



US00D632417S

(12) **United States Design Patent**
Berman

(10) **Patent No.:** **US D632,417 S**
(45) **Date of Patent:** **** Feb. 8, 2011**

(54) **RECESSED LIGHTING FOR METAL PATIO COVER**

(76) Inventor: **Daniel J Berman**, 840 S. Rochester Ave., Suite C, Ontario, CA (US) 91761

(**) Term: **14 Years**

(21) Appl. No.: **29/351,581**

(22) Filed: **Dec. 8, 2009**

(51) **LOC (9) Cl.** **26-05**

(52) **U.S. Cl.** **D26/74**

(58) **Field of Classification Search** D26/72,
D26/74, 75, 76, 77, 78, 79, 80, 81, 82, 83,
D26/84, 85, 86, 88, 89, 90, 91, 1, 2, 3, 24,
D26/56; D13/180, 182; 362/555, 576, 147,
362/150, 217.01, 219, 217.02, 217.03, 217.04,
362/217.05, 217.08, 217.09, 260, 364, 365,
362/366, 404, 800

See application file for complete search history.

(56) **References Cited**

U.S. PATENT DOCUMENTS

D166,034 S * 2/1952 Gray D26/85
D270,377 S * 8/1983 Maguire D26/75
5,109,645 A 5/1992 Bucci
(Continued)

Primary Examiner—Angela J Lee

(74) *Attorney, Agent, or Firm*—Kirk A. Buhler; Buhler & Associates

(57) **CLAIM**

The ornamental design for a recessed lighting for metal patio cover, as shown and described.

DESCRIPTION

FIG. 1 is a bottom perspective view for a recessed lighting for metal patio covers from the embodiment shown in FIGS. 18-20 showing my new design shown in an environment of use;

FIG. 2 is a bottom perspective view showing a detailed view of the light feature that is enlarged from bounded area 2 from FIG. 1 shown in an environment of use thereof;

FIG. 3 is a bottom view of a first length thereof;

FIG. 4 is a top view of a first length thereof;

FIG. 5 is a right side view of a first length thereof, the left side view being a mirror image thereof;

FIG. 6 is a bottom view of a second length thereof;

FIG. 7 is a top view of a second length thereof;

FIG. 8 is a right side view of a second length thereof, the left side view being a mirror image thereof;

FIG. 9 is a bottom view of a third length thereof;

FIG. 10 is a top view of a third length thereof;

FIG. 11 is a right side view of a third length thereof, the left side view being a mirror image thereof;

FIG. 12 is a bottom view of a fourth length thereof;

FIG. 13 is a top view of a fourth length thereof;

FIG. 14 is a right side view of a fourth length thereof, the left side view being a mirror image thereof;

FIG. 15 is a bottom view of a fifth length thereof;

FIG. 16 is a top view of a fifth length thereof;

FIG. 17 is a right side view of a fifth length thereof, the left side view being a mirror image thereof;

FIG. 18 is a bottom view of a sixth length thereof;

FIG. 19 is a top view of a sixth length thereof;

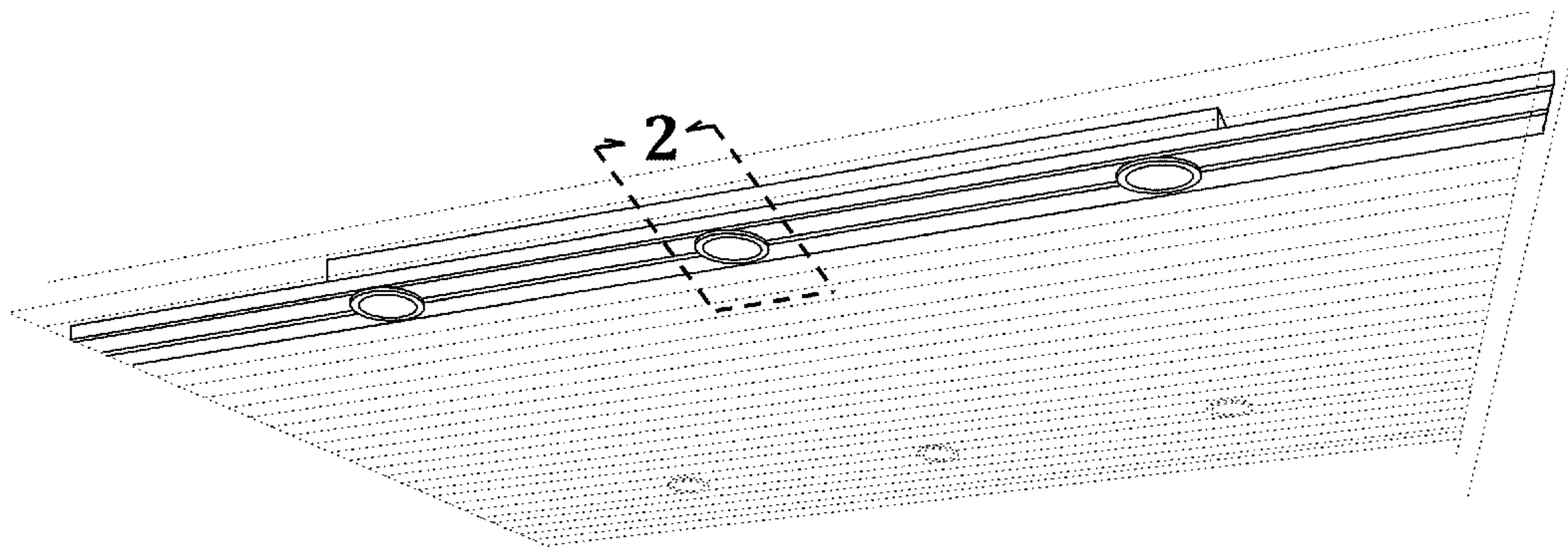
FIG. 20 is a right side view of a sixth length thereof, the left side view being a mirror image thereof;

FIG. 21 is a front side view, cut from section 21—21 in FIG. 19, the rear view being a mirror image thereof; and,

FIG. 22 is a front cross sectional perspective view cut from section 22—22 in FIG. 19 near a lighting element.

The broken lines in FIGS. 1, 2, 21 and 22 depict environmental subject matter only and form no part of the claimed design.

1 Claim, 5 Drawing Sheets



US D632,417 S

Page 2

U.S. PATENT DOCUMENTS

D359,374 S *	6/1995	Weinstock	D26/80	D580,087 S *	11/2008	Couture et al.	D26/76
D374,736 S *	10/1996	DeWinter	D26/72	D595,887 S *	7/2009	Blom	D26/76
D397,486 S *	8/1998	Engle et al.	D26/87	D603,549 S *	11/2009	Ng	D26/80
6,006,489 A	12/1999	Zadok		D605,787 S *	12/2009	Barton et al.	D26/3
D563,012 S *	2/2008	Citterio	D26/63	D606,229 S *	12/2009	Johansen et al.	D26/80
D567,985 S *	4/2008	Komar et al.	D26/84	2008/0174993 A1 *	7/2008	Hsieh et al.	362/217

* cited by examiner

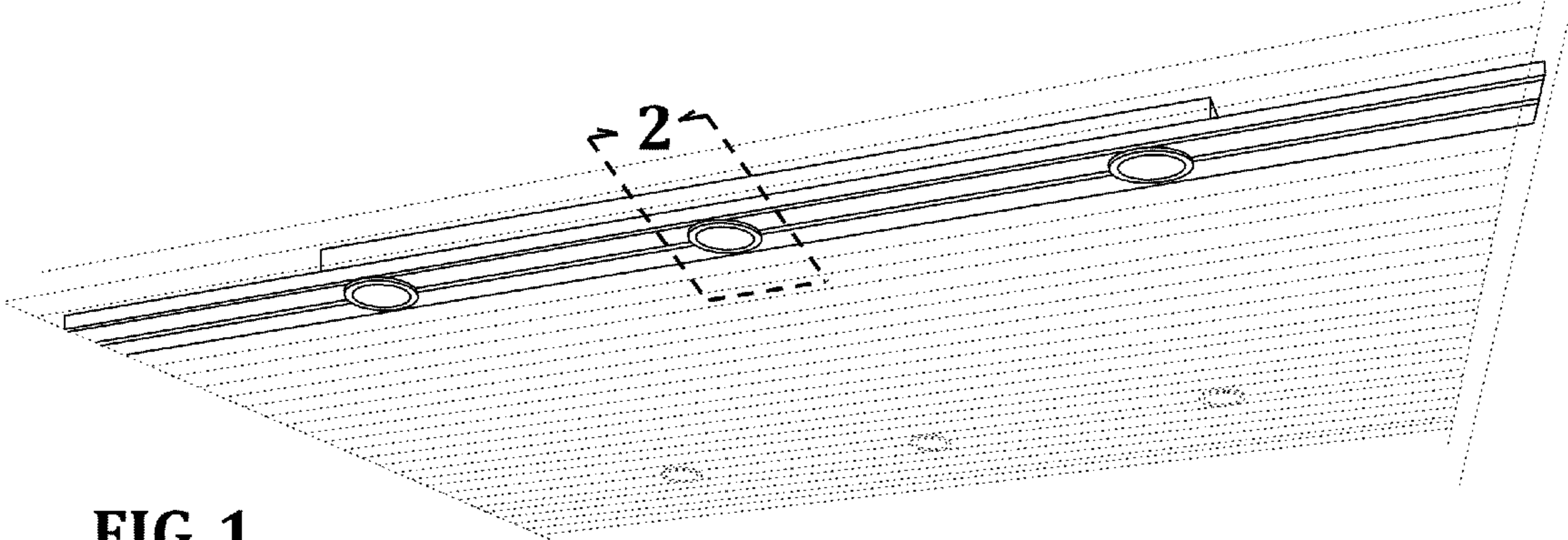


FIG. 1

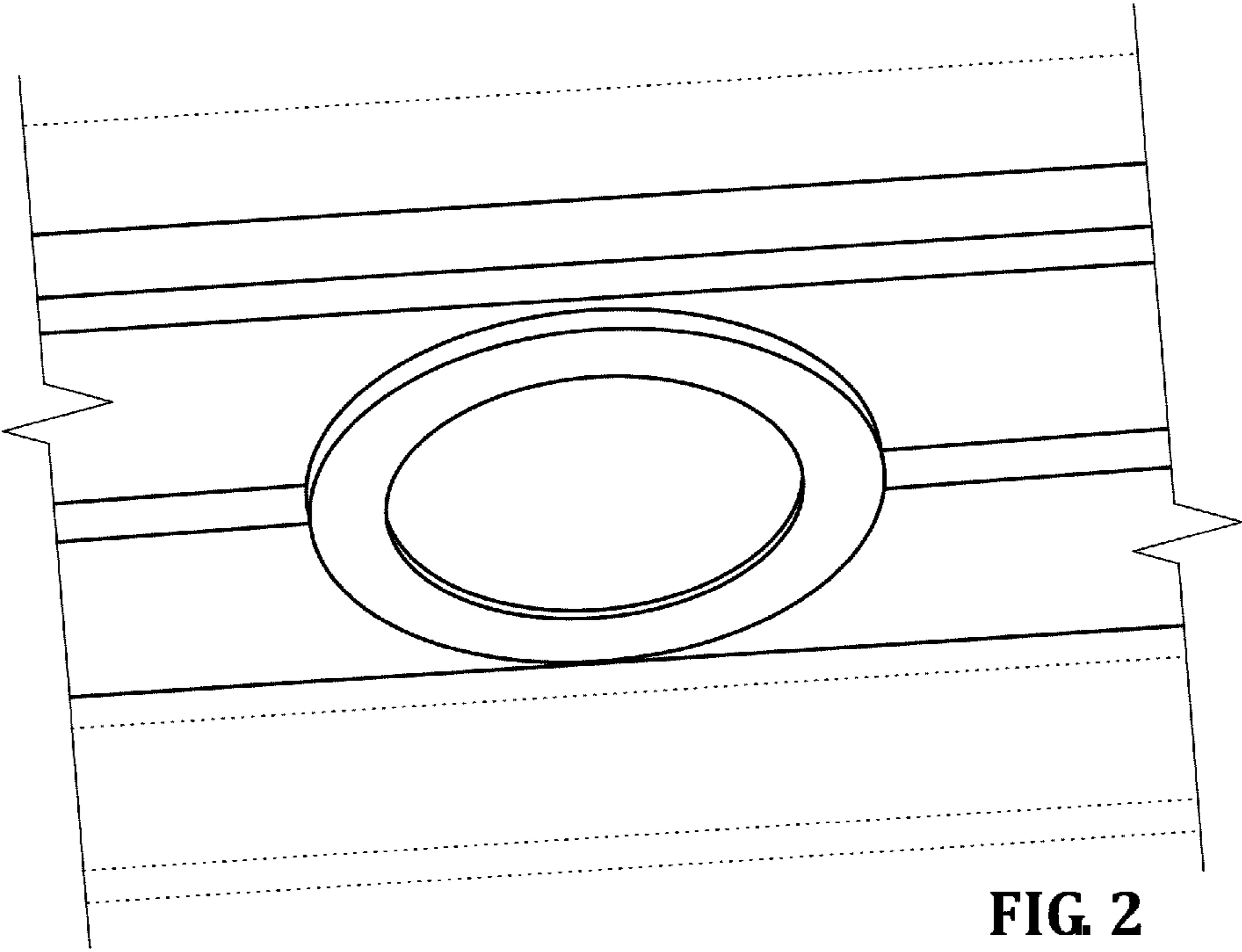


FIG. 2

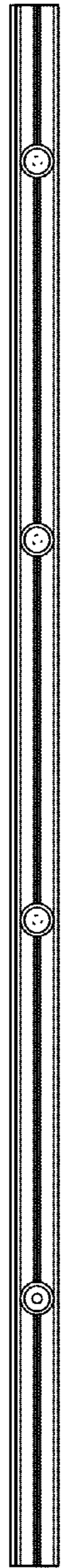


FIG. 3

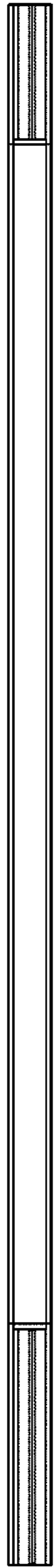


FIG. 4

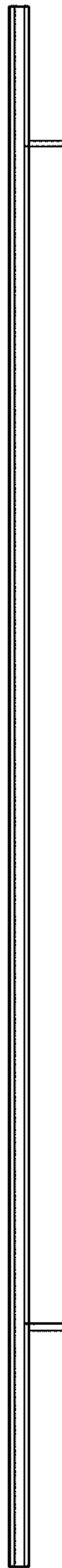


FIG. 5



FIG. 6



FIG. 7

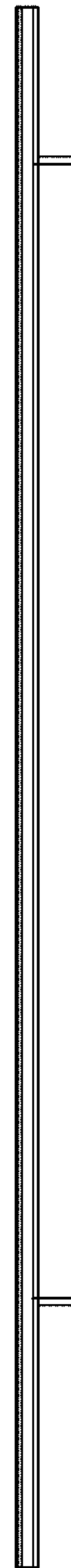


FIG. 8

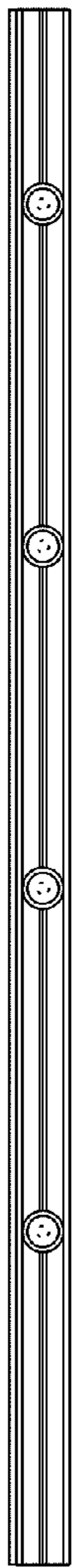


FIG. 9

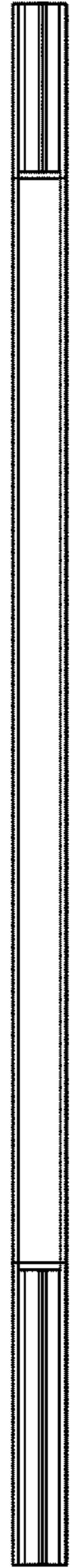


FIG. 10

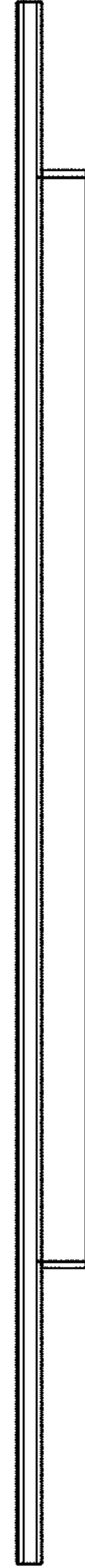


FIG. 11



FIG. 12



FIG. 13

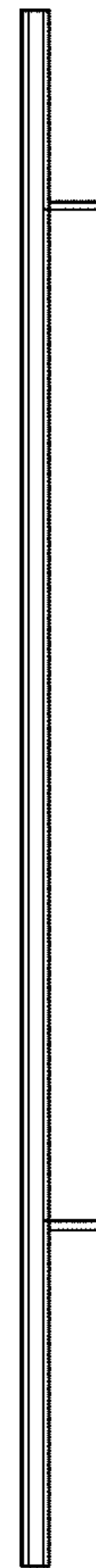


FIG. 14



FIG. 15



FIG. 16

FIG. 17

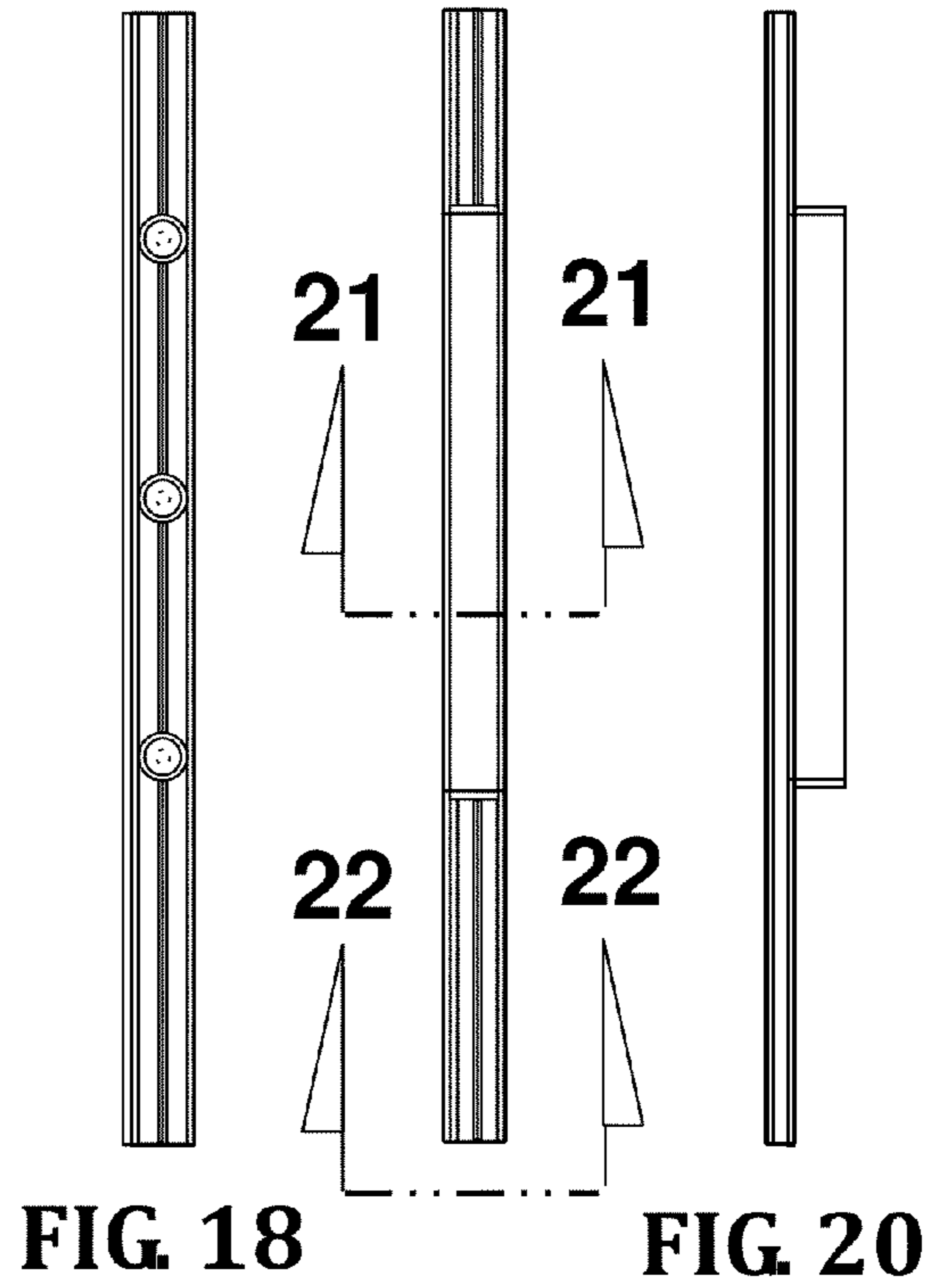
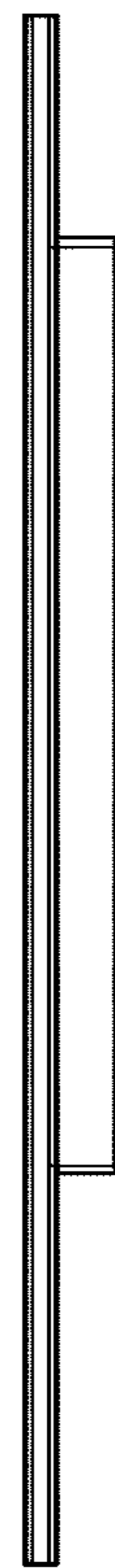


FIG. 18

FIG. 20

FIG. 19

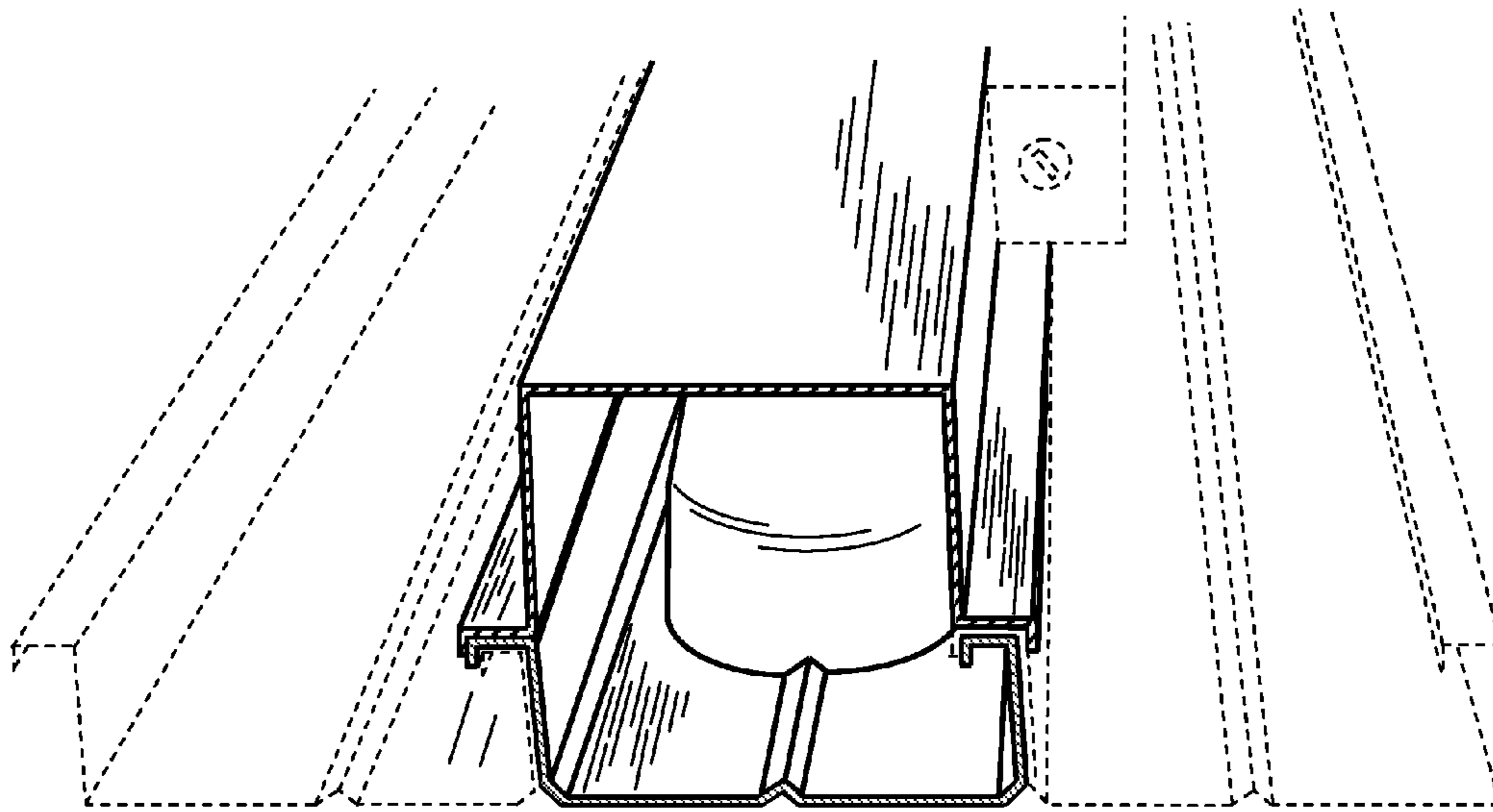


FIG. 21

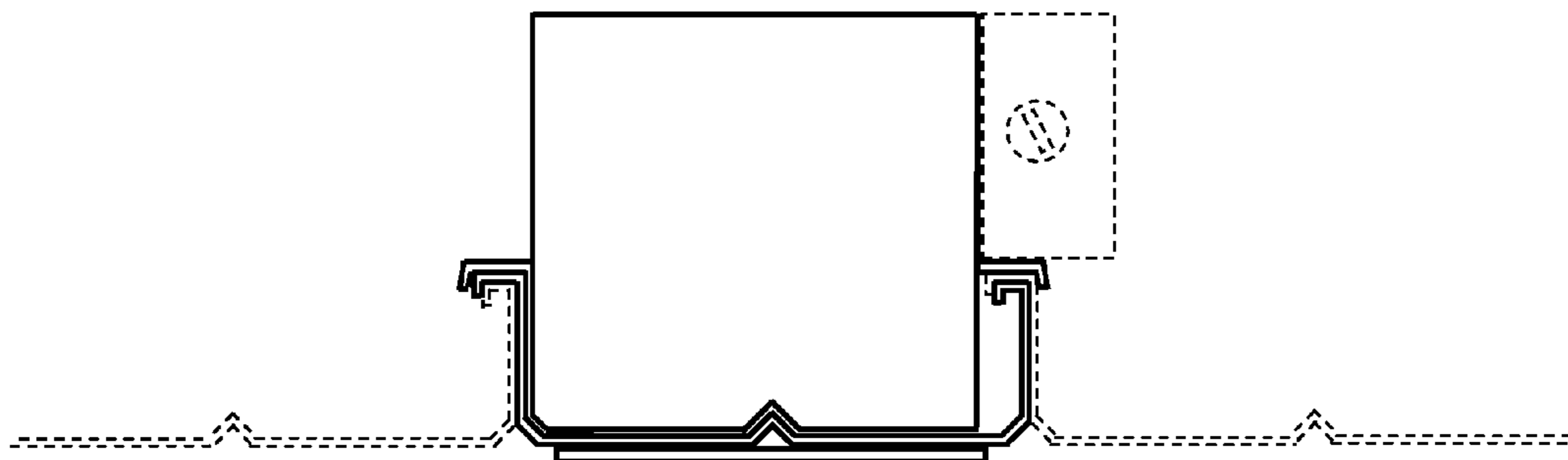


FIG. 22