



US00D632414S

(12) **United States Design Patent**  
**Croce**

(10) **Patent No.:** **US D632,414 S**

(45) **Date of Patent:** **\*\* Feb. 8, 2011**

(54) **OUTDOOR LIGHTING FIXTURE**

D589,636 S \* 3/2009 Pinette ..... D26/63

(75) Inventor: **Riccardo Croce**, Caprie (IT)

\* cited by examiner

(73) Assignee: **Schreder, S.A.**, Brussels (BE)

*Primary Examiner*—Philip S Hyder  
*Assistant Examiner*—Linda G. Brooks

(\*\*) Term: **14 Years**

(74) *Attorney, Agent, or Firm*—Kirschstein, et al.

(21) Appl. No.: **29/346,281**

(57) **CLAIM**

(22) Filed: **Oct. 29, 2009**

The ornamental design for an outdoor lighting fixture, as shown and described.

(30) **Foreign Application Priority Data**

Apr. 30, 2009 (EM) ..... 001133037-0001

**DESCRIPTION**

(51) **LOC (9) Cl.** ..... **26-05**

FIG. 1 is a perspective view of an outdoor lighting fixture according to my new design;

(52) **U.S. Cl.** ..... **D26/63; D26/71**

FIG. 2 is a top plan view thereof;

(58) **Field of Classification Search** ..... D26/62–71,

FIG. 3 is a front elevational view thereof;

D26/93; 362/153, 153.1, 431, 269–271,

FIG. 4 is a left side elevational view thereof;

362/277, 278, 287, 289, 427, 187, 188, 152  
See application file for complete search history.

FIG. 5 is a right side elevational view thereof;

(56) **References Cited**

FIG. 6 is a rear elevational view thereof; and,

**U.S. PATENT DOCUMENTS**

FIG. 7 is a bottom plan view thereof.

4,390,929 A \* 6/1983 La Fiandra ..... 362/216

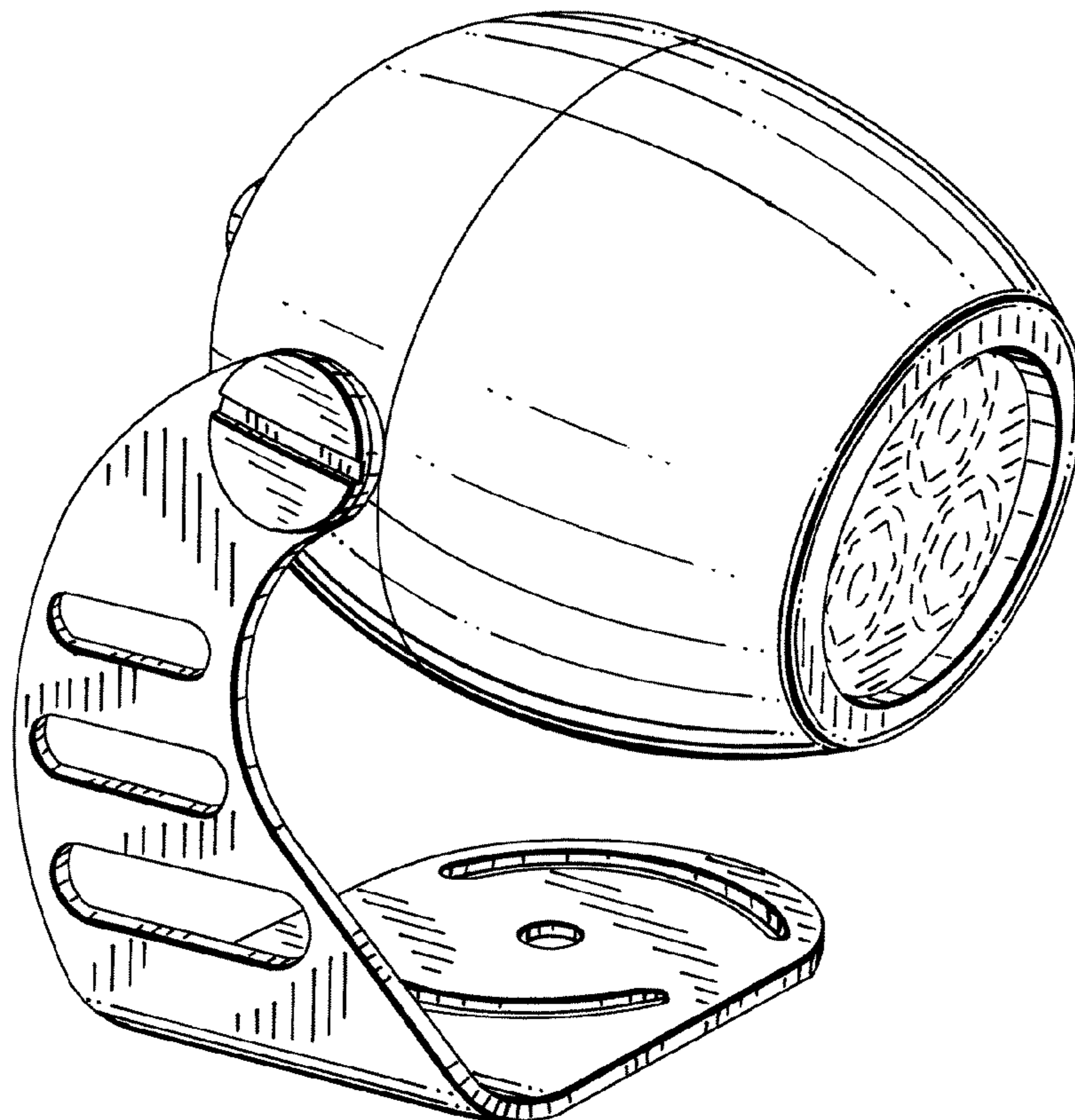
The dashed lines throughout the views are for environmental purposes only and form no part of the present invention.

4,480,809 A \* 11/1984 Healey ..... 248/185.1

D407,518 S \* 3/1999 Yeh ..... D26/63

D427,696 S \* 7/2000 Scott et al. .... D26/28

**1 Claim, 4 Drawing Sheets**



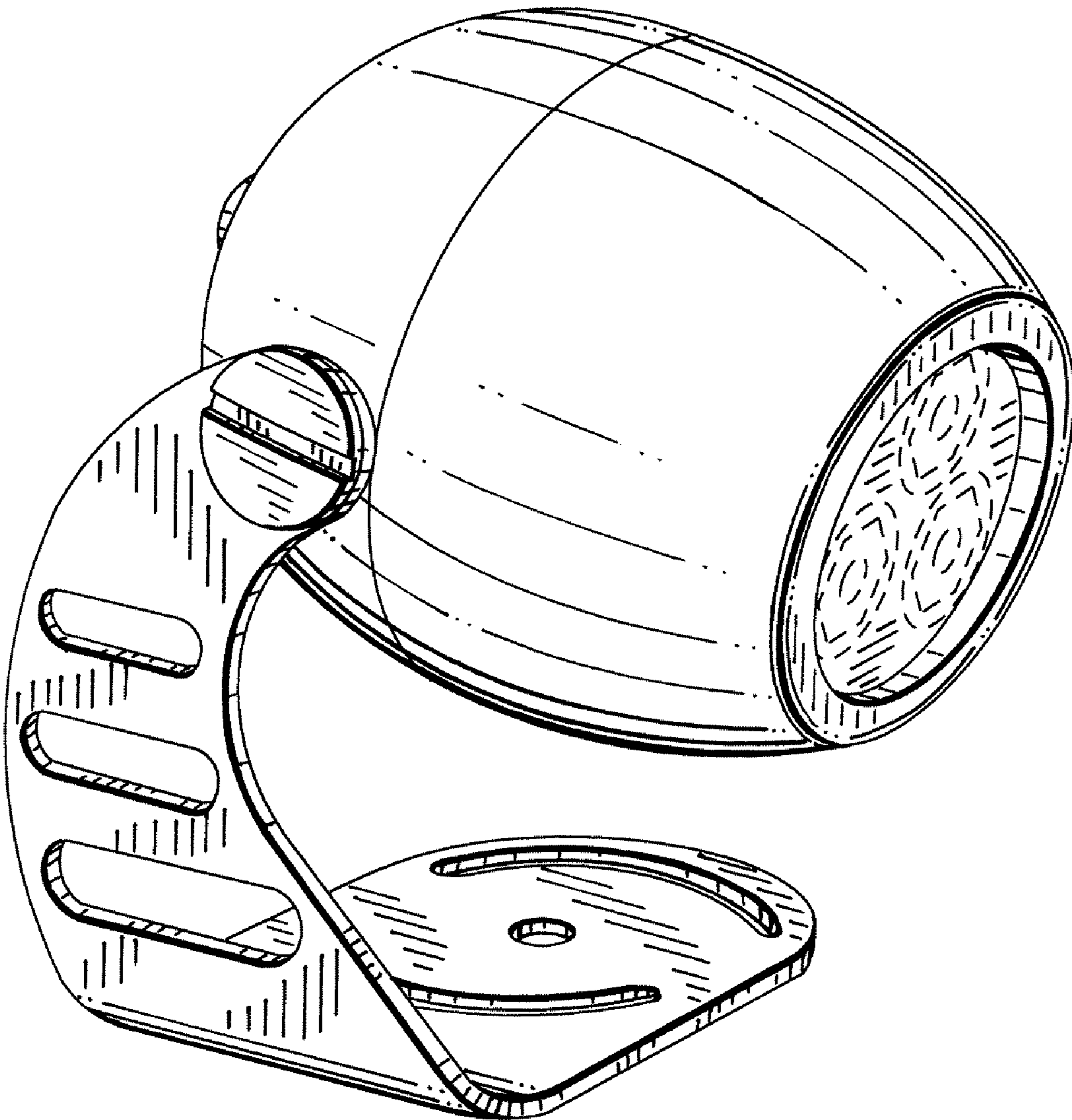


FIG. 1

FIG. 2

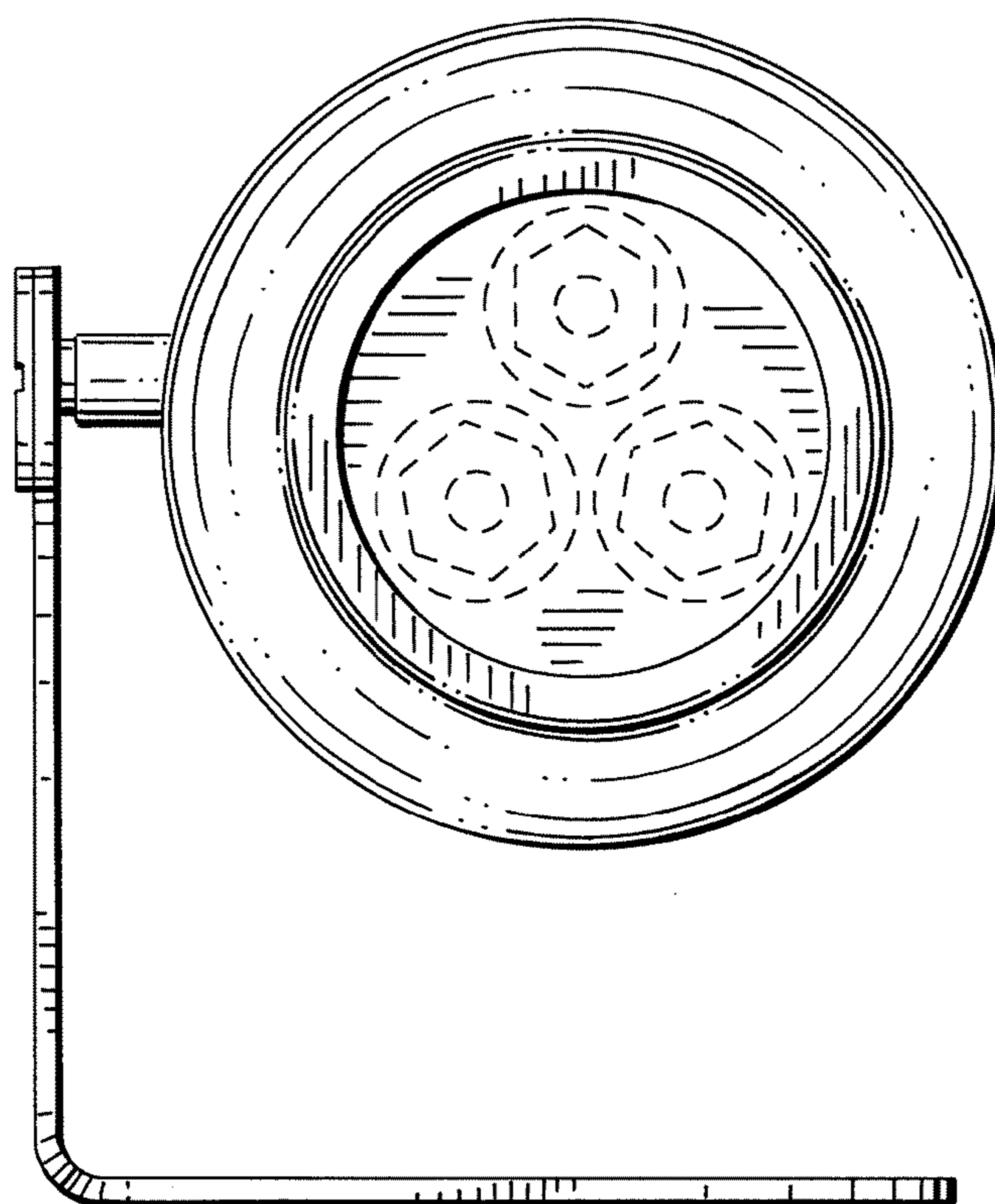
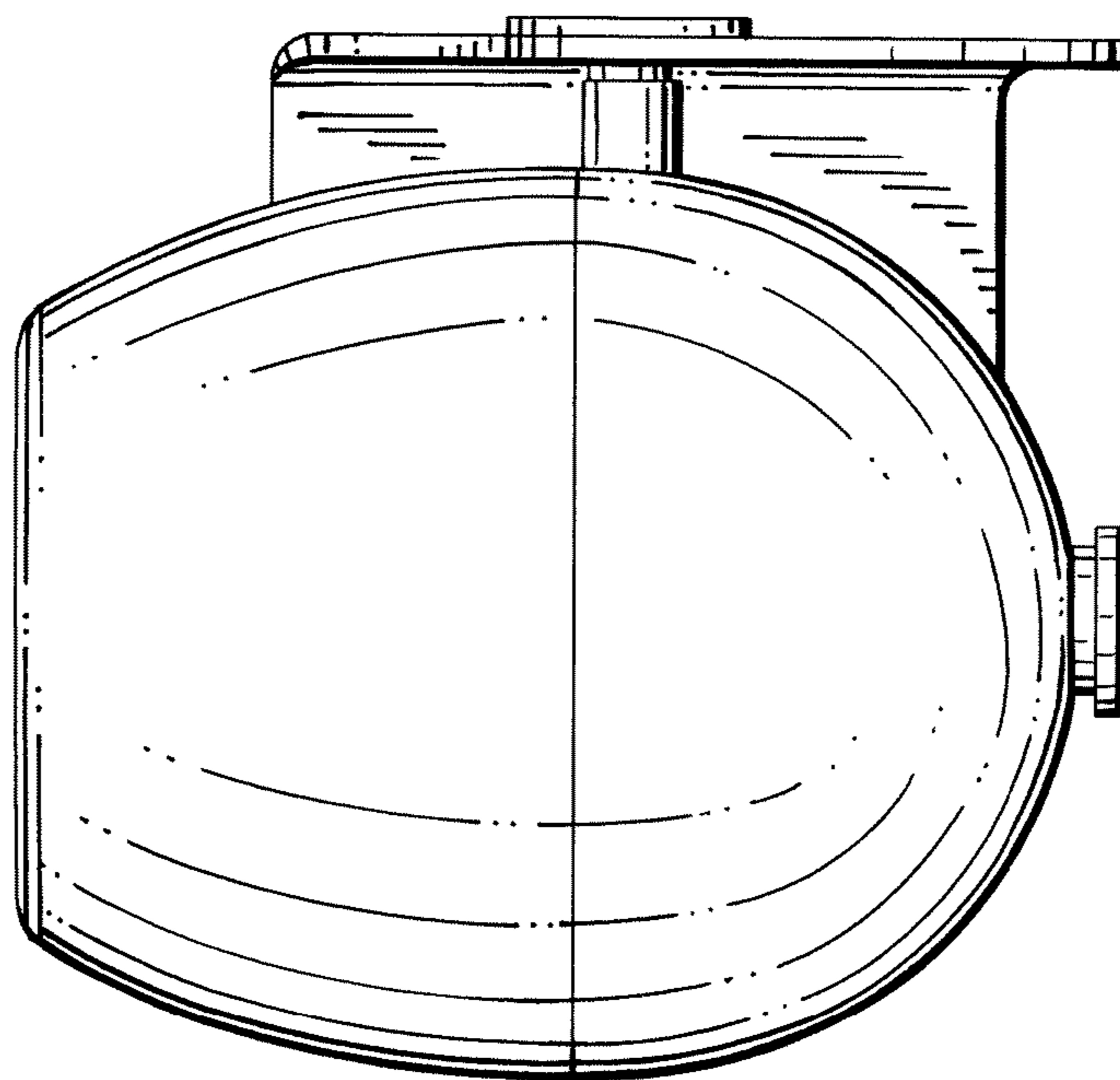


FIG. 3

FIG. 4

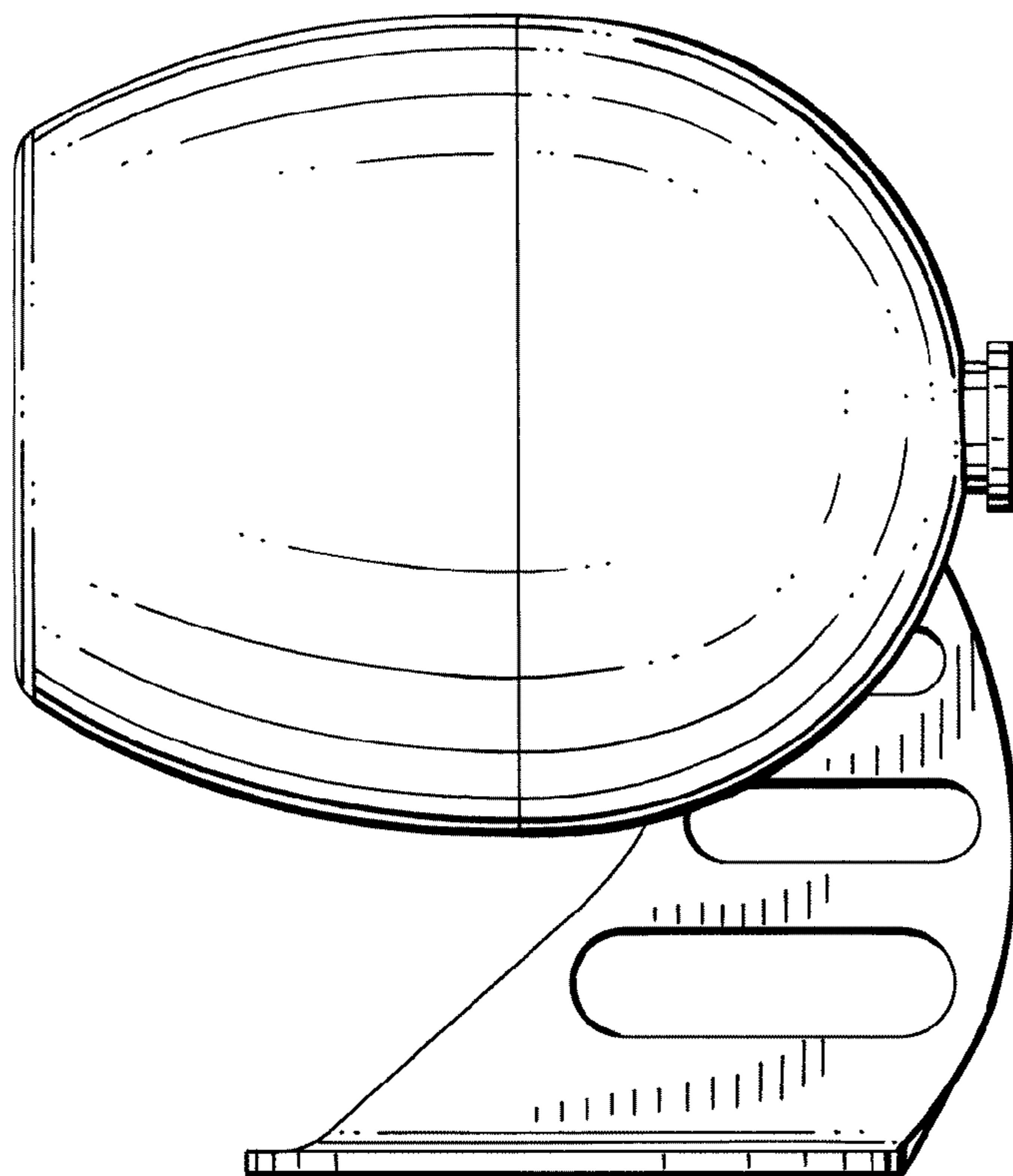
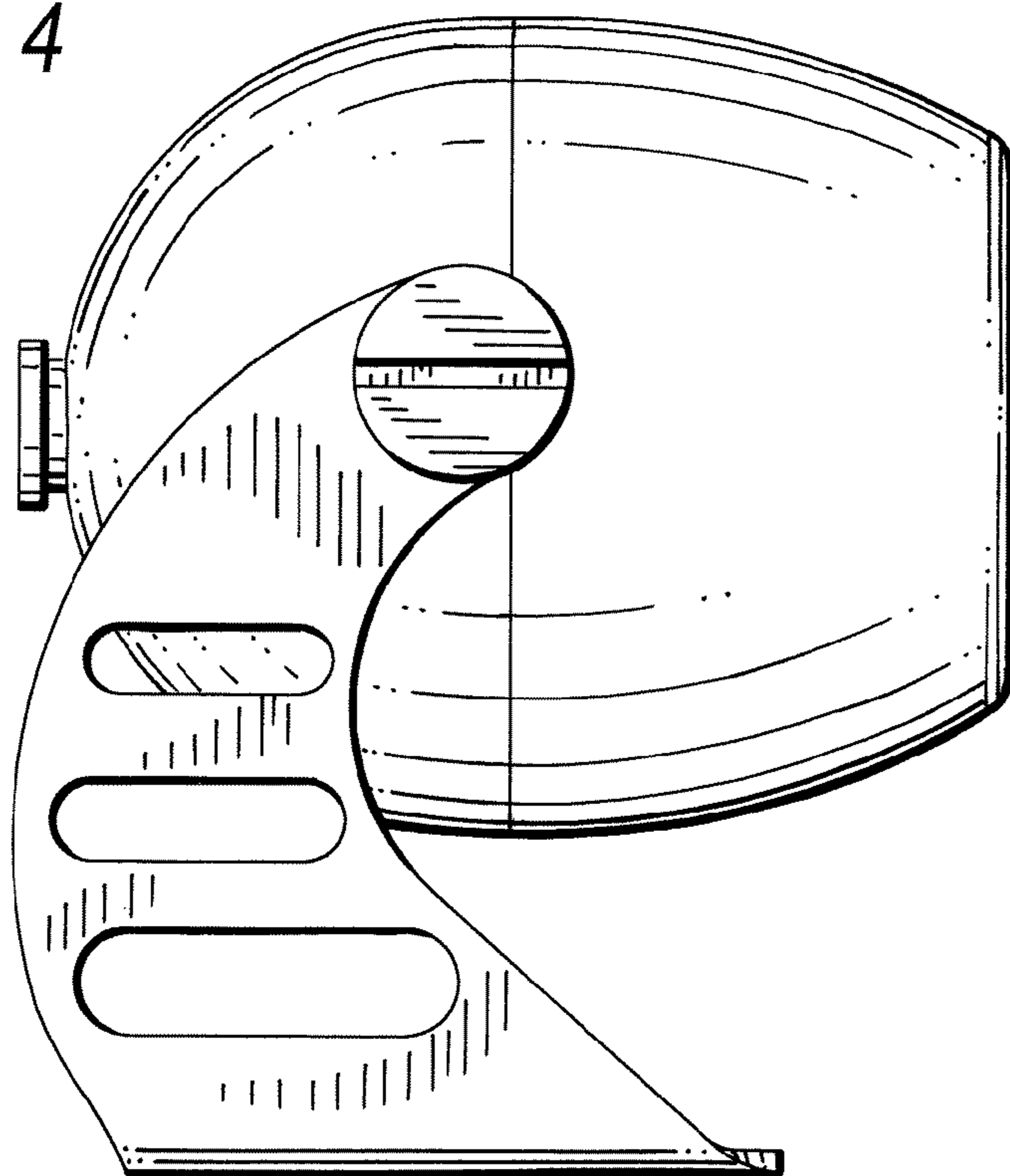


FIG. 5

FIG. 6

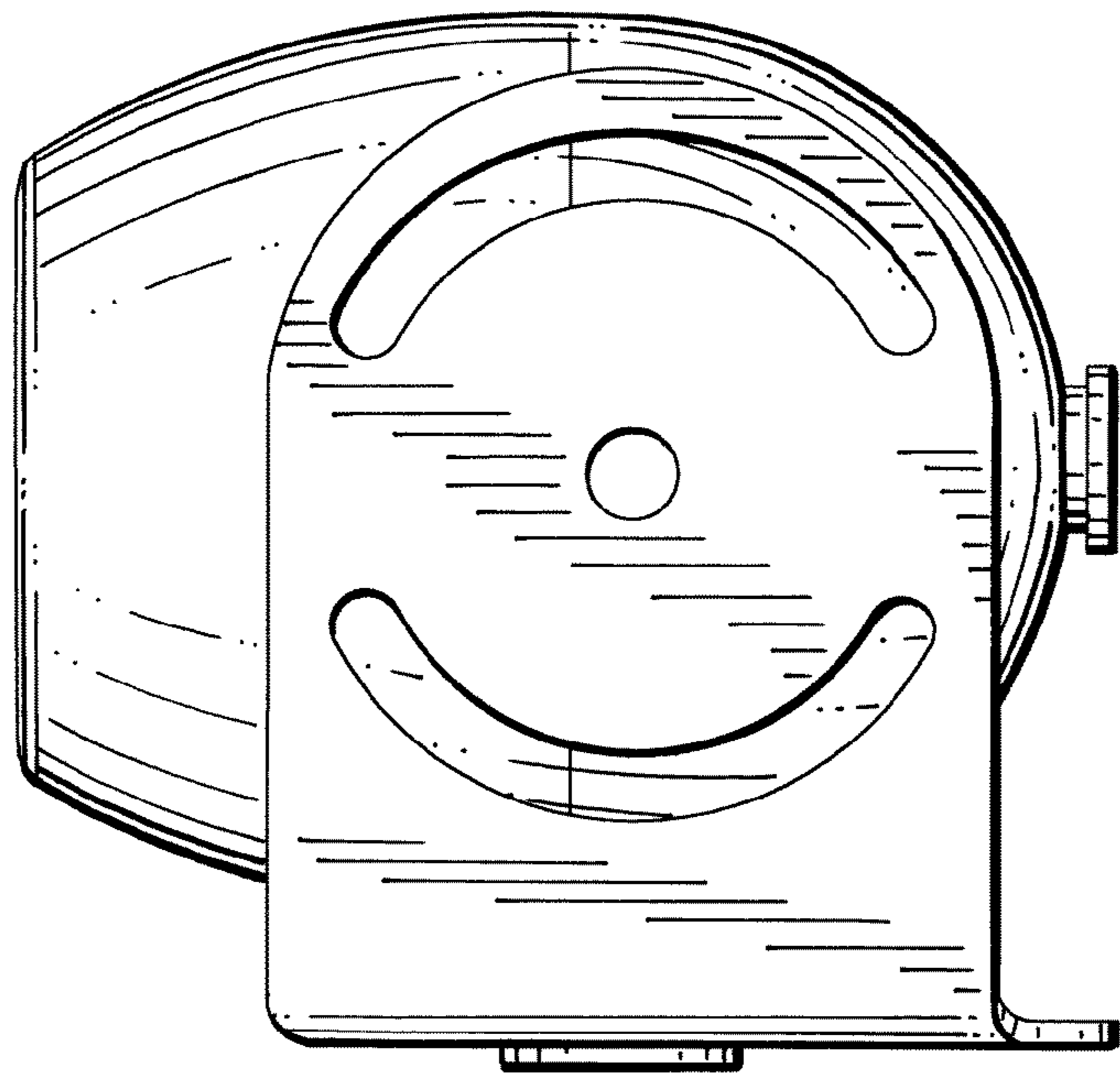
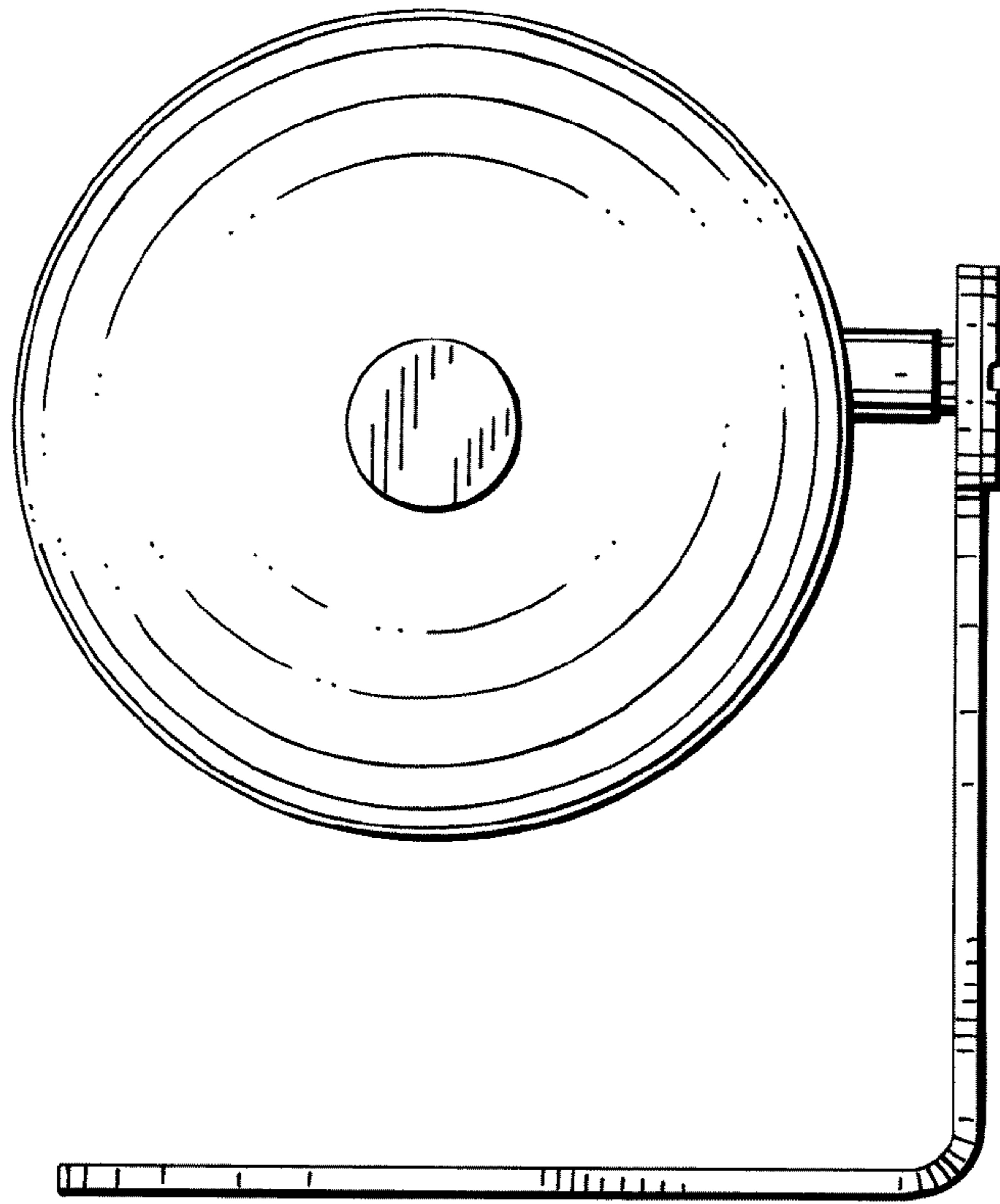


FIG. 7