



US00D632413S

(12) **United States Design Patent**
Teufel et al.

(10) **Patent No.:** **US D632,413 S**
(45) **Date of Patent:** **** Feb. 8, 2011**

(54) **LIGHT FOR EXAMINATIONS AND PROCEDURES**

DESCRIPTION

- (75) Inventors: **Rainer B. Teufel**, Worthington, OH (US); **Ryan R. Berger**, Columbus, OH (US)
- (73) Assignee: **Midmark Corporation**, Versailles, OH (US)
- (**) Term: **14 Years**
- (21) Appl. No.: **29/354,019**
- (22) Filed: **Jan. 19, 2010**
- (51) **LOC (9) Cl.** **26-05**
- (52) **U.S. Cl.** **D26/62**
- (58) **Field of Classification Search** D26/61-66, D26/60, 51; 362/572-575, 33, 804, 189-191, 362/198, 277-287; D24/137, 209, 210
See application file for complete search history.

(56) **References Cited**

U.S. PATENT DOCUMENTS

4,597,030	A *	6/1986	Brody et al.	362/572
D297,056	S *	8/1988	Sestak	D26/65
5,003,434	A *	3/1991	Gonser et al.	362/572
6,280,050	B1 *	8/2001	Bird et al.	362/198
D458,680	S *	6/2002	Engler	D24/135
D518,212	S *	3/2006	Shiu	D26/43

(Continued)

Primary Examiner—Philip S Hyder
Assistant Examiner—Linda G. Brooks
(74) *Attorney, Agent, or Firm*—Wood, Herron & Evans, LLP

(57) **CLAIM**

We claim the ornamental design for a light for examinations and procedures, as shown and described.

FIG. 1 is a perspective view of the light for examinations and procedures design of the present invention.

FIG. 2 is a front view of the light for examinations and procedures in FIG. 1.

FIG. 3 is a rear view of the light for examinations and procedures in FIG. 1.

FIG. 4 is a side view of the light for examinations and procedures in FIG. 1.

FIG. 5 is another side view of the light for examinations and procedures in FIG. 1.

FIG. 6 is a top view of the light for examinations and procedures in FIG. 1.

FIG. 7 is a bottom view of the light for examinations and procedures in FIG. 1.

FIG. 8 is an enlarged detailed perspective view of the lamp head of the light for examinations and procedures in FIG. 1.

FIG. 9 is a detailed front view of the lamp head of the light for examinations and procedures in FIG. 8.

FIG. 10 is a detailed side view of the lamp head of the light for examinations and procedures in FIG. 8.

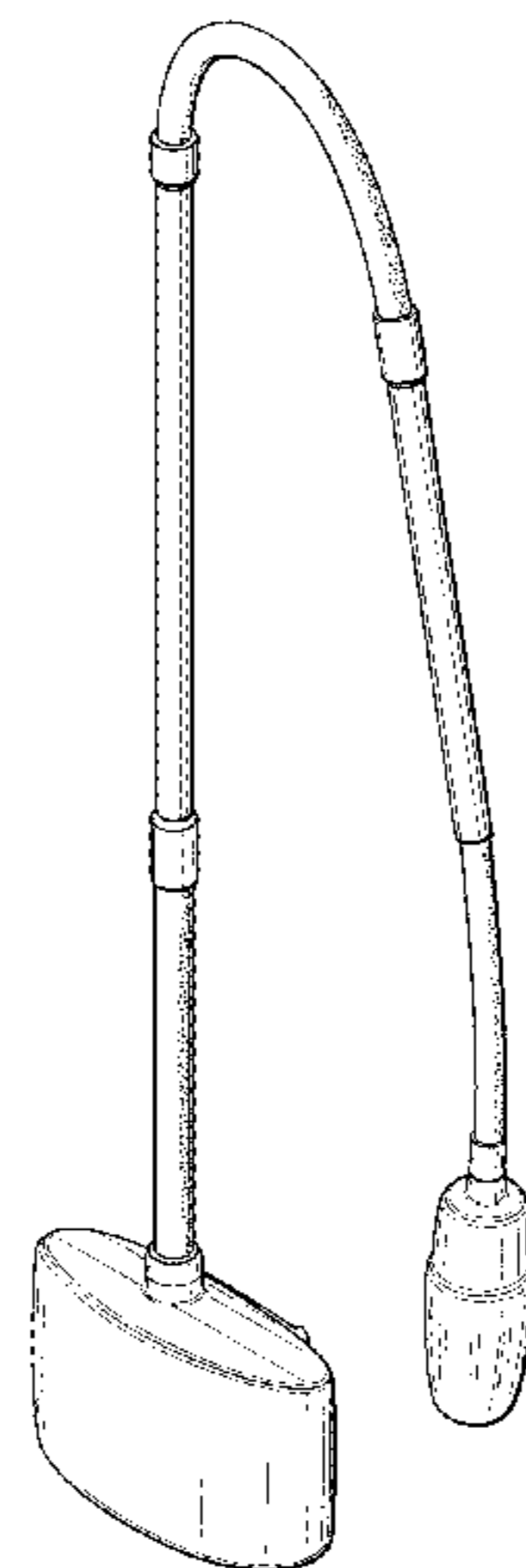
FIG. 11 is a detailed rear view of the lamp head of the light for examinations and procedures in FIG. 8.

FIG. 12 is a detailed top view of the lamp head of the light for examinations and procedures in FIG. 8; and,

FIG. 13 is a detailed bottom view of the lamp head of the light for examinations and procedures in FIG. 8.

The broken lines (dot and dashed) shown in FIGS. 1, 2, 3, 4, 5, 7, 8, 9, 10, 12 and 13 are for the purpose of illustrating portions of the article that form no part of the claimed design. The broken lines (dashed only) in FIGS. 8, 9 and 11 are boundary lines and form no part of the claimed design.

1 Claim, 10 Drawing Sheets



US D632,413 S

Page 2

U.S. PATENT DOCUMENTS

D531,339 S *	10/2006	Lee et al.	D26/60	D590,978 S *	4/2009	Wang et al.	D26/63
D536,116 S *	1/2007	Sharrah	D26/43	2004/0090776 A1 *	5/2004	Yang	362/189
7,270,439 B2 *	9/2007	Horrell et al.	362/119	2010/0030033 A1 *	2/2010	Farley et al.	600/249

* cited by examiner

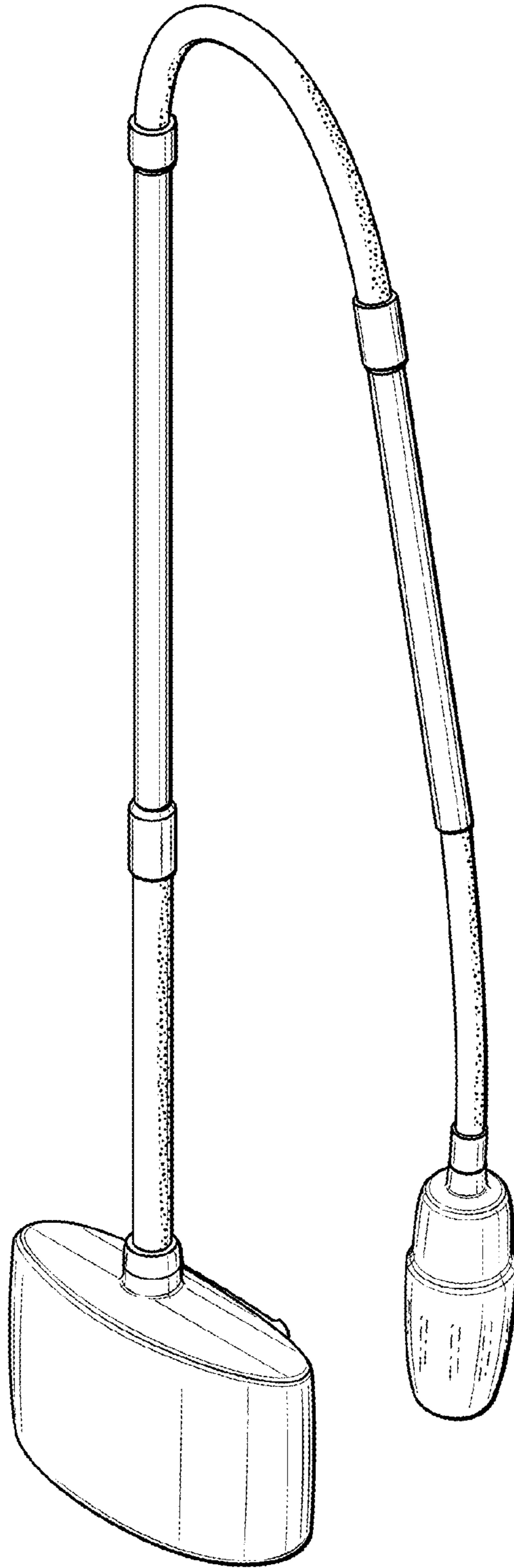


FIG. 1

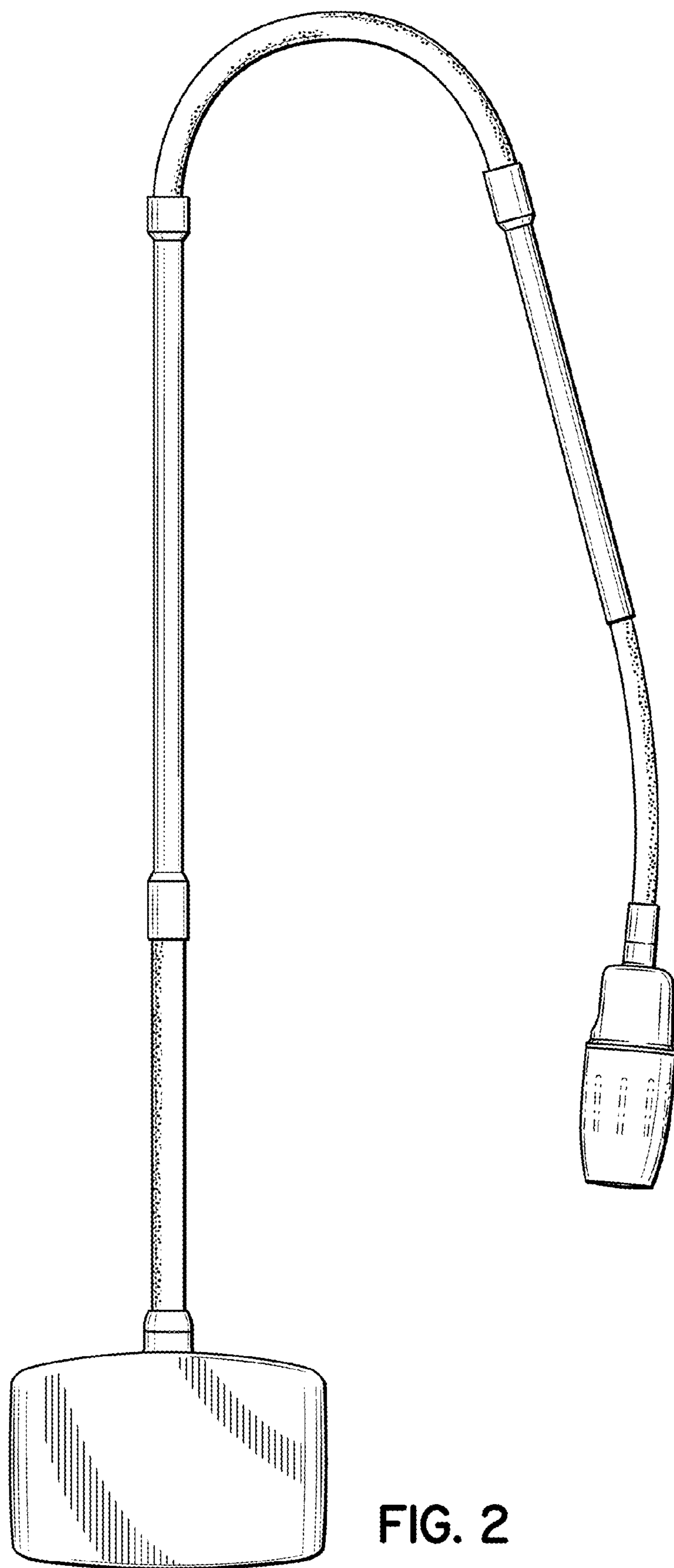


FIG. 2

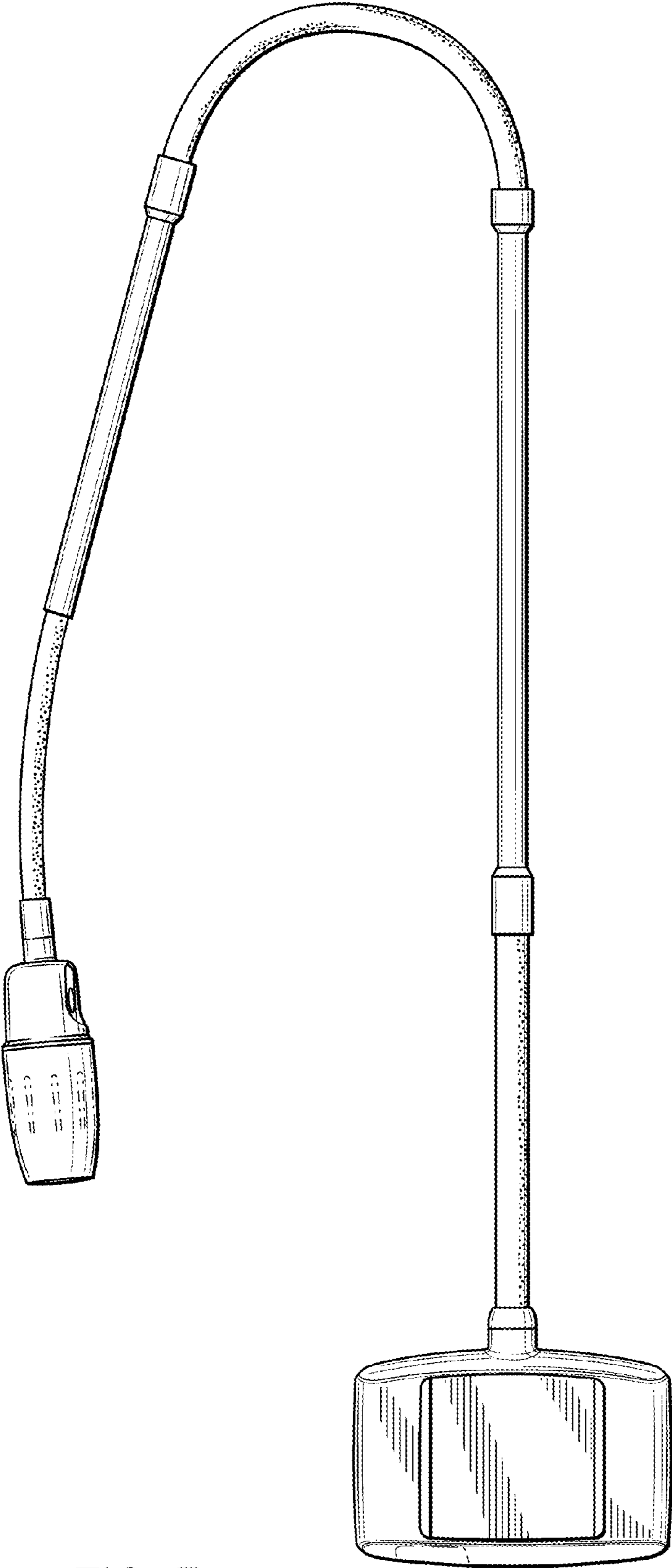


FIG. 3

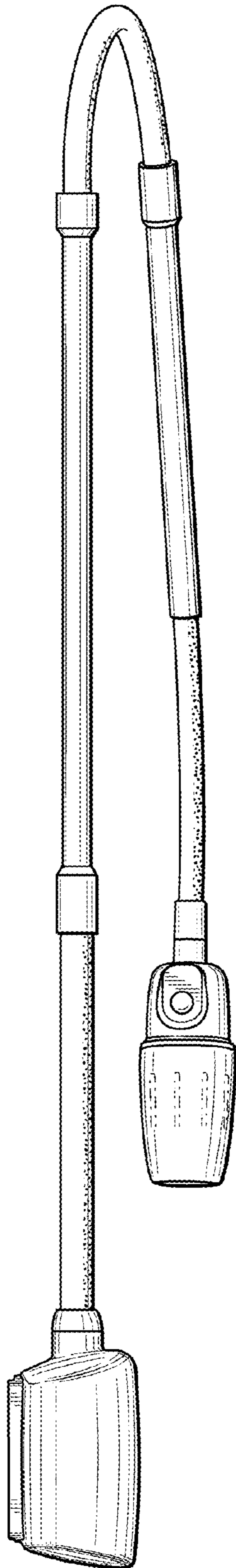


FIG. 4

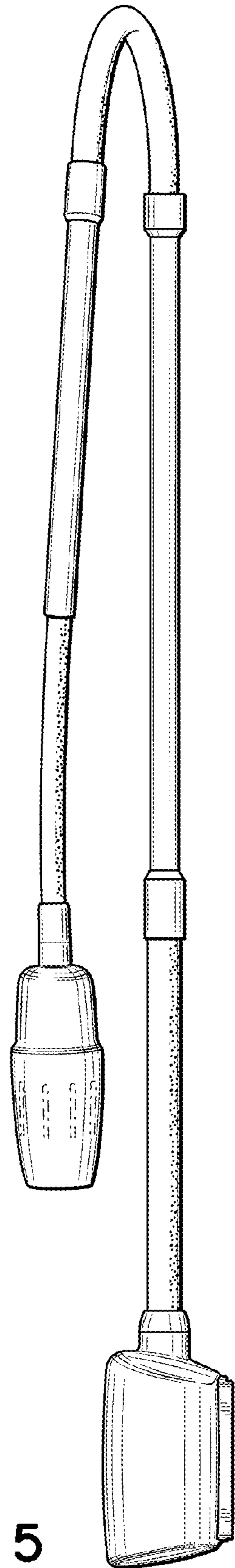


FIG. 5

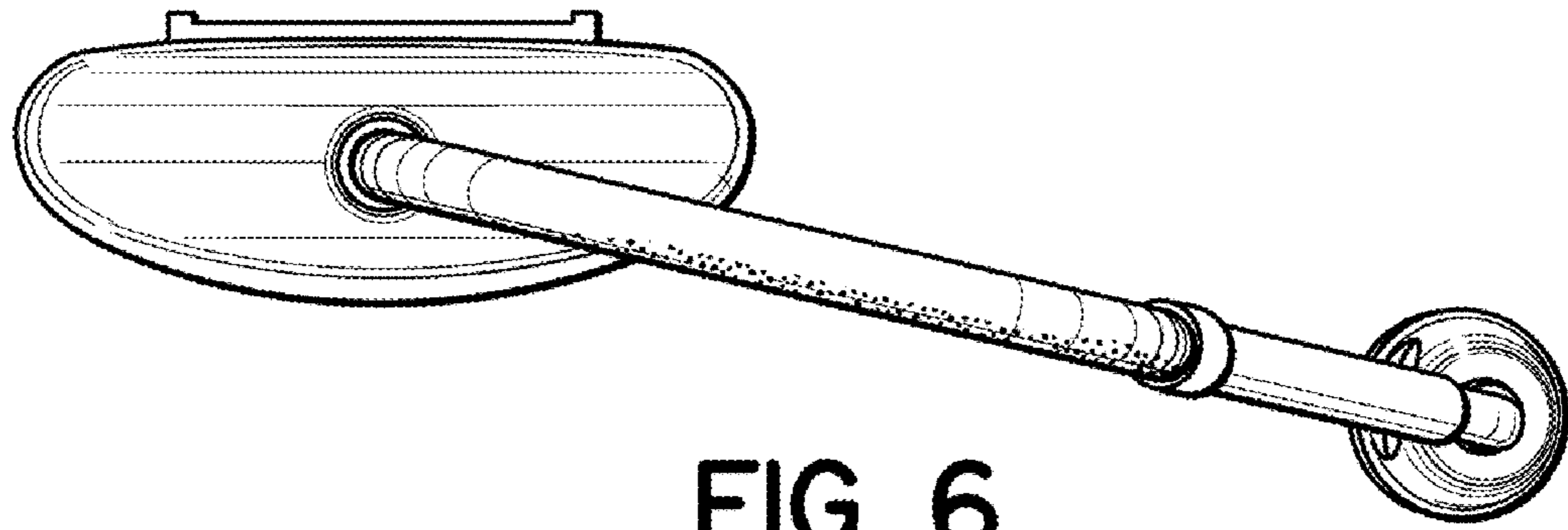


FIG. 6

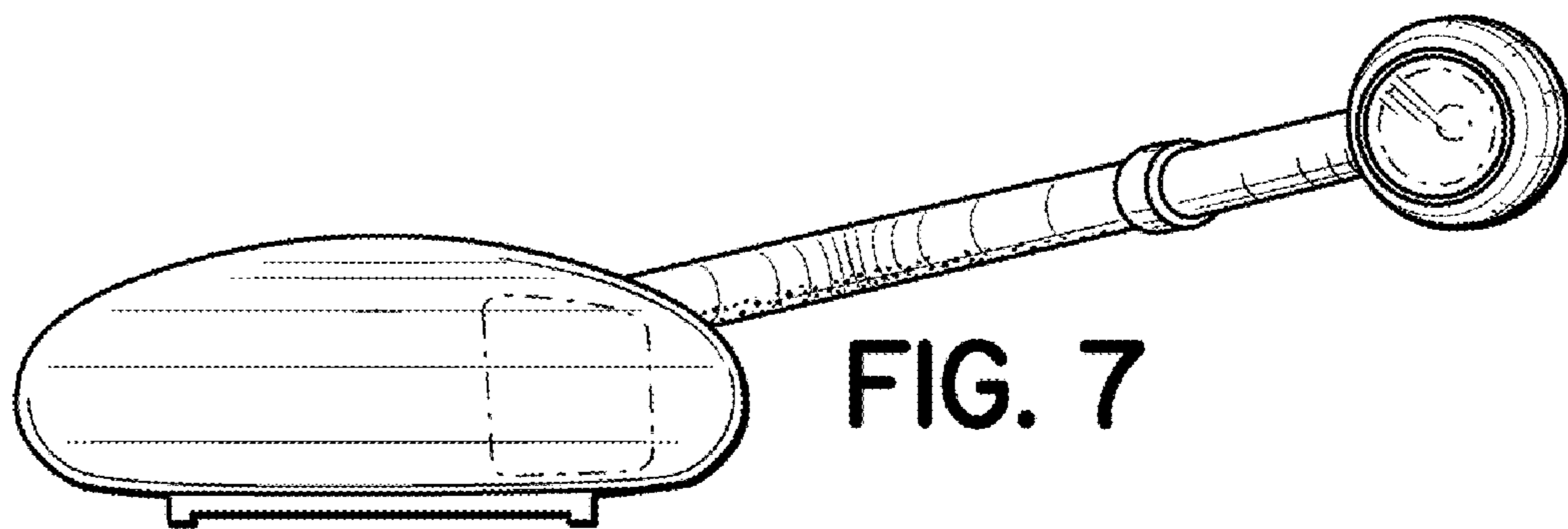


FIG. 7

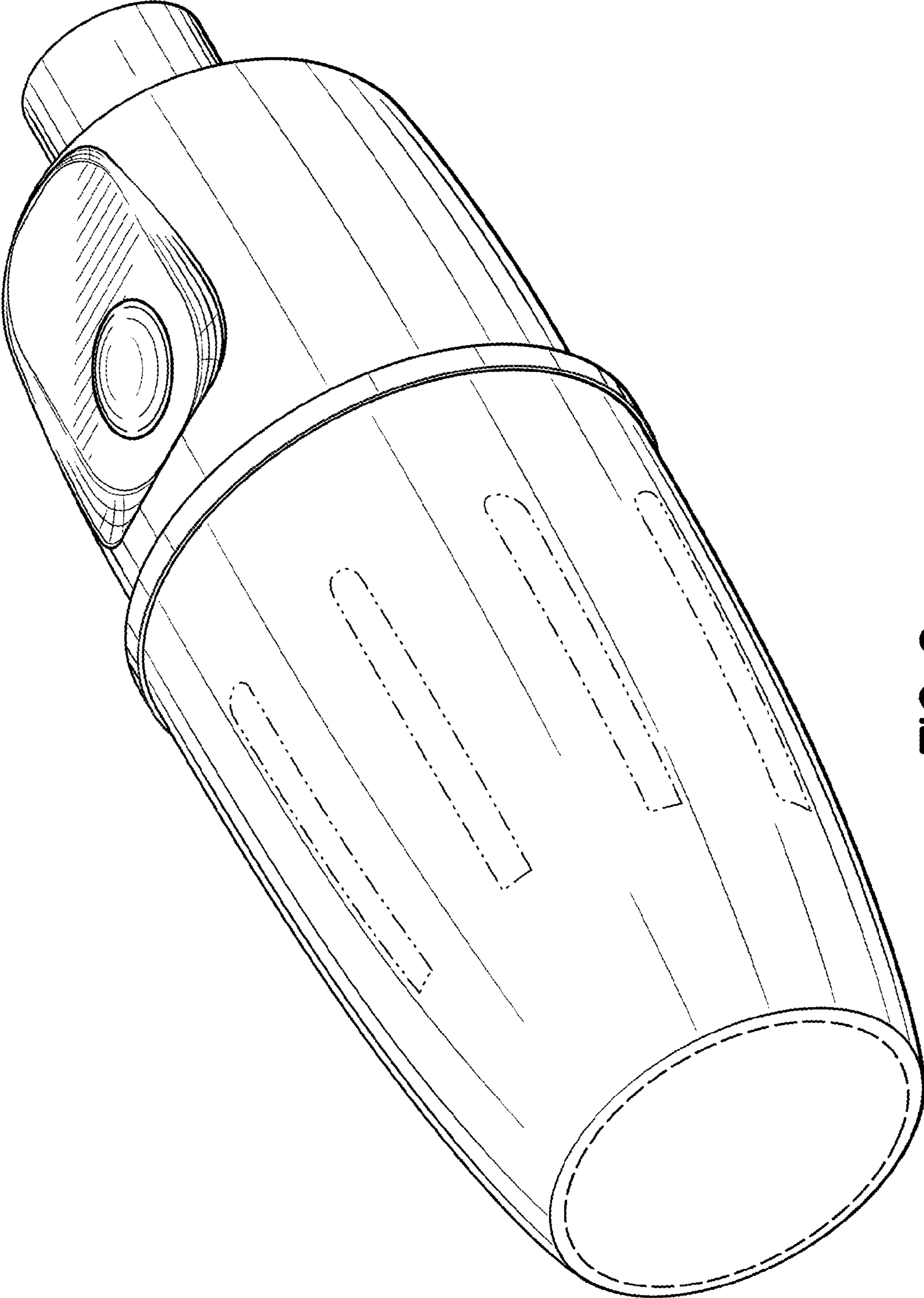


FIG. 8

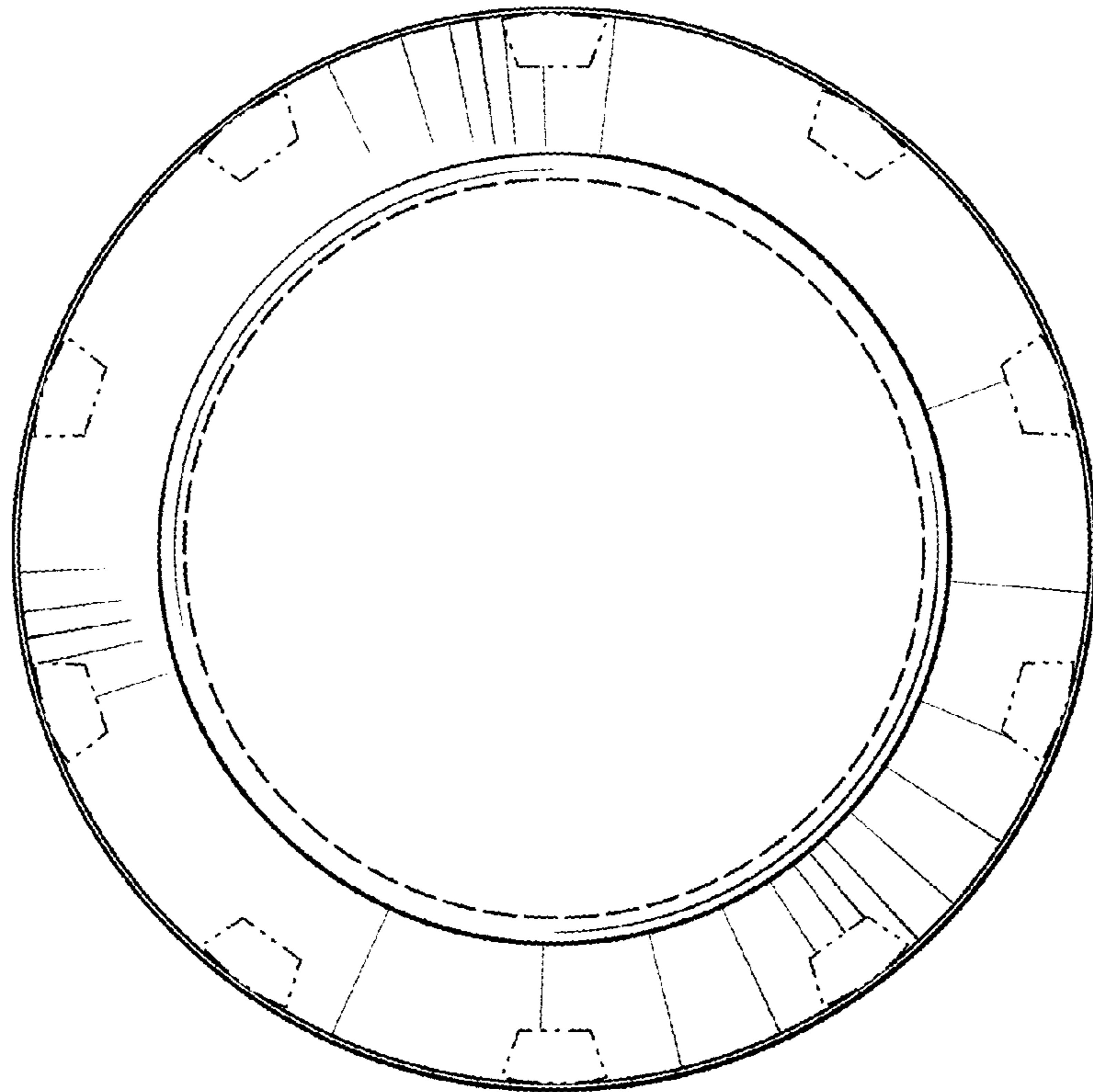


FIG. 9

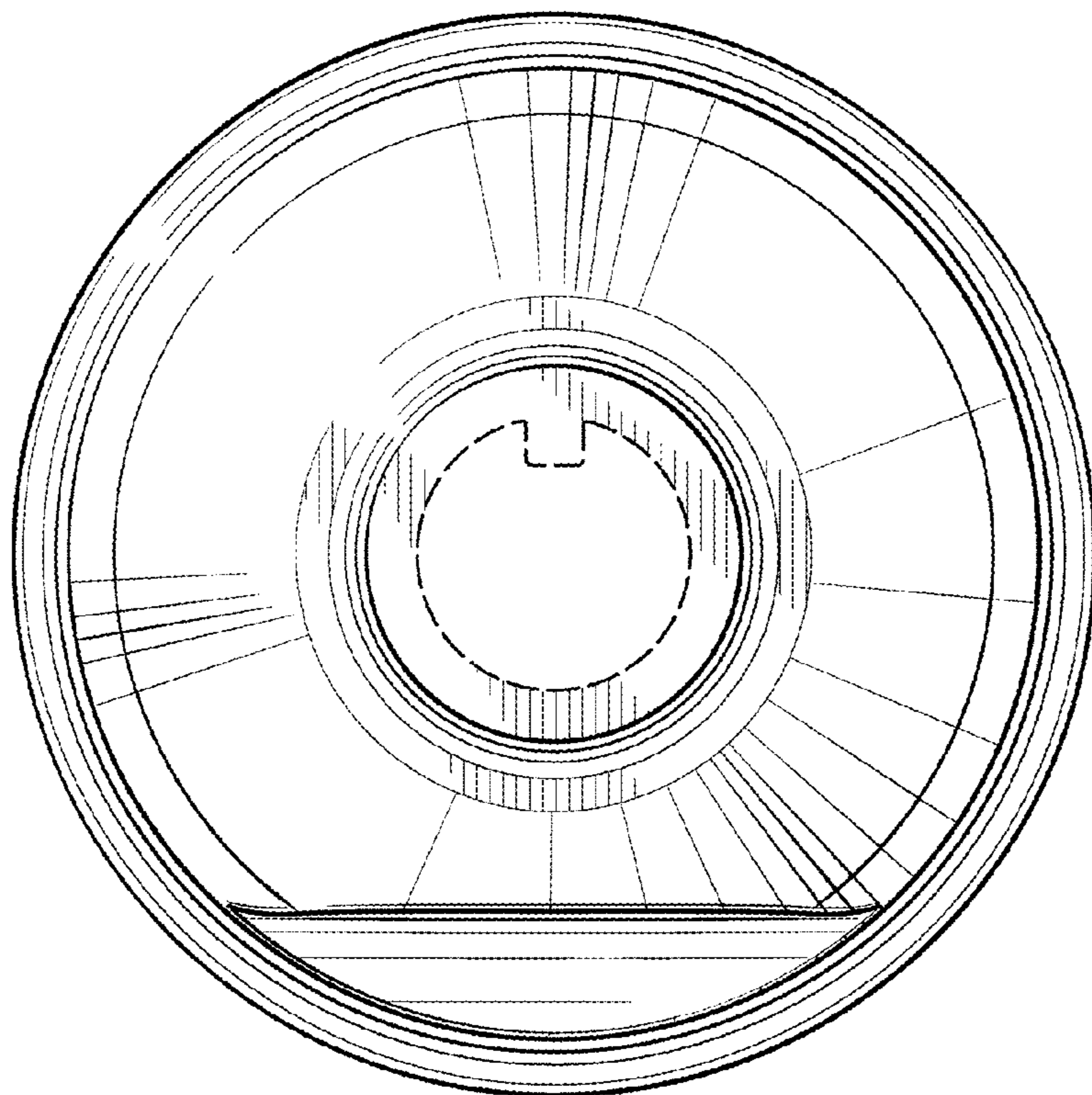


FIG. 11

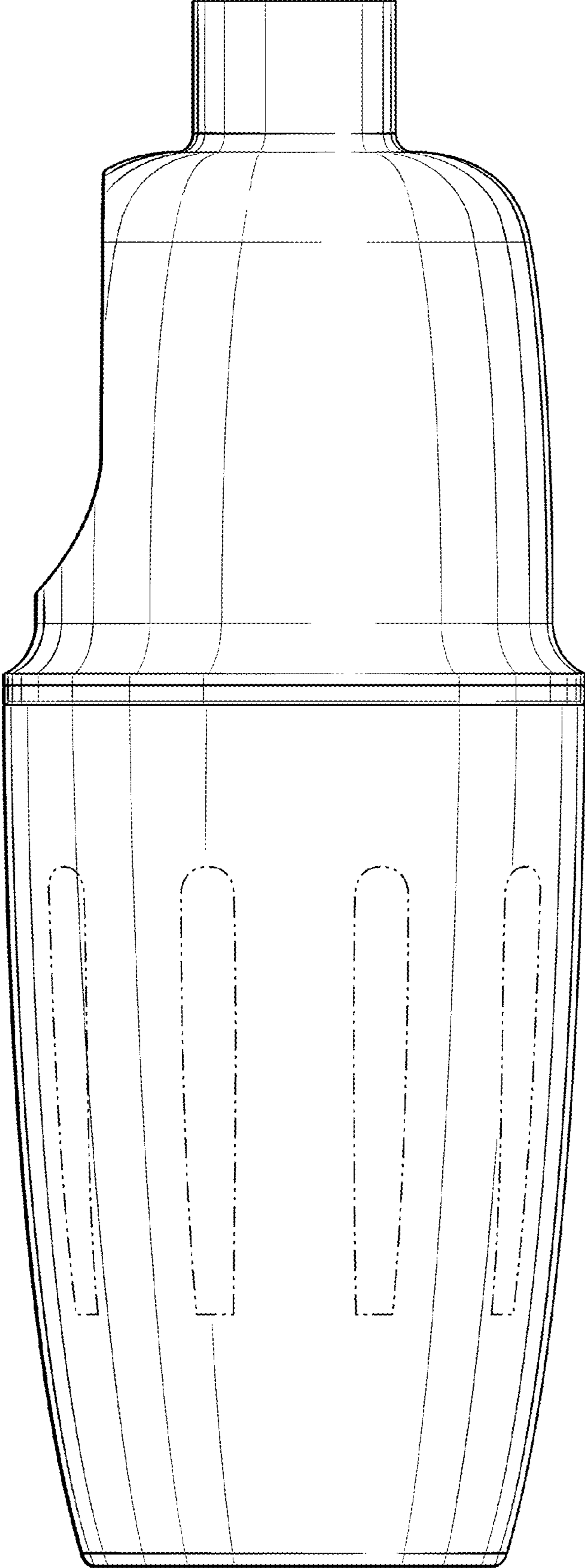


FIG. 10

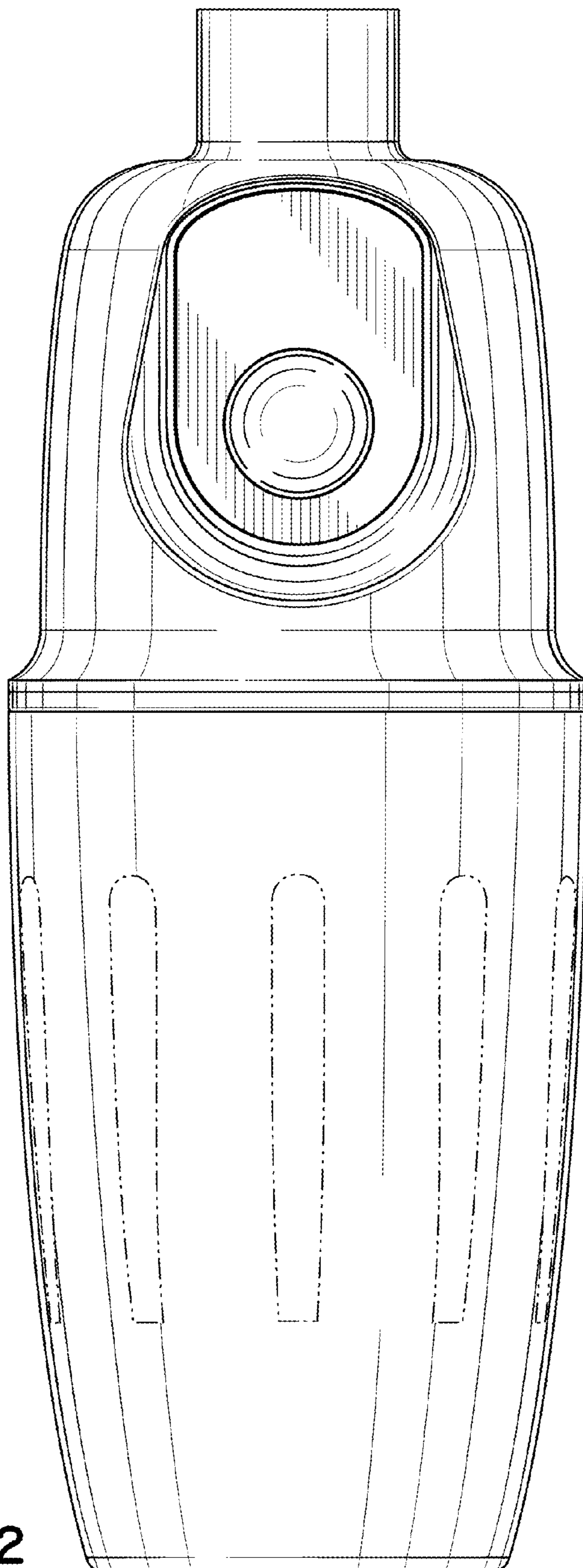


FIG. 12

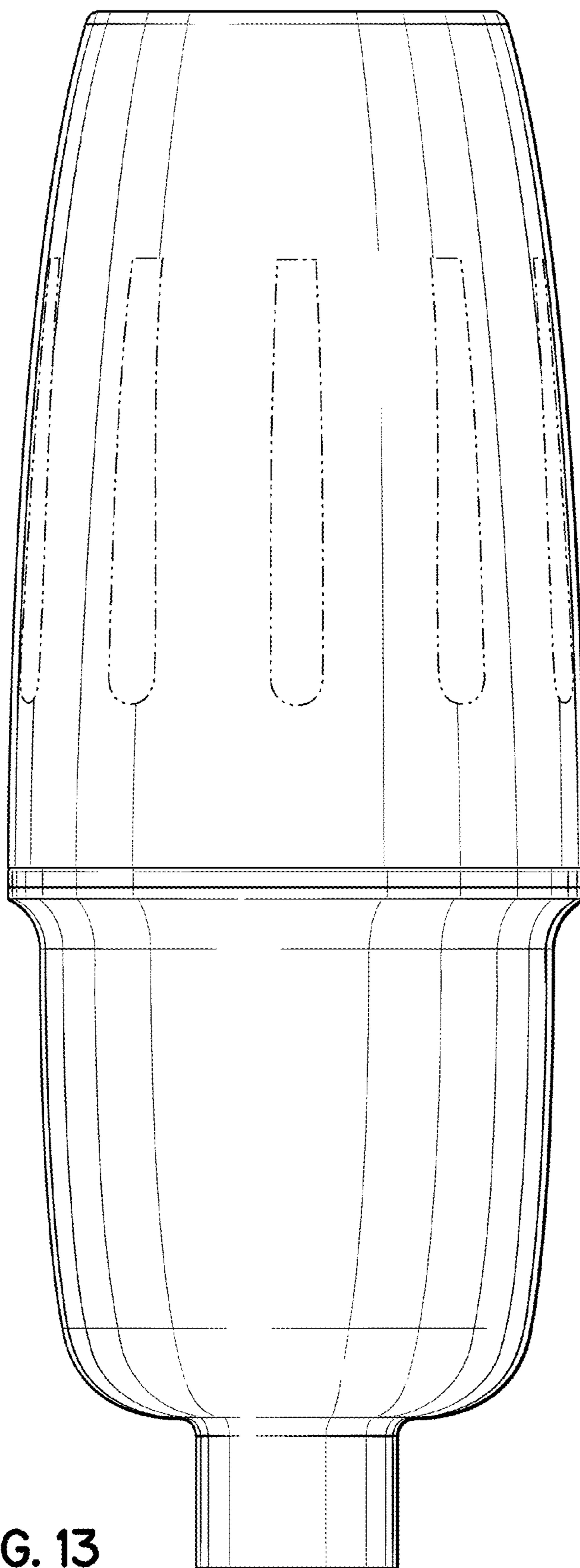


FIG. 13