



US00D632412S

(12) **United States Design Patent**  
**Pan**

(10) **Patent No.:** **US D632,412 S**

(45) **Date of Patent:** **\*\* Feb. 8, 2011**

(54) **CEILING FAN LIGHT KIT**

(75) Inventor: **Peter Pan**, Shetzu (TW)

(73) Assignee: **Air Cool Industrial Co., Ltd.**, Taichung County (TW)

(\*\*) Term: **14 Years**

(21) Appl. No.: **29/365,117**

(22) Filed: **Jul. 2, 2010**

(51) **LOC (9) Cl.** ..... **26-05**

(52) **U.S. Cl.** ..... **D26/59**

(58) **Field of Classification Search** ..... D23/377,  
D23/379, 385, 411; 416/5; D26/59, 51,  
D26/80-86, 90

See application file for complete search history.

(56) **References Cited**

**U.S. PATENT DOCUMENTS**

D352,797 S	*	11/1994	Mehaffey	.....	D26/85
D402,382 S	*	12/1998	Pearce et al.	.....	D26/85
D525,696 S	*	7/2006	Ertze	.....	D23/377
D627,454 S	*	11/2010	Pan	.....	D23/377

\* cited by examiner

*Primary Examiner*—Lisa P Lichtenstein

(74) *Attorney, Agent, or Firm*—Ming Chow; Sinorica, LLC

(57) **CLAIM**

I claim the ornamental design for a ceiling fan light kit, as shown and described.

**DESCRIPTION**

FIG. 1 is a front perspective view of a ceiling fan light kit showing my new design;

FIG. 2 is a front elevational view thereof;

FIG. 3 is a rear elevational view thereof.

FIG. 4 is a left side elevational view thereof;

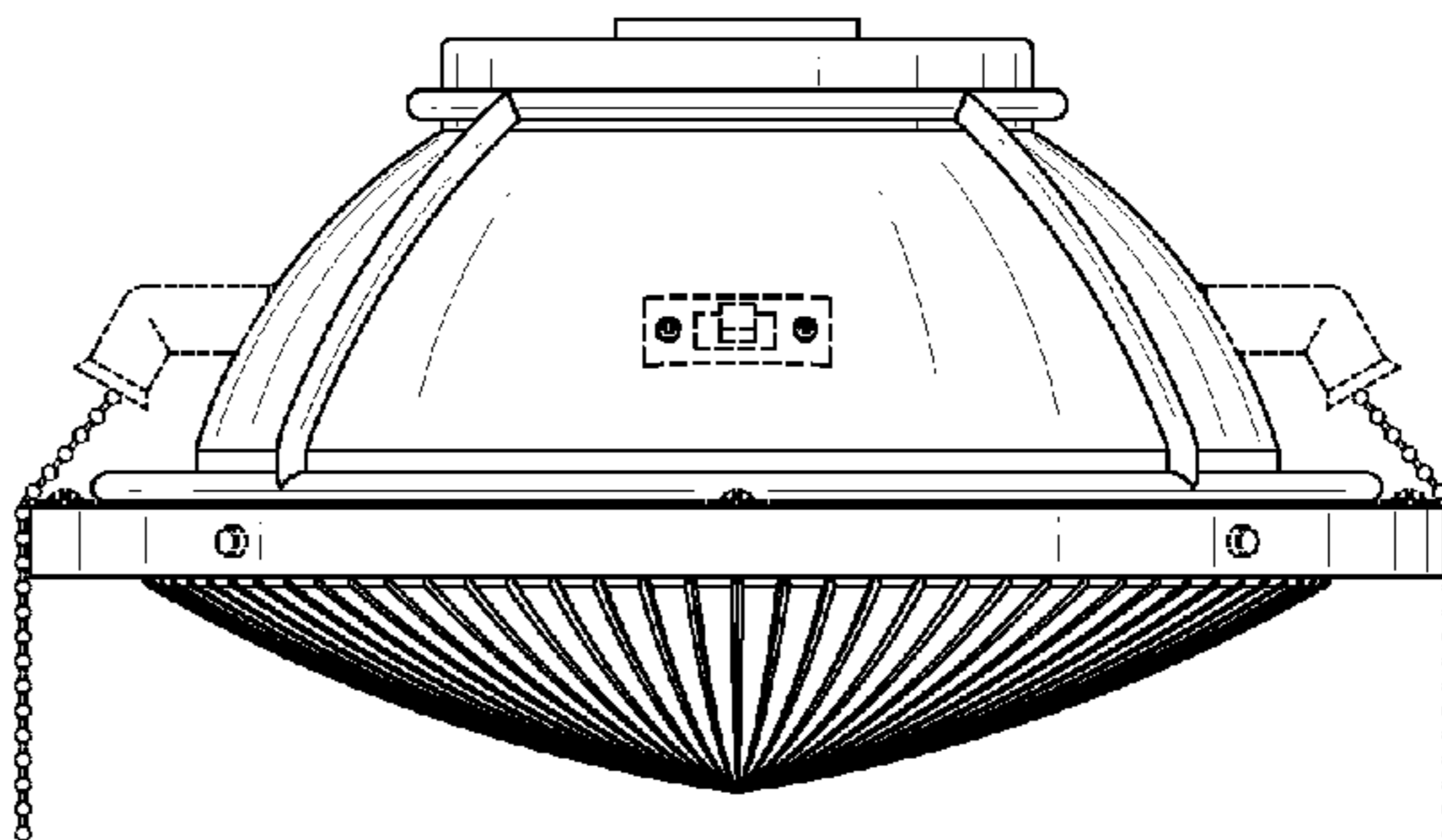
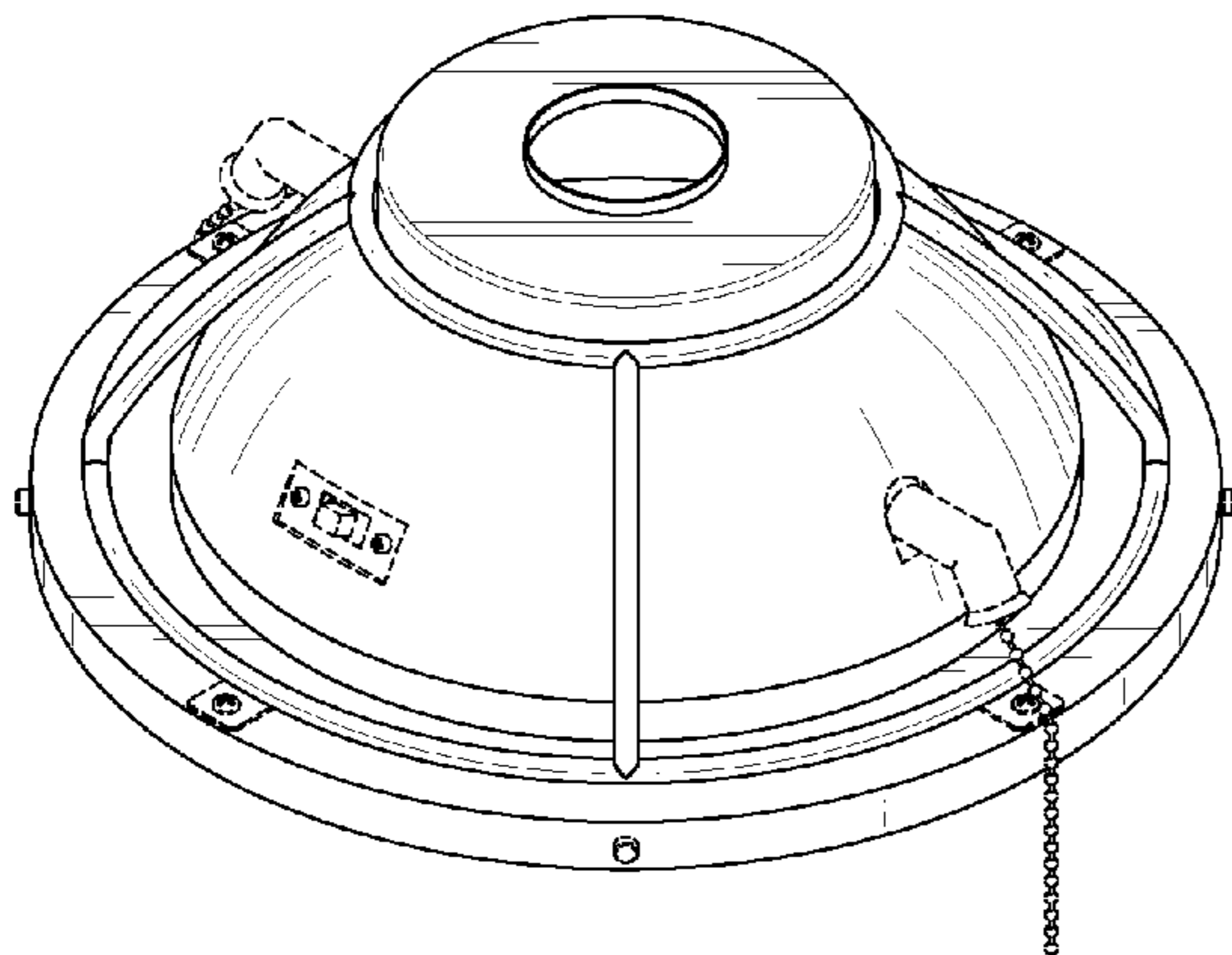
FIG. 5 is a right side elevational view thereof;

FIG. 6 is a top plan view thereof; and,

FIG. 7 is a bottom plan view thereof.

The broken line showing of portions of a ceiling fan light kit is included for the purpose of illustrating environmental structure and forms no part of the claimed design.

**1 Claim, 5 Drawing Sheets**



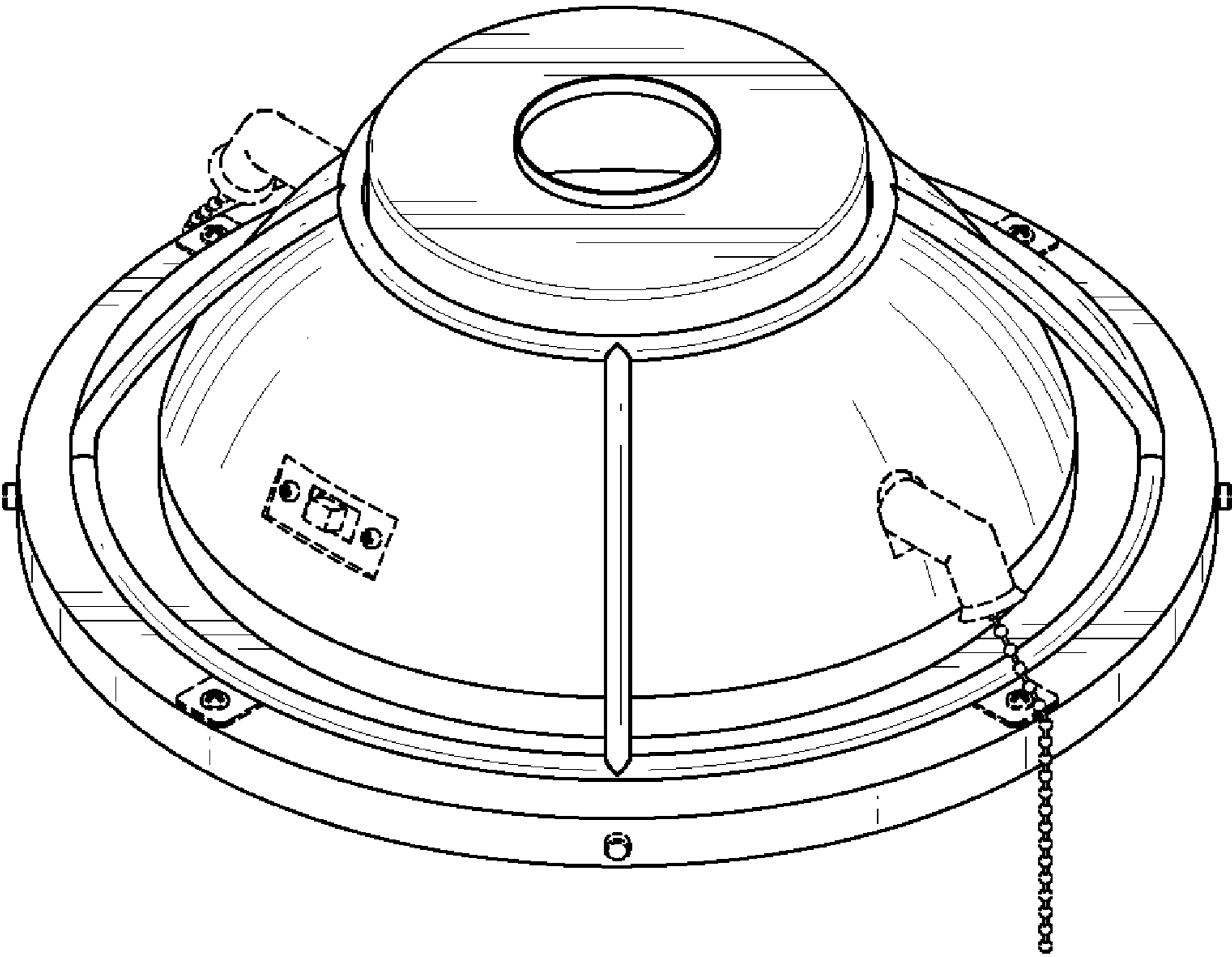


FIG. 1

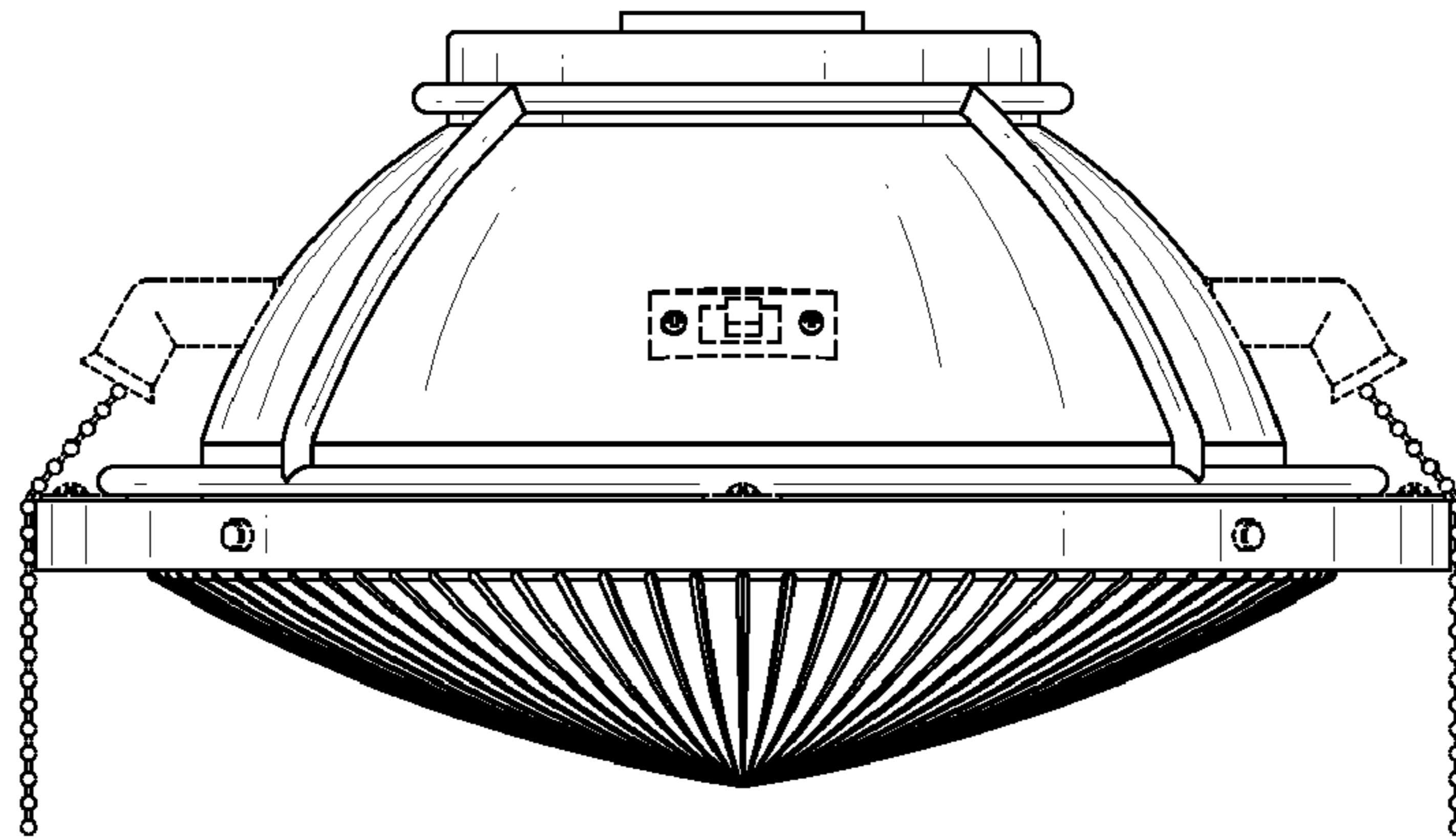


FIG. 2

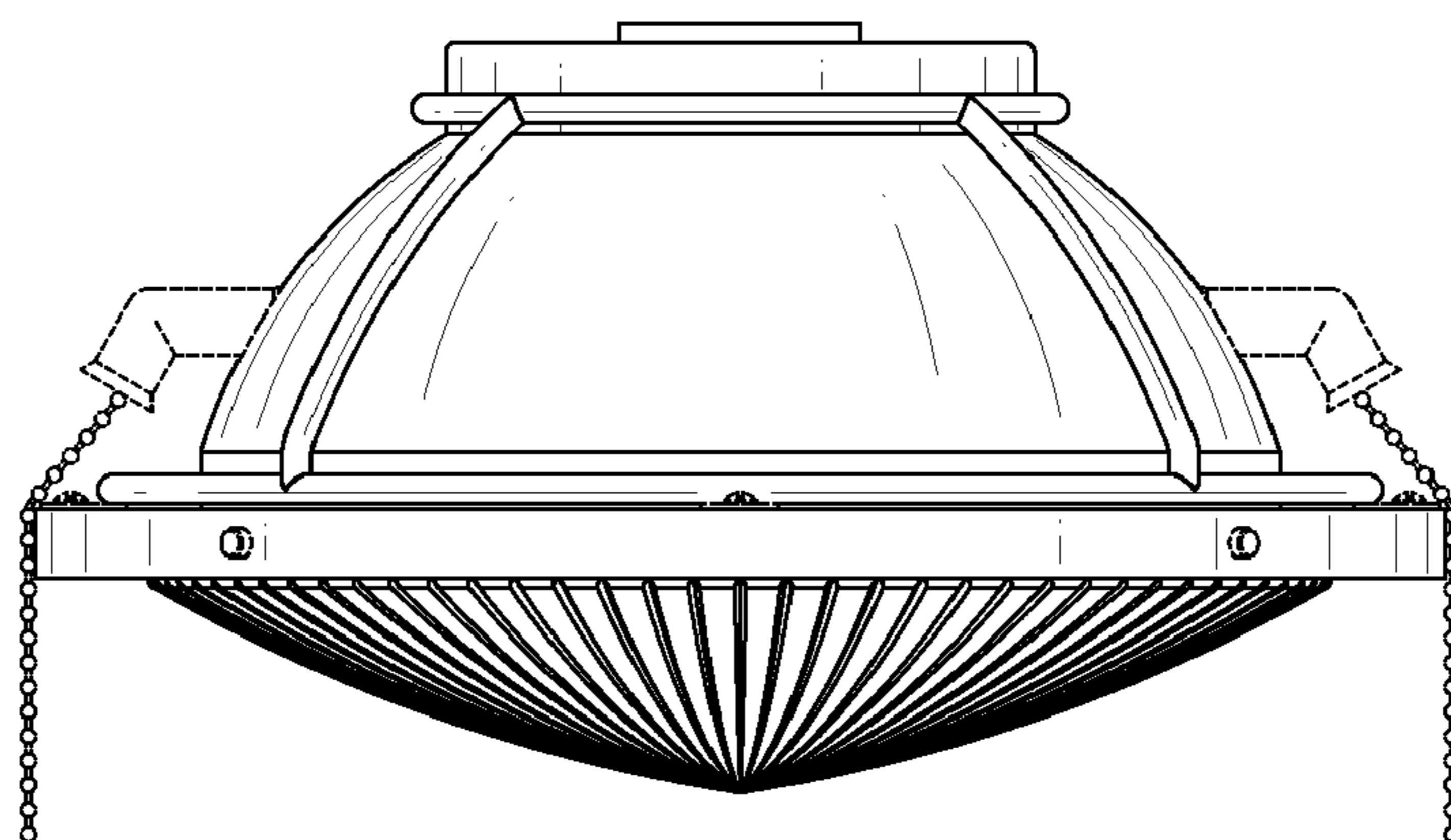


FIG. 3

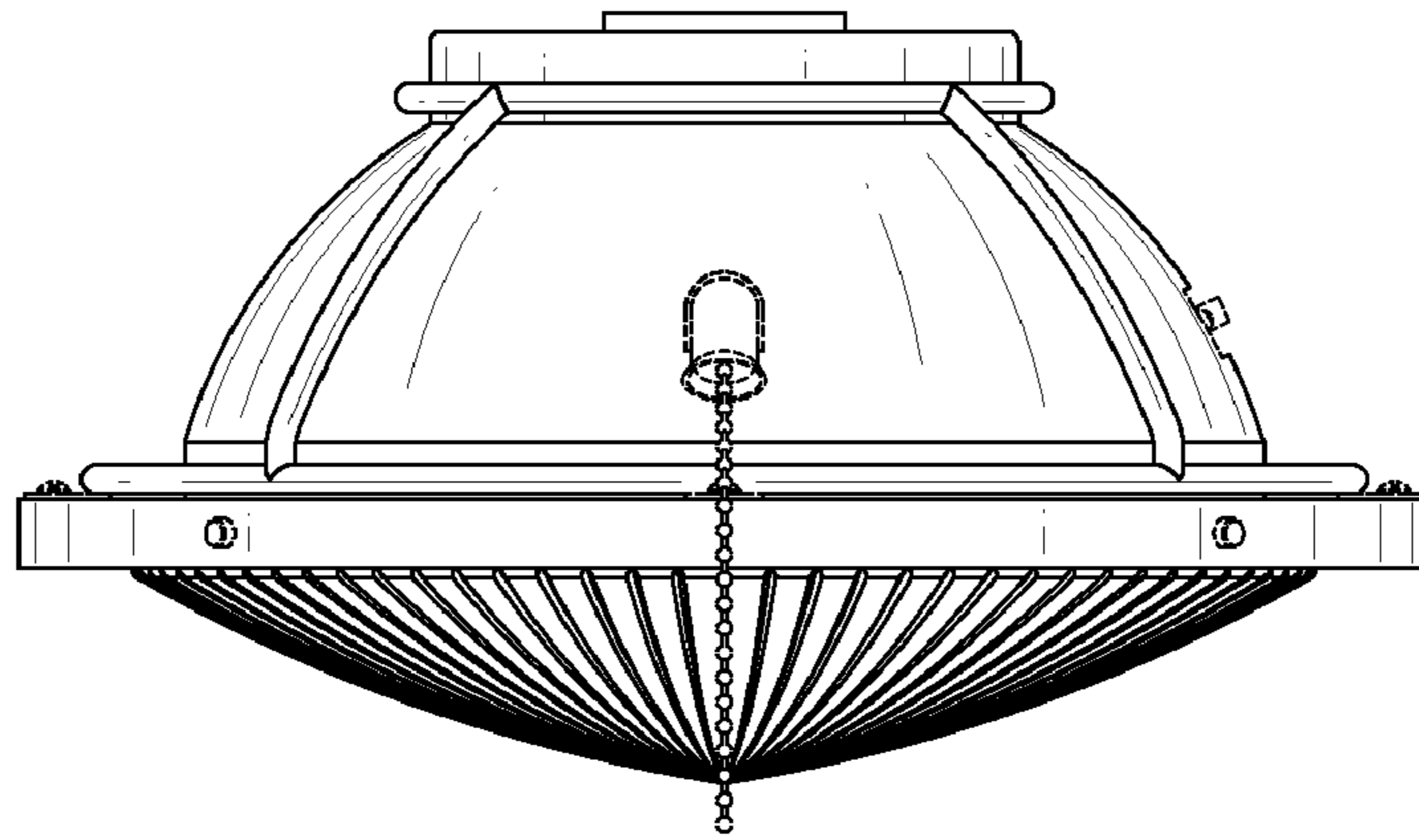


FIG. 4

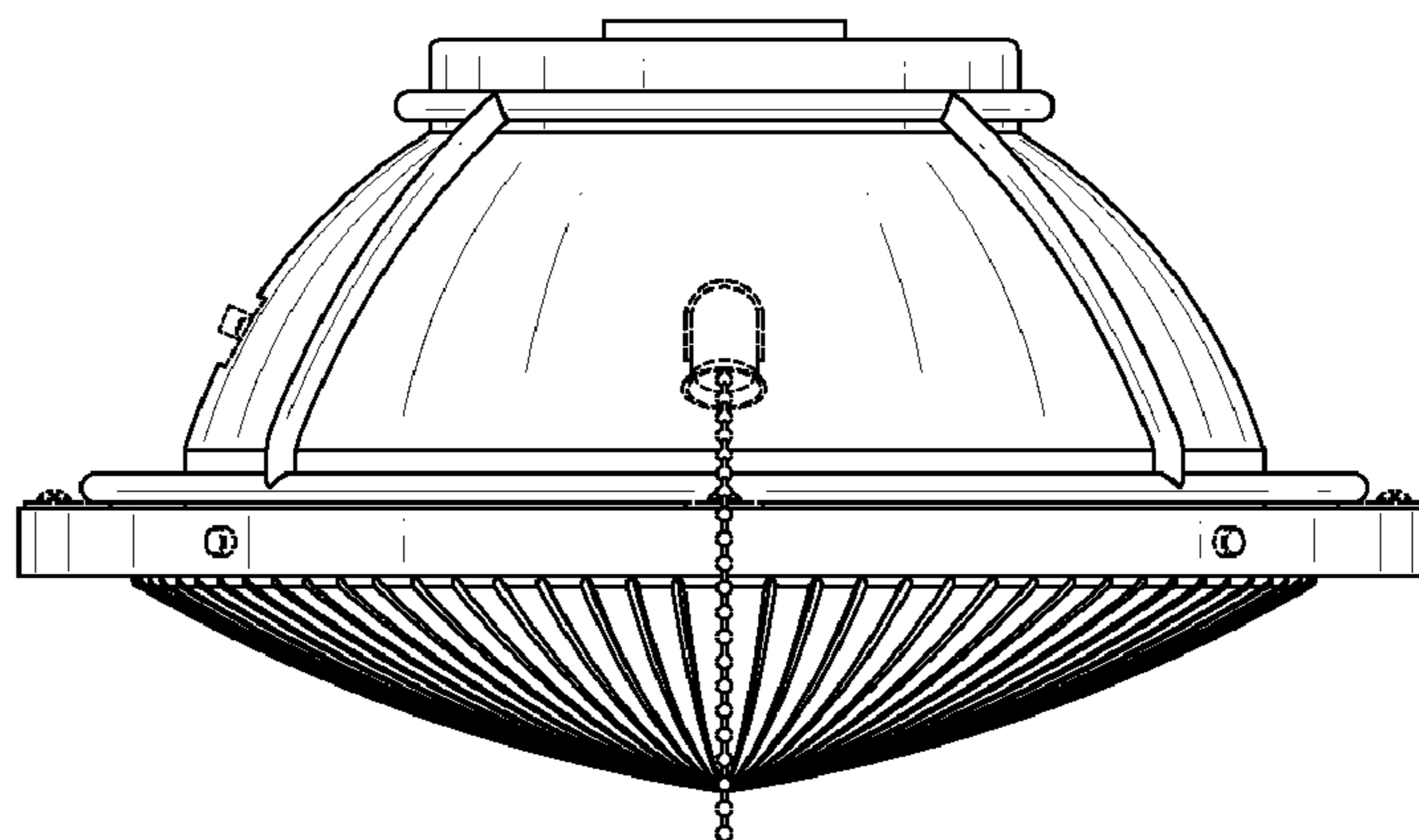


FIG. 5

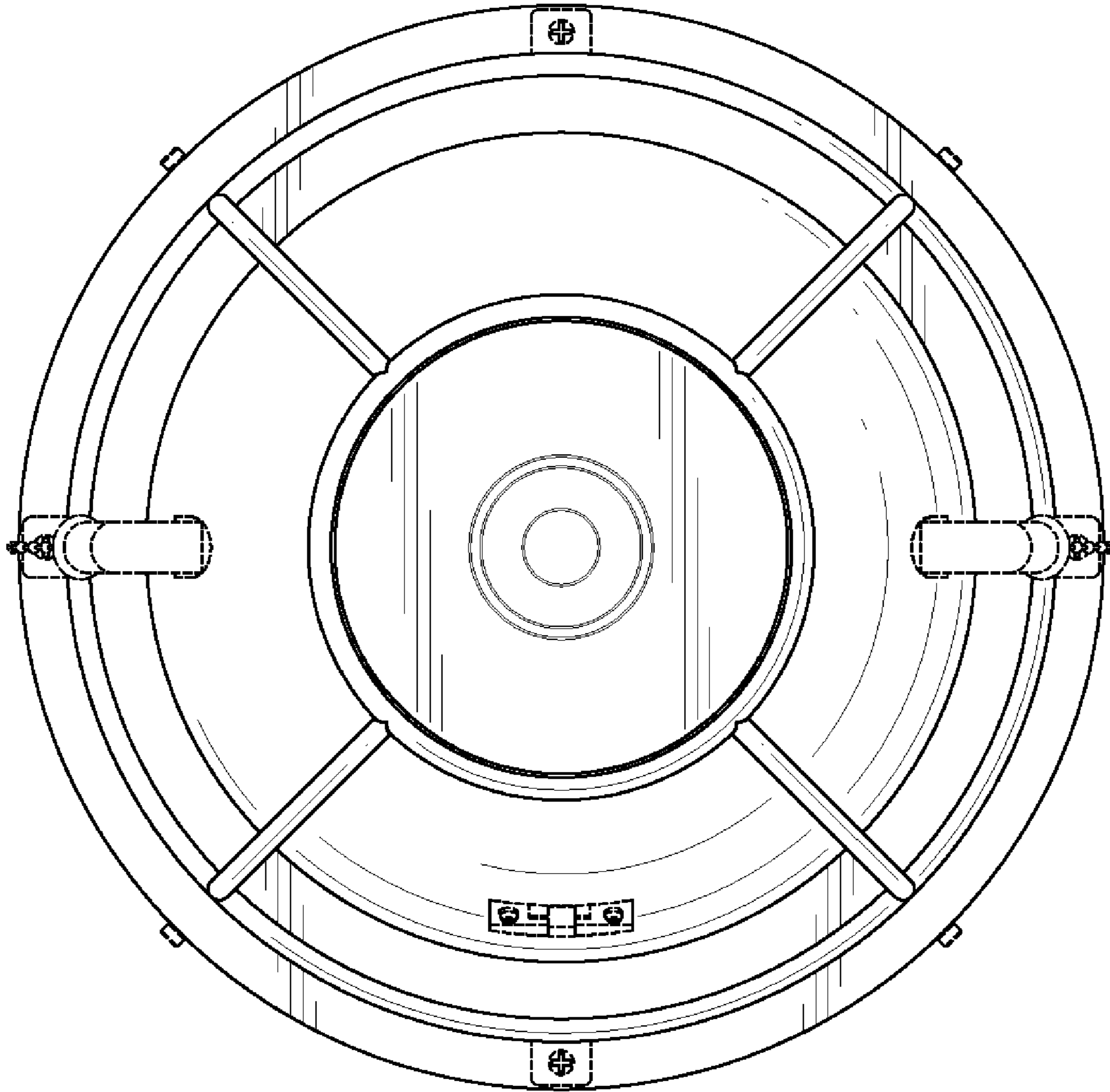


FIG. 6



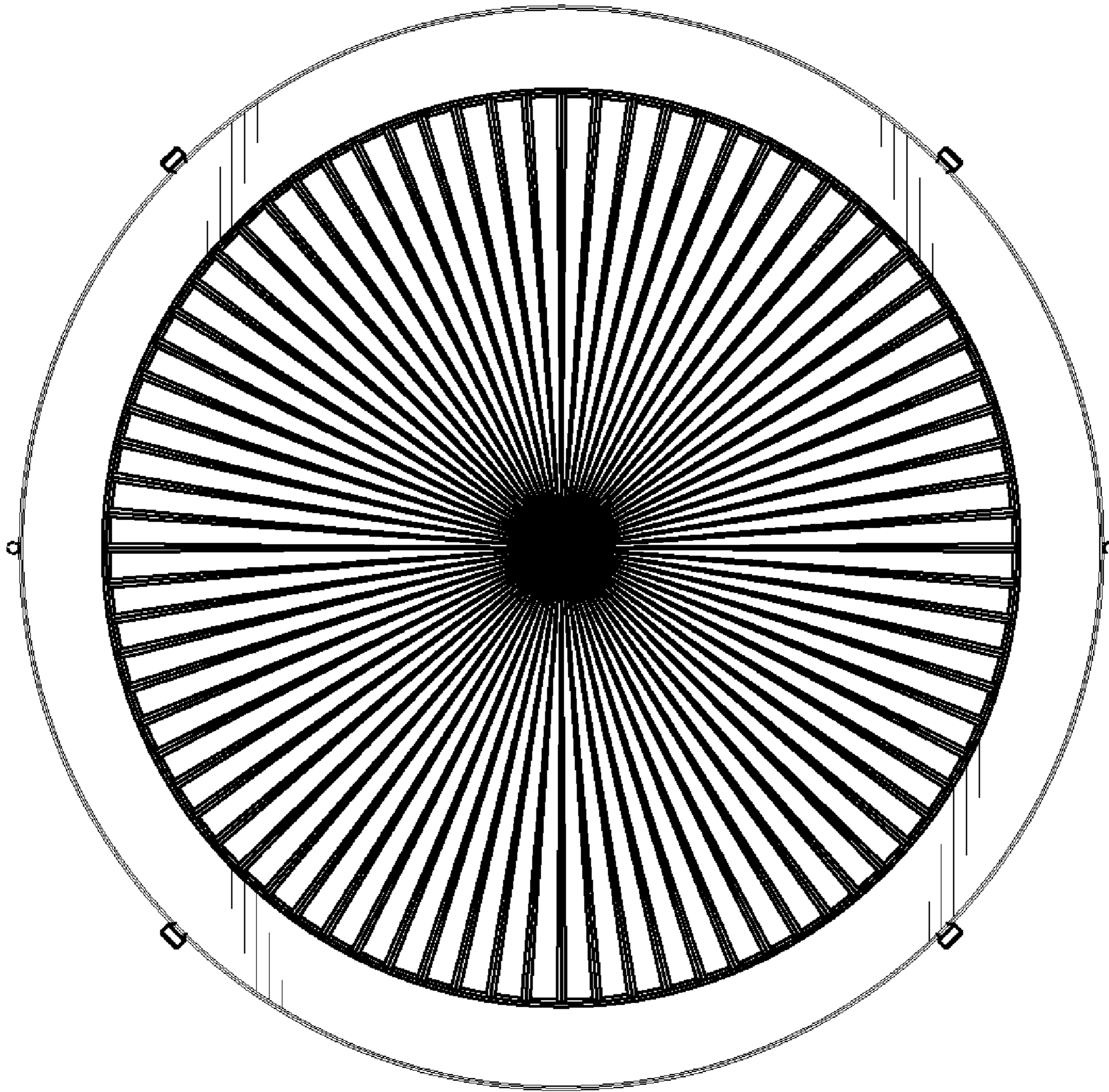


FIG. 7