



US00D632411S

(12) **United States Design Patent**  
**Vanderbeek**

(10) **Patent No.:** **US D632,411 S**

(45) **Date of Patent:** **\*\* Feb. 8, 2011**

(54) **FLASHLIGHT**

(75) Inventor: **Karl Vanderbeek**, New Haven, CT (US)

(73) Assignee: **Stanley Black & Decker, Inc.**, New Britain, CT (US)

(\*\*) Term: **14 Years**

(21) Appl. No.: **29/300,474**

(22) Filed: **Mar. 31, 2008**

(51) **LOC (9) Cl.** ..... **26-02**

(52) **U.S. Cl.** ..... **D26/48; D26/38; D26/44**

(58) **Field of Classification Search** ..... D26/37,  
D26/46, 49, 44; 362/157, 158, 184, 187,  
362/188, 190, 194-199, 202-208  
See application file for complete search history.

(56) **References Cited**

**U.S. PATENT DOCUMENTS**

2,444,107	A *	6/1948	Montgomery	.....	362/158
D249,581	S *	9/1978	Von Clemm	.....	D26/49
D396,313	S *	7/1998	Dalton et al.	.....	D26/46
D444,582	S *	7/2001	Poon	.....	D26/44
6,641,279	B1 *	11/2003	Williams	.....	362/184
D488,876	S *	4/2004	Kotani	.....	D26/49
D495,078	S *	8/2004	Galli	.....	D26/49
D499,826	S *	12/2004	Ping	.....	D26/44
D505,218	S *	5/2005	Van Deursen	.....	D26/49
6,913,370	B2 *	7/2005	Ping	.....	362/199
D512,524	S *	12/2005	Yuen	.....	D26/37
D533,290	S *	12/2006	Lo et al.	.....	D26/49
D546,489	S *	7/2007	Yuen	.....	D26/42
D549,373	S *	8/2007	Osiecki et al.	.....	D26/44
D550,873	S *	9/2007	Garrity	.....	D26/49
D554,788	S *	11/2007	Chapman	.....	D26/49
7,296,909	B2	11/2007	Van Deursen et al.		
7,342,360	B2	3/2008	Van Deursen et al.		

7,364,320	B2	4/2008	Van Deursen et al.		
D574,529	S *	8/2008	Squires et al.	.....	D26/49
D593,241	S *	5/2009	Wiesmeth et al.	.....	D26/49
D599,925	S *	9/2009	Kingston	.....	D26/44
D608,481	S *	1/2010	Yang	.....	D26/49
D610,728	S *	2/2010	Baker et al.	.....	D26/49
2006/0139913	A1 *	6/2006	Parker et al.	.....	362/198
2010/0182777	A1 *	7/2010	Van Deursen	.....	362/184

\* cited by examiner

*Primary Examiner*—Charles A Rademaker

*Assistant Examiner*—Carissa C Fitts

(74) *Attorney, Agent, or Firm*—Pillsbury Winthrop Shaw Pittman LLP

(57) **CLAIM**

The ornamental design for a flashlight, as shown and described.

**DESCRIPTION**

FIG. 1 is a front elevation of a flashlight showing our new design;

FIG. 2 is a rear elevation view thereof;

FIG. 3 is a right side view thereof;

FIG. 4 is a left side view thereof;

FIG. 5 is a top plan view thereof;

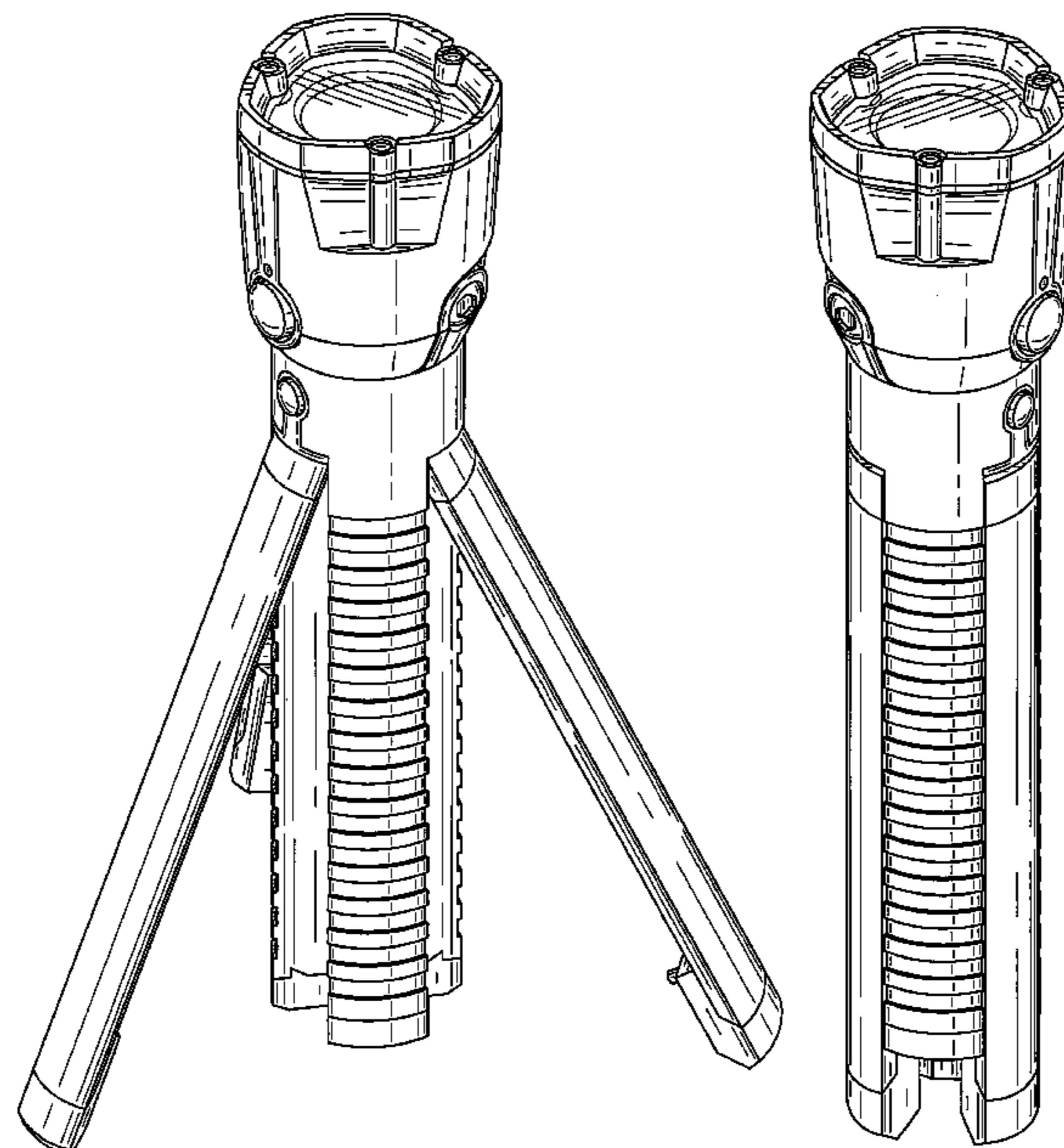
FIG. 6 is a bottom plan view thereof;

FIG. 7 is a perspective view thereof with legs in an extended configuration; and,

FIG. 8 is a perspective view thereof.

Where included, broken lines showing environment or structure are for illustrative purposes only and form no part of the claimed design.

**1 Claim, 5 Drawing Sheets**



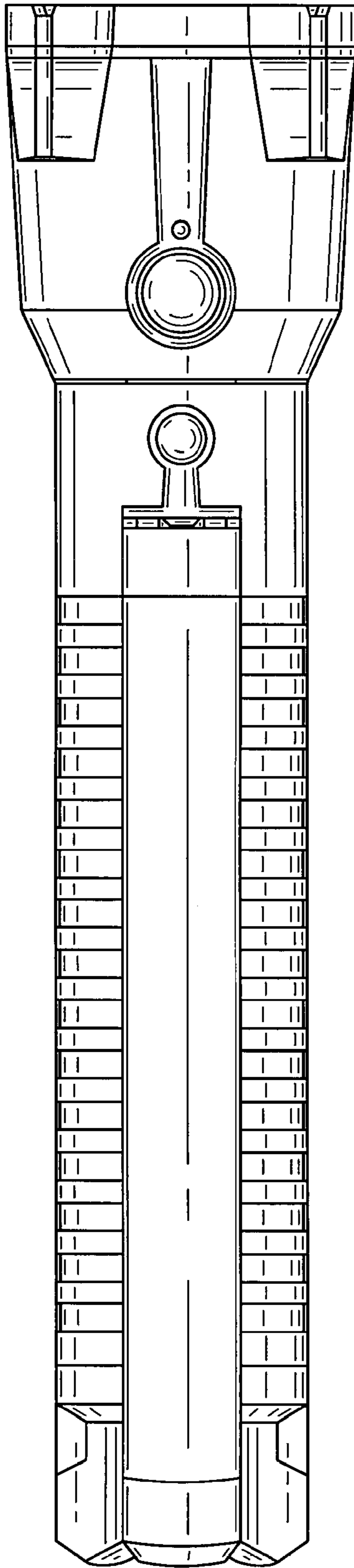


FIG. 1

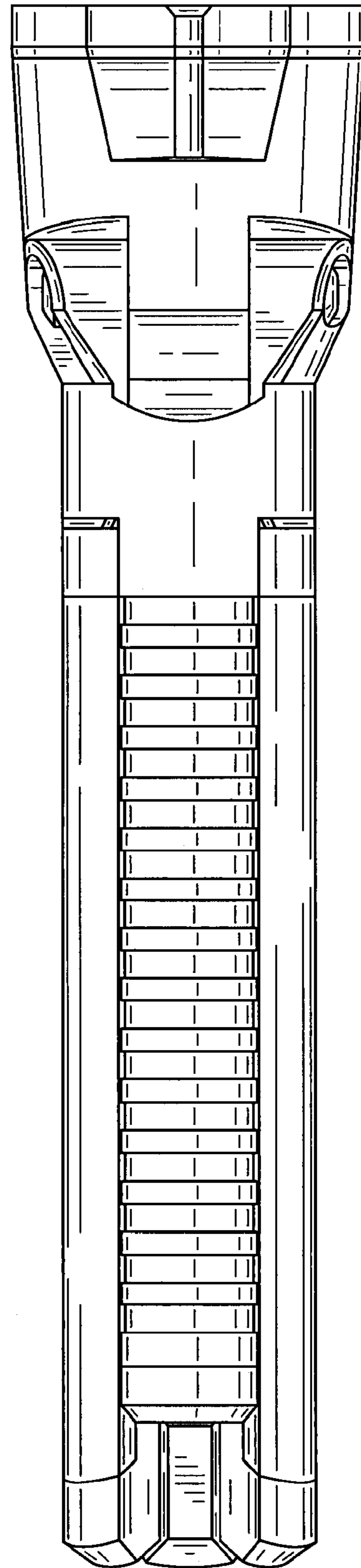


FIG. 2

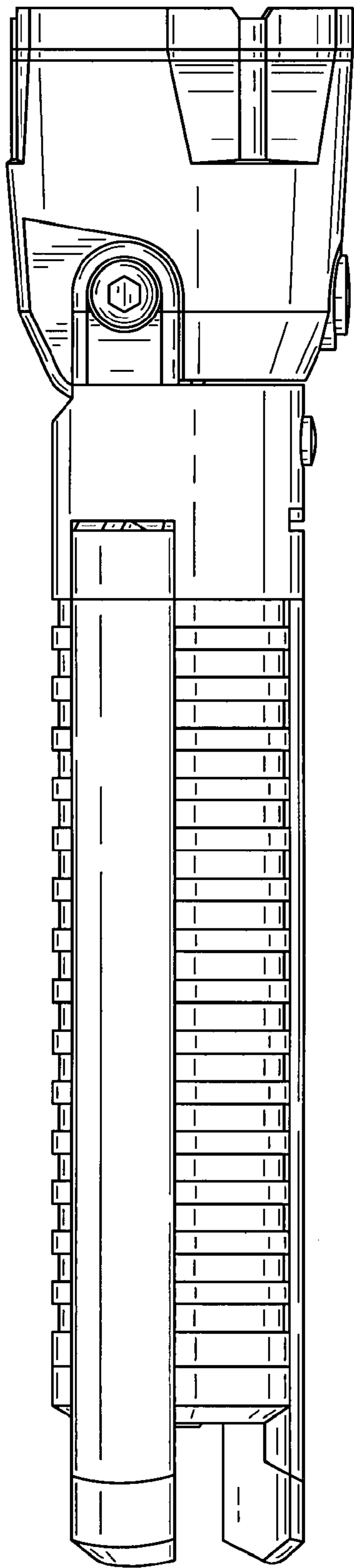


FIG. 3

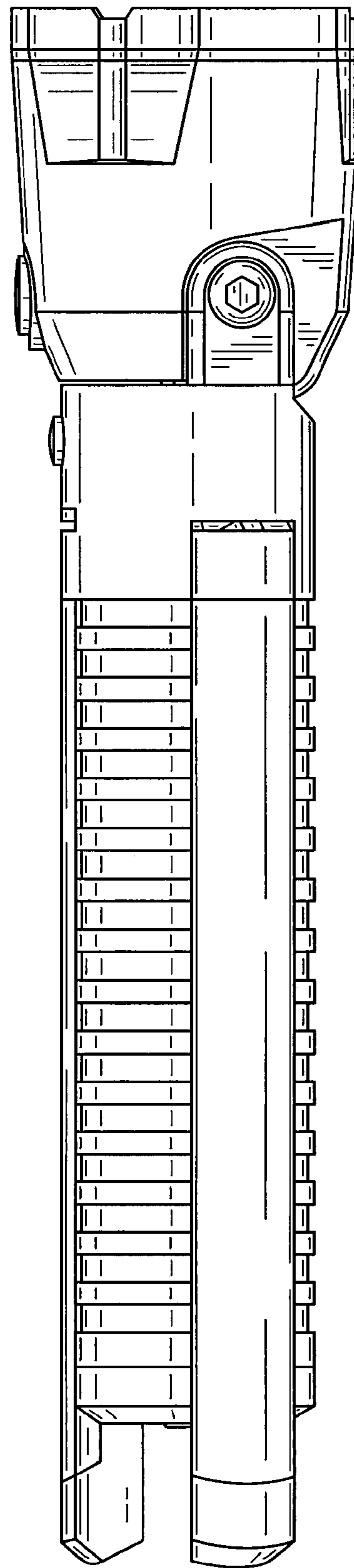


FIG. 4

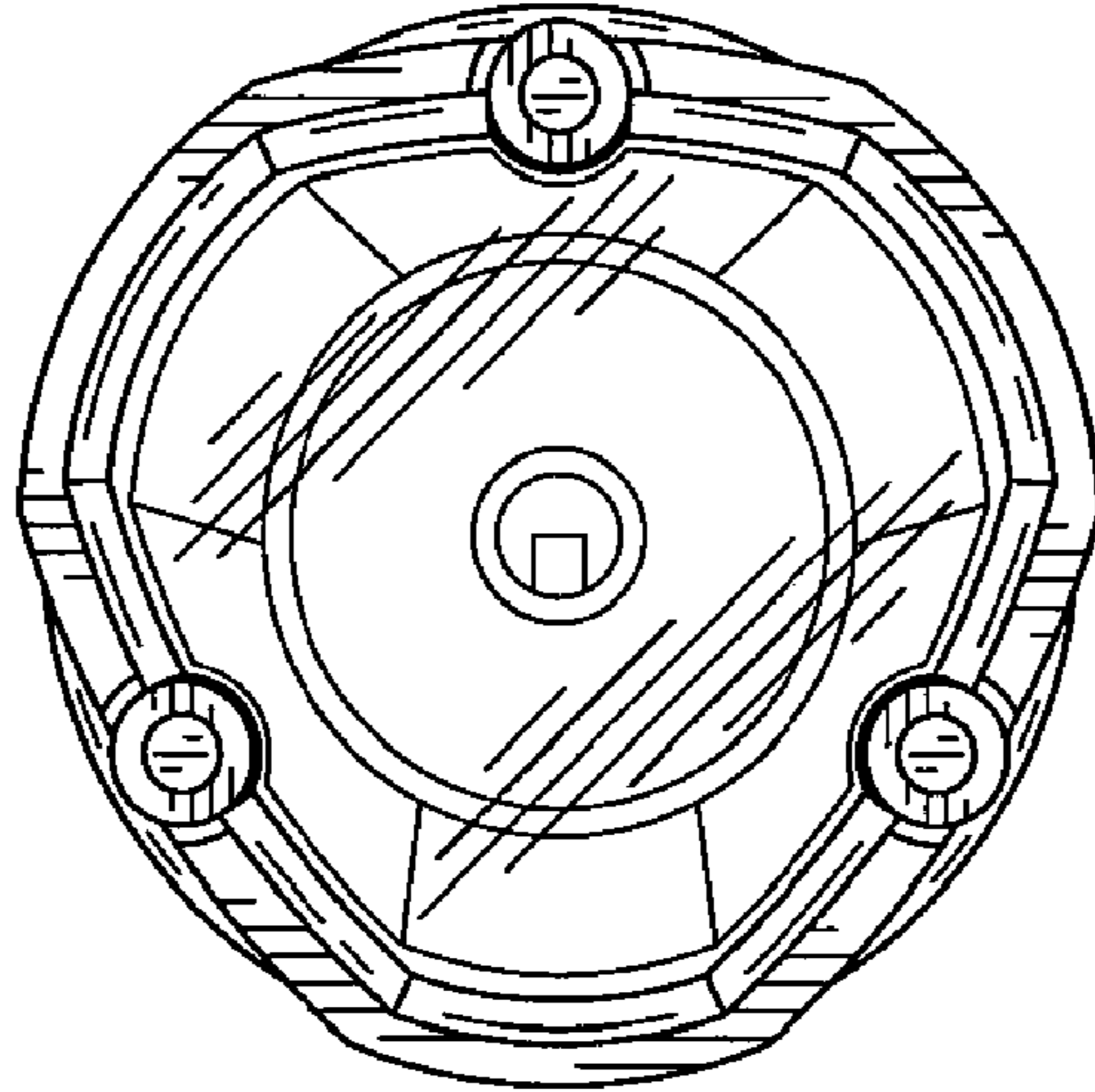


FIG. 5

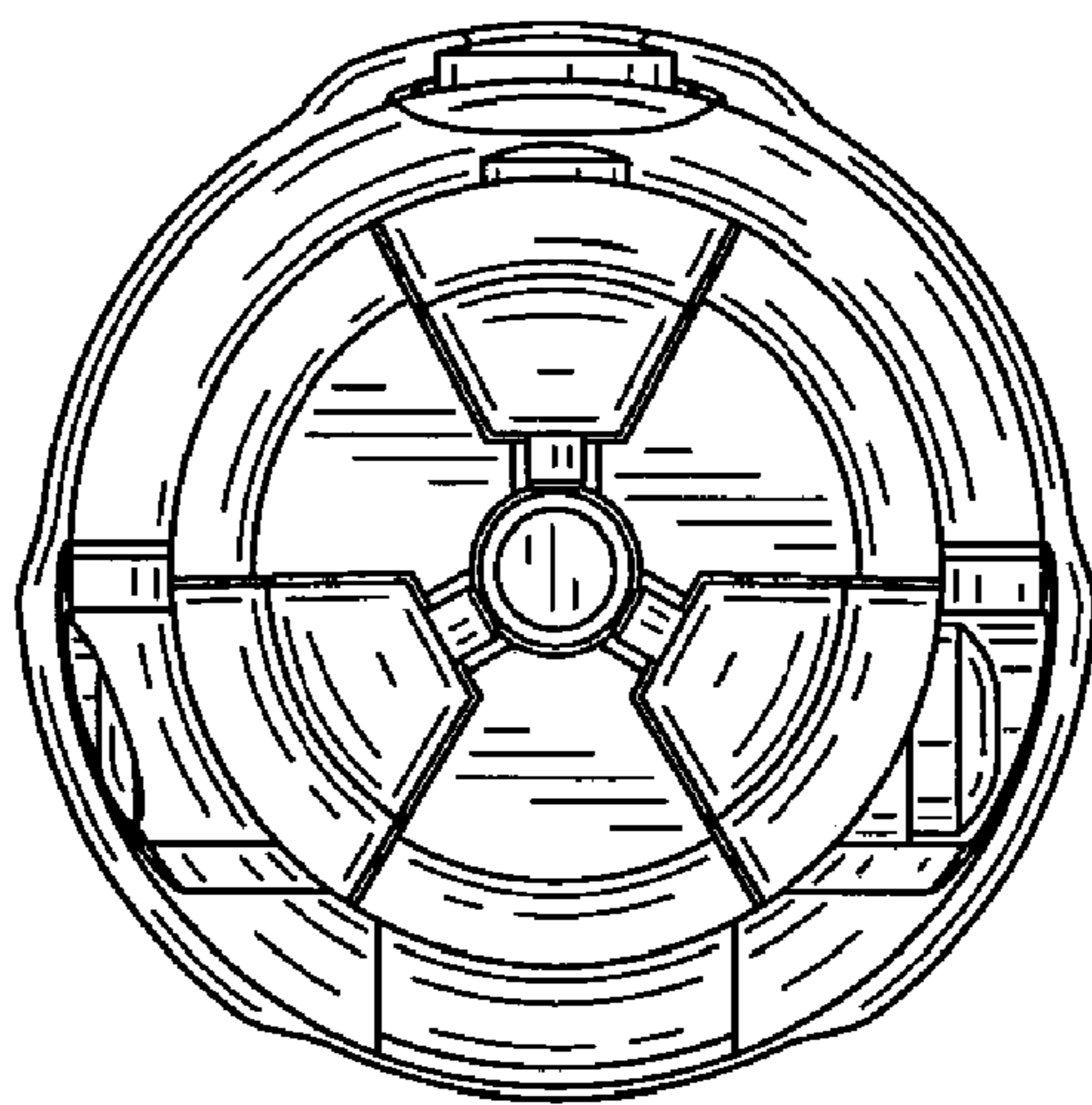


FIG. 6



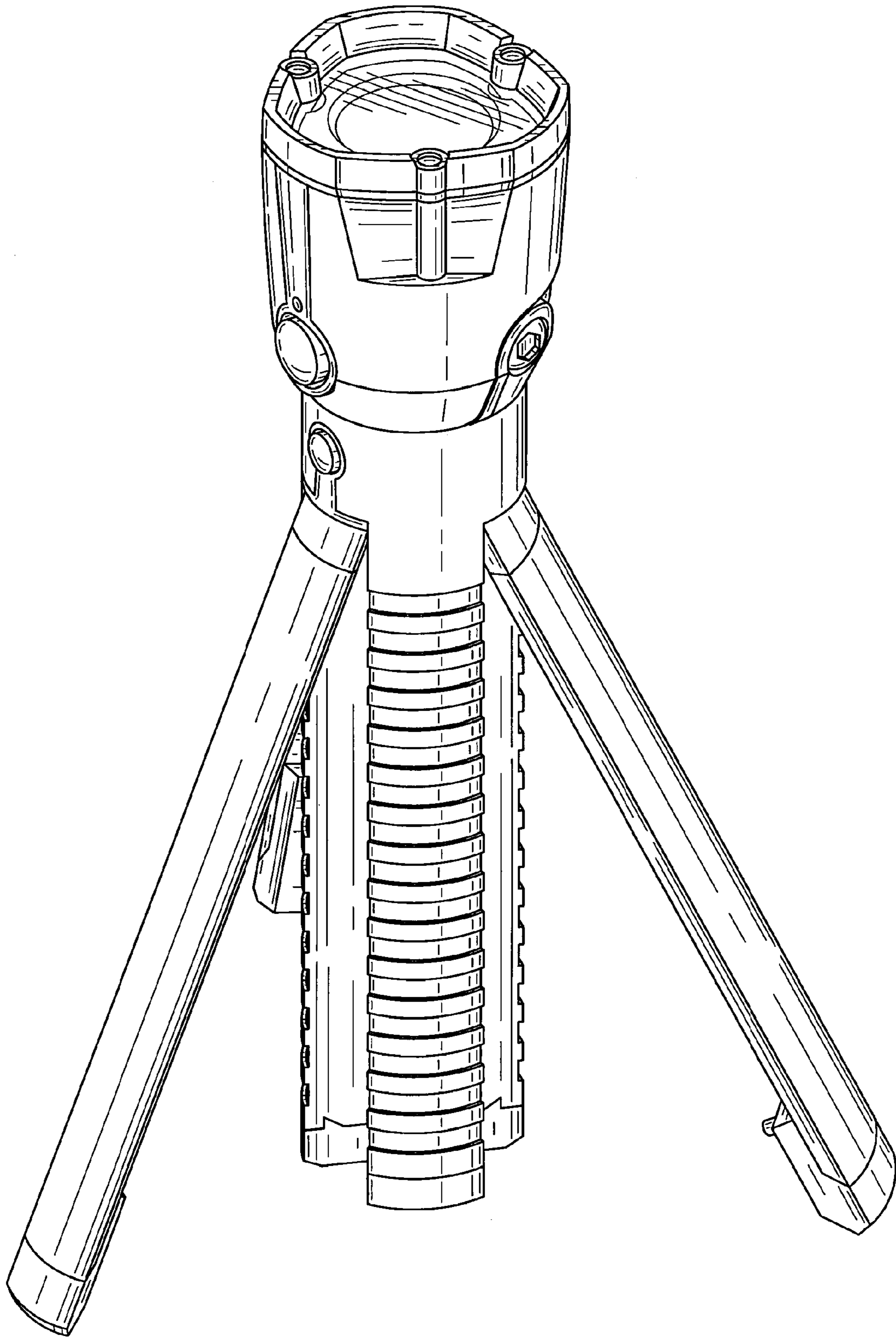


FIG. 7

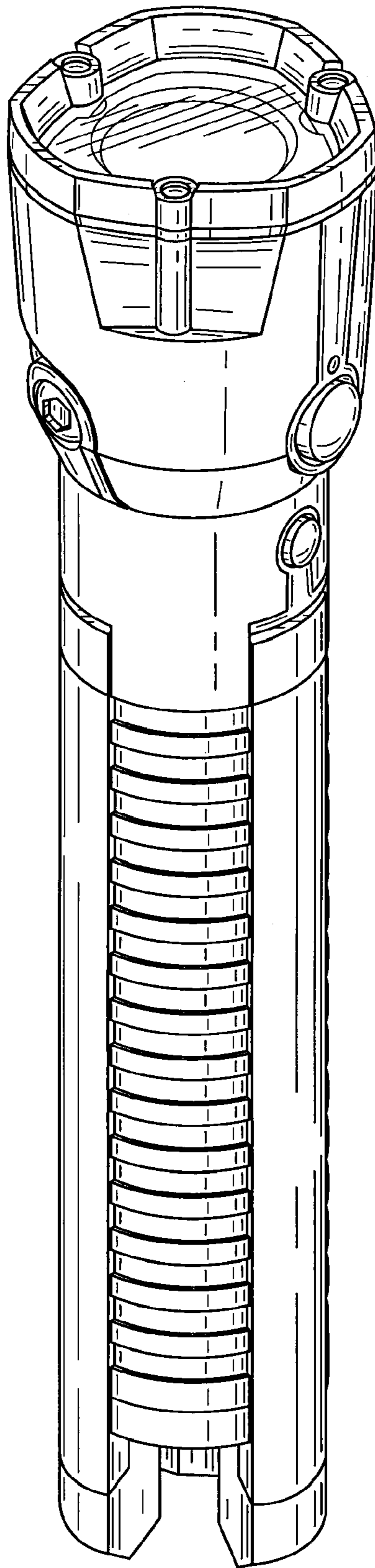


FIG. 8