



US00D632410S

(12) **United States Design Patent**  
**Okuno et al.**

(10) **Patent No.:** **US D632,410 S**  
(45) **Date of Patent:** **\*\* Feb. 8, 2011**

(54) **FRONT COMBINATION LAMP FOR AN  
AUTOMOBILE**

D560,291 S \* 1/2008 Koyama ..... D26/28

(75) Inventors: **Takeo Okuno**, Yokosuka (JP); **Tetsuya Nakagawa**, Yokosuka (JP)

(73) Assignee: **Toyota Jidosha Kabushiki Kaisha** (JP)

(\*\*) Term: **14 Years**

(21) Appl. No.: **29/359,223**

(22) Filed: **Apr. 7, 2010**

(51) **LOC (9) Cl.** ..... **26-06**

(52) **U.S. Cl.** ..... **D26/28**

(58) **Field of Classification Search** ..... D26/28-36;  
362/459-468, 475-478, 485-487

See application file for complete search history.

(56) **References Cited**

**U.S. PATENT DOCUMENTS**

D528,681 S *	9/2006	Nakahara	.....	D26/28
D535,764 S *	1/2007	Yamaguchi	.....	D26/28
D536,810 S *	2/2007	Ishikura	.....	D26/28
D538,956 S *	3/2007	Ishii	.....	D26/28
D544,614 S *	6/2007	Markefka	.....	D26/28

**OTHER PUBLICATIONS**

Honda Civic, Honda, Netcarshow.com, [http://www.netcarshow.com/honda/2007-civic\\_type\\_r\\_sedan/1280x960/wallpaper\\_05.htm](http://www.netcarshow.com/honda/2007-civic_type_r_sedan/1280x960/wallpaper_05.htm), available as early as Mar. 31, 2010.

Estima, Toyota, Catalogue of Estima, Jan. 2006.

\* cited by examiner

*Primary Examiner*—Marcus A Jackson

(74) *Attorney, Agent, or Firm*—SAIDMAN DesignLaw Group

(57) **CLAIM**

The ornamental design for a front combination lamp for an automobile, as shown and described.

**DESCRIPTION**

FIG. 1 is a front perspective view of a front combination lamp for an automobile showing our new design;

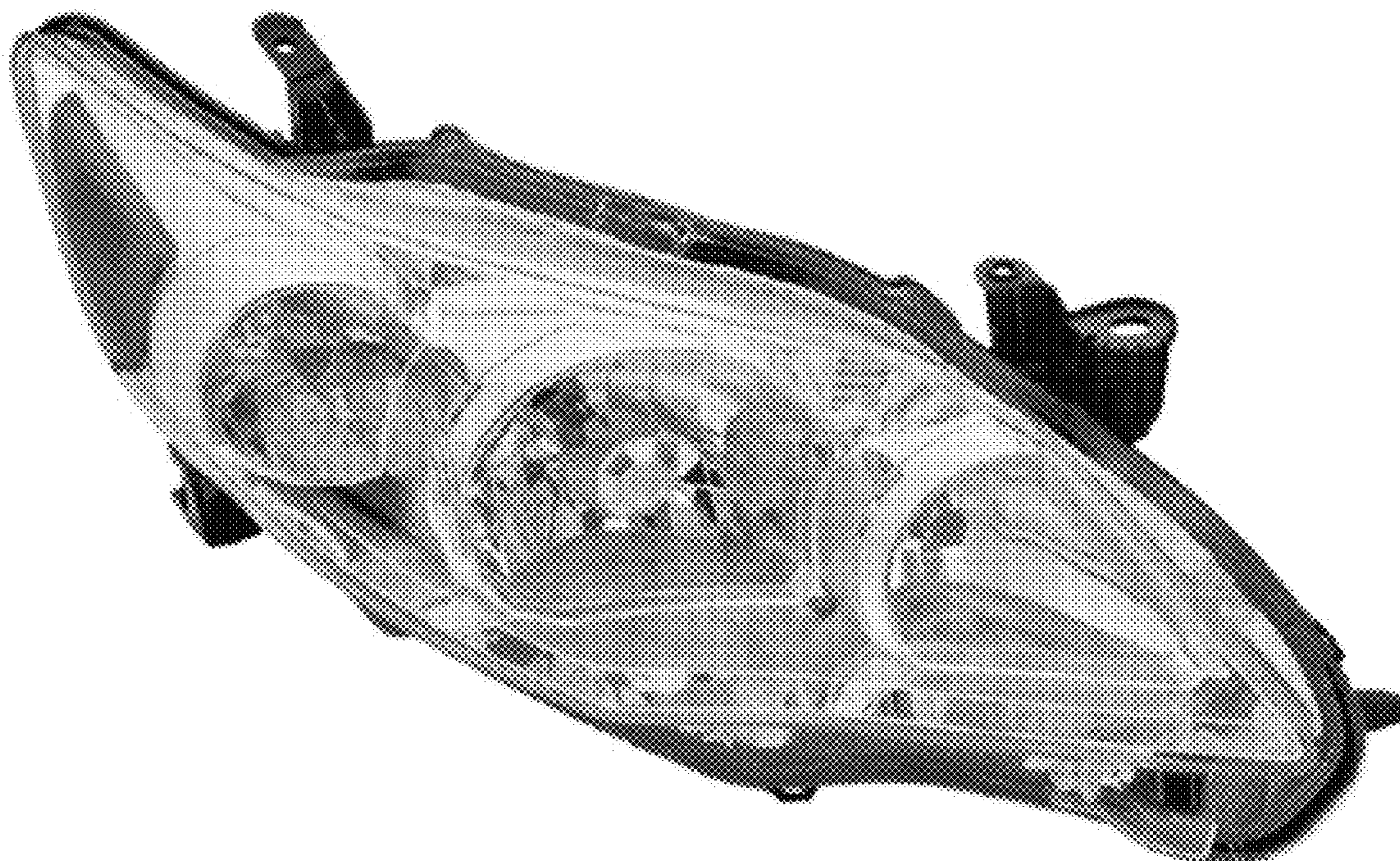
FIG. 2 is a front view thereof;

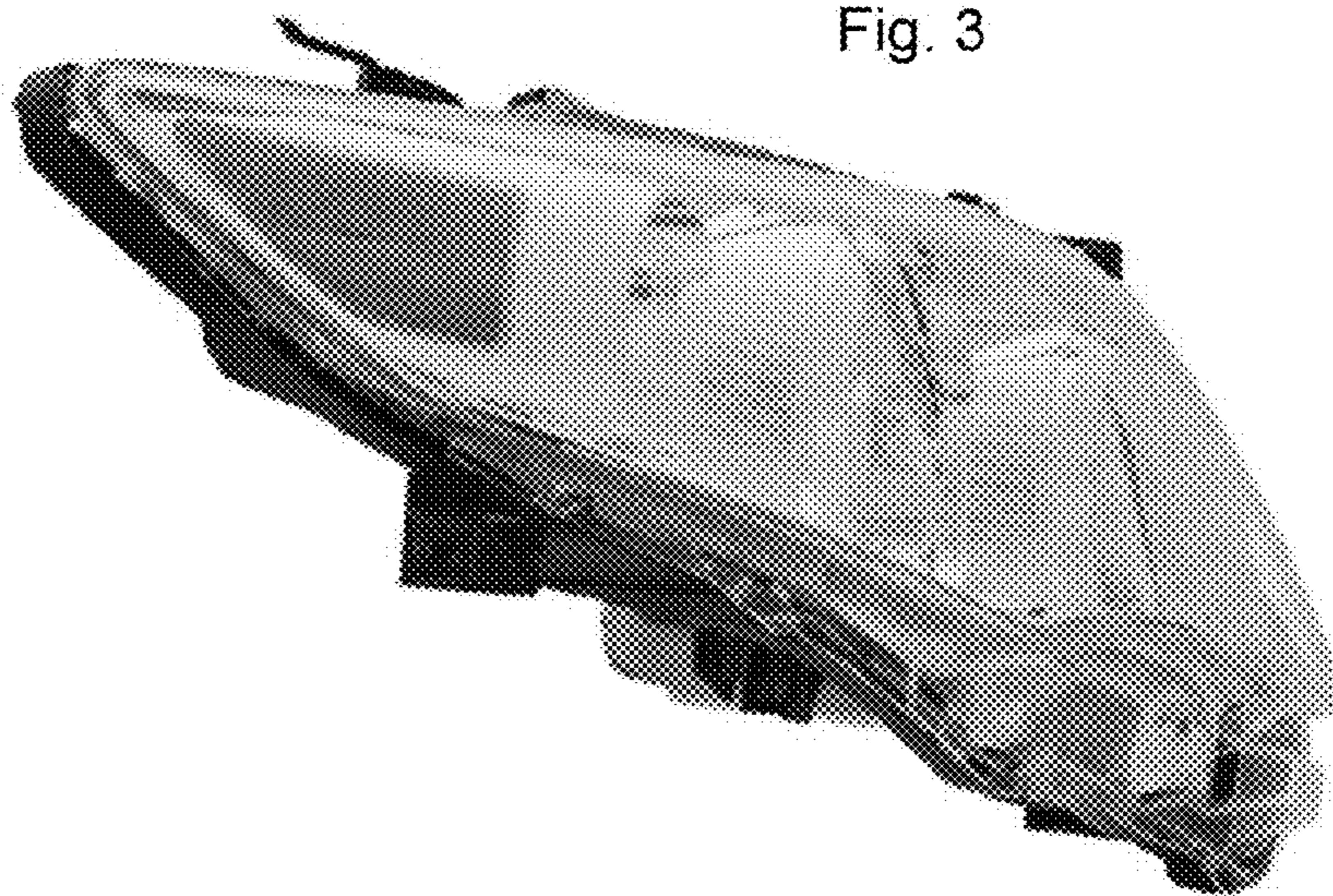
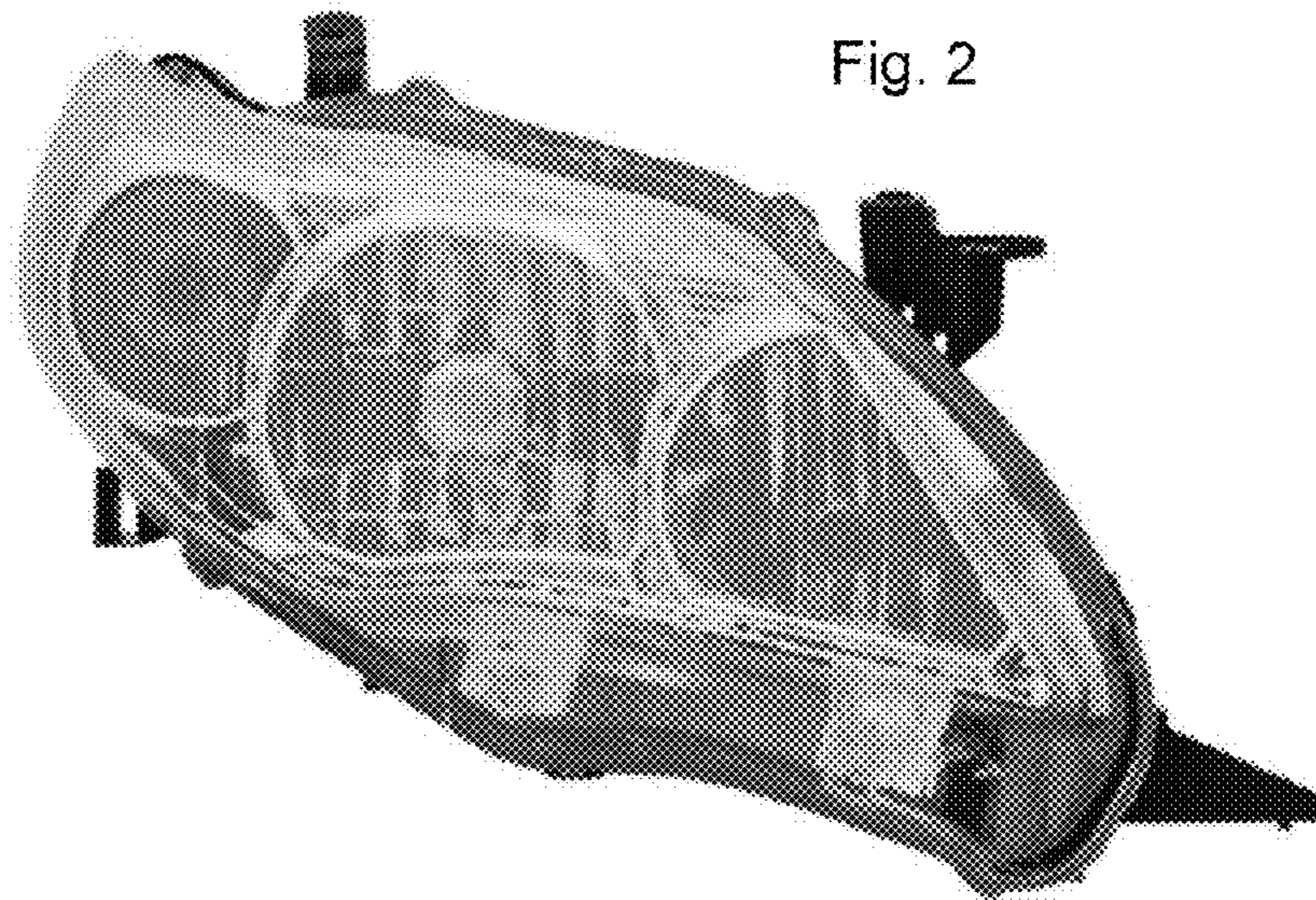
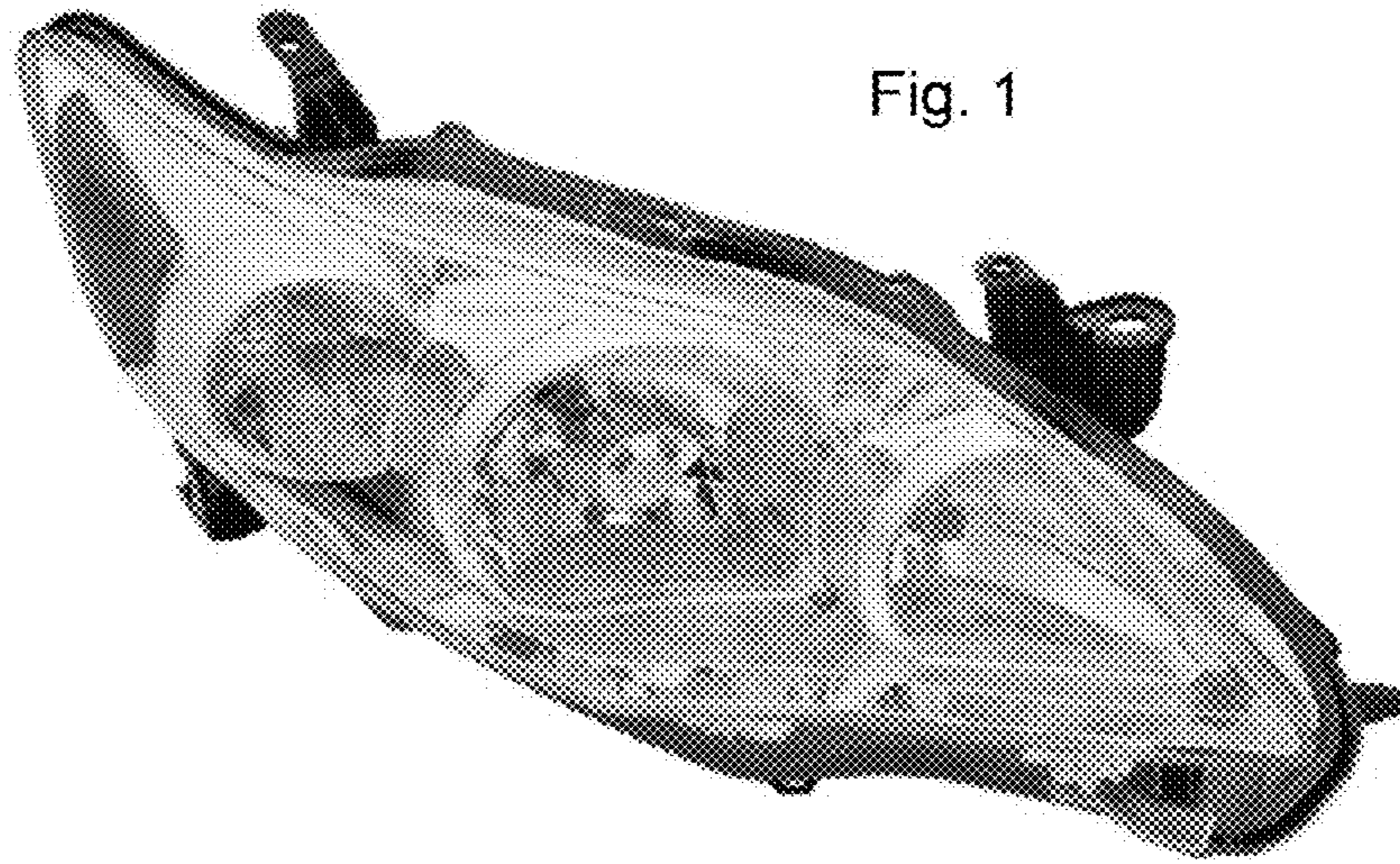
FIG. 3 is a left-side view thereof;

FIG. 4 is a top view thereof; and,

FIG. 5 is a bottom view thereof.

**1 Claim, 2 Drawing Sheets**





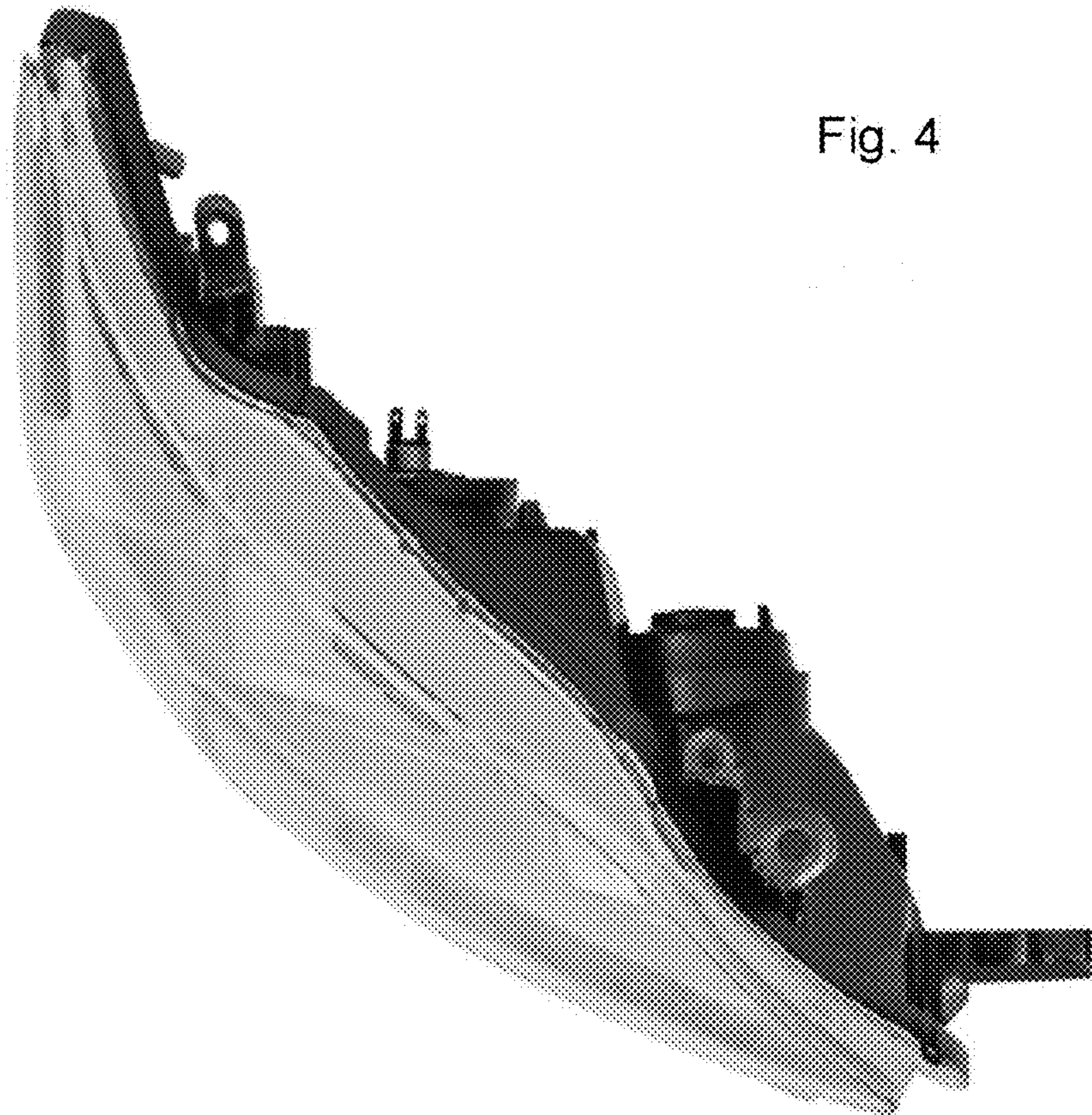


Fig. 4

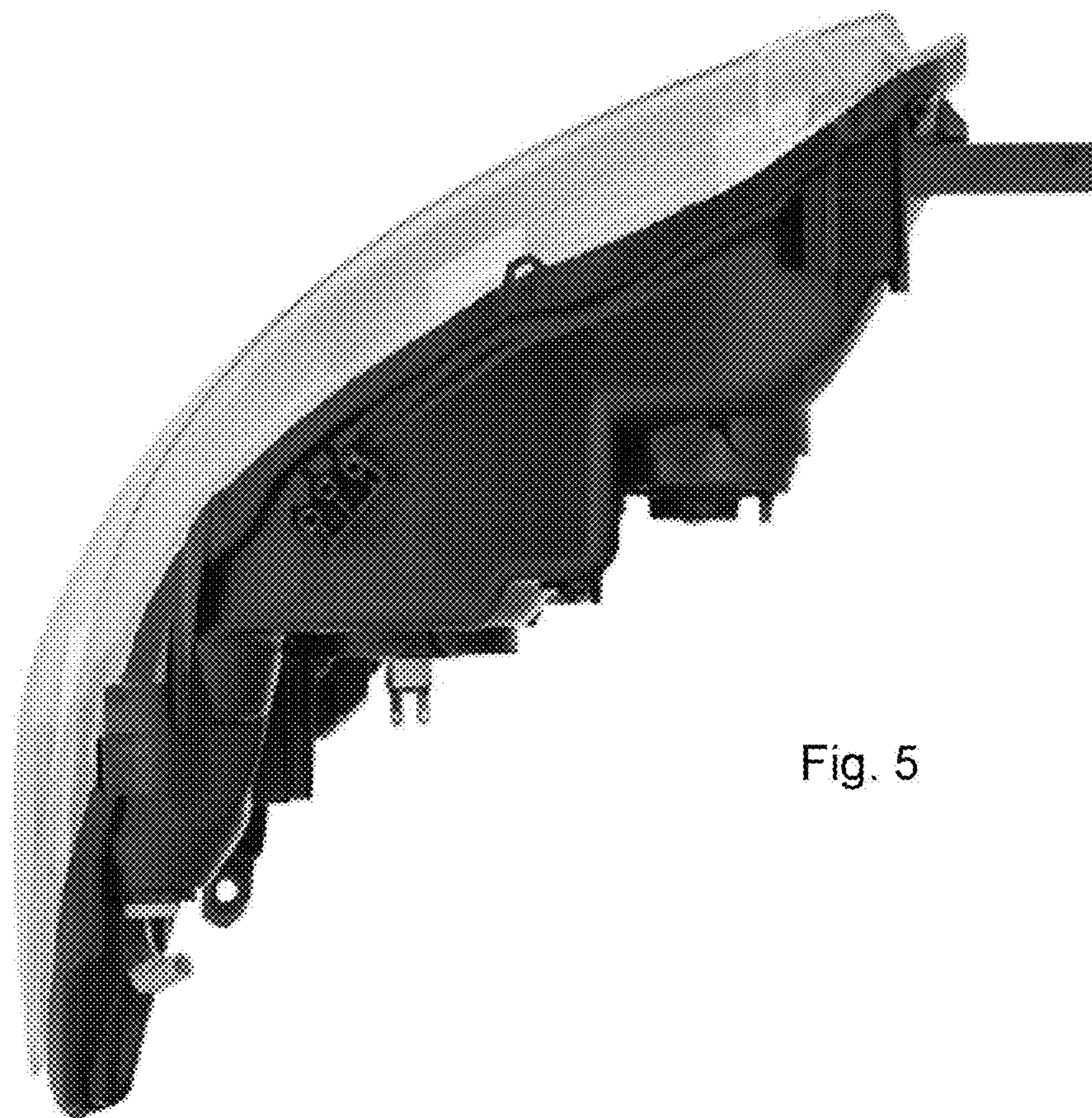


Fig. 5