



US00D632409S

(12) **United States Design Patent**
Qiu

(10) **Patent No.:** **US D632,409 S**

(45) **Date of Patent:** **** Feb. 8, 2011**

(54) **LED LIGHT BULB**

(76) **Inventor:** **Fu jun Qiu**, No. 669, Jin Yuan Road,
Yinzhou Investment Zone, Yinzhou
District, Ningbo (CN)

(**) **Term:** **14 Years**

(21) **Appl. No.:** **29/370,315**

(22) **Filed:** **Jun. 30, 2010**

(51) **LOC (9) Cl.** **26-04**

(52) **U.S. Cl.** **D26/2**

(58) **Field of Classification Search** D26/1-4;
313/313, 315, 316, 317, 318, 493; 315/52,
315/53, 56, 57, 58

See application file for complete search history.

(56) **References Cited**

U.S. PATENT DOCUMENTS

D508,575 S *	8/2005	Buschmann et al.	D26/2
D528,227 S *	9/2006	Chou et al.	D26/2
D531,741 S *	11/2006	Takahashi	D26/2
D534,665 S *	1/2007	Egawa et al.	D26/2
D538,953 S *	3/2007	Mama	D26/2
D541,440 S *	4/2007	Feit	D26/2

D553,267 S *	10/2007	Yuen	D26/2
D581,556 S *	11/2008	To et al.	D26/2
D600,367 S *	9/2009	Bertram et al.	D26/2

* cited by examiner

Primary Examiner—Marcus A Jackson

(74) *Attorney, Agent, or Firm*—Raymond Y. Chan; David and Raymond Patent Firm

(57) **CLAIM**

The ornamental design for a LED light bulb, as shown and described.

DESCRIPTION

FIG. 1 is a perspective view of LED light bulb showing my new design.

FIG. 2 is a left view thereof.

FIG. 3 is a right view thereof.

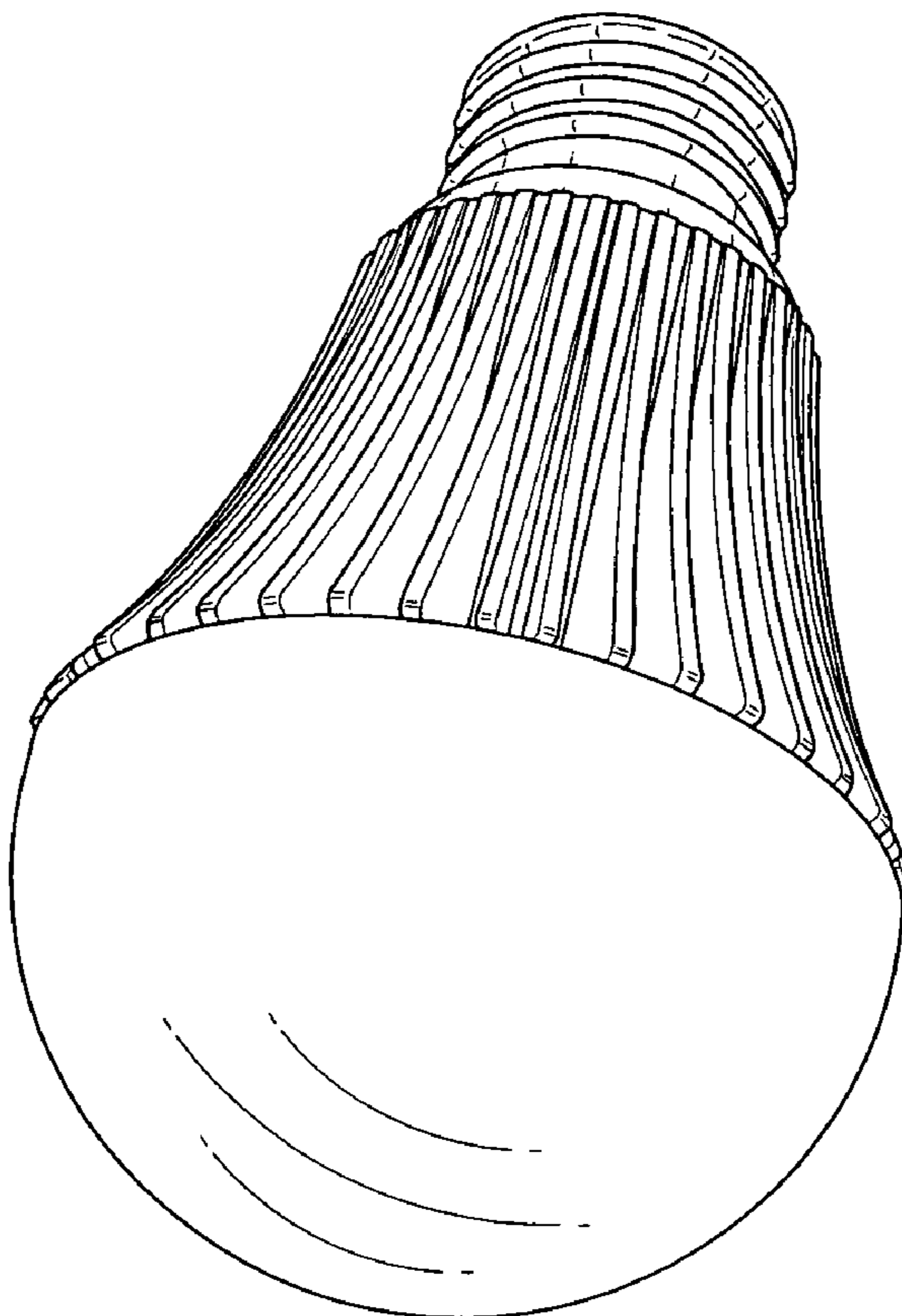
FIG. 4 is a front view thereof.

FIG. 5 is a rear view thereof.

FIG. 6 is a top view thereof; and,

FIG. 7 is a bottom view thereof.

1 Claim, 7 Drawing Sheets



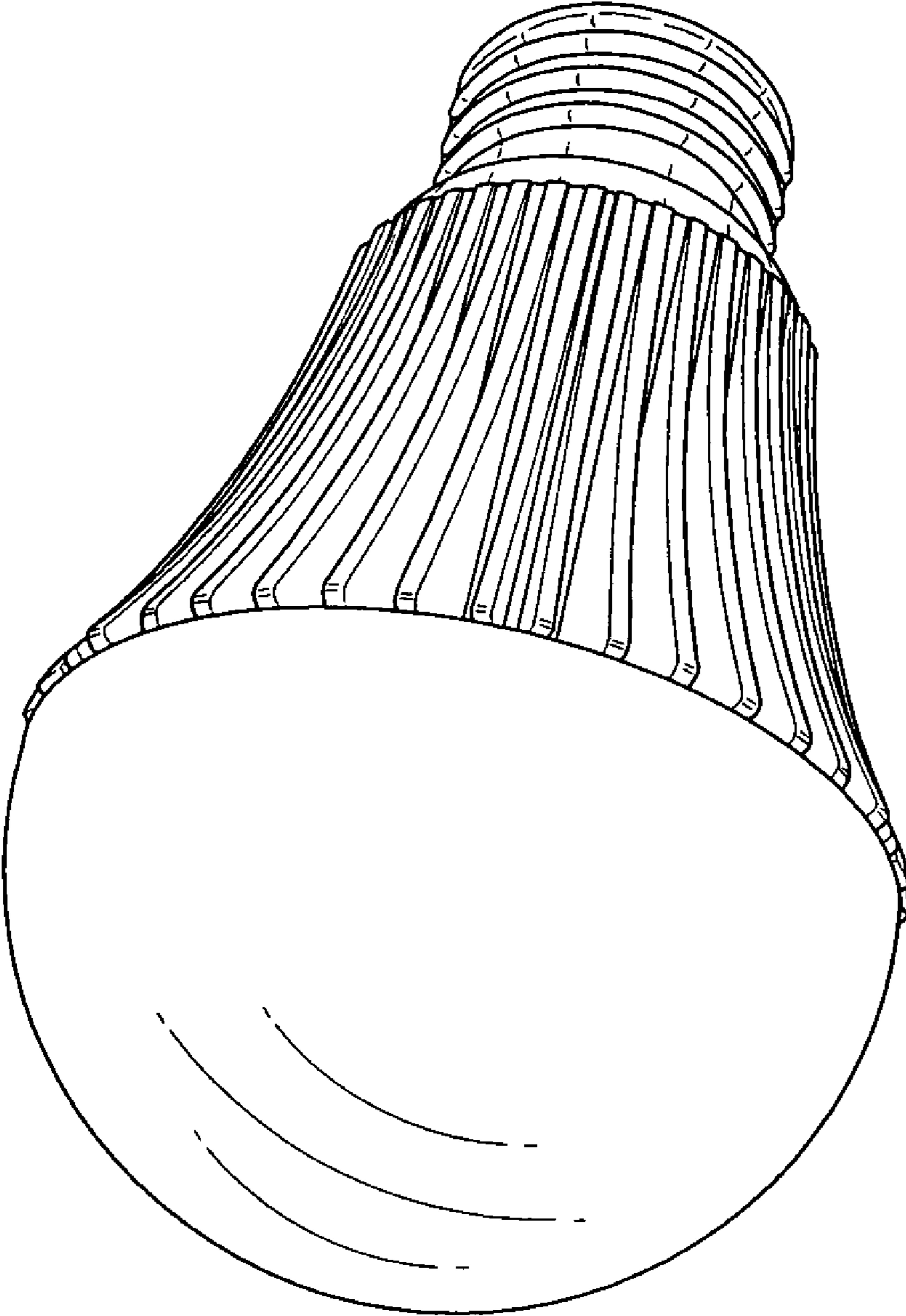


FIG. 1

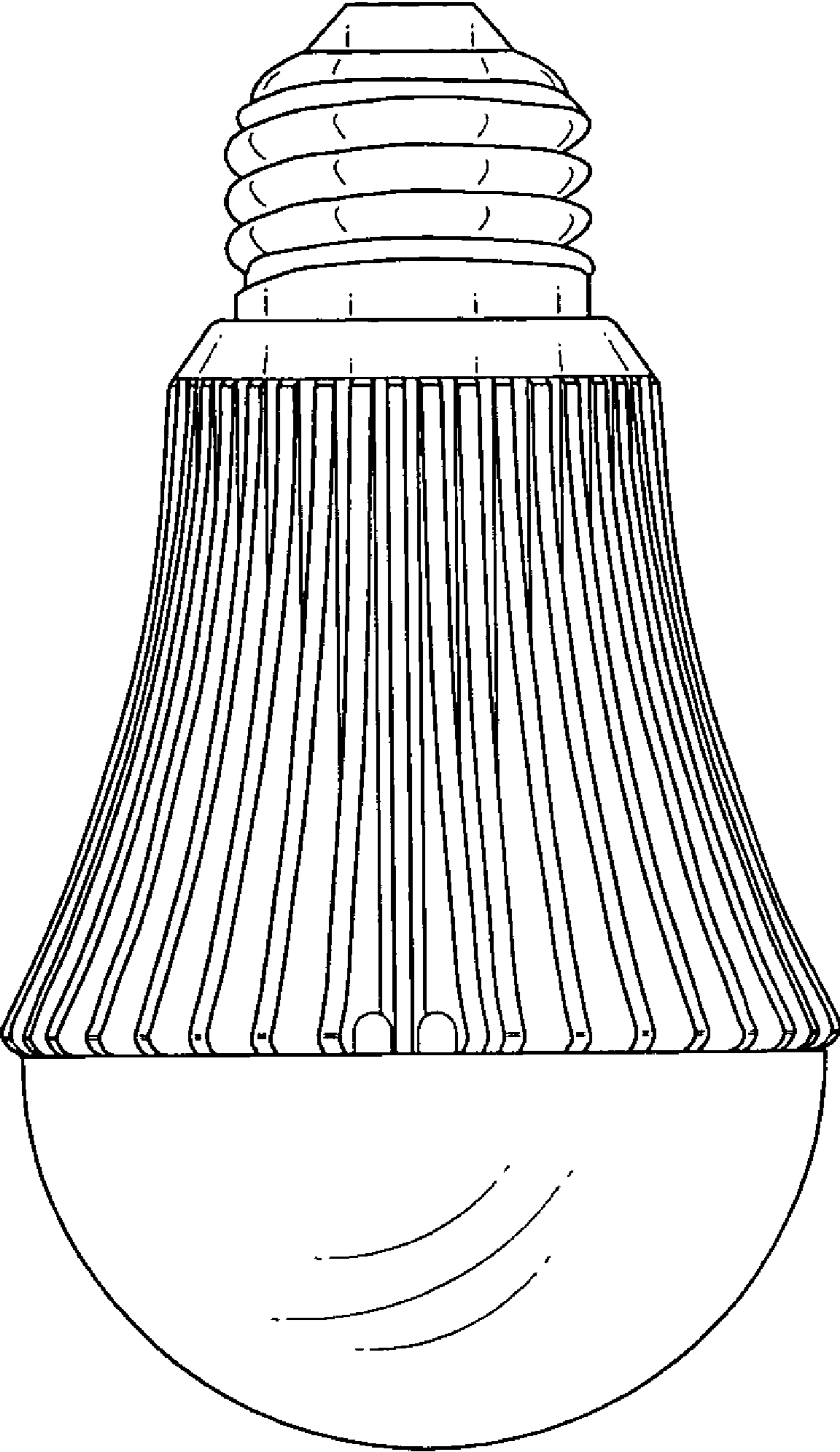


FIG. 2

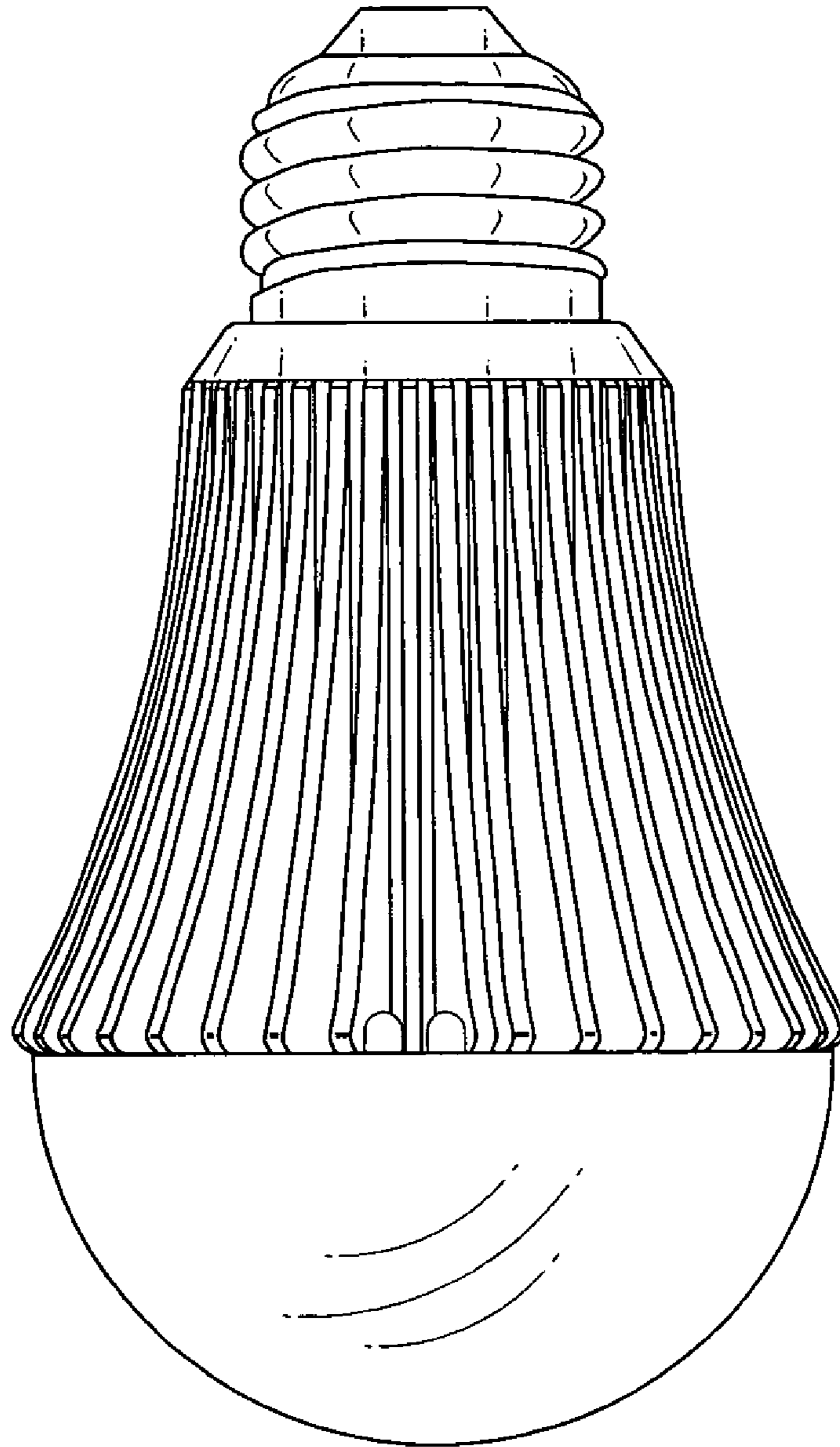


FIG. 3

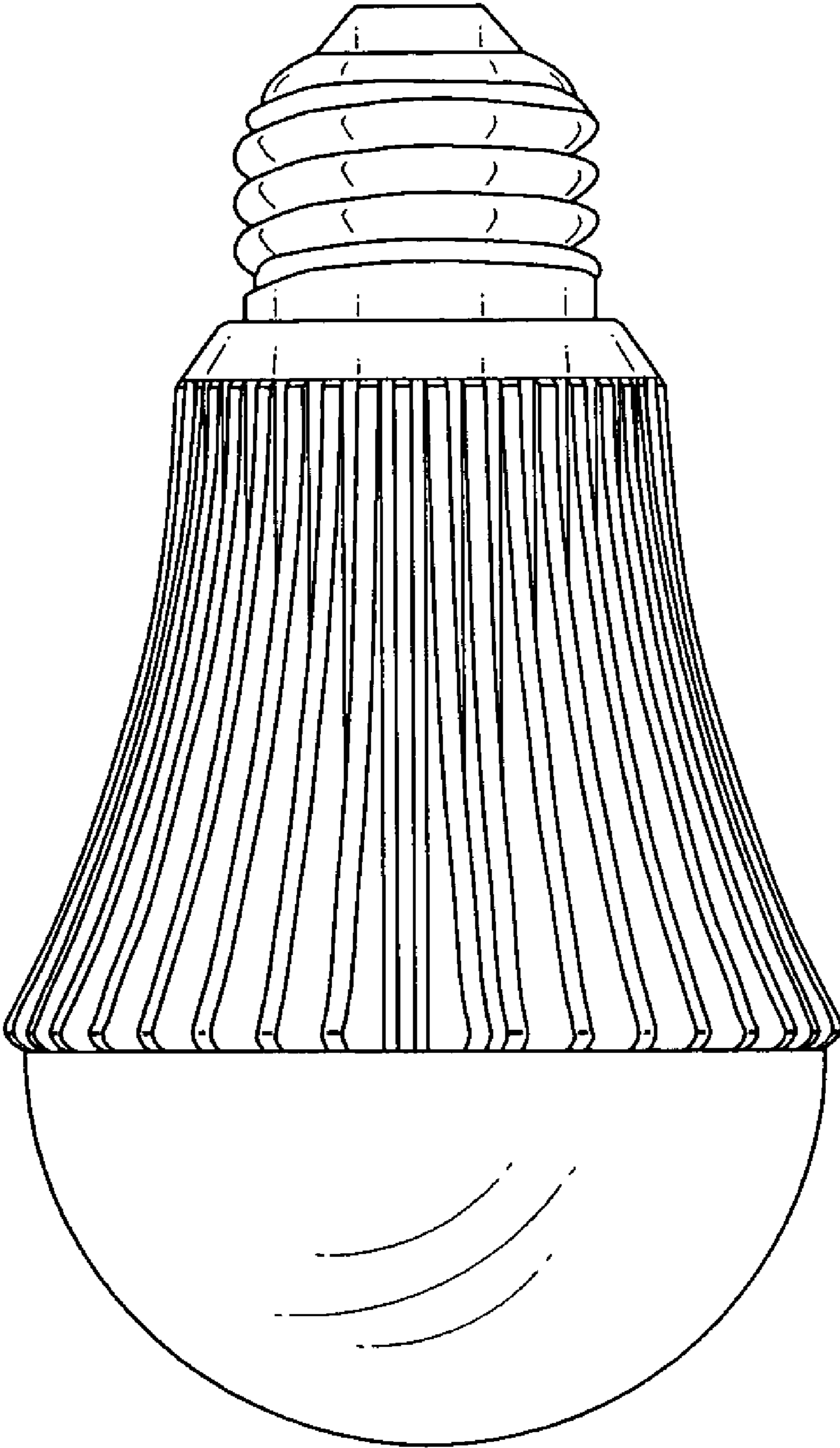


FIG.4

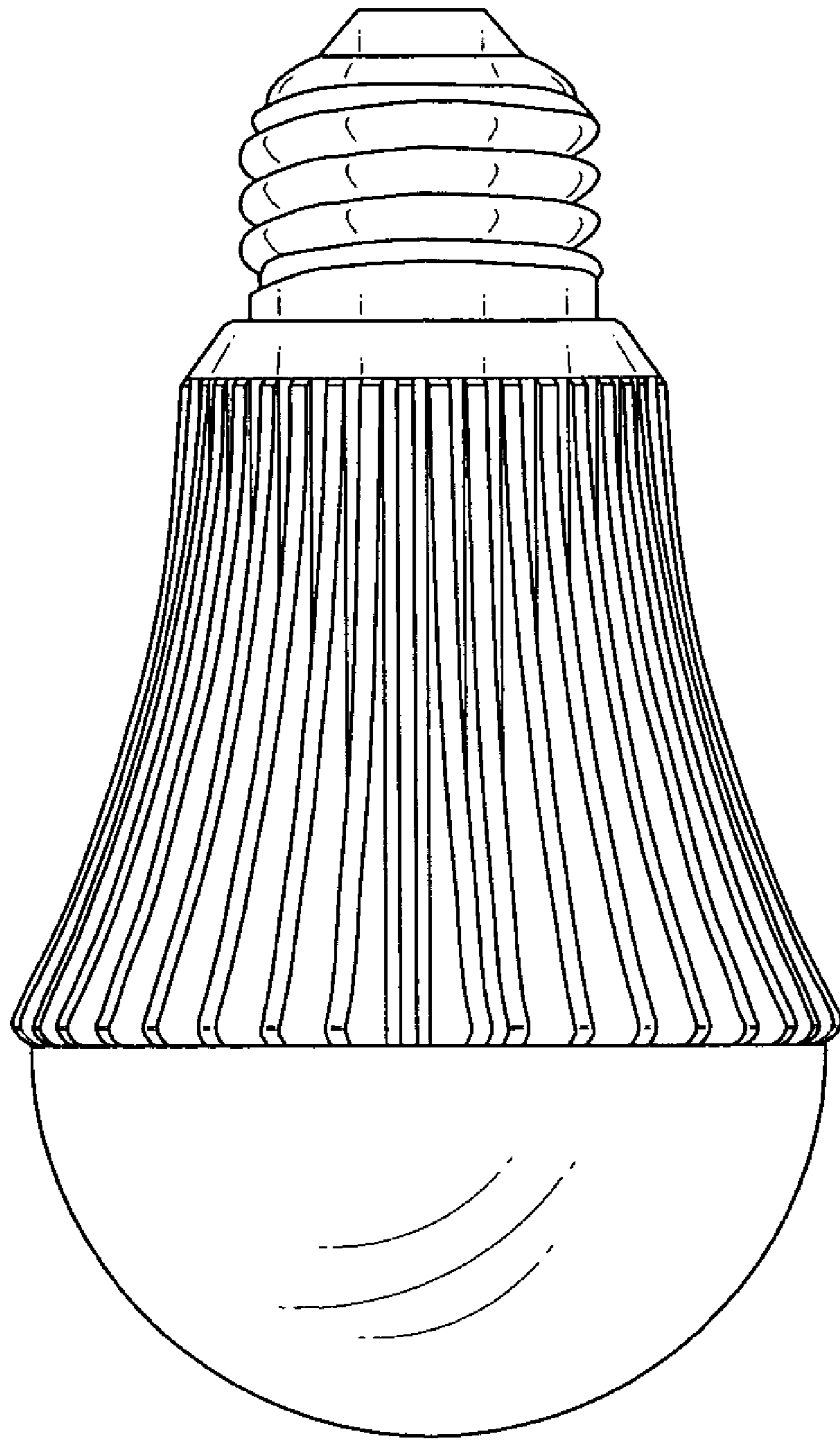


FIG. 5

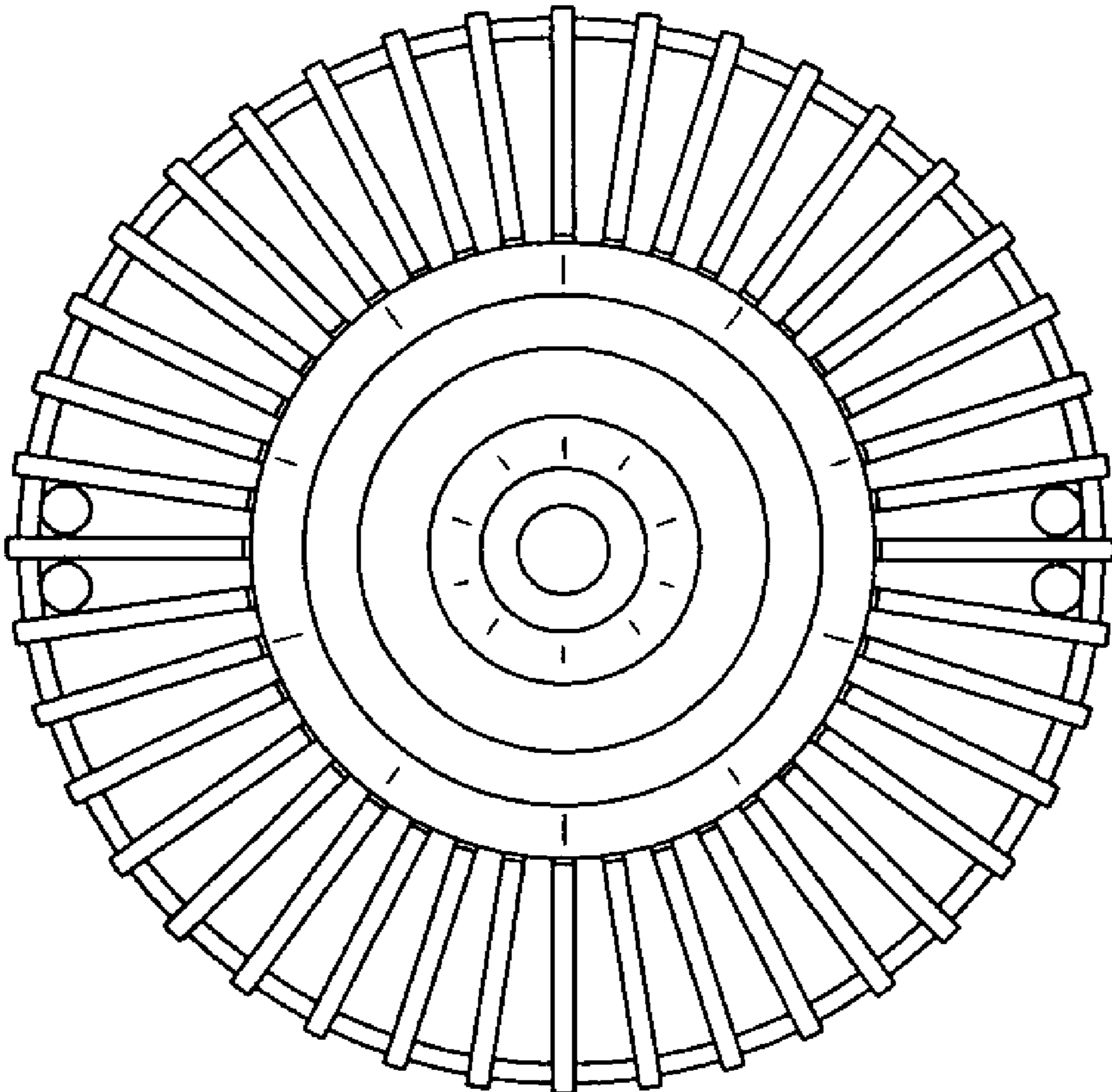


FIG. 6

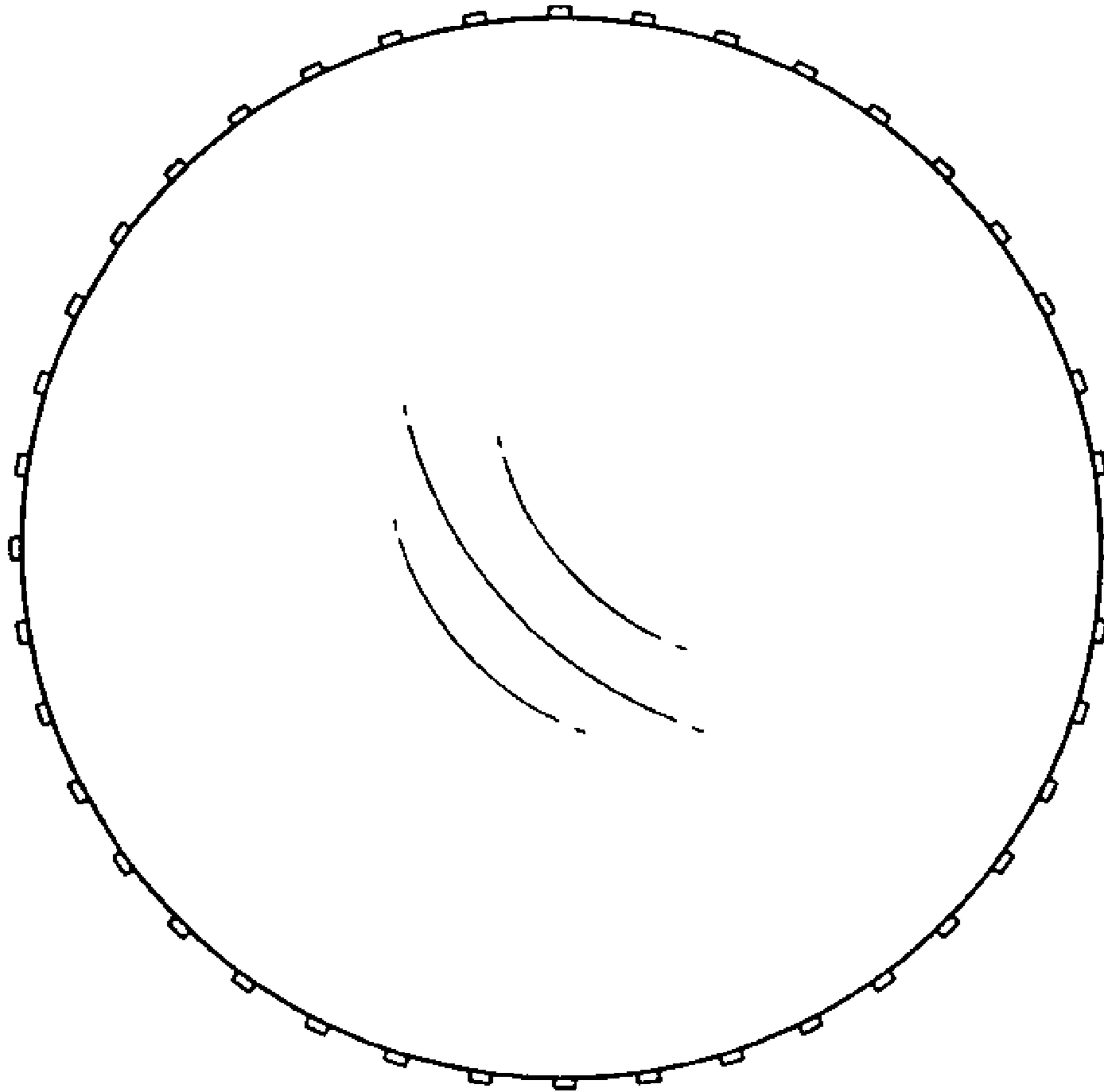


FIG. 7