



US00D632406S

(12) **United States Design Patent**
Wei

(10) **Patent No.:** **US D632,406 S**
(45) **Date of Patent:** **** Feb. 8, 2011**

- (54) **LED BALL LAMP**
- (75) Inventor: **Wen-Chen Wei**, Taipei (TW)
- (73) Assignee: **Neng Tyi Precision Industries Co., Ltd.**, Taipei (TW)
- (**) Term: **14 Years**
- (21) Appl. No.: **29/355,506**
- (22) Filed: **Feb. 9, 2010**
- (30) **Foreign Application Priority Data**
Dec. 23, 2009 (TW) 98306198
- (51) **LOC (9) Cl.** **26-04**
- (52) **U.S. Cl.** **D26/2**
- (58) **Field of Classification Search** D26/1-4;
313/313, 315, 316, 317, 318, 493; 315/52,
315/53, 56, 57, 58
See application file for complete search history.

- D601,278 S * 9/2009 Takahashi D26/2
- D602,614 S * 10/2009 Takahashi et al. D26/2
- D617,915 S * 6/2010 Wada et al. D26/2
- D620,155 S * 7/2010 Wang et al. D26/2

* cited by examiner

Primary Examiner—Marcus A Jackson
(74) *Attorney, Agent, or Firm*—Muncy, Geissler, Olds & Lowe, PLLC

(57) **CLAIM**

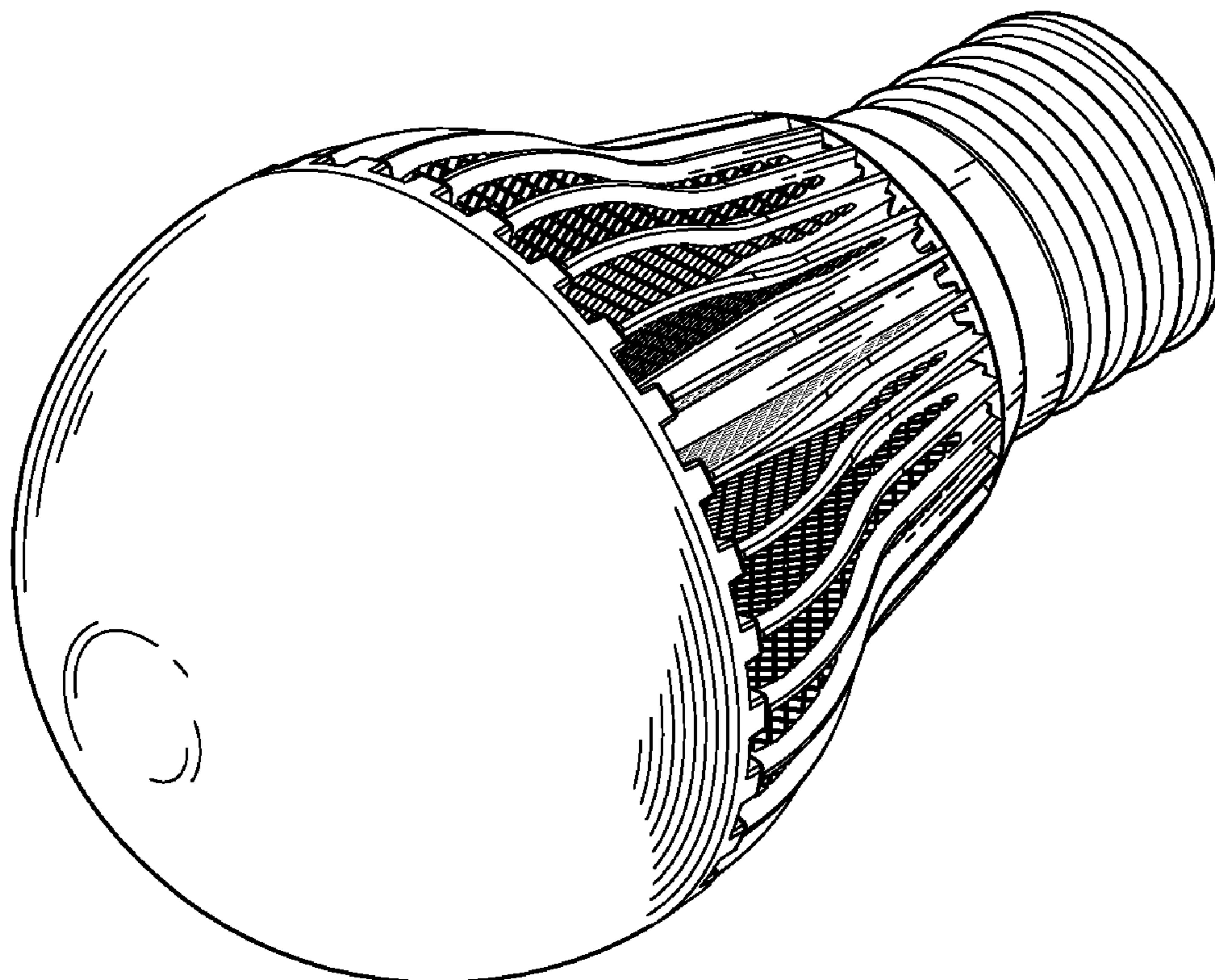
The ornamental design for a “LED ball lamp,” as shown and described.

DESCRIPTION

FIG. 1 is a perspective view of a “LED ball lamp” showing my design;
FIG. 2 is a front view thereof;
FIG. 3 is a rear view thereof;
FIG. 4 is a left side view thereof;
FIG. 5 is a right side view thereof;
FIG. 6 is a top view thereof; and,
FIG. 7 is a bottom view thereof.

1 Claim, 5 Drawing Sheets

- (56) **References Cited**
U.S. PATENT DOCUMENTS
D541,440 S * 4/2007 Feit D26/2
D581,556 S * 11/2008 To et al. D26/2
D598,143 S * 8/2009 Gerritsen D26/2



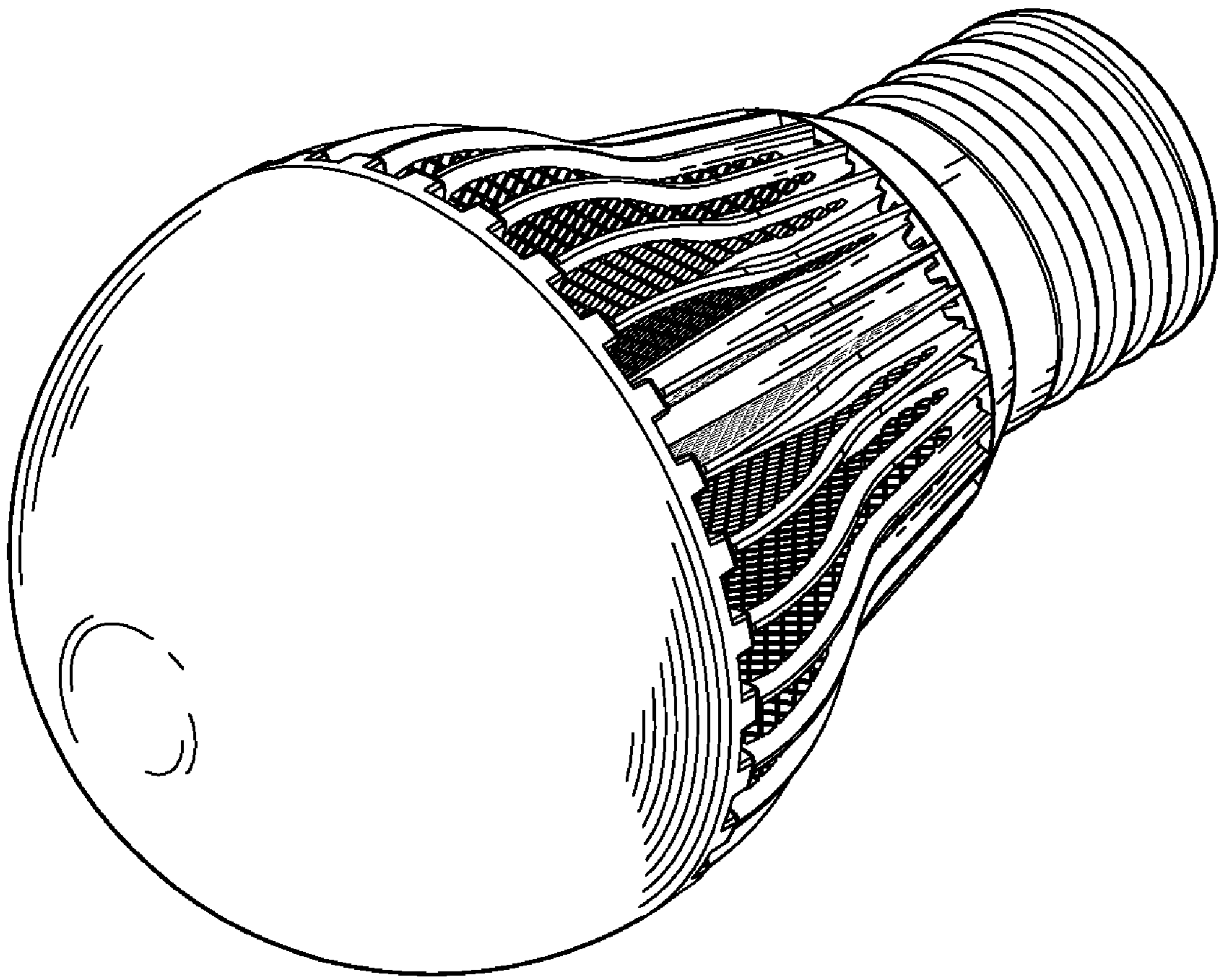


FIG. 1

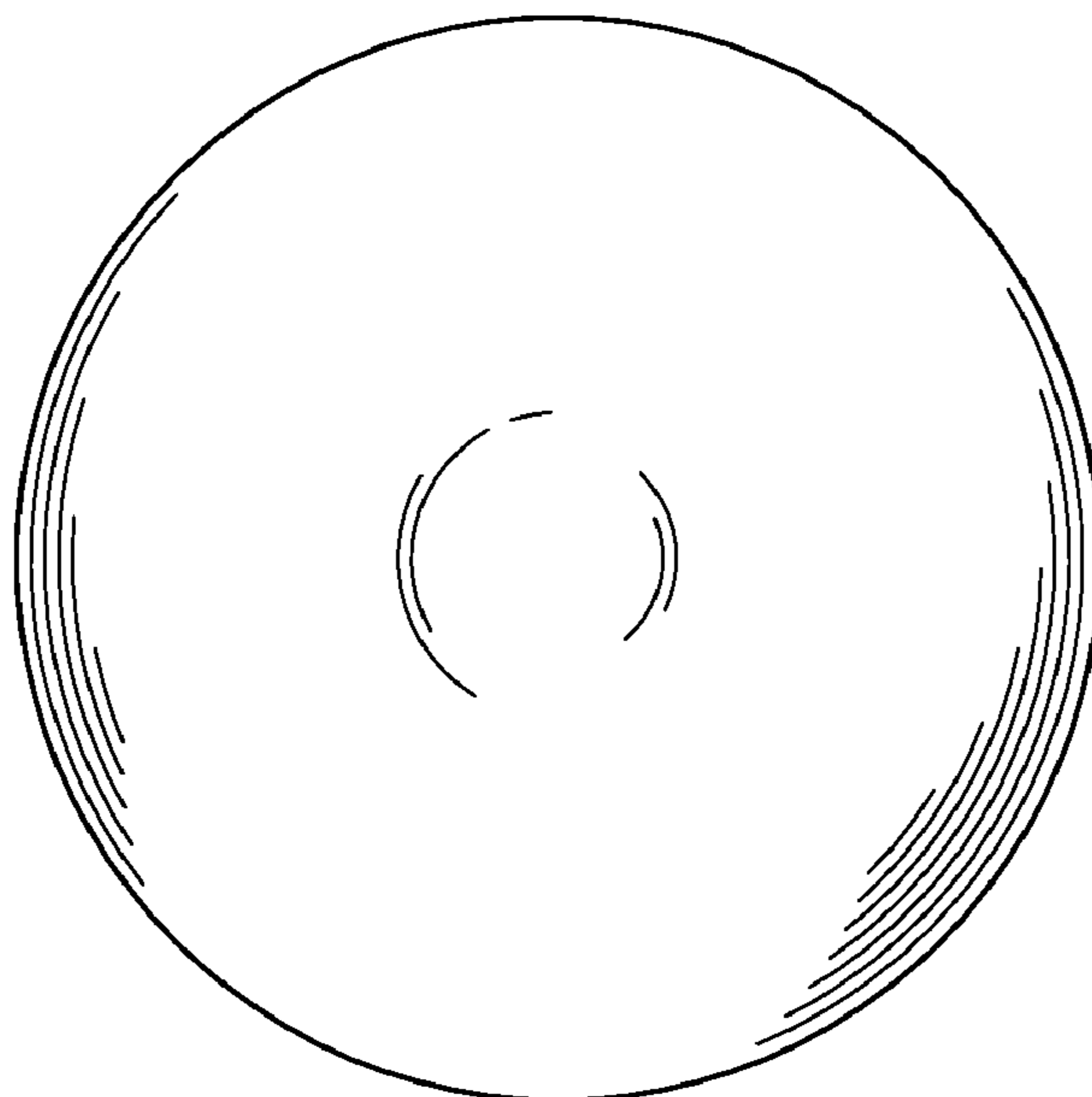


FIG. 2

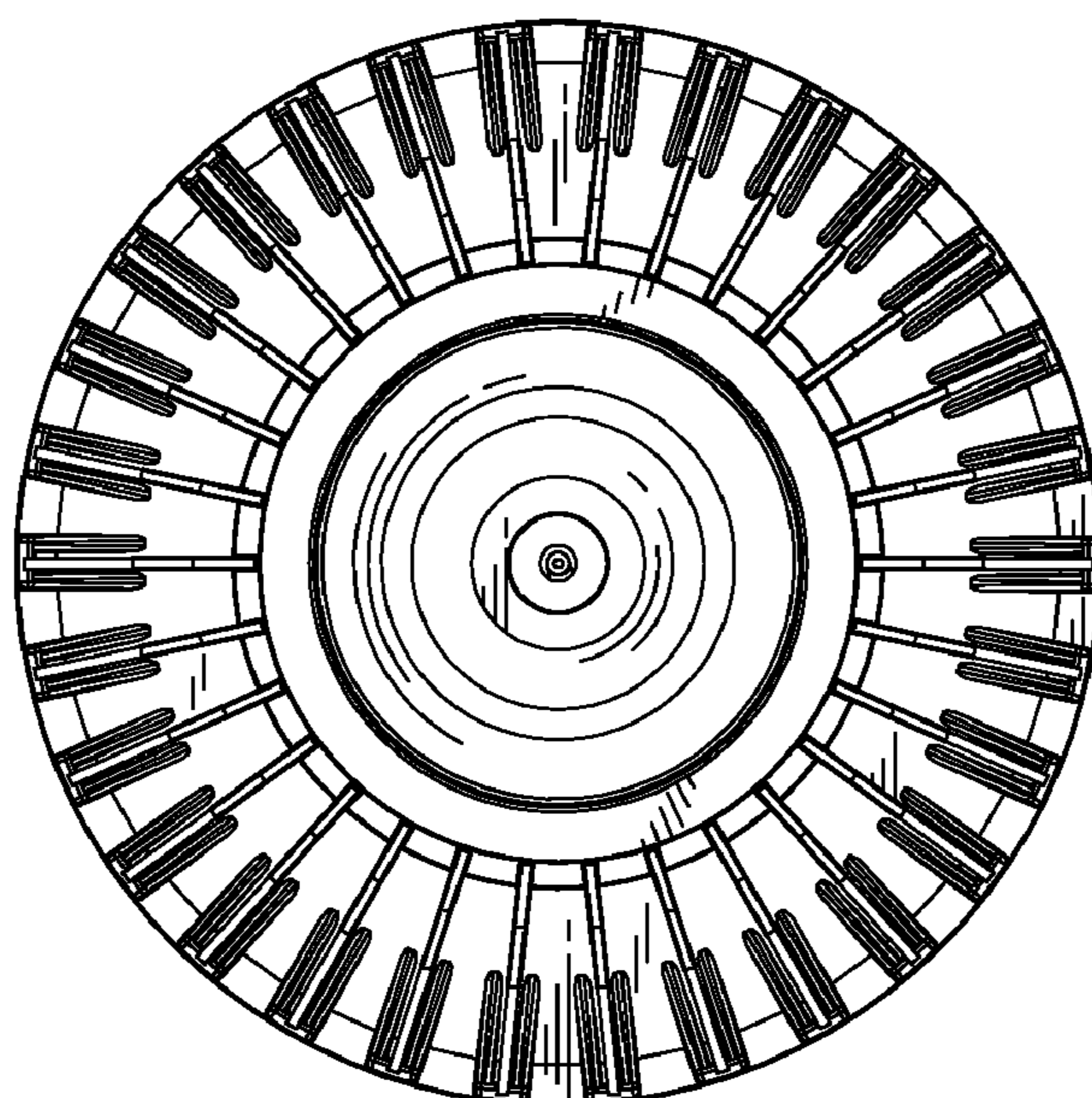


FIG. 3

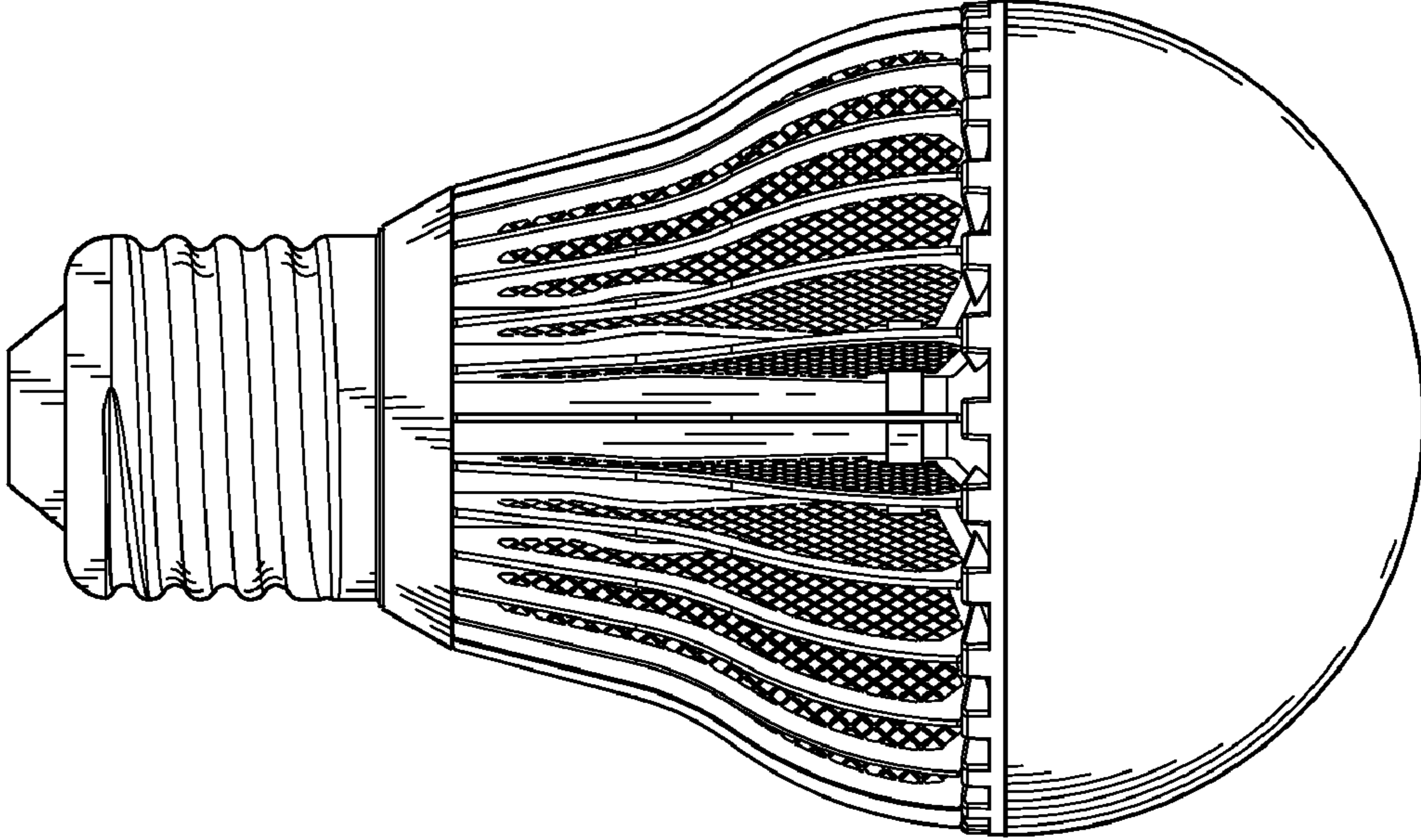


FIG. 4

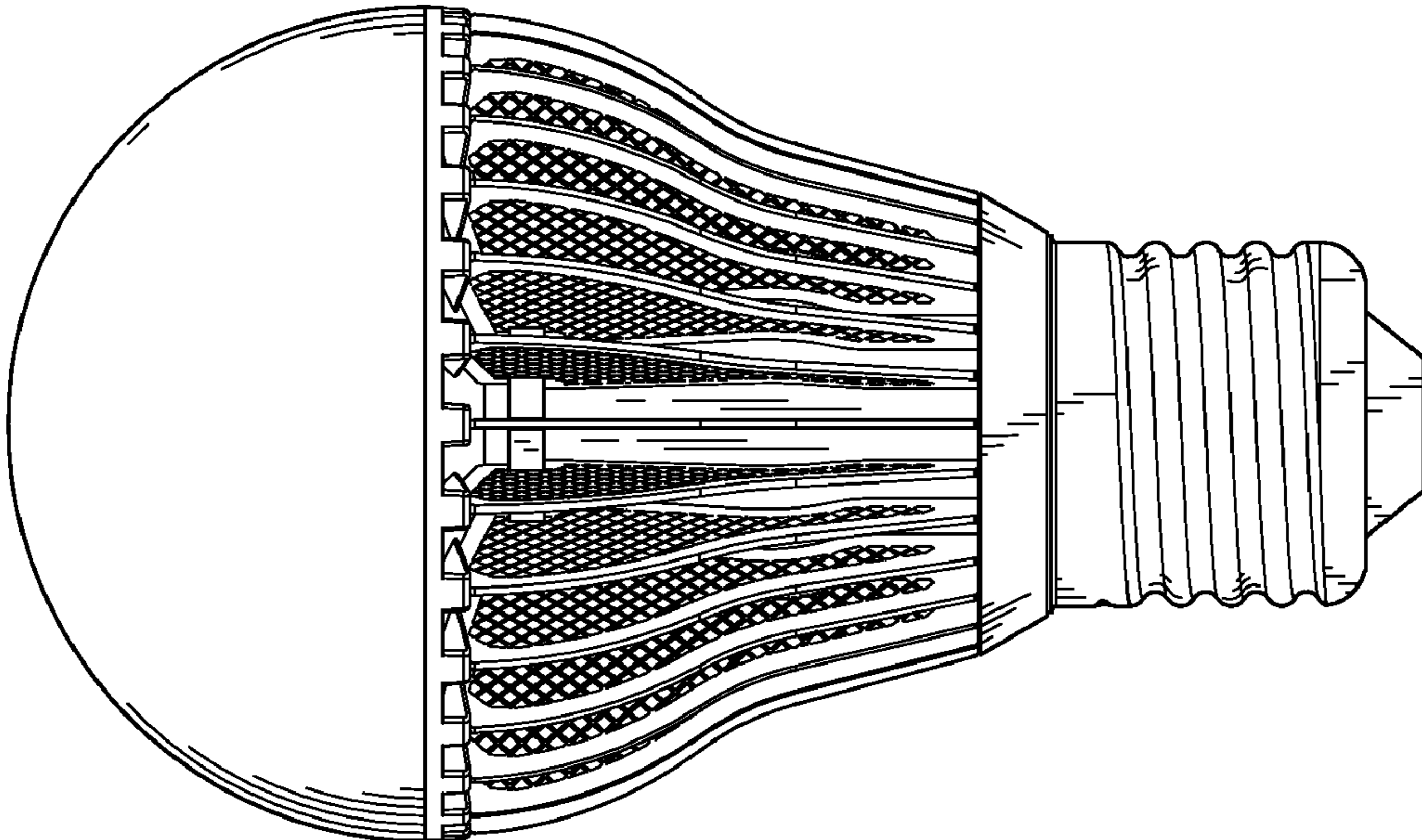


FIG. 5

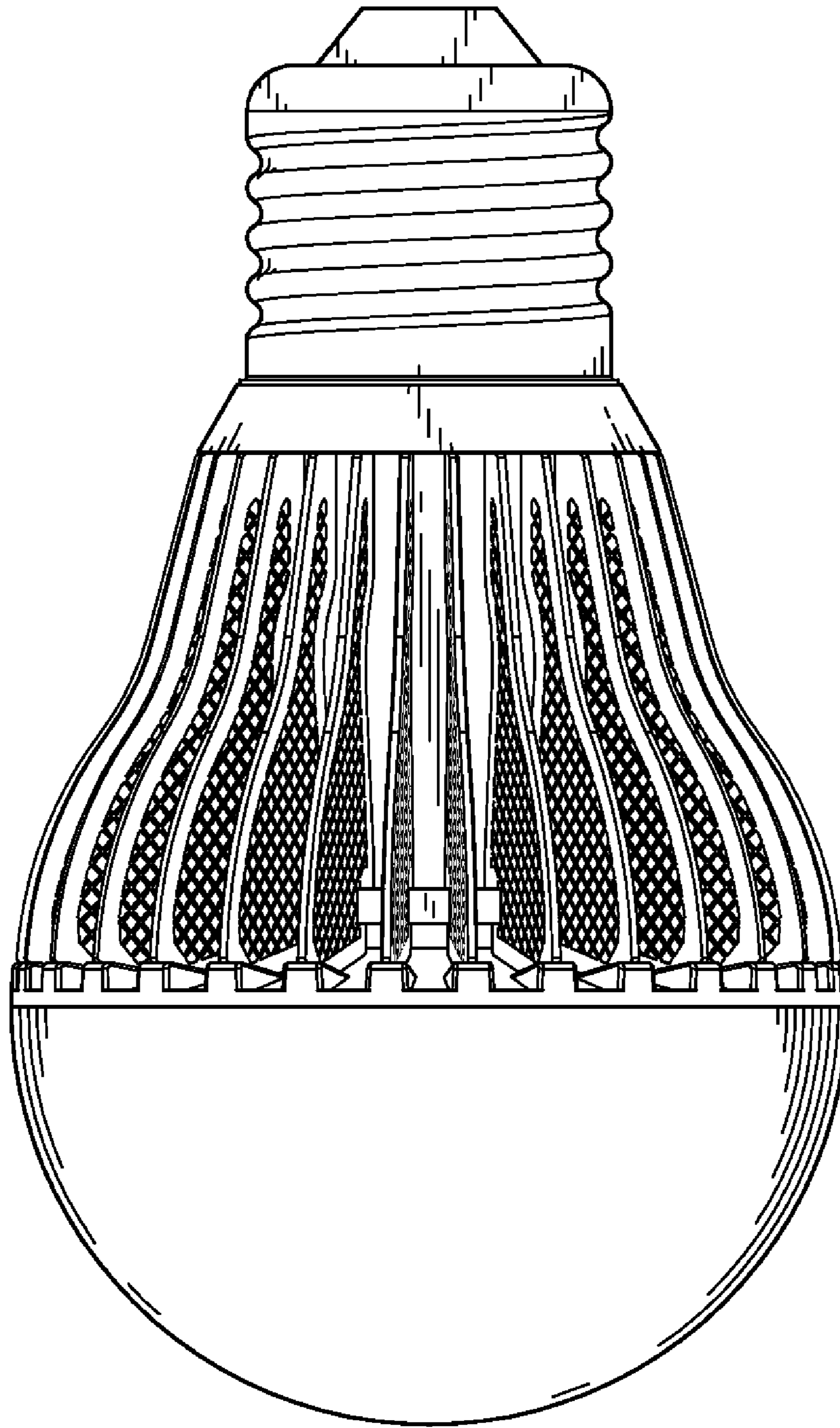


FIG. 6

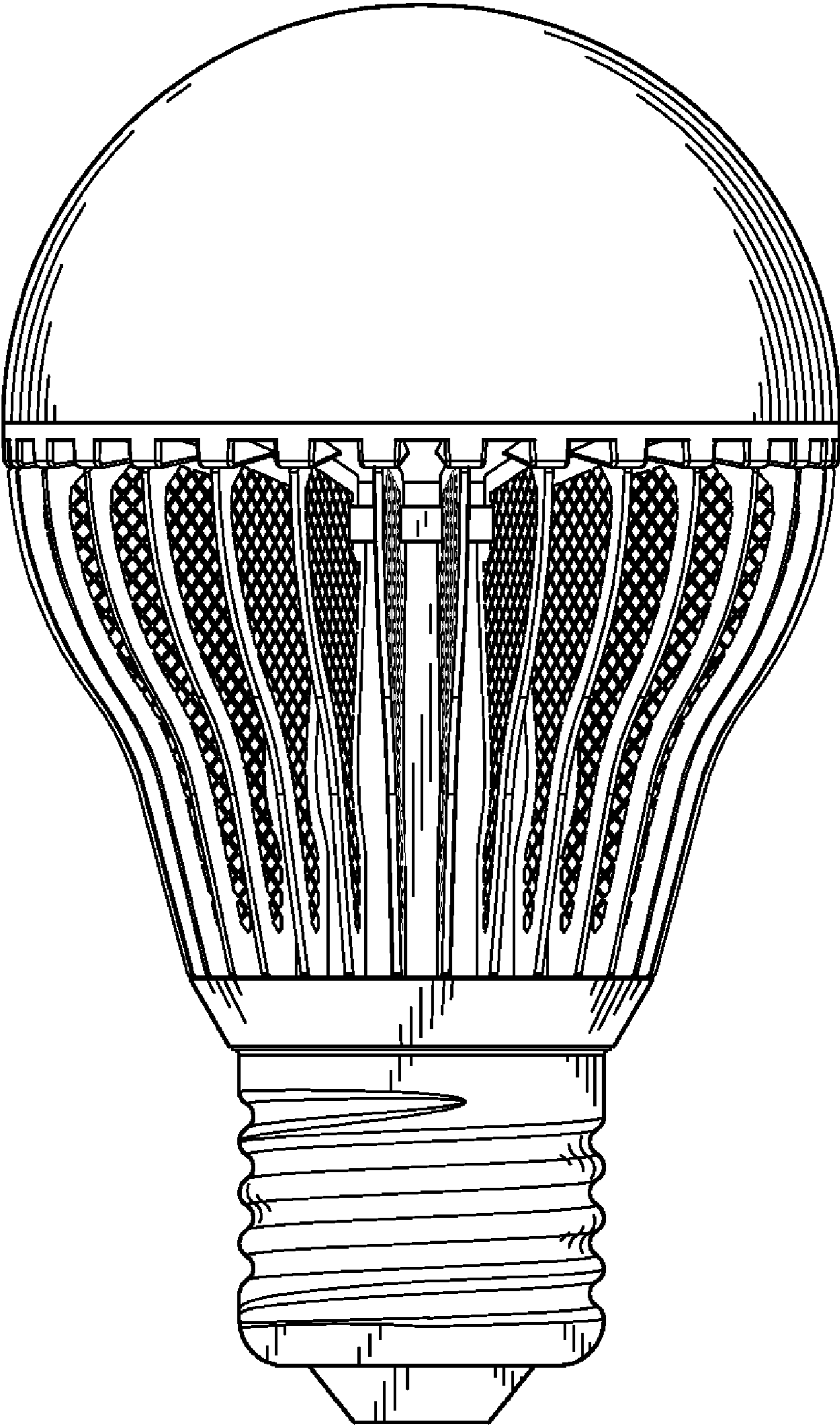


FIG. 7