



US00D632403S

(12) **United States Design Patent**
Griffiths

(10) **Patent No.:** **US D632,403 S**
(45) **Date of Patent:** **** Feb. 8, 2011**

(54) **SLIDE CARRIER**

(75) Inventor: **Paul Scott Griffiths**, Herts (GB)

(73) Assignee: **FFEI Ltd**, Herts (GB)

(**) Term: **14 Years**

(21) Appl. No.: **29/352,344**

(22) Filed: **Dec. 18, 2009**

(51) **LOC (9) Cl.** **24-02**

(52) **U.S. Cl.** **D24/227**

(58) **Field of Classification Search** D24/216,
D24/224-229, 231-232; D10/81, 103; D16/130-131;
422/55-57, 99, 104; 359/391, 393, 385
See application file for complete search history.

D500,142 S	12/2004	Crisanti et al.
D501,678 S	2/2005	Oberhardt
D512,512 S	12/2005	Bell et al.
D528,215 S	9/2006	Malmsater
D530,826 S	10/2006	Rich et al.
D531,321 S	10/2006	Godfrey et al.
D540,953 S	4/2007	Ramel et al.
D548,357 S	8/2007	Barbera-Guillem
7,294,502 B2	11/2007	Eckermann et al.
D559,995 S	1/2008	Handique et al.
D566,850 S	4/2008	Vermeiden
D569,990 S	5/2008	Fisch
D608,457 S	1/2010	Griffiths

* cited by examiner

Primary Examiner—T. Chase Nelson
Assistant Examiner—Mark Cavanna
(74) *Attorney, Agent, or Firm*—Kenyon & Kenyon LLP

(56) **References Cited**

U.S. PATENT DOCUMENTS

D262,057 S	11/1981	Parker	
D273,617 S *	4/1984	Parker D24/225
D277,699 S *	2/1985	Valencia D24/225
D290,042 S	5/1987	Ford	
D331,807 S	12/1992	Sodergren	
D420,746 S	2/2000	Cardy	
D423,678 S	4/2000	Fisch	
D431,300 S	9/2000	Fisch	
D431,301 S	9/2000	Fisch	
D456,082 S	4/2002	Bouse et al.	
6,372,514 B1	4/2002	Lee	
D461,561 S	8/2002	Pham	
D461,906 S	8/2002	Pham	
D467,348 S	12/2002	McMichael et al.	
D468,022 S	12/2002	Henderson et al.	
D470,597 S	2/2003	Peterson et al.	
D472,644 S	4/2003	Dawson et al.	
D495,805 S	9/2004	Lea et al.	
D495,806 S *	9/2004	Nørholm D24/225

(57) **CLAIM**

The ornamental design for a slide carrier, as shown and described.

DESCRIPTION

FIG. 1 is a perspective view of a slide carrier;
FIG. 2 is a top view thereof;
FIG. 3 is a bottom view thereof;
FIG. 4 is a side view thereof;
FIG. 5 is another side view thereof;
FIG. 6 is a front view thereof; and,
FIG. 7 is a back view thereof.

The broken lines are included for the purpose of illustrating portions of the slide carrier that form no part of the claimed design.

1 Claim, 5 Drawing Sheets

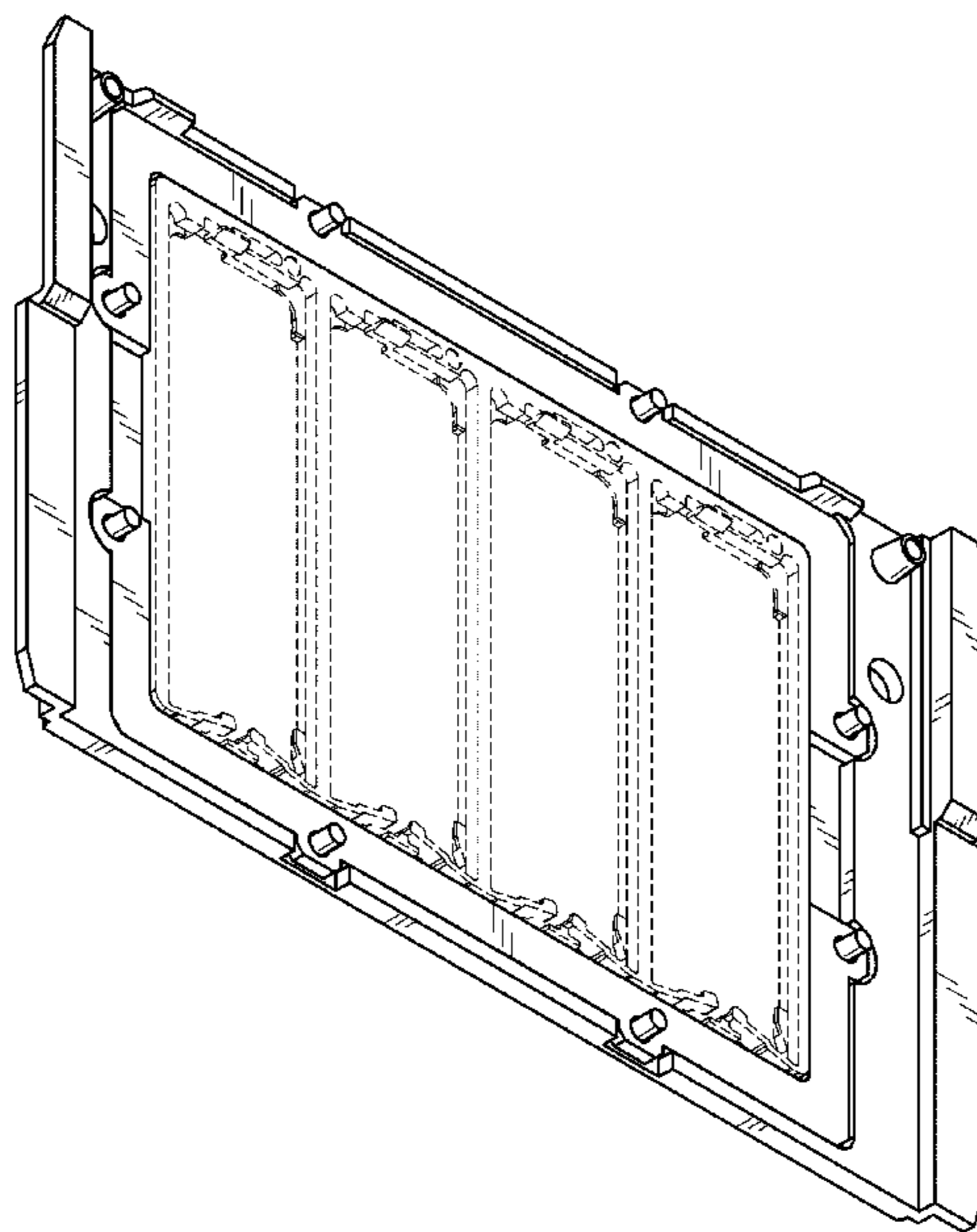


FIG. 1

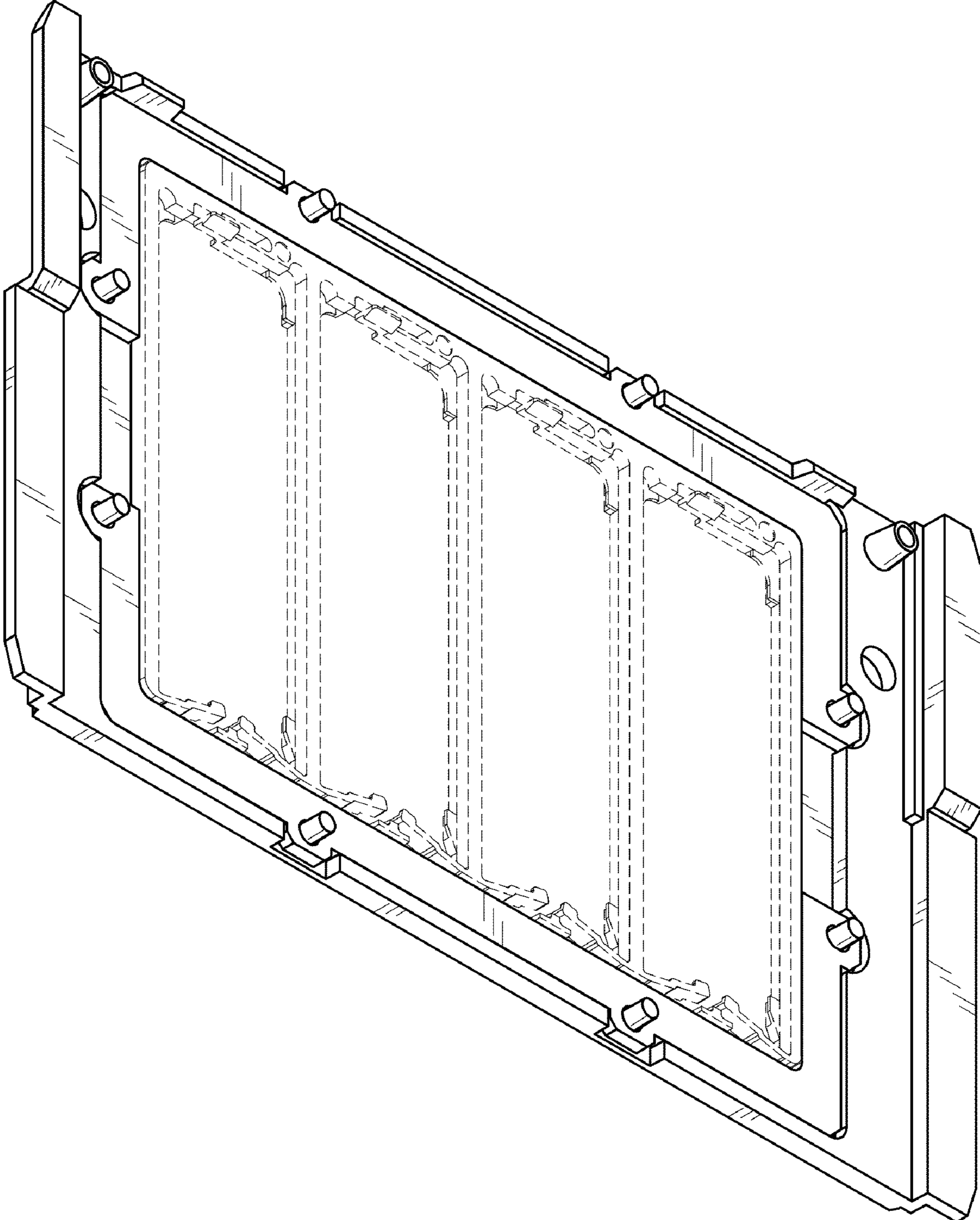


FIG. 2

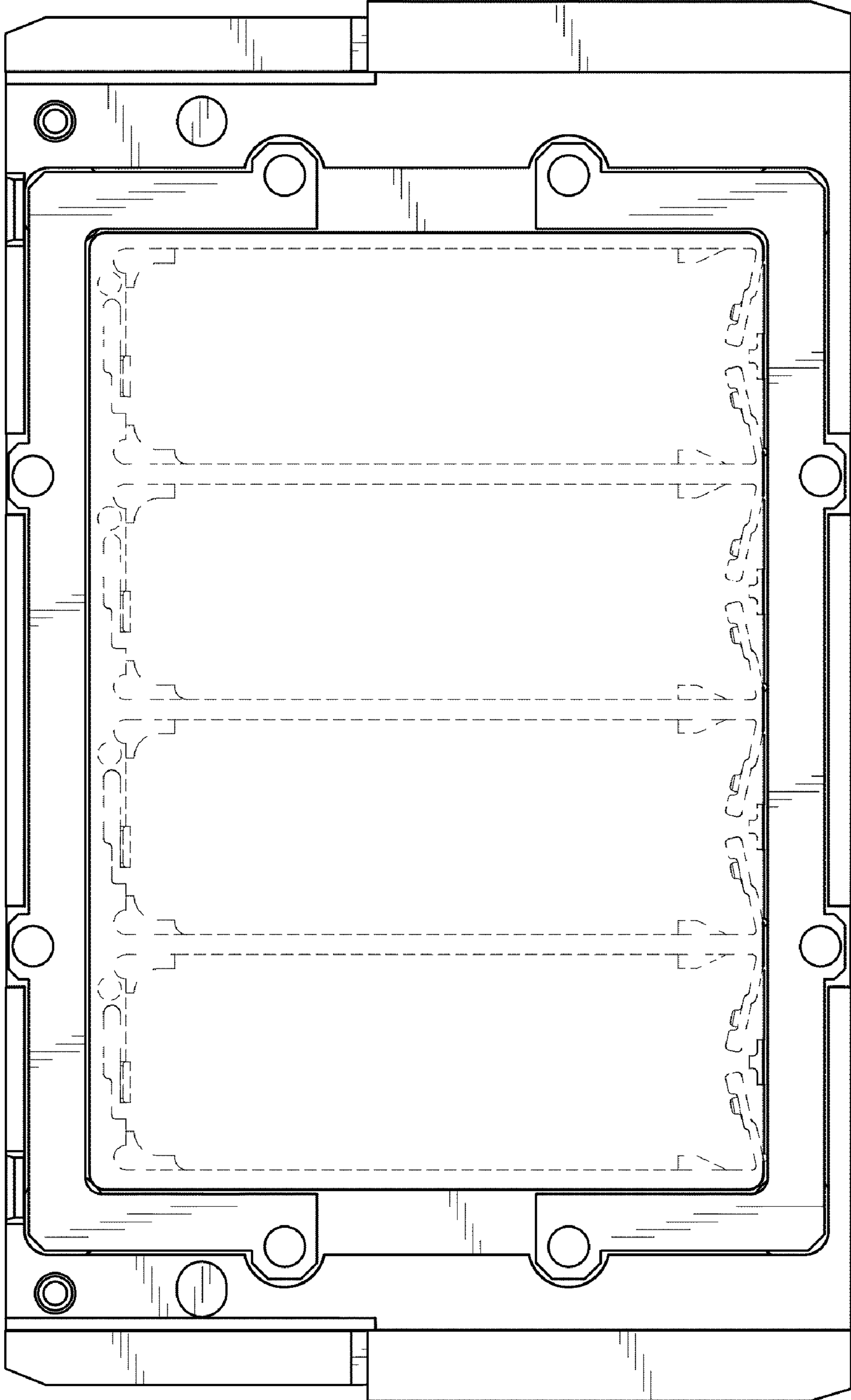


FIG. 3

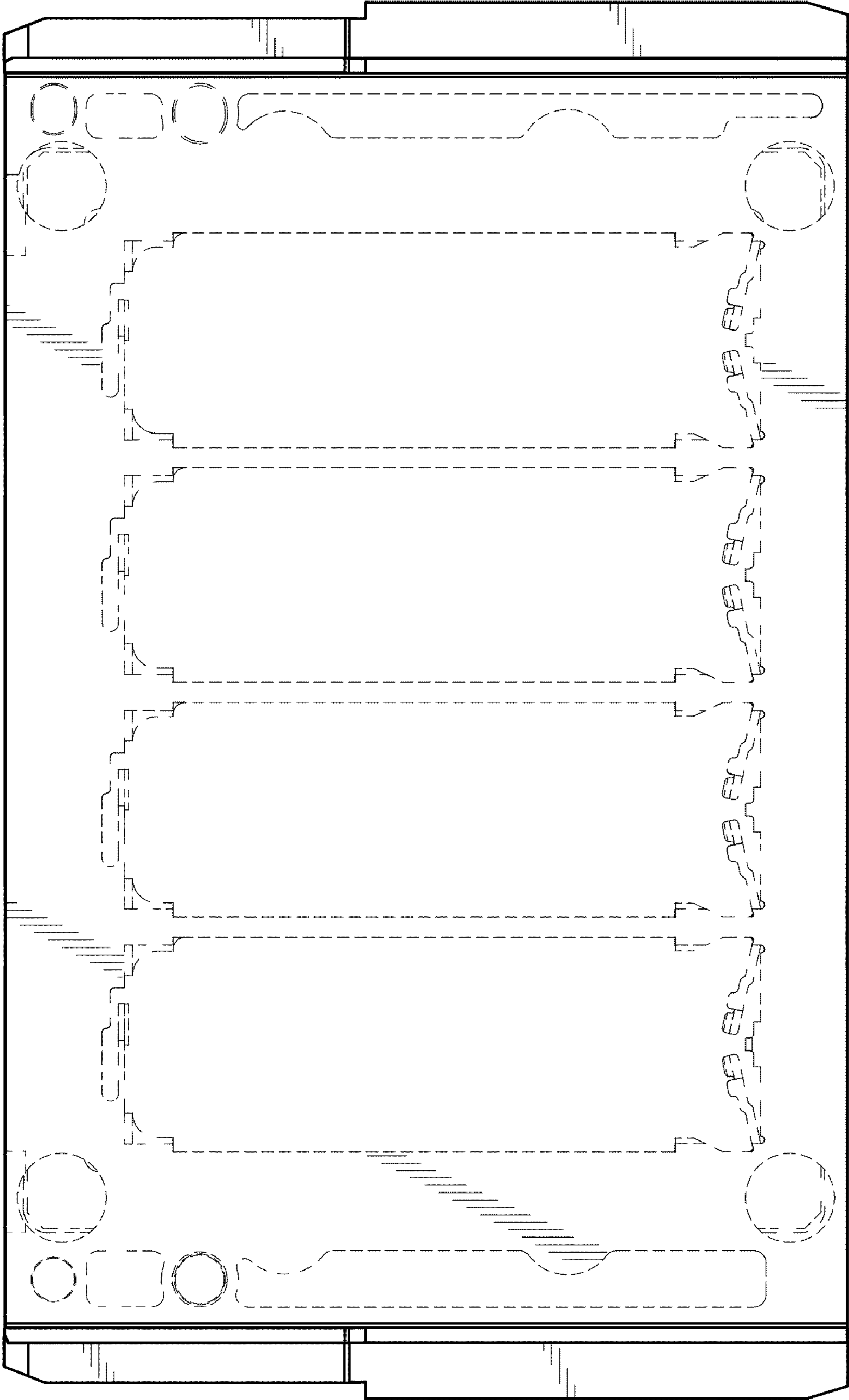


FIG. 4

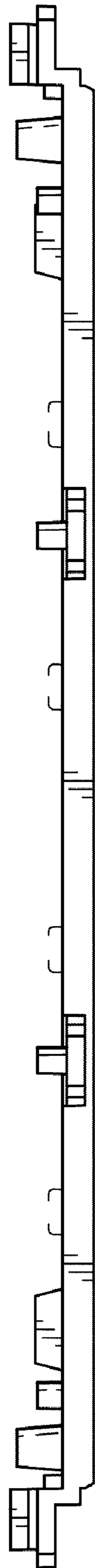


FIG. 5

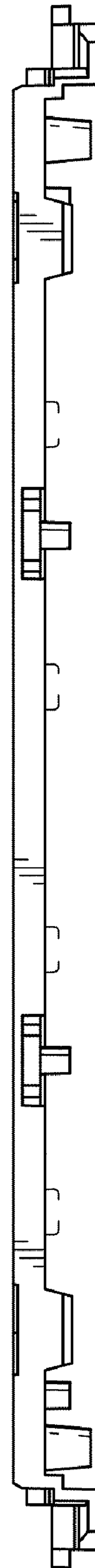


FIG. 6

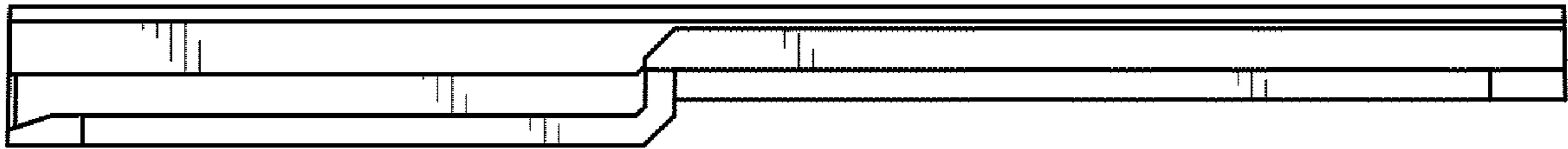


FIG. 7

