



US00D632401S

(12) **United States Design Patent**
Stevens

(10) **Patent No.:** **US D632,401 S**

(45) **Date of Patent:** **** Feb. 8, 2011**

(54) **ANTI-THUMB SUCKING DEVICE**

(76) **Inventor:** **Kenneth K. Stevens**, 3220 S. Pine Tree Rd., Oneida, WI (US) 54155

(**) **Term:** **14 Years**

(21) **Appl. No.:** **29/343,651**

(22) **Filed:** **Sep. 16, 2009**

(51) **LOC (9) Cl.** **24-04**

(52) **U.S. Cl.** **D24/193; D24/190; D29/114**

(58) **Field of Classification Search** D24/105,
D24/190, 193; D29/113–114, 117; 215/11.1–11.6;
128/878–880; D2/623, 860–862; 2/159–163,
2/170

See application file for complete search history.

(56) **References Cited**

U.S. PATENT DOCUMENTS

D25,050 S	1/1896	Chatelain	
1,471,948 A *	10/1923	Cox et al.	602/22
D90,678 S *	9/1933	Parke	D24/193
2,633,126 A	1/1952	Newmark	
4,524,464 A	6/1985	Primiano et al.	
D287,640 S *	1/1987	Primiano	D24/190
4,653,490 A *	3/1987	Eisenberg	128/880
4,658,441 A	4/1987	Smith	
4,894,866 A	1/1990	Walker	
D310,738 S *	9/1990	Brown	D28/44.1
5,010,901 A	4/1991	Pales	

5,497,510 A	3/1996	Knowles	
D373,639 S *	9/1996	McKie	D24/190
5,797,405 A *	8/1998	Brock	128/878
D405,180 S *	2/1999	Reina	D24/190
D416,650 S	11/1999	Stevens	
D447,289 S *	8/2001	Reid	D29/113
6,325,772 B1 *	12/2001	Scheuermann et al.	602/22
D473,653 S *	4/2003	Weaver et al.	D24/190
D558,883 S *	1/2008	Ortiz	D24/190
D584,822 S *	1/2009	Weber	D24/190

* cited by examiner

Primary Examiner—Susan E Krakower

(74) *Attorney, Agent, or Firm*—James E. Larson; Larson + Larson, P.A.

(57) **CLAIM**

I claim the ornamental design for an anti-thumb sucking device, as shown and described.

DESCRIPTION

FIG. 1 is a right side elevation view of the anti-thumb sucking device showing my novel design;

FIG. 2 is left side elevation view thereof;

FIG. 3 is a front side elevation view thereof;

FIG. 4 is a back side elevation view thereof;

FIG. 5 is a top plan view thereof; and,

FIG. 6 is a bottom plan view thereof.

1 Claim, 3 Drawing Sheets

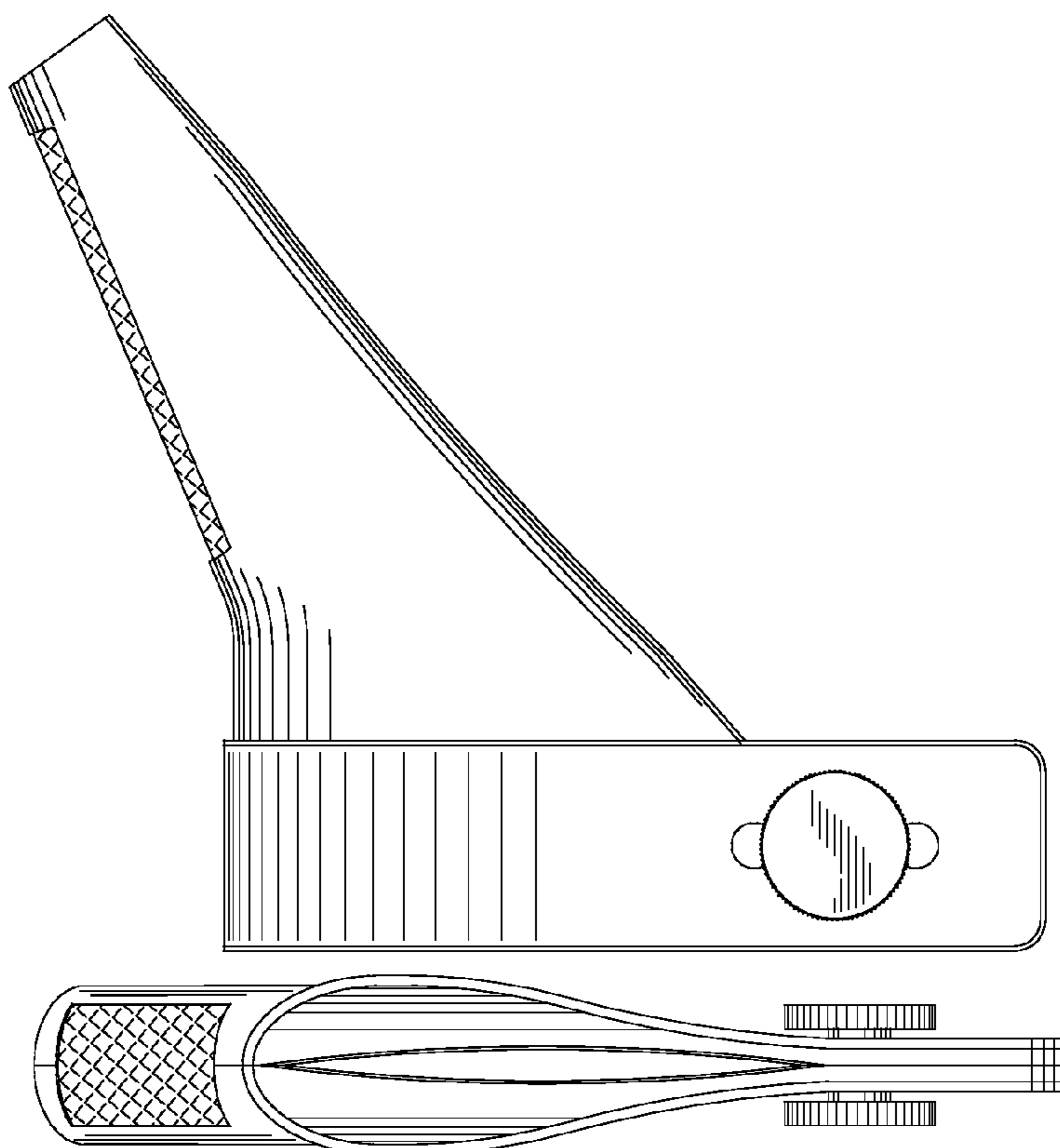


FIG. 1

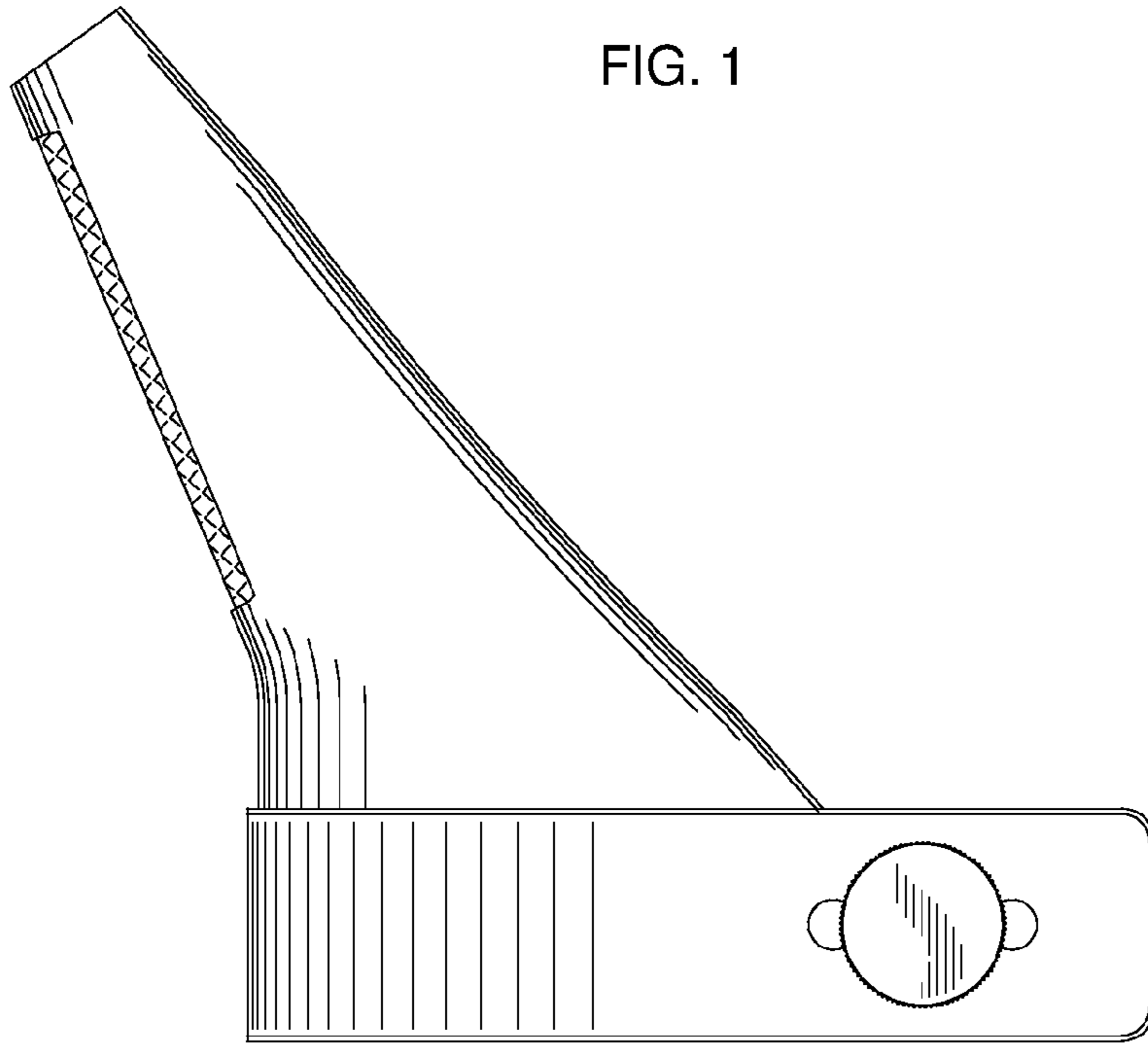


FIG. 2

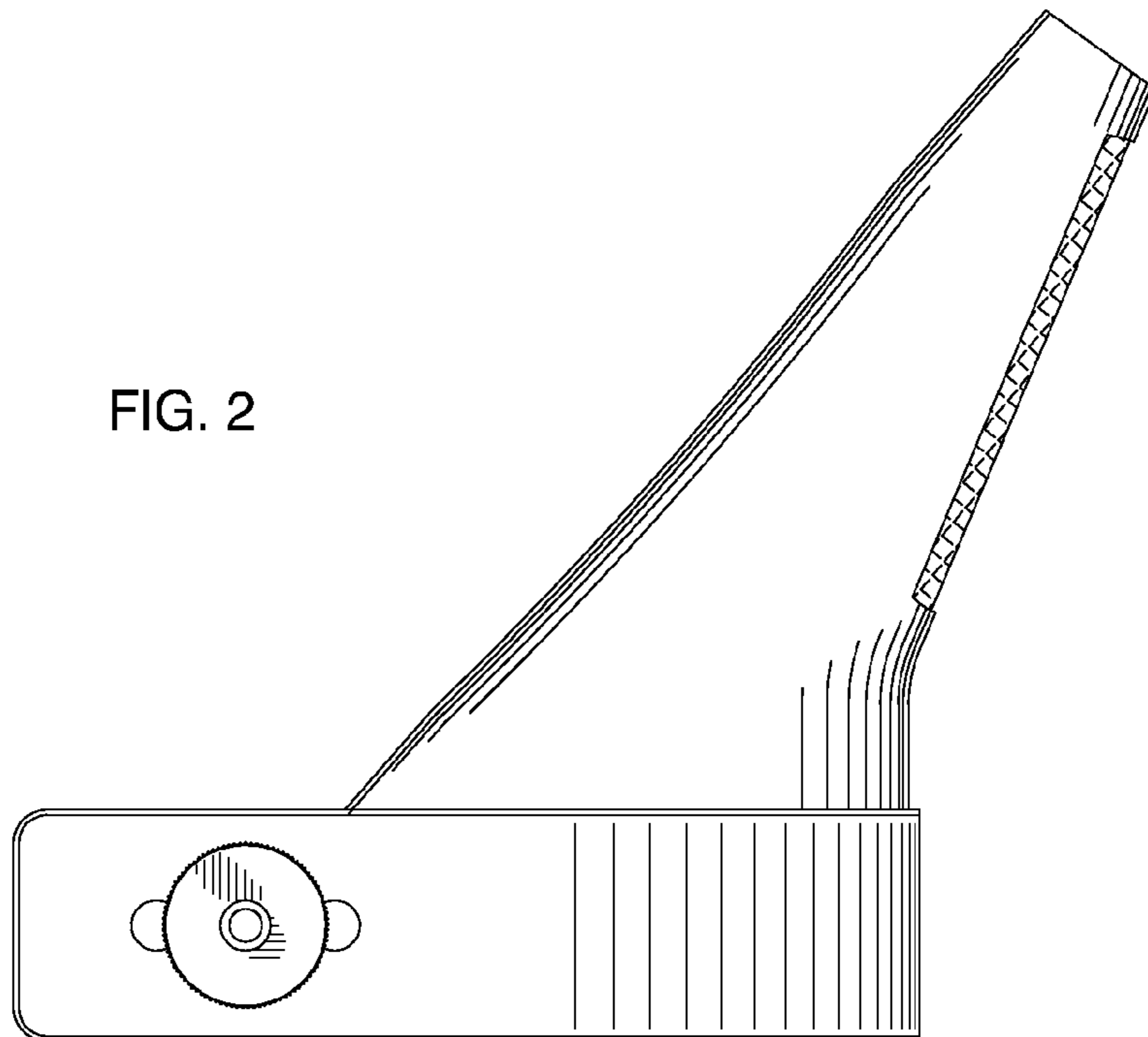


FIG. 3

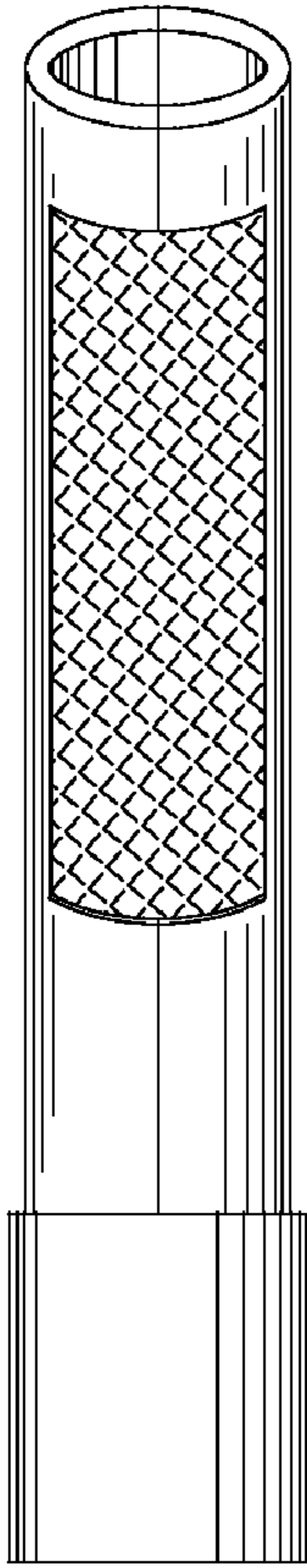


FIG. 4

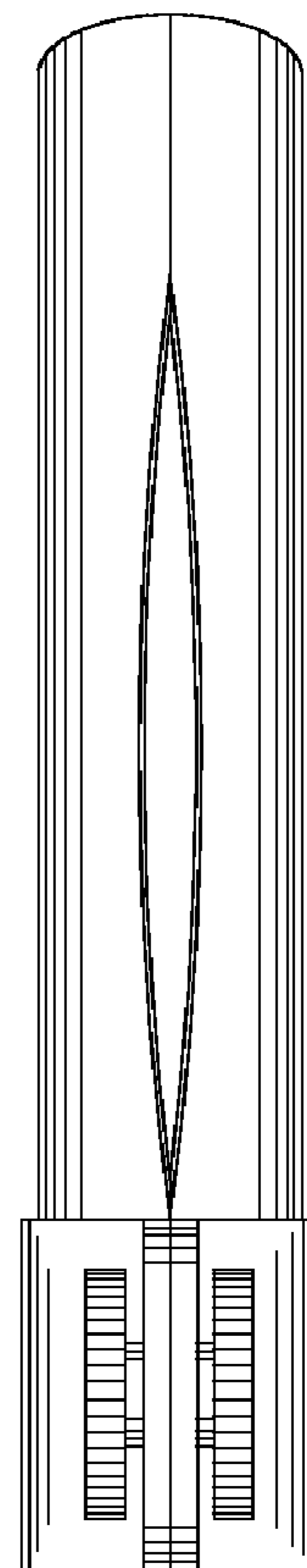


FIG. 5

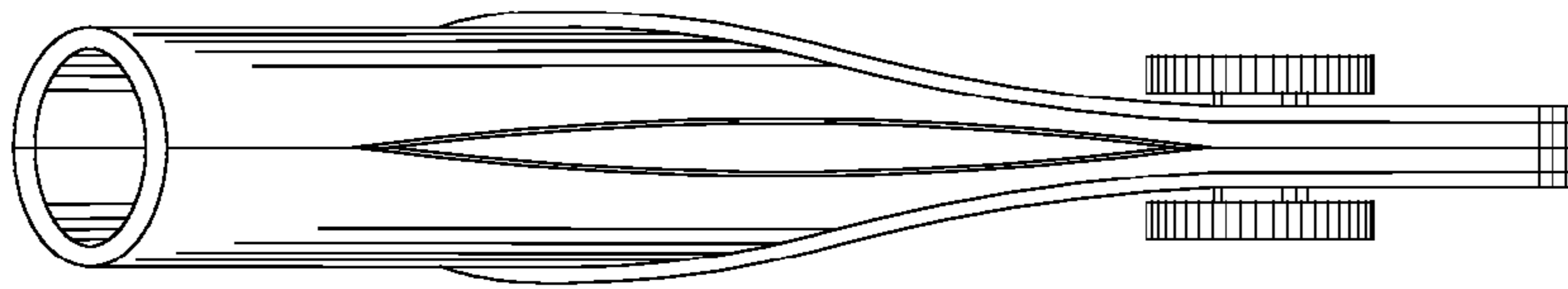


FIG. 6

