



US00D632398S

(12) **United States Design Patent**  
**Bray et al.**

(10) **Patent No.:** **US D632,398 S**

(45) **Date of Patent:** **\*\* Feb. 8, 2011**

(54) **WRAP**

(76) Inventors: **Mary Bray**, 902 Bunker St., Woodstock, IL (US) 60098; **Richard Bray**, 902 Bunker St., Woodstock, IL (US) 60098

(\*\*) Term: **14 Years**

(21) Appl. No.: **29/370,341**

(22) Filed: **Jul. 6, 2010**

(51) **LOC (9) Cl.** ..... **24-04**

(52) **U.S. Cl.** ..... **D24/188**

(58) **Field of Classification Search** ..... D24/188,  
D24/189, 107, 206, 200; 607/107, 108, 109,  
607/112, 96, 1

See application file for complete search history.

(56) **References Cited**

U.S. PATENT DOCUMENTS

3,882,867	A	5/1975	Moran	
4,044,773	A	8/1977	Baldwin	
4,527,566	A	7/1985	Abare	
4,671,267	A	6/1987	Stout	
4,805,620	A	2/1989	Meistrell	
5,027,801	A	7/1991	Grim	
D368,332	S *	3/1996	Chiang	D29/121.1
5,557,801	A *	9/1996	Jakus	2/467
D375,186	S *	11/1996	Kim	D29/101.3
D380,051	S *	6/1997	Davis et al.	D24/206
5,674,270	A *	10/1997	Viltro et al.	607/112
5,728,058	A *	3/1998	Ouellette et al.	602/62
5,728,146	A *	3/1998	Burkett et al.	607/109
5,735,889	A *	4/1998	Burkett et al.	607/96
5,741,318	A *	4/1998	Ouellette et al.	607/108
D433,145	S	10/2000	Davis et al.	
D467,006	S *	12/2002	Knight et al.	D24/206
D472,321	S *	3/2003	Davis et al.	D24/206
D478,995	S *	8/2003	Cipra et al.	D24/206
D478,996	S *	8/2003	Pace et al.	D24/206
D484,936	S	1/2004	Davis et al.	
D484,986	S *	1/2004	Cipra et al.	D24/206
6,893,453	B2 *	5/2005	Agarwal et al.	607/108
D550,847	S *	9/2007	Kixmiller	D24/190
D571,015	S *	6/2008	Freeland	D24/189

D571,922 S \* 6/2008 Freeland ..... D24/189

D572,367 S \* 7/2008 Freeland ..... D24/189

D572,825 S \* 7/2008 Freeland ..... D24/189

(Continued)

*Primary Examiner*—T. Chase Nelson

*Assistant Examiner*—Michelle E Wilson

(74) *Attorney, Agent, or Firm*—Paul R. Martin

(57) **CLAIM**

The ornamental design for a wrap, as shown and described.

**DESCRIPTION**

FIG. 1 is a perspective view of my new design for wrap showing it in closed configuration.

FIG. 2 is a perspective view of my new design for a wrap showing the right end in open configuration, and showing an internal insert extending from the open end.

FIG. 3 is a top plan view of the wrap shown in FIG. 1.

FIG. 4 is a bottom plan view of the wrap shown in FIG. 1.

FIG. 5 is an elevational view from the front of the wrap shown in FIG. 1.

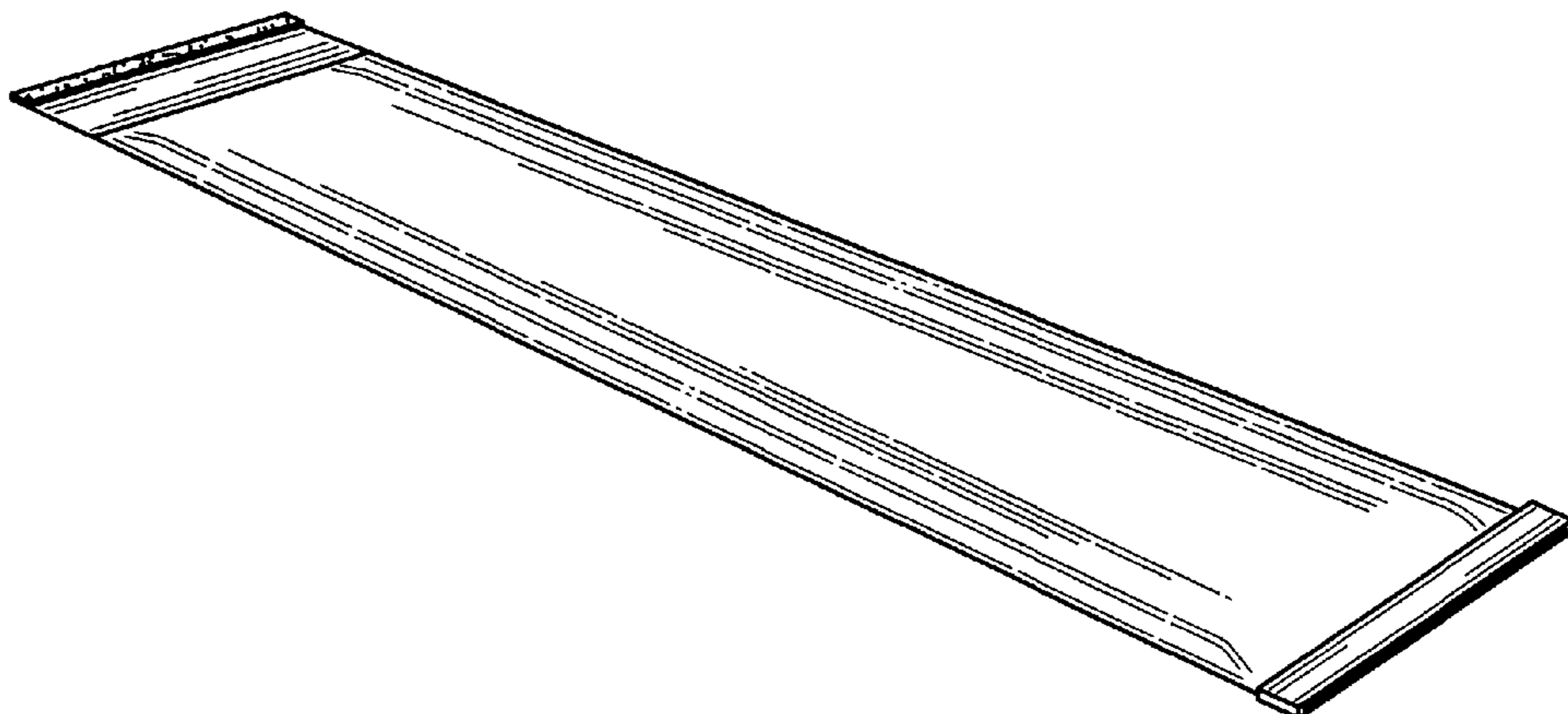
FIG. 6 is an elevational view from the rear of the wrap shown in FIG. 1.

FIG. 7 is an elevational end view from the left of the wrap shown in FIG. 1; and,

FIG. 8 is an elevational end view from the right of the wrap shown in FIG. 1.

The broken line showing of the insert is included for the purpose of illustrating environmental structure and forms no part of the claimed design.

**1 Claim, 3 Drawing Sheets**



# US D632,398 S

Page 2

---

## U.S. PATENT DOCUMENTS

D572,826 S *	7/2008	Freeland .....	D24/189	D593,682 S *	6/2009	Freeland .....	D24/189
7,399,484 B2 *	7/2008	Ellefson et al. ....	424/448	D598,556 S *	8/2009	Chen .....	D24/190

\* cited by examiner

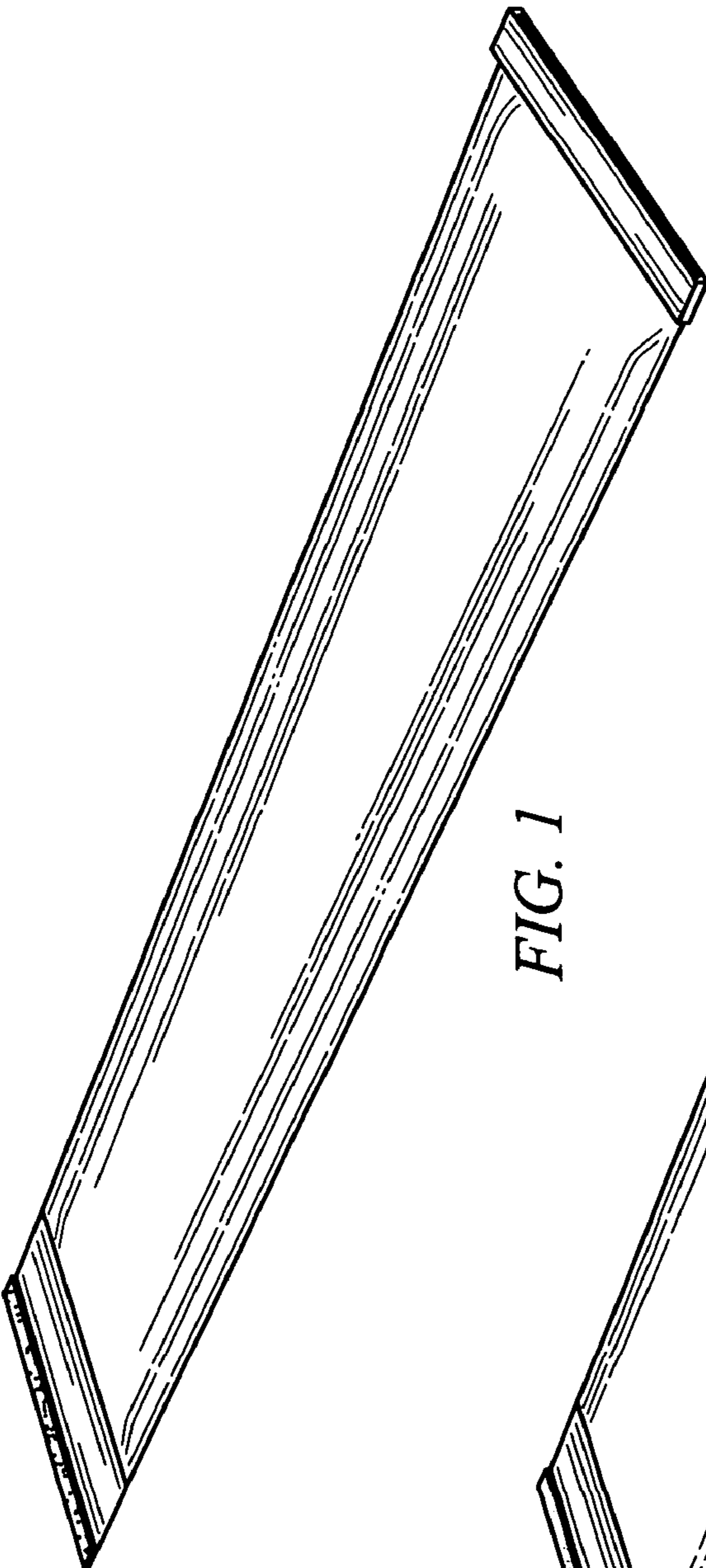


FIG. 1

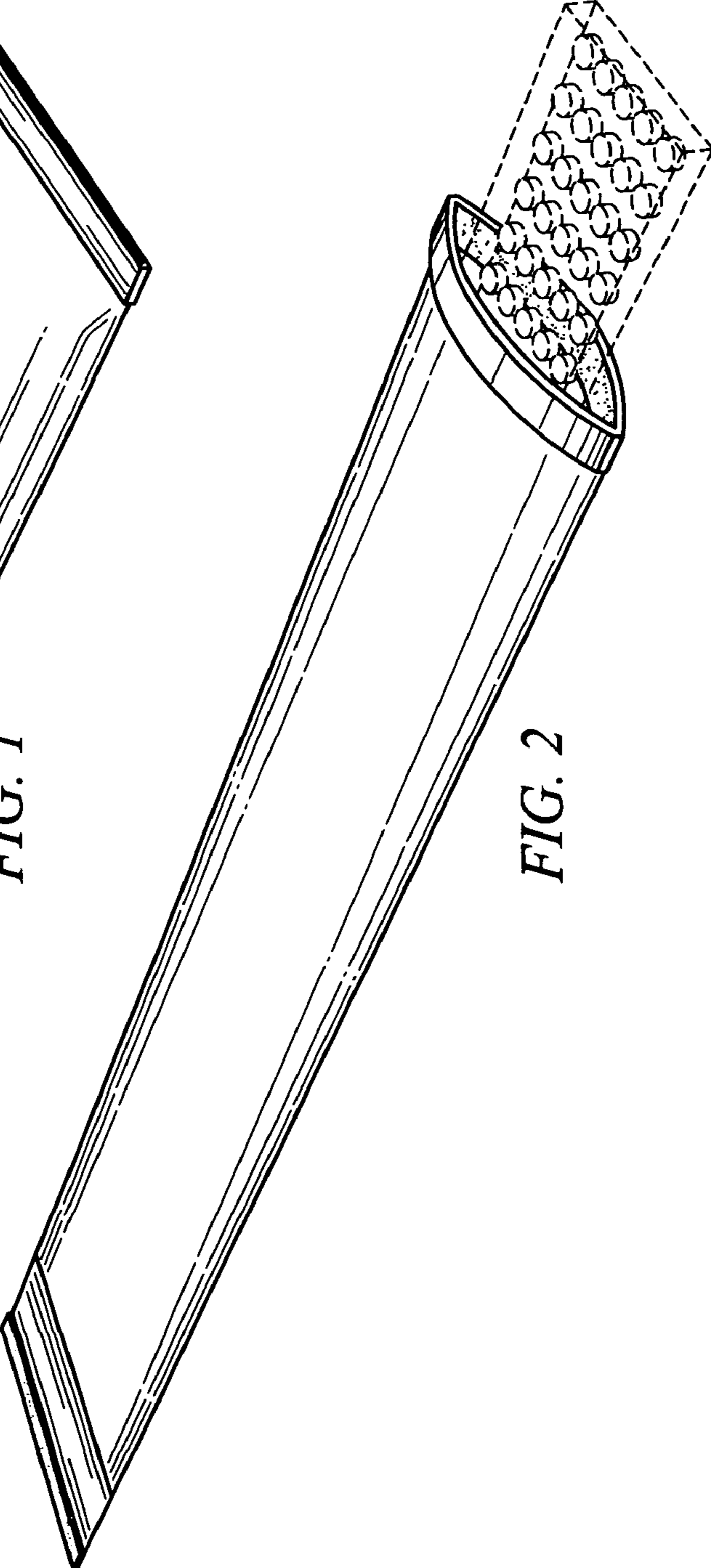


FIG. 2

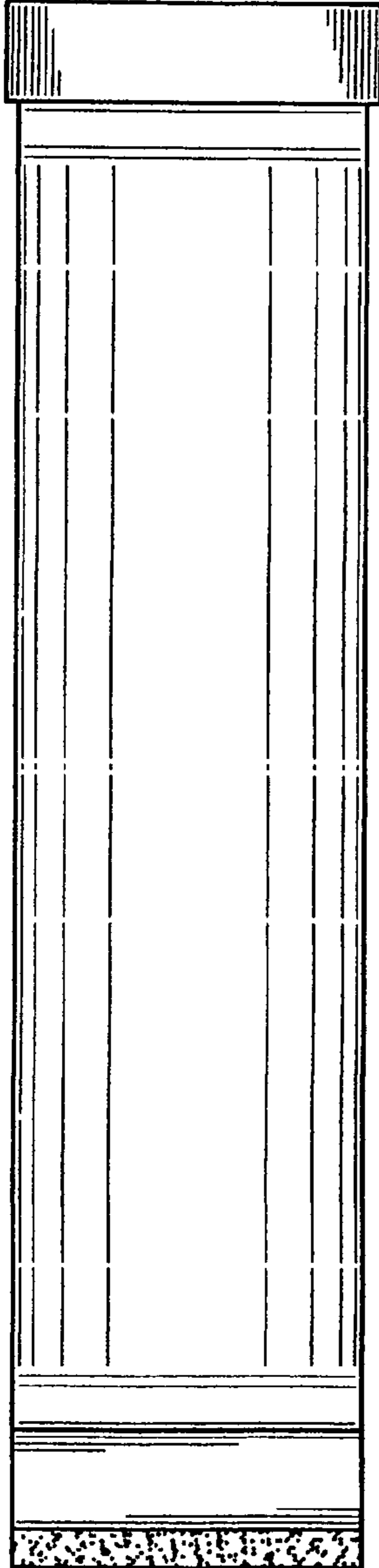


FIG. 3

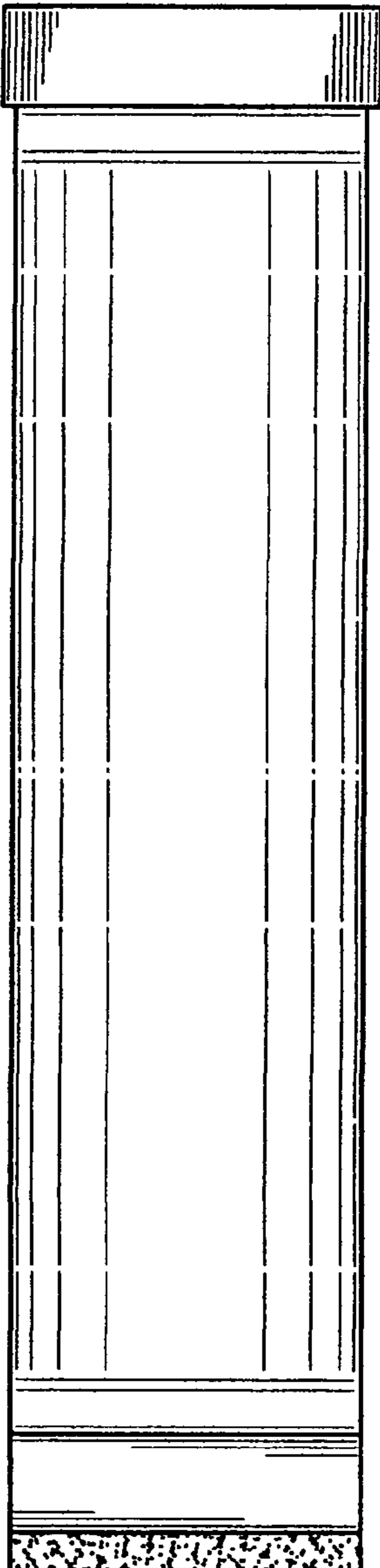


FIG. 4



FIG. 5



FIG. 6



FIG. 8



FIG. 7