



US00D632396S

(12) **United States Design Patent**
Kasabach et al.

(10) **Patent No.:** **US D632,396 S**

(45) **Date of Patent:** **** Feb. 8, 2011**

(54) **DISPLAY DEVICE WITH ALTERNATE ATTACHMENT MEANS ASSEMBLY**

(75) Inventors: **Christopher D. Kasabach**, Pittsburgh, PA (US); **Vanessa Sica Kasabach**, Pittsburgh, PA (US); **Jeffrey Francis Williams**, Edinboro, PA (US); **John M. Stivoric**, Pittsburgh, PA (US); **Christopher D Pacione**, Pittsburgh, PA (US)

(73) Assignee: **BodyMedia, Inc.**, Pittsburgh, PA (US)

(**) Term: **14 Years**

(21) Appl. No.: **29/256,362**

(22) Filed: **Mar. 20, 2006**

(51) **LOC (9) Cl.** **24-02**

(52) **U.S. Cl.** **D24/186**

(58) **Field of Classification Search** D24/107, D24/138, 144, 158, 164, 165, 167, 186-187, D24/231; D10/31-38; 600/407, 461, 459, 600/447, 439, 446, 500, 503
See application file for complete search history.

(56) **References Cited**

U.S. PATENT DOCUMENTS

| | | | | |
|-----------|------|---------|---------------|---------|
| 5,795,300 | A * | 8/1998 | Bryars | 600/500 |
| D406,346 | S * | 3/1999 | Hirakawa | D24/165 |
| D426,637 | S * | 6/2000 | Ochi et al. | D24/165 |
| 6,080,111 | A * | 6/2000 | Pao-Lang | 600/503 |
| D440,163 | S * | 4/2001 | Callis | D10/31 |
| D450,849 | S * | 11/2001 | Rantala | D24/165 |
| 6,314,058 | B1 * | 11/2001 | Lee | 600/500 |
| D452,005 | S * | 12/2001 | Rantala | D24/165 |
| D475,136 | S * | 5/2003 | Taniguchi | D24/165 |
| D507,498 | S * | 7/2005 | Hung | D24/167 |
| D508,738 | S * | 8/2005 | Lodato et al. | D24/186 |
| 6,928,317 | B2 * | 8/2005 | Chen | 600/509 |

| | | | | |
|-----------|------|---------|-----------------|---------|
| 6,982,930 | B1 * | 1/2006 | Hung | 600/503 |
| D540,695 | S * | 4/2007 | Leung | D10/31 |
| D565,735 | S * | 4/2008 | Washbon | D24/187 |
| D578,222 | S * | 10/2008 | Sakurai et al. | D24/187 |
| D585,557 | S * | 1/2009 | Sakurai et al. | D24/187 |
| D597,676 | S * | 8/2009 | Copeland et al. | D24/187 |
| D603,521 | S * | 11/2009 | Lindberg et al. | D24/187 |

* cited by examiner

Primary Examiner—T. Chase Nelson

Assistant Examiner—Mark Cavanna

(74) *Attorney, Agent, or Firm*—GTC Law Group LLP & Affiliates

(57) **CLAIM**

The ornamental design for a display device with alternate attachment means assembly, as shown and described.

DESCRIPTION

FIG. 1 is a top view of a display module showing our new design;

FIG. 2 is a side elevation view thereof;

FIG. 3 is a top perspective view thereof;

FIG. 4 is a top perspective view of the display module with its associated clip attachment means;

FIG. 5 is a top perspective exploded view thereof;

FIG. 6 is a top perspective view of the display module with its associated flexible jacket attachment means;

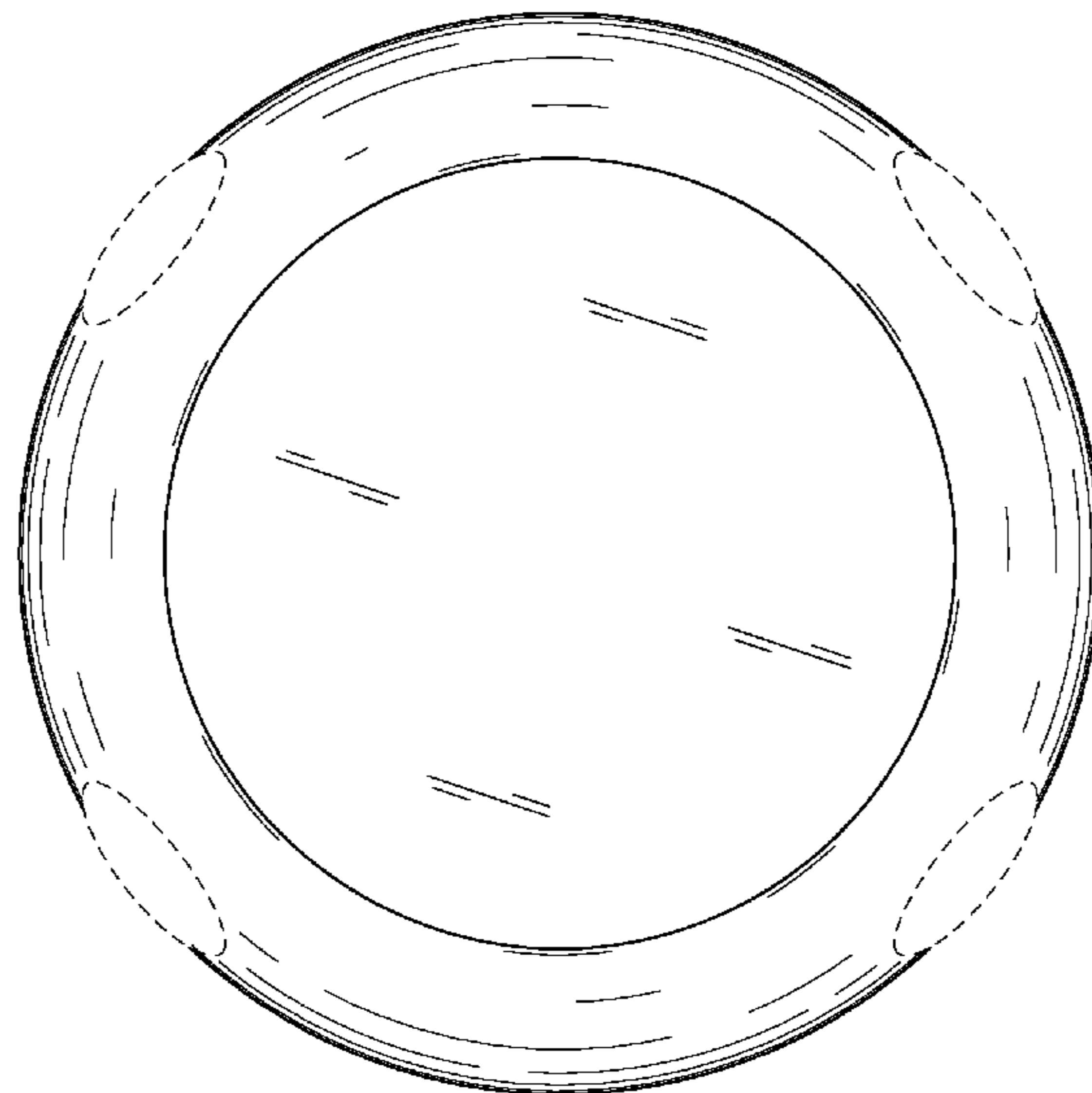
FIG. 7 is a top perspective exploded view thereof;

FIG. 8 is a top perspective view of the display module with its associated wrist attachment means; and,

FIG. 9 is an top perspective exploded view thereof.

The broken lines are included for the purpose of illustrating a portion of the display device with alternate attachment means assembly that forms no part of the claimed design.

1 Claim, 9 Drawing Sheets



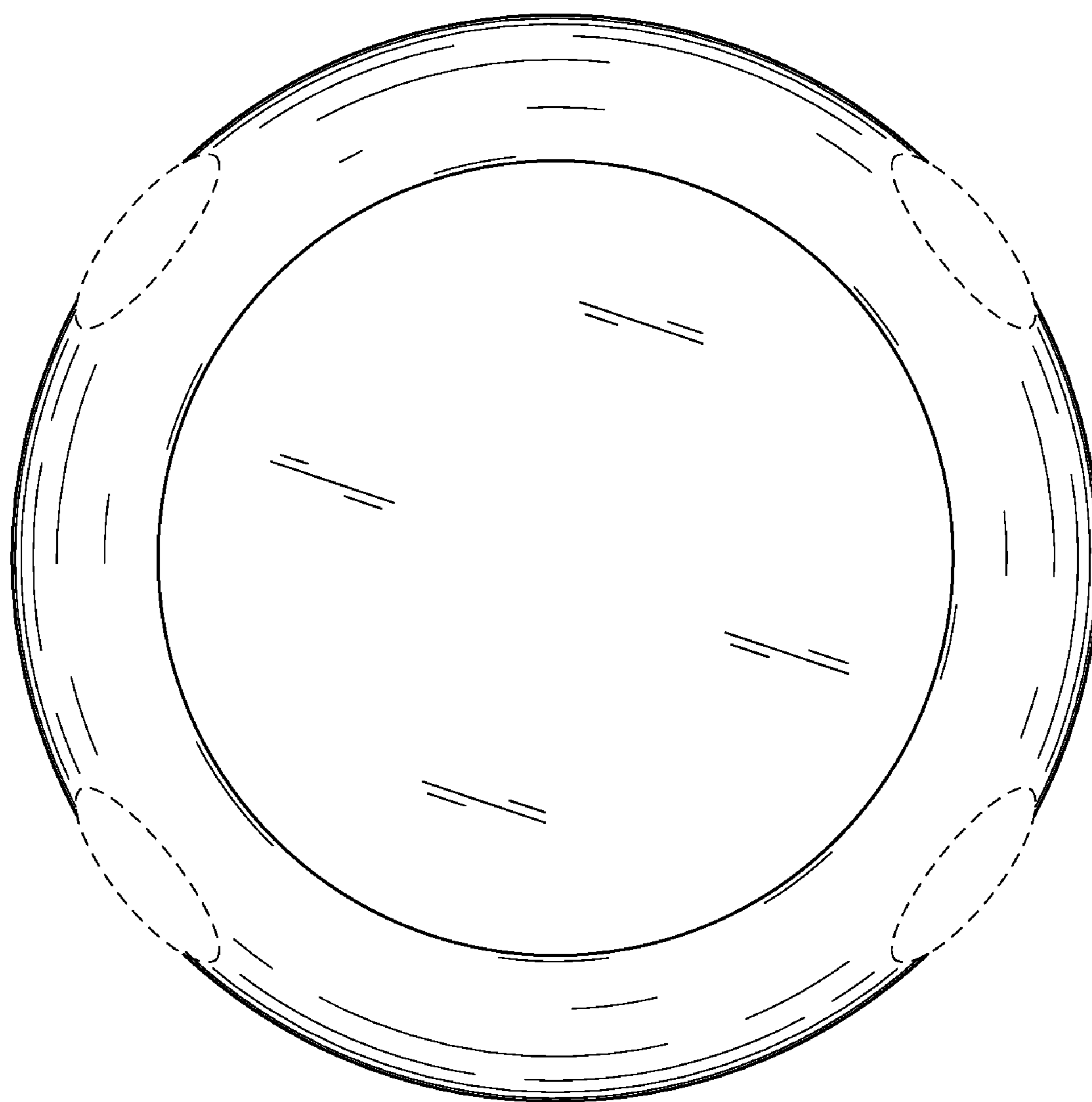


FIG. 1

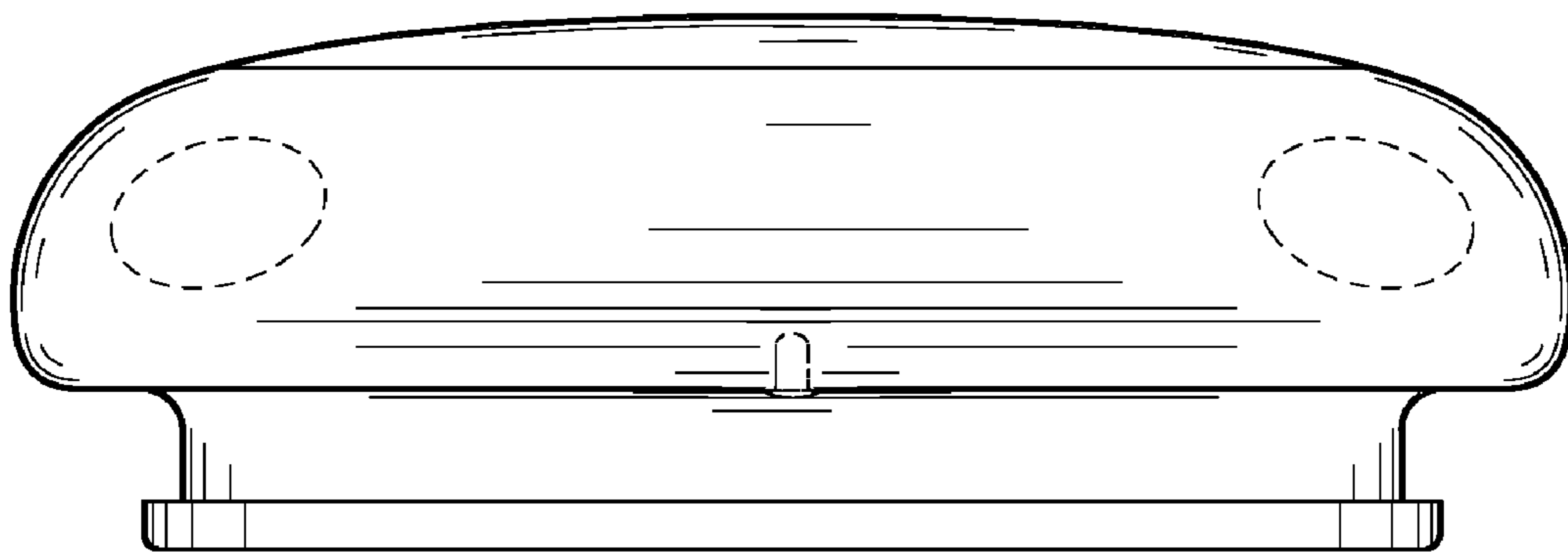


FIG. 2

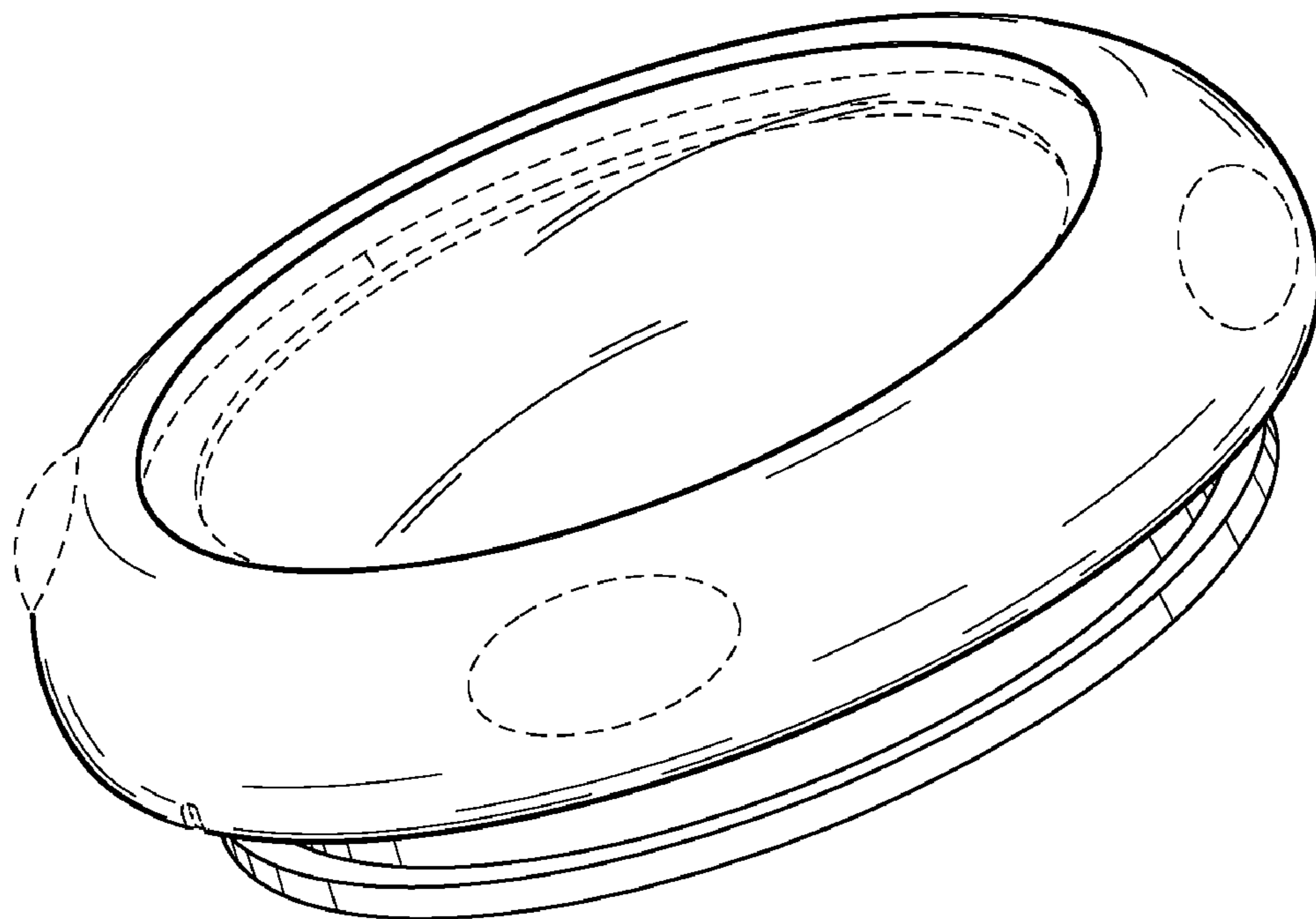


FIG. 3

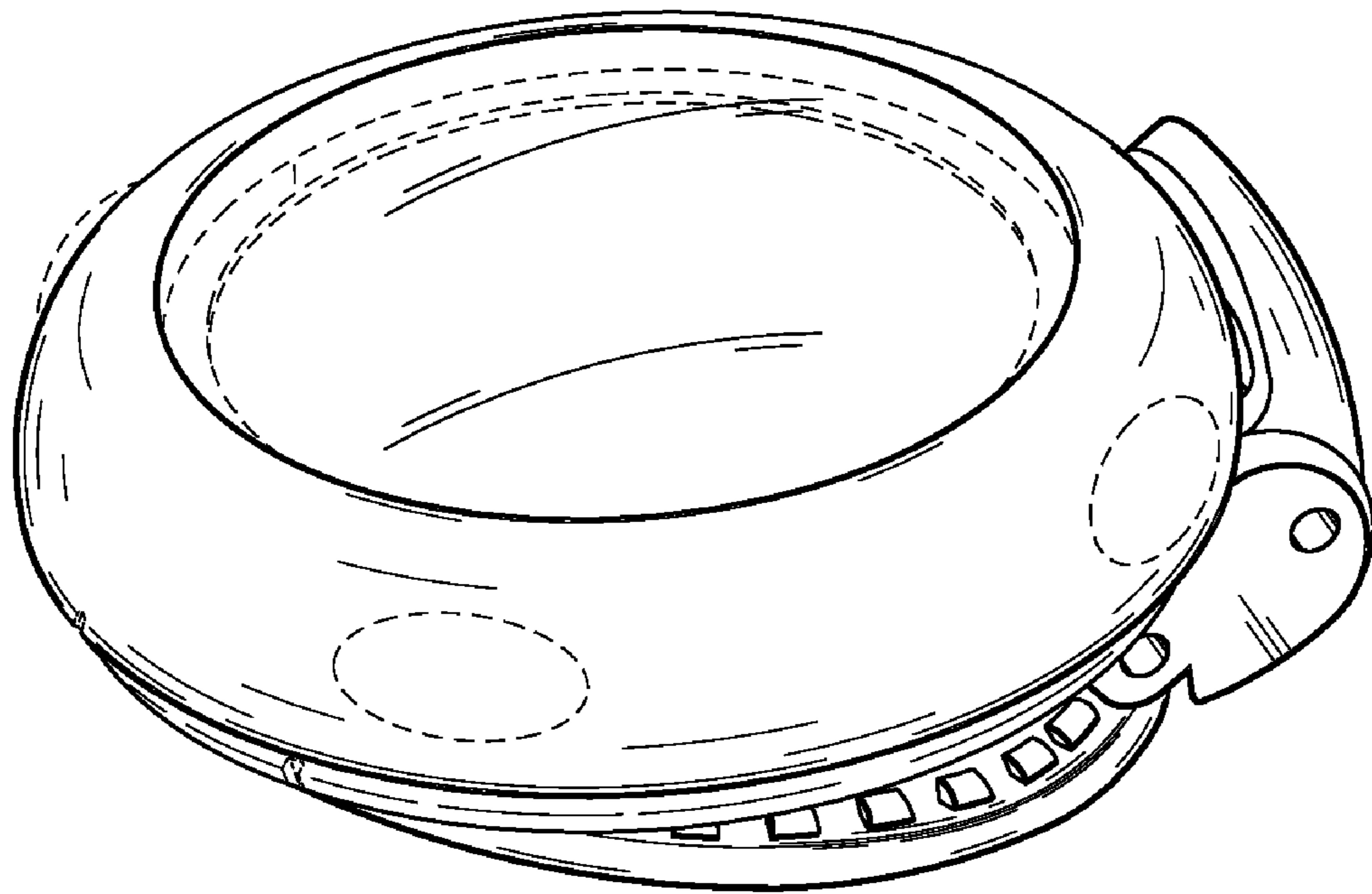


FIG. 4

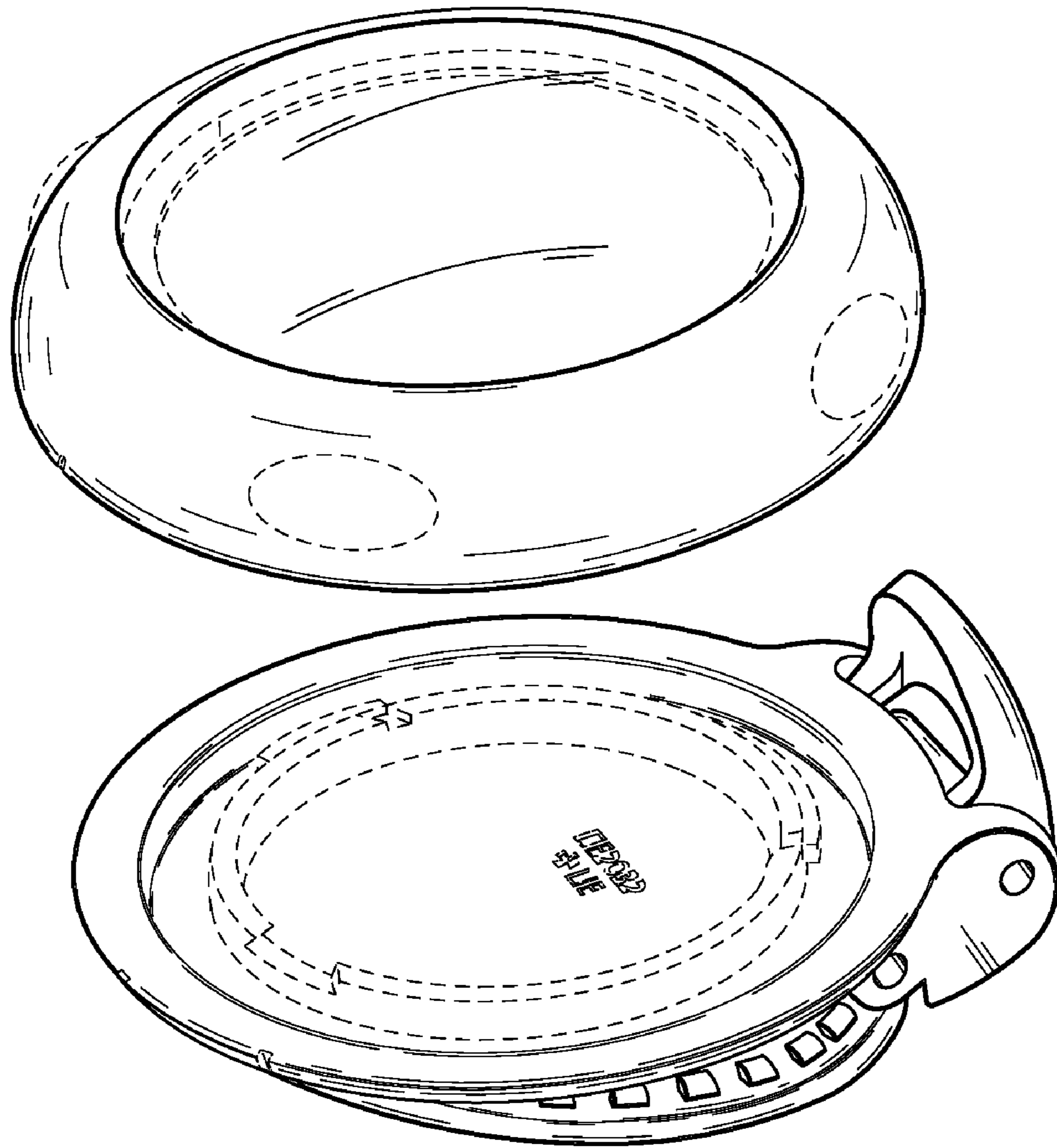


FIG. 5

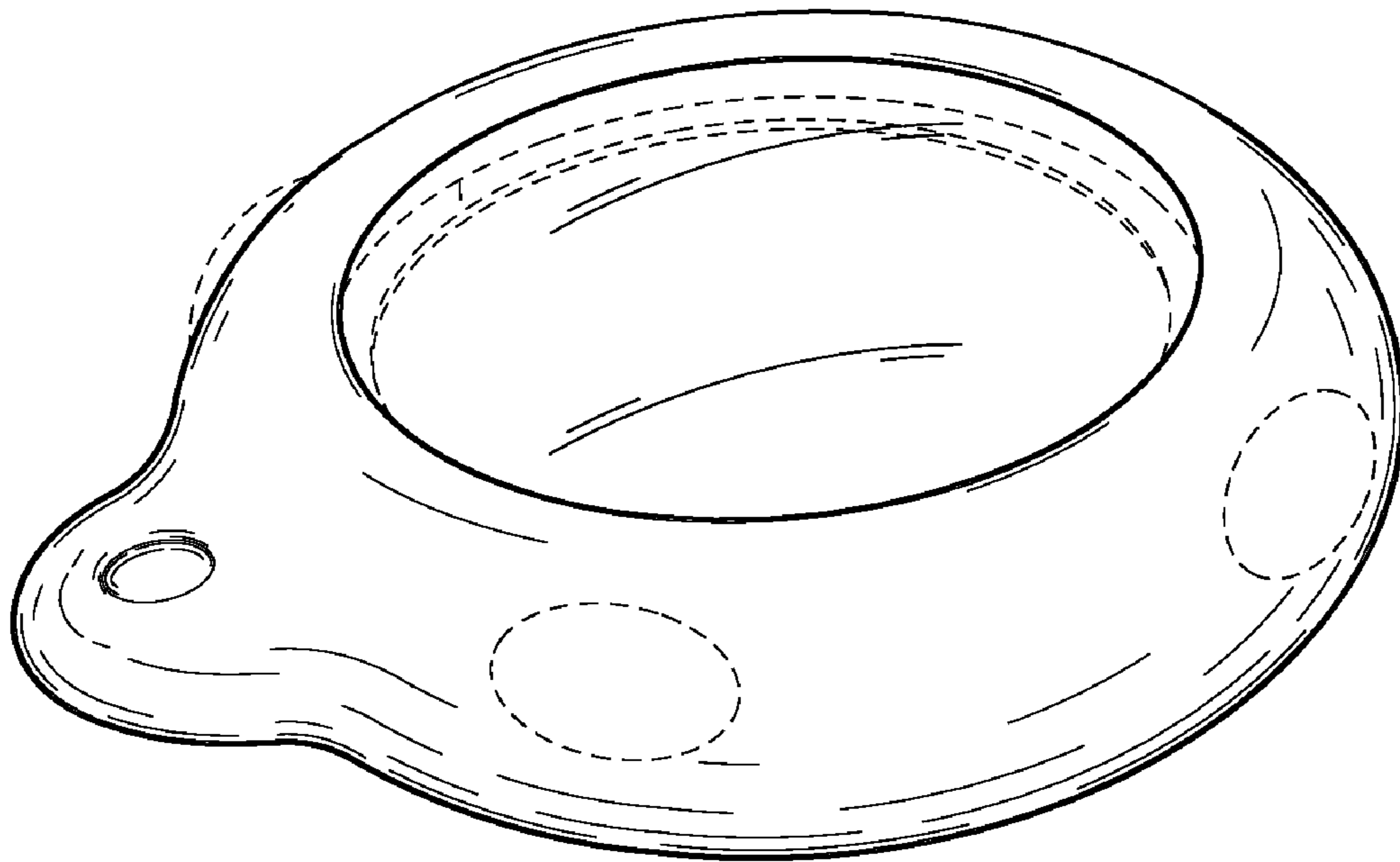


FIG. 6

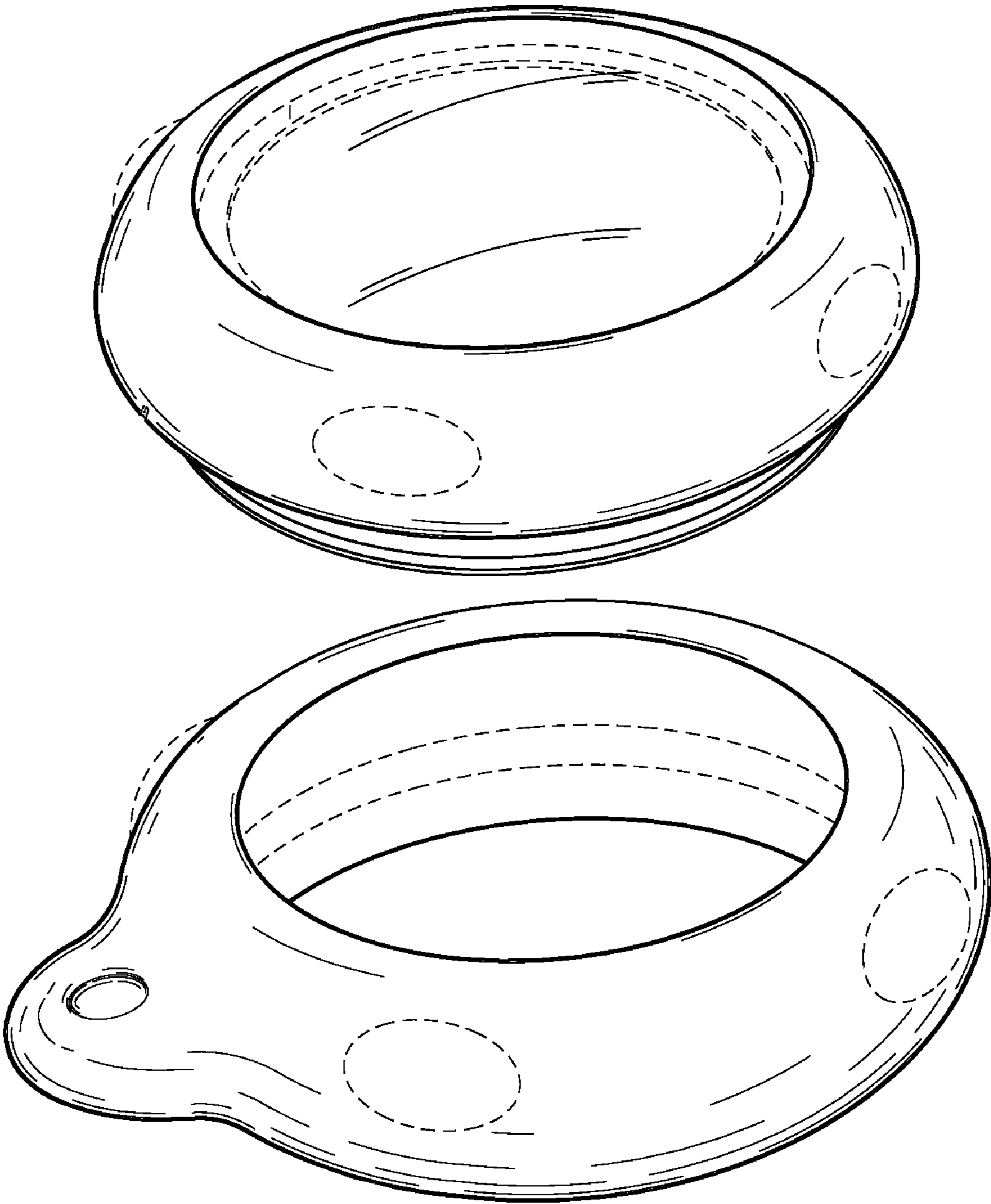


FIG. 7

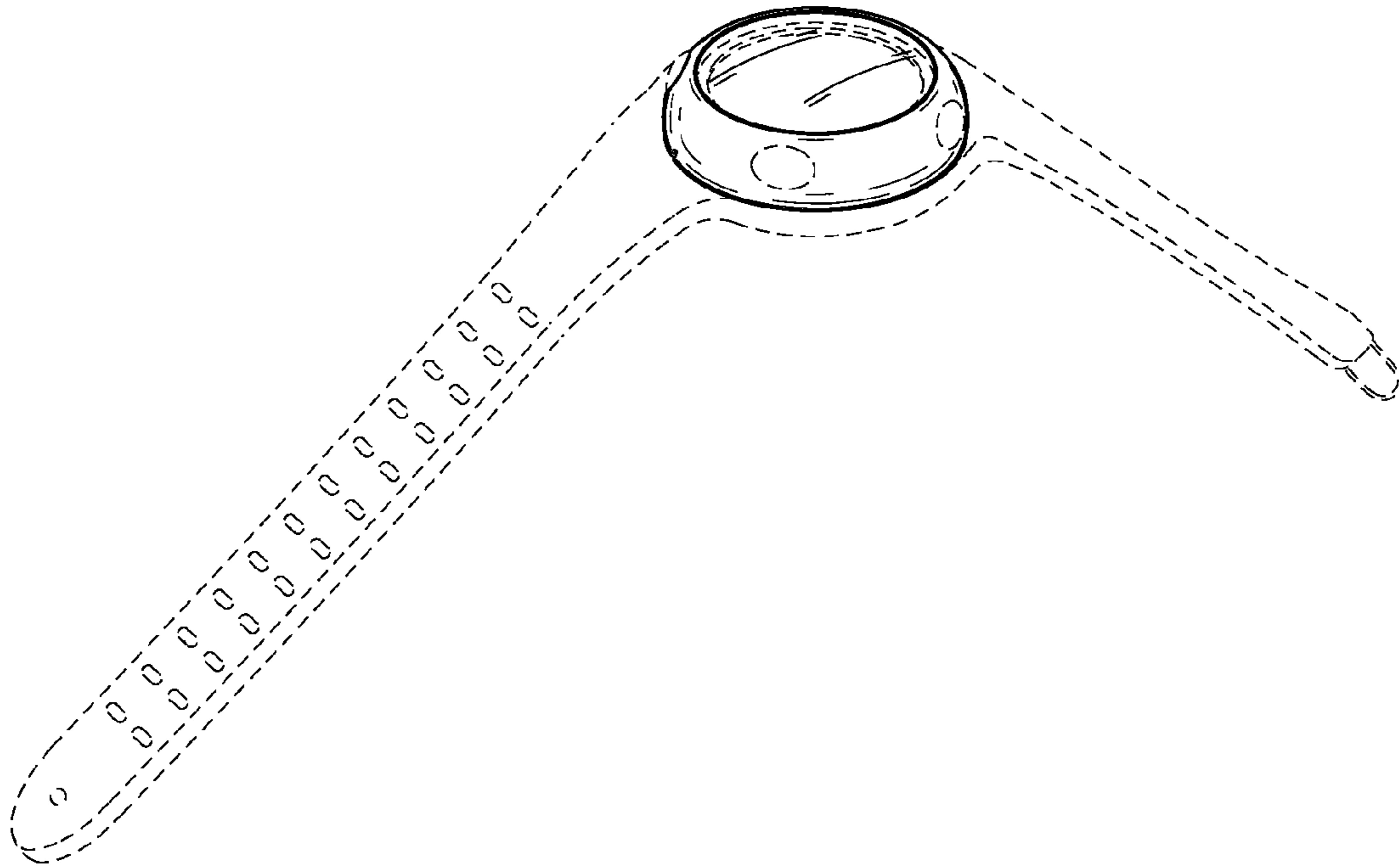


FIG. 8

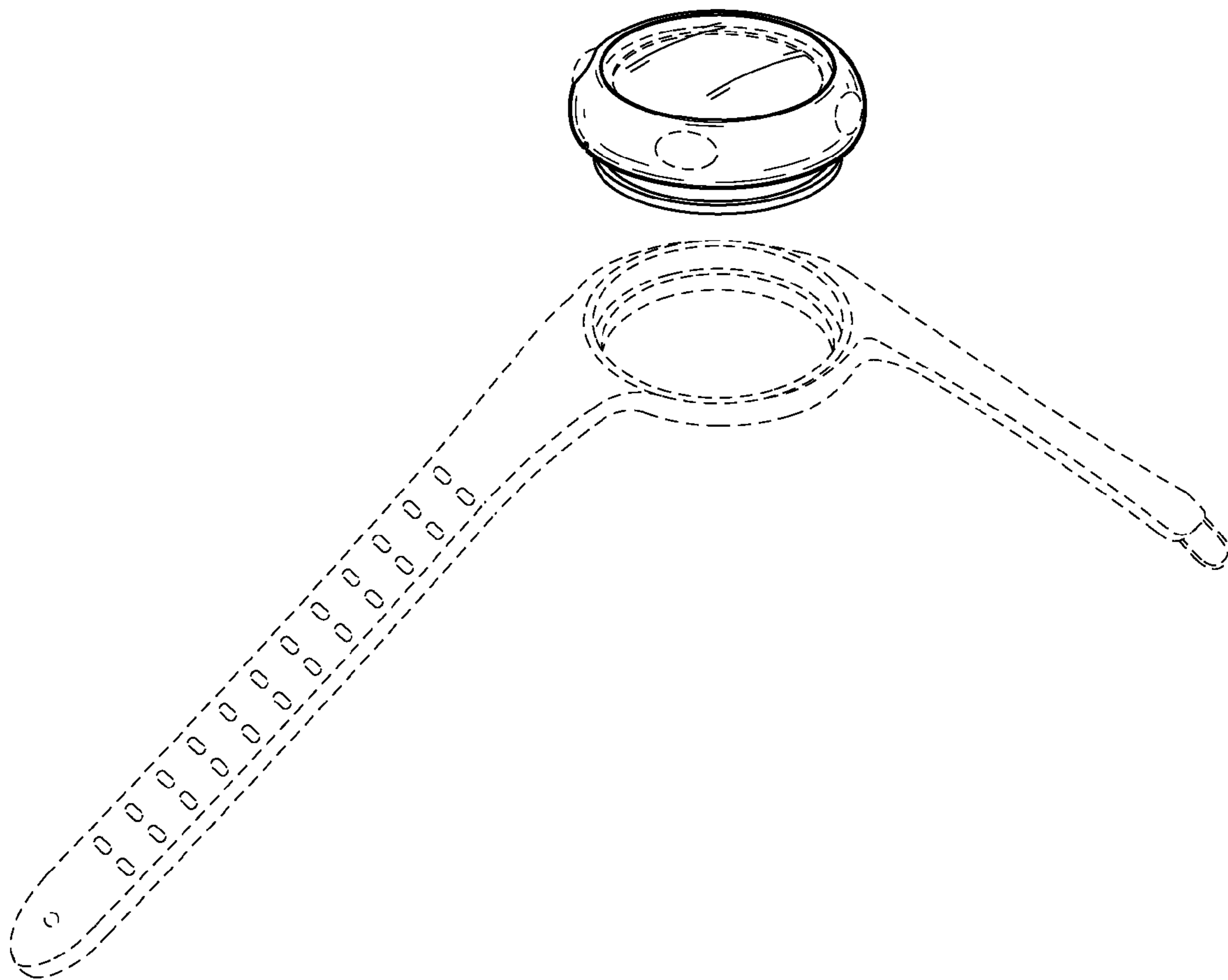


FIG. 9