

US00D632392S

(12) **United States Design Patent**
Jacobs et al.

(10) **Patent No.:** **US D632,392 S**
(45) **Date of Patent:** **** Feb. 8, 2011**

(54) **PROSTHETIC FOOT**

(75) Inventors: **Joseph A. Jacobs**, Millcreek, UT (US);
Edwin K. Iversen, Salt Lake City, UT
(US); **Harold H. Sears**, Salt Lake City,
UT (US)

(73) Assignee: **Motion Control, Inc.**, Salt Lake City,
UT (US)

(**) Term: **14 Years**

(21) Appl. No.: **29/355,786**

(22) Filed: **Feb. 12, 2010**

(51) **LOC (9) Cl.** **24-03**

(52) **U.S. Cl.** **D24/155**

(58) **Field of Classification Search** D24/155-157;
623/29, 38, 53, 55, 56

See application file for complete search history.

(56) **References Cited**

U.S. PATENT DOCUMENTS

5,387,246	A *	2/1995	Phillips	623/56
6,719,807	B2 *	4/2004	Harris	623/55
6,797,009	B1 *	9/2004	Laghi	623/53
6,969,408	B2 *	11/2005	Lecomte et al.	623/55
7,060,104	B2 *	6/2006	Phillips	623/55

7,371,262	B2 *	5/2008	Lecomte et al.	623/55
D579,115	S *	10/2008	Rubie et al.	D24/155
7,531,006	B2 *	5/2009	Clausen et al.	623/53
7,611,543	B2 *	11/2009	Townsend et al.	623/38
7,618,464	B2 *	11/2009	Christensen	623/55
7,815,689	B2 *	10/2010	Bedard et al.	623/53

* cited by examiner

Primary Examiner—Charles A Rademaker

(74) *Attorney, Agent, or Firm*—Thorpe North & Western LLP

(57) **CLAIM**

The ornamental design for a prosthetic foot, as shown and described.

DESCRIPTION

FIG. 1 is a top plan view of a prosthetic foot showing our new design;

FIG. 2 is a side elevation thereof, the side opposite being a mirror image;

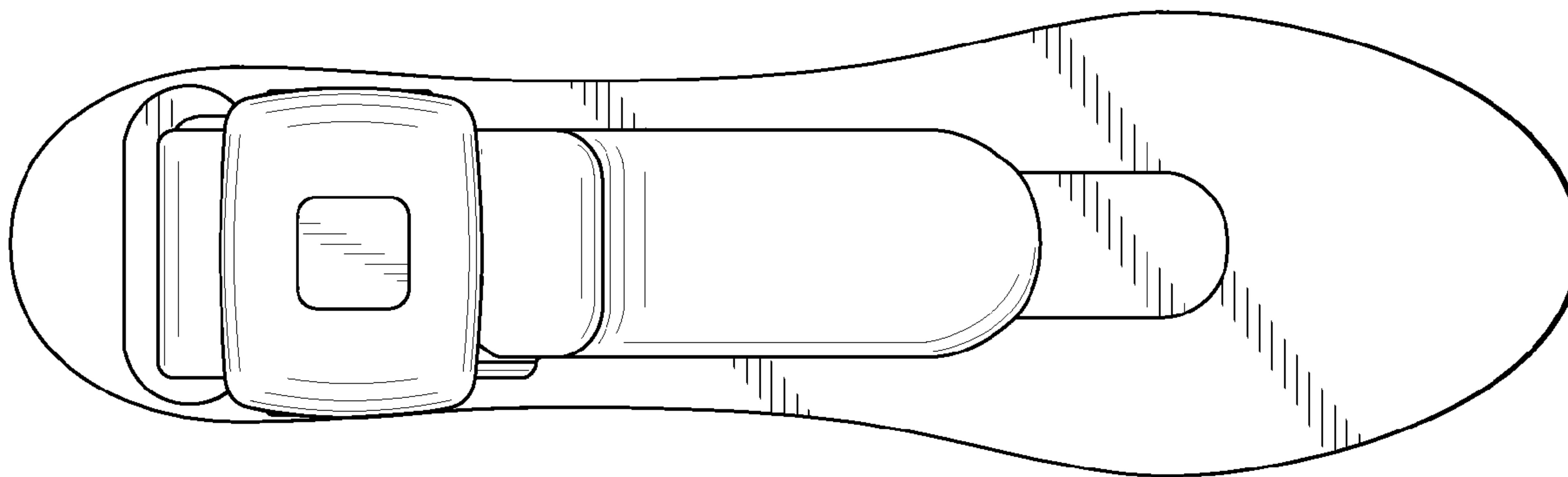
FIG. 3 is a bottom plan view thereof;

FIG. 4 is a right end elevation thereof; and,

FIG. 5 is a left end elevation thereof.

The broken lines shown in FIGS. 1-5 are for illustrative purposes only and form no part of the claimed design.

1 Claim, 2 Drawing Sheets



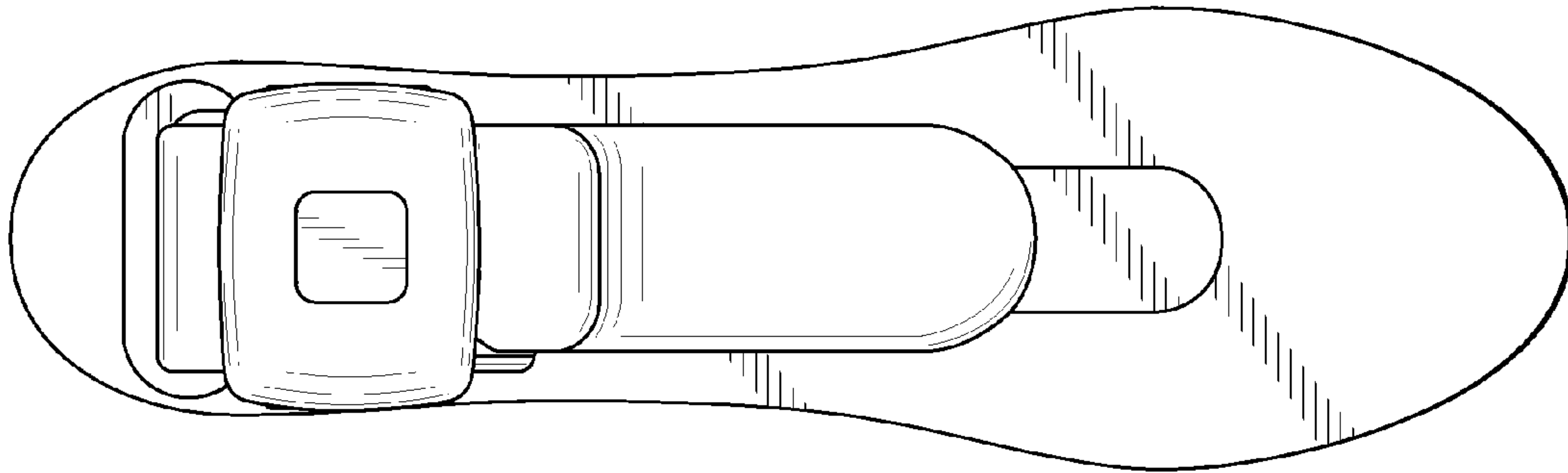


FIG. 1

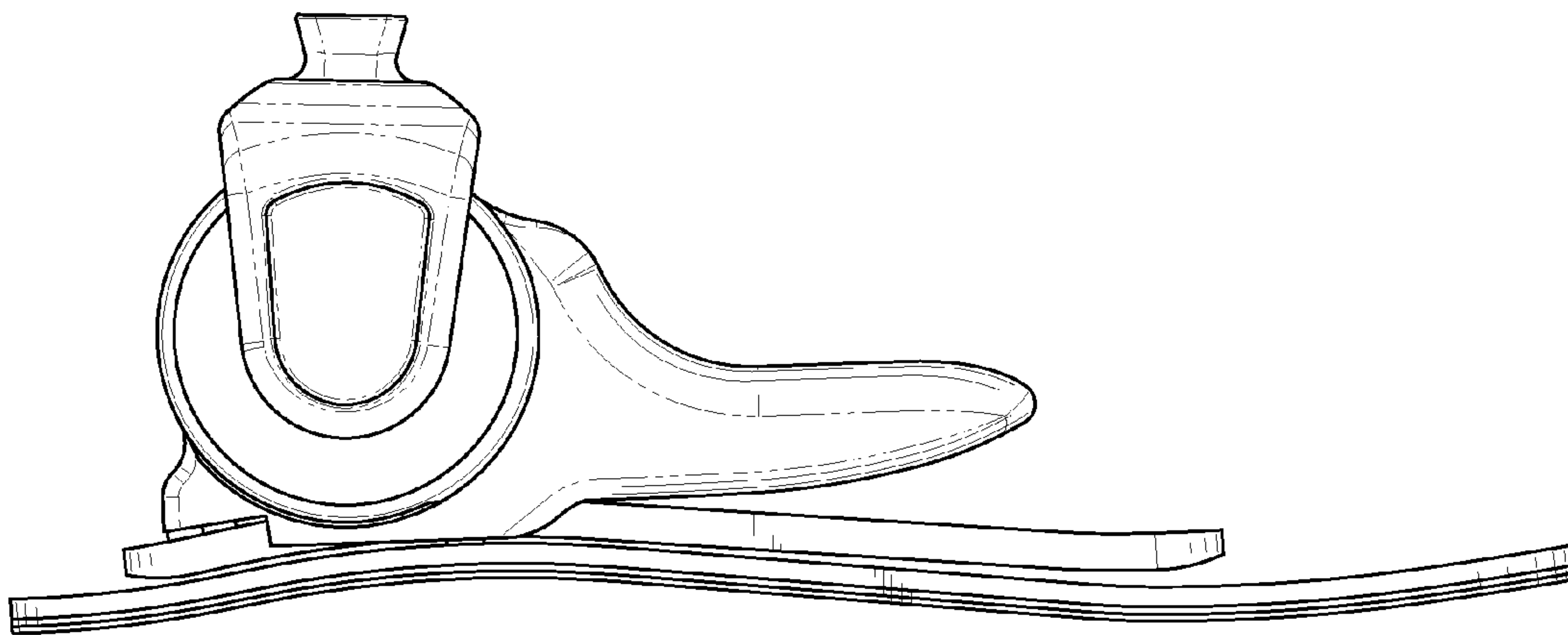


FIG. 2

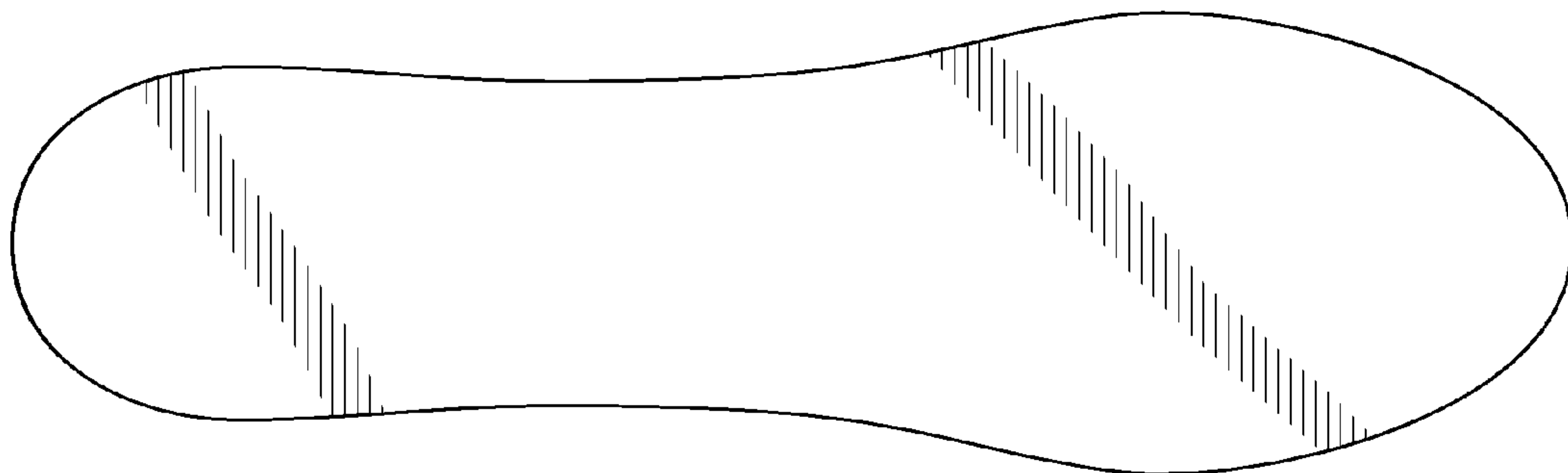


FIG. 3

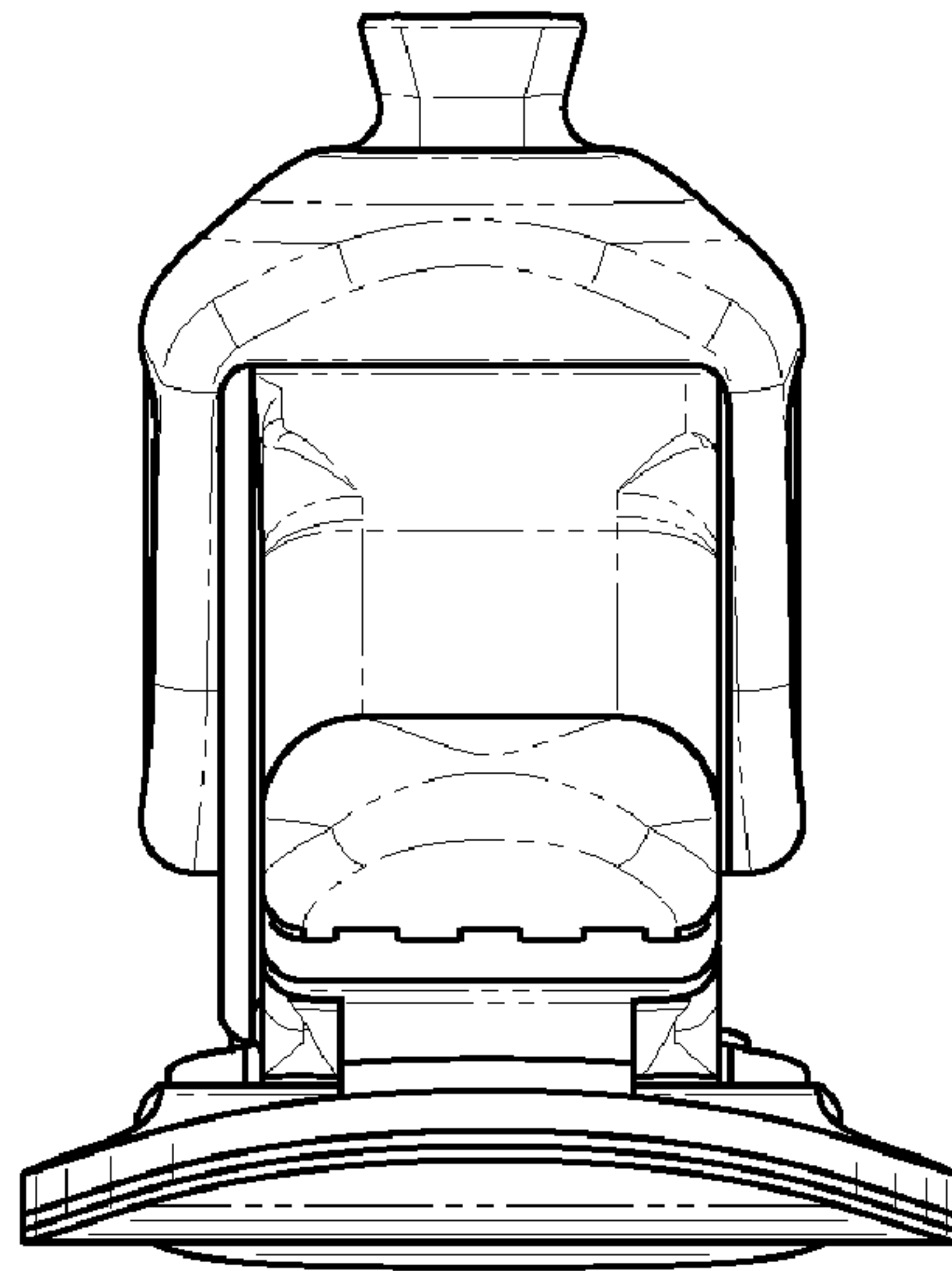


FIG. 4

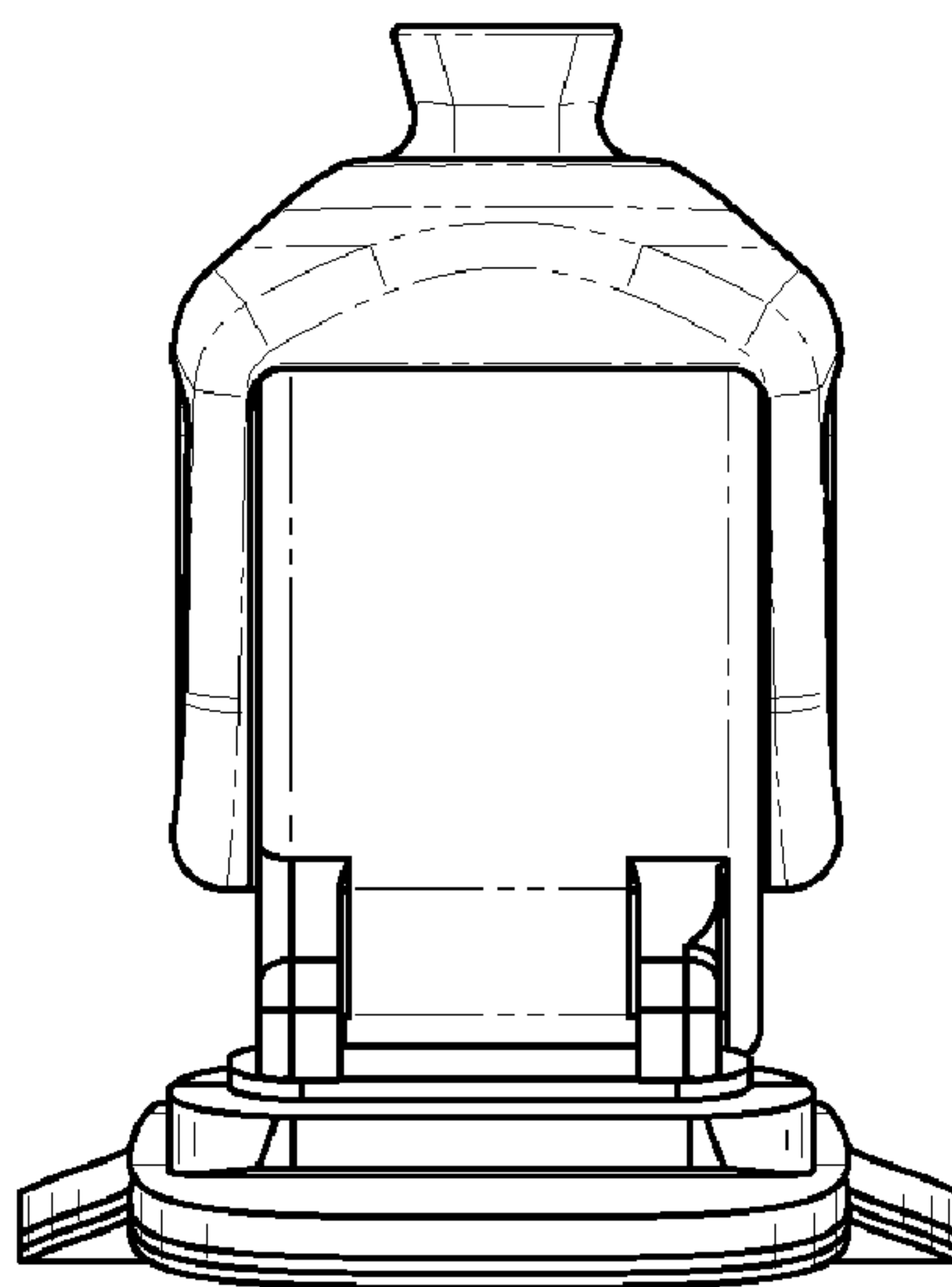


FIG. 5