



US00D632389S

(12) **United States Design Patent**
Maeda et al.

(10) **Patent No.:** **US D632,389 S**
(45) **Date of Patent:** **** Feb. 8, 2011**

(54) **GASKET FOR INJECTOR**

(75) Inventors: **Katsushi Maeda**, Kobe (JP); **Eiji Yao**,
Kobe (JP)

(73) Assignee: **Sumitomo Rubber Industries, Ltd.**,
Kobe (JP)

(**) Term: **14 Years**

(21) Appl. No.: **29/365,785**

(22) Filed: **Jul. 14, 2010**

(30) **Foreign Application Priority Data**

Jan. 14, 2010 (JP) 2010-000747

(51) **LOC (9) Cl.** **24-02**

(52) **U.S. Cl.** **D24/130**

(58) **Field of Classification Search** D24/112,
D24/114, 127-131; 206/363-364, 367; 604/54,
604/110, 192, 263, 295

See application file for complete search history.

(56) **References Cited**

U.S. PATENT DOCUMENTS

D205,269	S *	7/1966	Gray	D24/130
D287,053	S *	12/1986	Bucchianeri et al.	D24/130
4,921,486	A *	5/1990	DeChellis et al.	604/110
4,973,308	A *	11/1990	Borras et al.	604/110
5,057,087	A *	10/1991	Harmon	604/198
5,106,372	A *	4/1992	Ranford	604/110
5,395,339	A *	3/1995	Talonn et al.	604/111
5,722,951	A *	3/1998	Marano	604/110
6,129,712	A *	10/2000	Sudo et al.	604/218
6,511,459	B1 *	1/2003	Fago	604/181
6,716,199	B2 *	4/2004	DeHarde et al.	604/263

D578,210	S *	10/2008	Muta et al.	D24/114
D583,938	S *	12/2008	Sudo	D24/130
D589,612	S *	3/2009	Sudo	D24/130
7,588,556	B2 *	9/2009	Byrne et al.	604/110
7,763,006	B2 *	7/2010	Tennican	604/500
7,766,882	B2 *	8/2010	Sudo et al.	604/218
2001/0053886	A1 *	12/2001	Caizza	604/110
2005/0137533	A1	6/2005	Sudo et al.	
2006/0178643	A1 *	8/2006	Sudo et al.	604/230
2008/0281266	A1 *	11/2008	Walton et al.	604/110
2010/0042055	A1 *	2/2010	Sudo et al.	604/218

* cited by examiner

Primary Examiner—T. Chase Nelson

Assistant Examiner—Eric L Goodman

(74) *Attorney, Agent, or Firm*—Birch, Stewart, Kolasch &
Birch, LLP

(57) **CLAIM**

The ornamental design for a gasket for injector, as shown and described.

DESCRIPTION

FIG. 1 is a front view of a gasket for injector showing my new design;

FIG. 2 is a bottom perspective view thereof;

FIG. 3 is a left side view thereof;

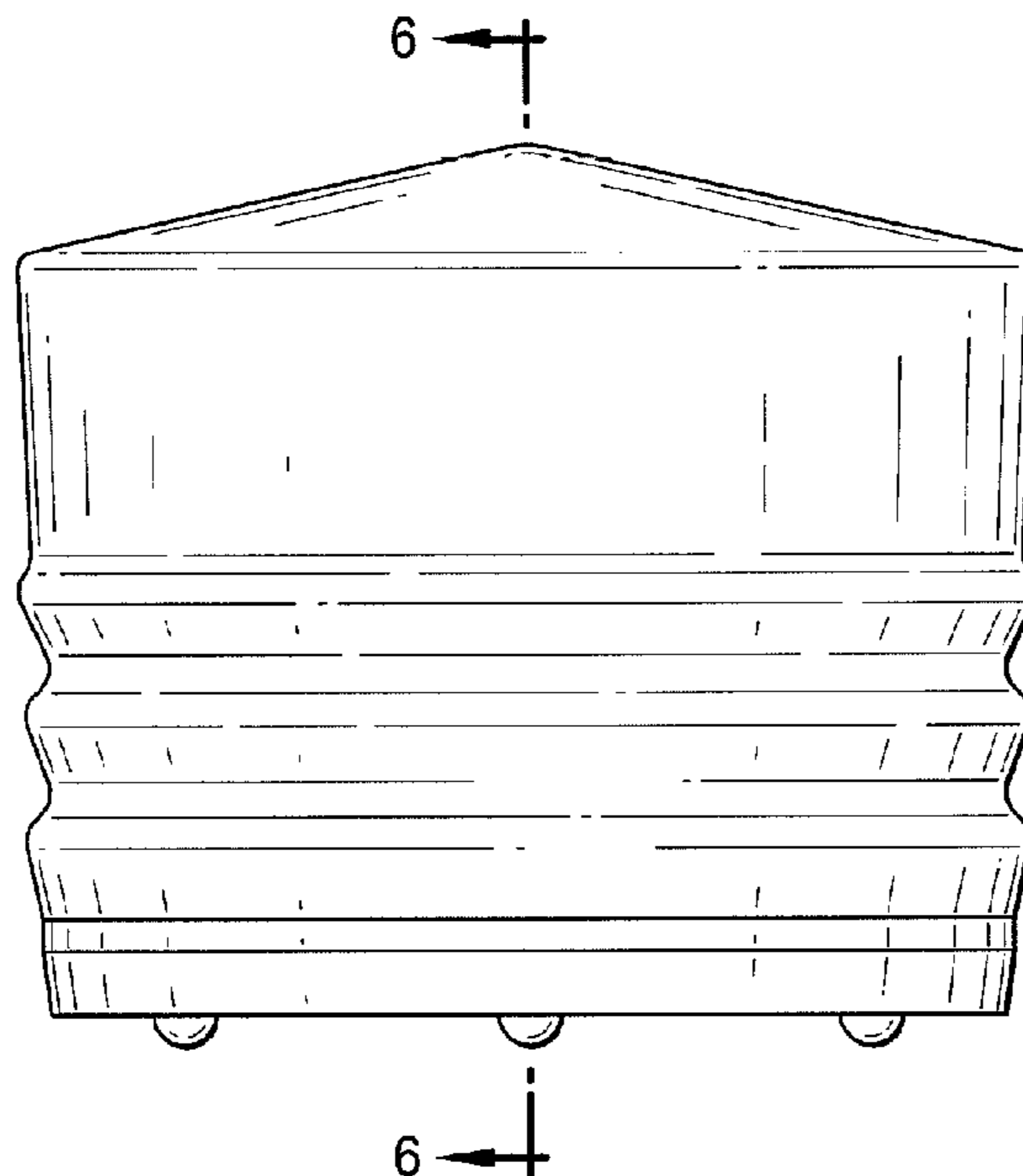
FIG. 4 is a top view thereof;

FIG. 5 is a bottom view thereof; and,

FIG. 6 is a cross-sectional view along line 6—6 as shown in FIG. 1 thereof.

The rear view is the same as the front view and the right side view is the same as the left side view.

1 Claim, 6 Drawing Sheets



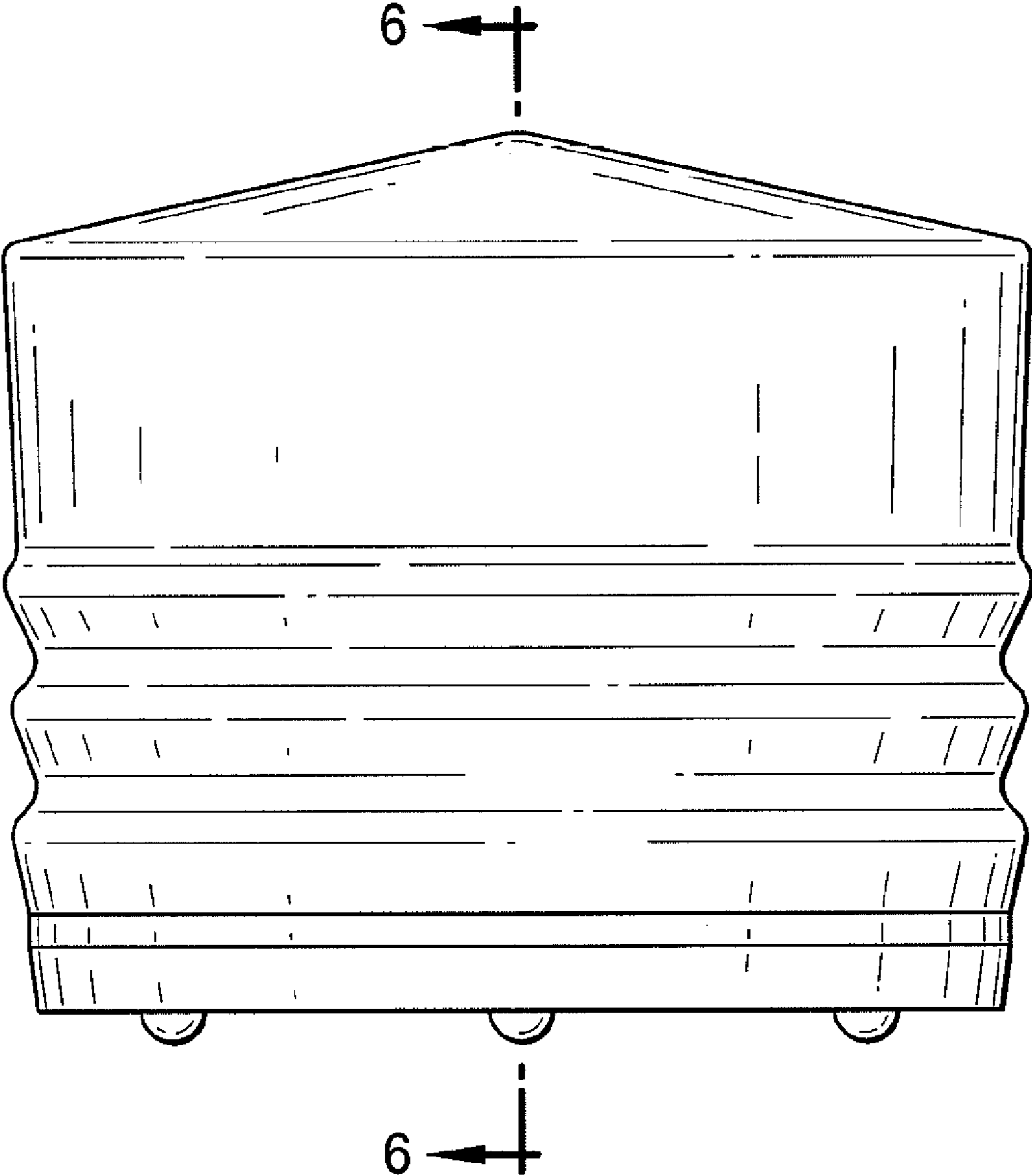


FIG. 1

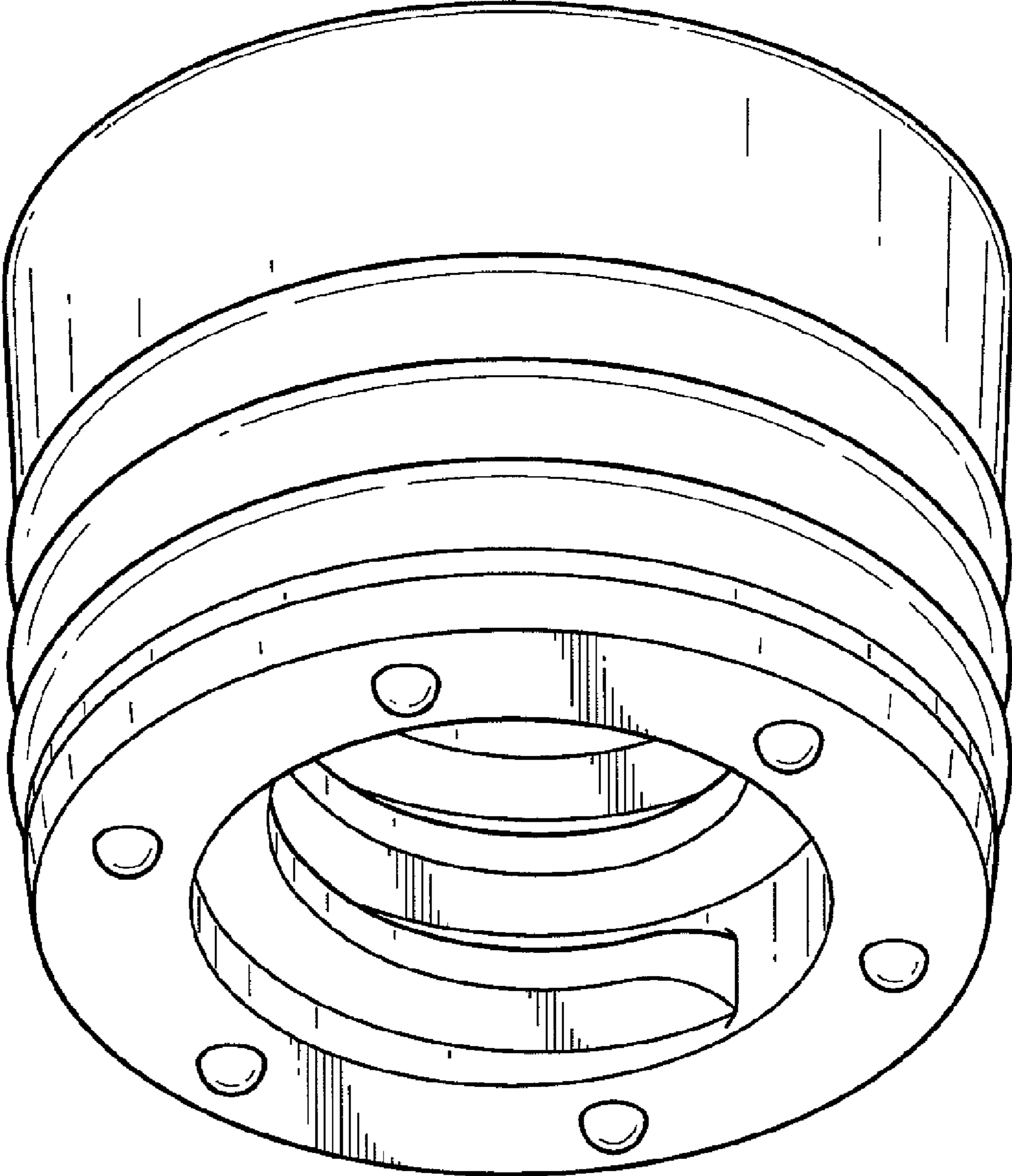


FIG.2

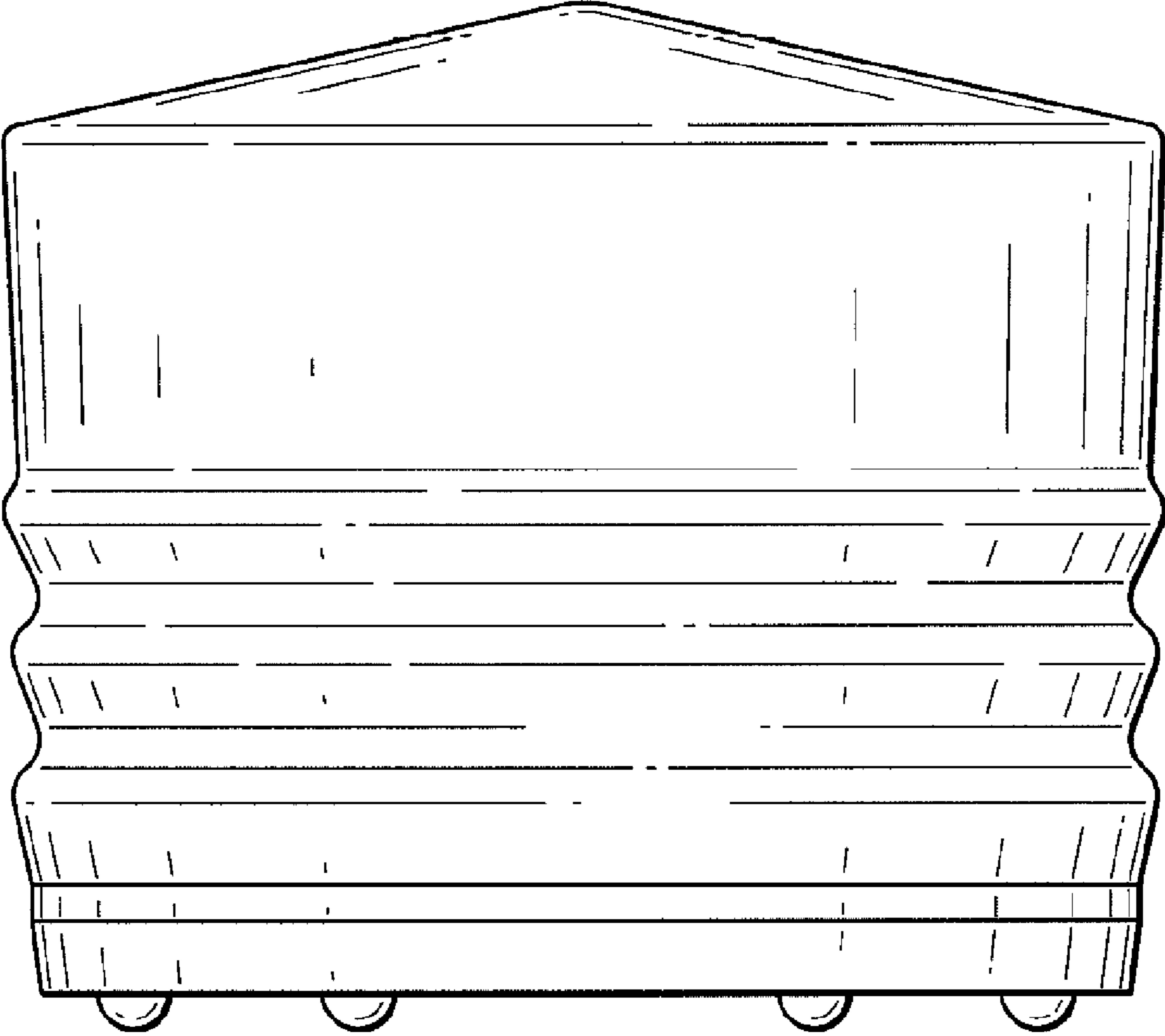


FIG.3

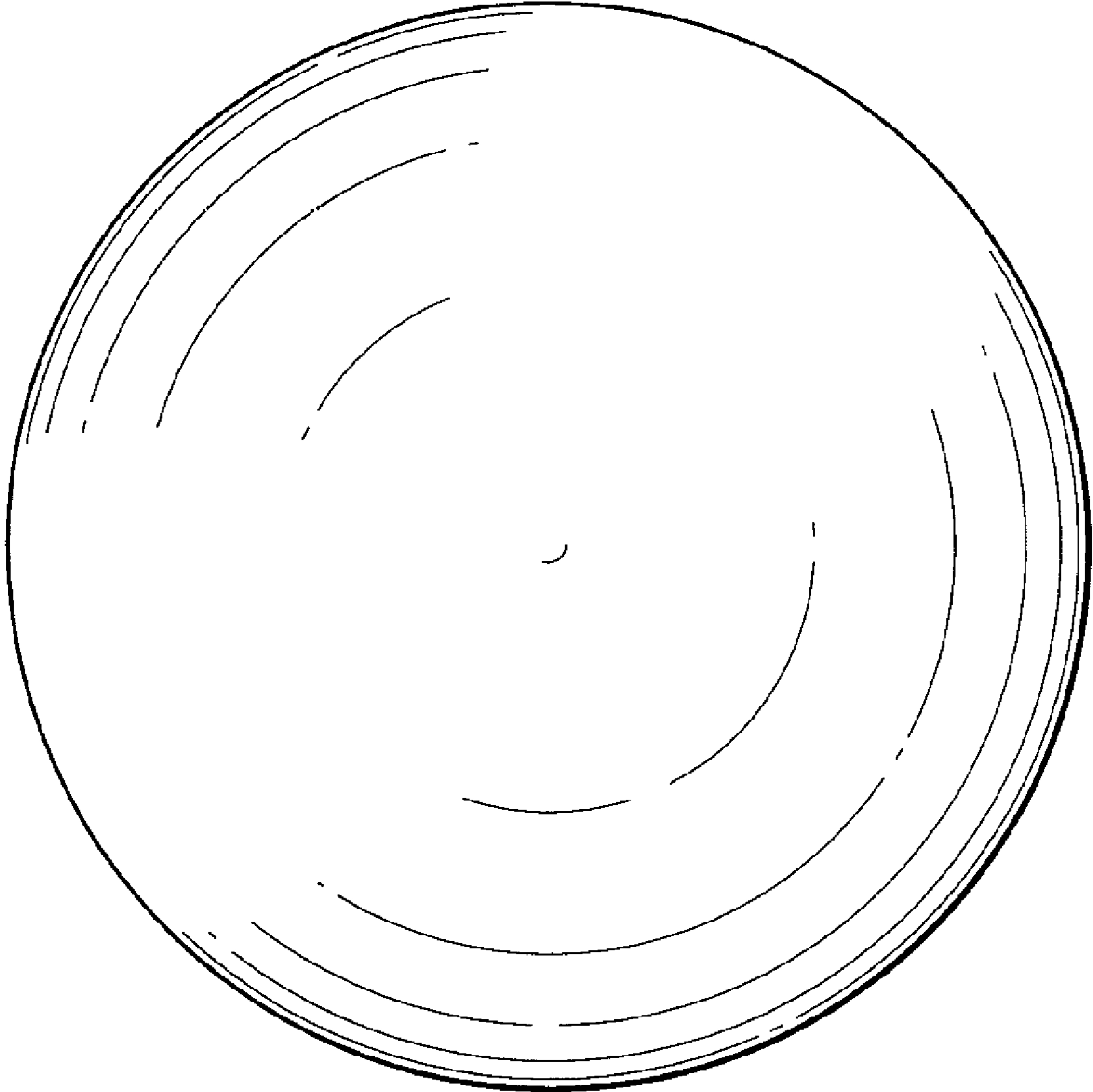


FIG.4

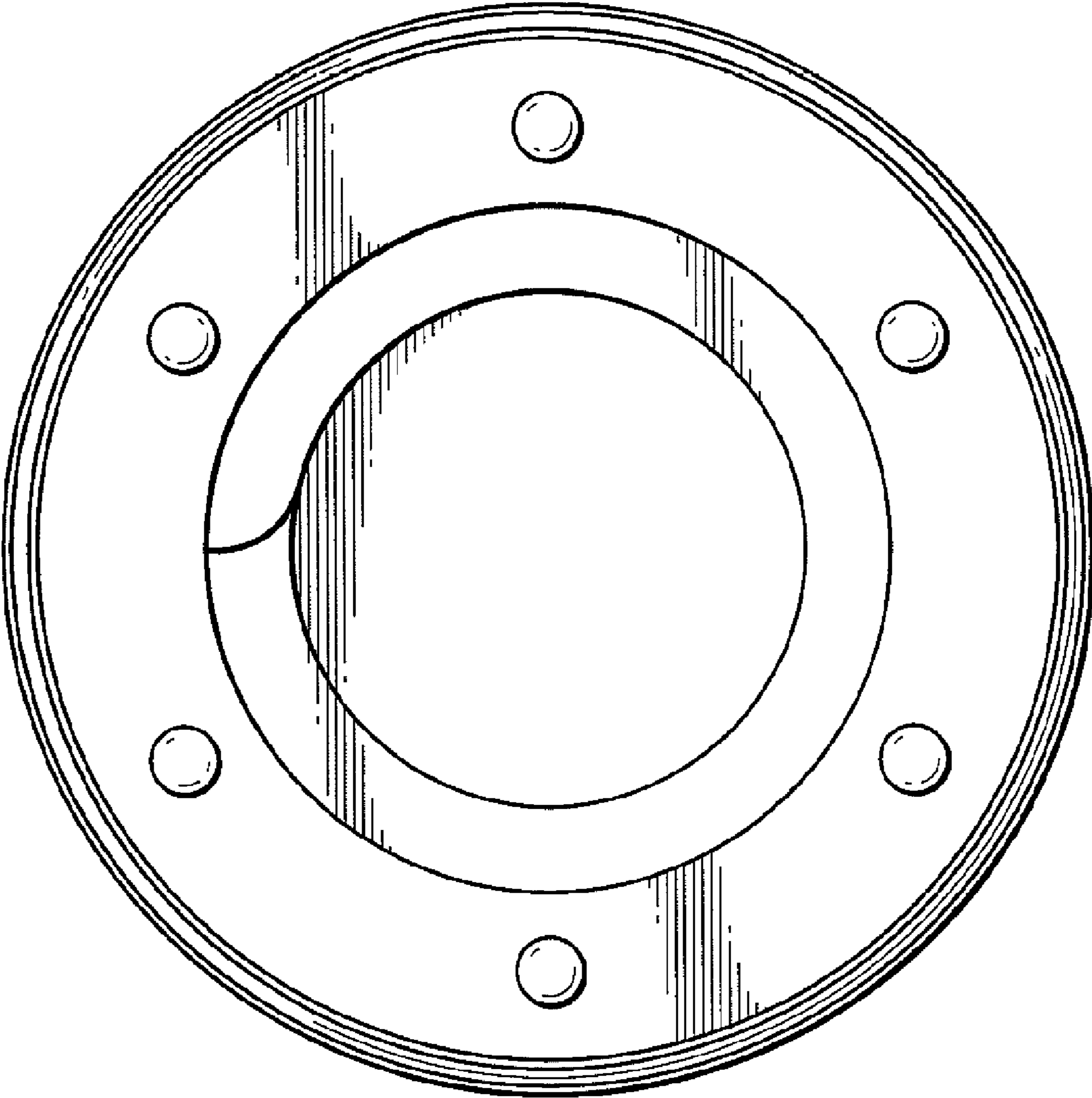


FIG.5

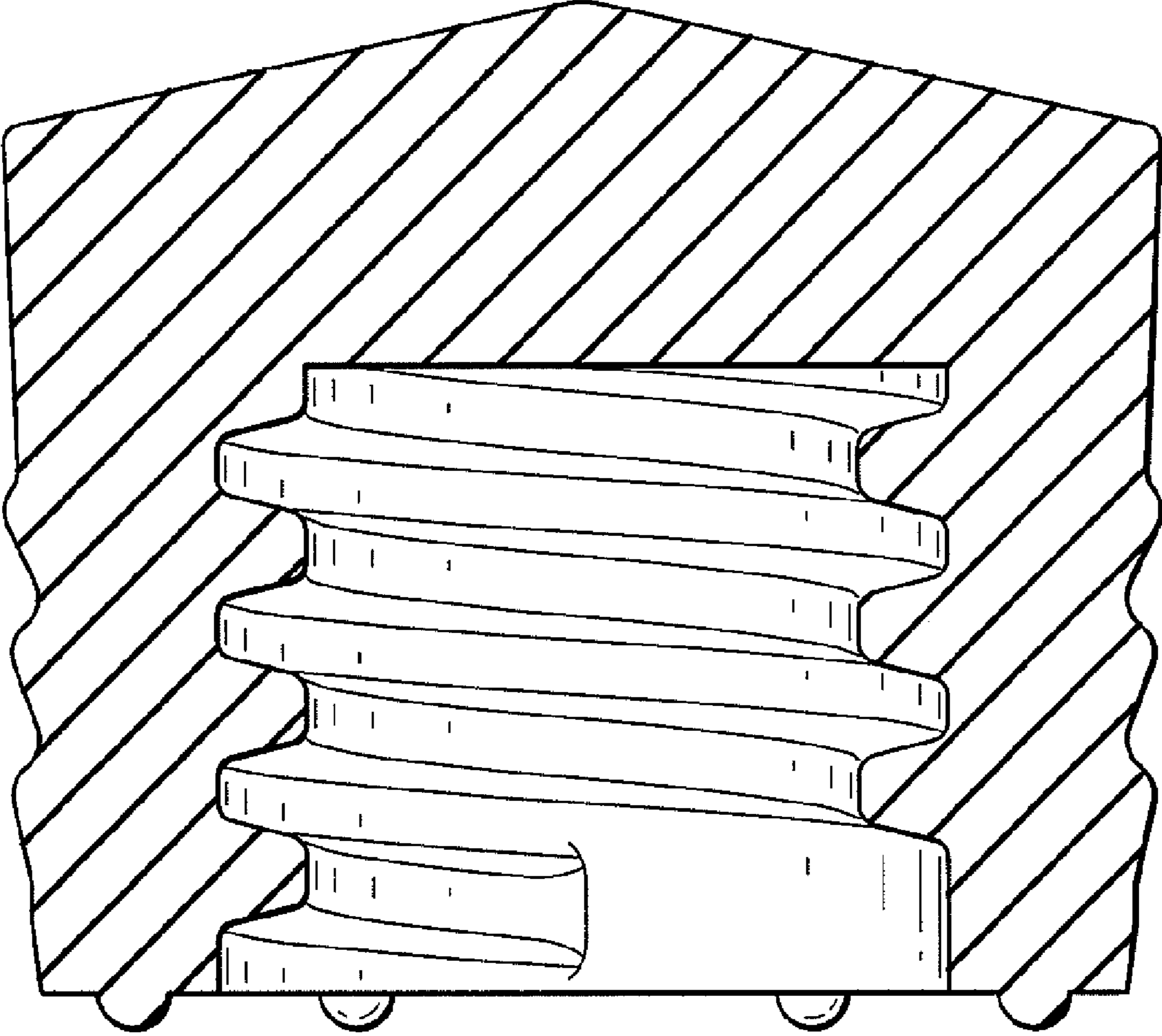


FIG.6