



US00D632384S

(12) **United States Design Patent**  
**Pan**

(10) **Patent No.:** **US D632,384 S**

(45) **Date of Patent:** **\*\* Feb. 8, 2011**

(54) **CEILING FAN MOTOR HOUSING**

D627,873 S \* 11/2010 Pan ..... D23/411  
D628,688 S \* 12/2010 Pan ..... D23/377

(75) Inventor: **Peter Pan**, Shetzu (TW)

\* cited by examiner

(73) Assignee: **Air Cool Industrial Co., Ltd.**, Taichung  
County (TW)

*Primary Examiner*—Lisa P Lichtenstein  
(74) *Attorney, Agent, or Firm*—Ming Chow; Sinorica, LLC

(\*\*) Term: **14 Years**

(57) **CLAIM**

(21) Appl. No.: **29/365,107**

I claim the ornamental design for a ceiling fan motor housing,  
as shown and described.

(22) Filed: **Jul. 2, 2010**

(51) **LOC (9) Cl.** ..... **23-04**

(52) **U.S. Cl.** ..... **D23/411**

(58) **Field of Classification Search** ..... D23/377,  
D23/379, 385, 411, 413; 416/5; D26/59,  
D26/72, 81–86, 88, 51

See application file for complete search history.

**DESCRIPTION**

FIG. 1 is a front perspective view of a ceiling fan motor housing showing my new design;

FIG. 2 is a front elevational view thereof;

FIG. 3 is a rear elevational view thereof.

FIG. 4 is a left side elevational view thereof;

FIG. 5 is a right side elevational view thereof;

FIG. 6 is a top plan view thereof; and,

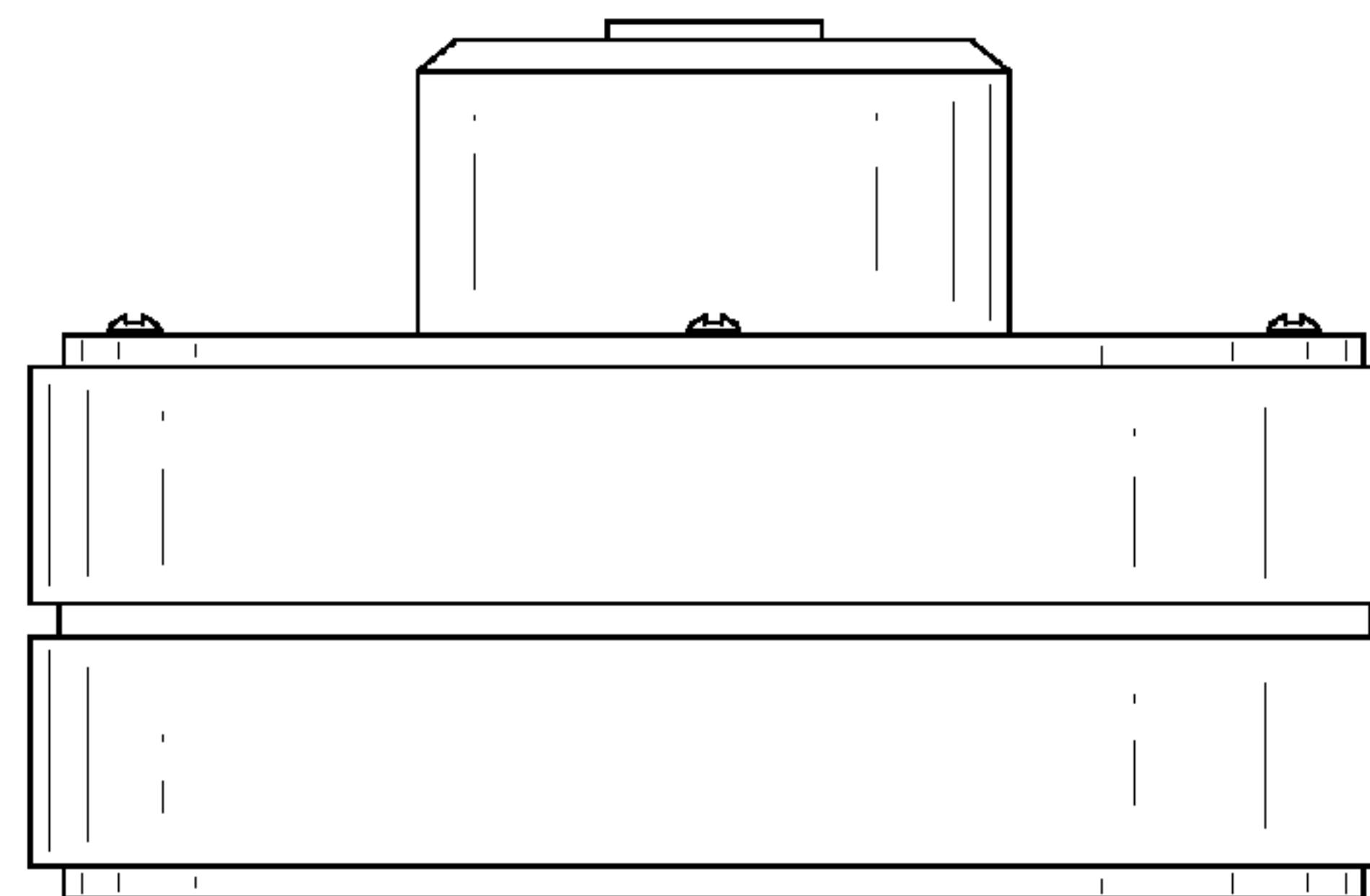
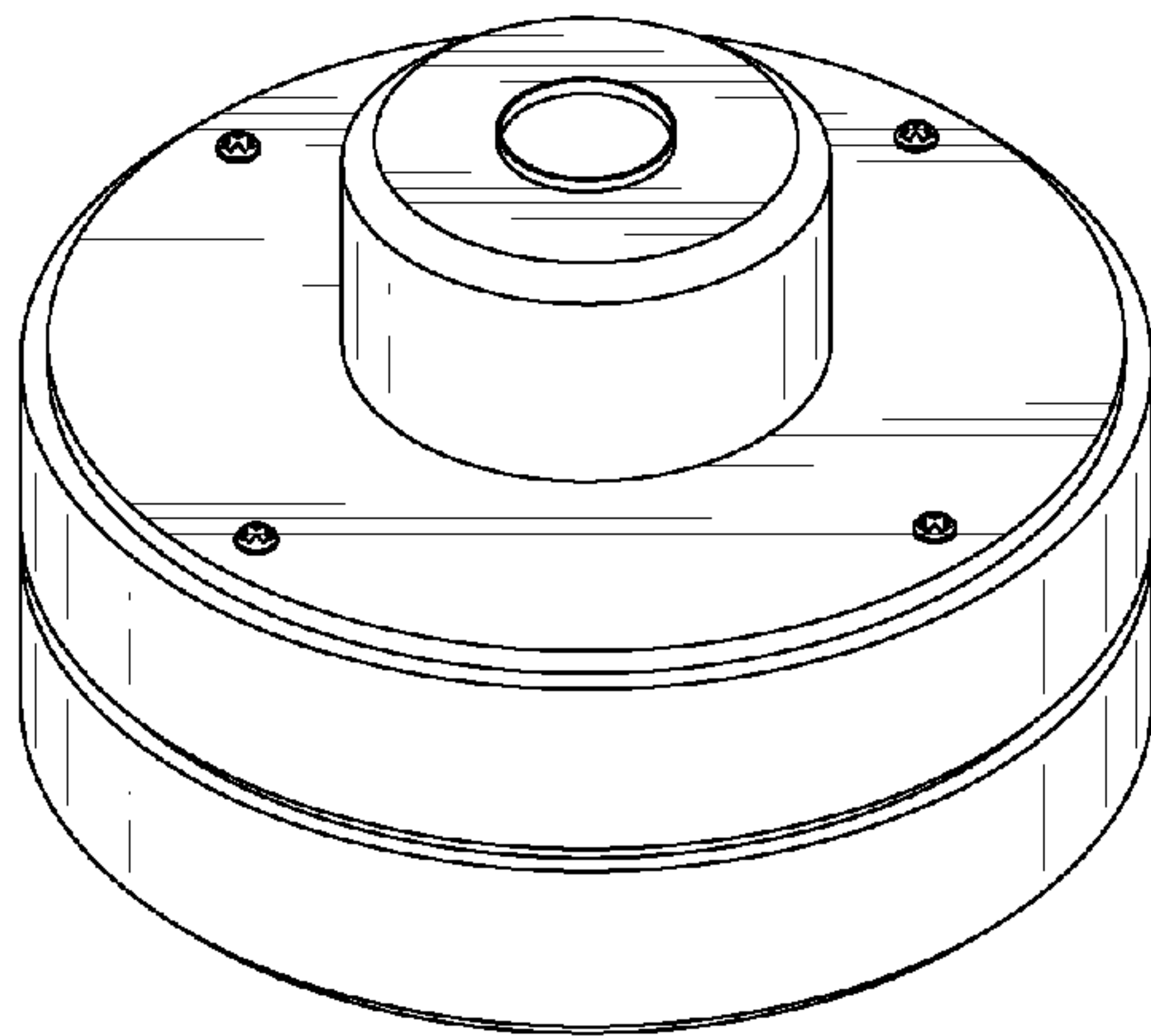
FIG. 7 is a bottom plan view thereof.

(56) **References Cited**

**U.S. PATENT DOCUMENTS**

D325,776 S \* 4/1992 Scofield et al. .... D23/377  
D547,436 S \* 7/2007 Shurtleff ..... D23/411  
D627,456 S \* 11/2010 Glasbrenner ..... D23/411

**1 Claim, 4 Drawing Sheets**



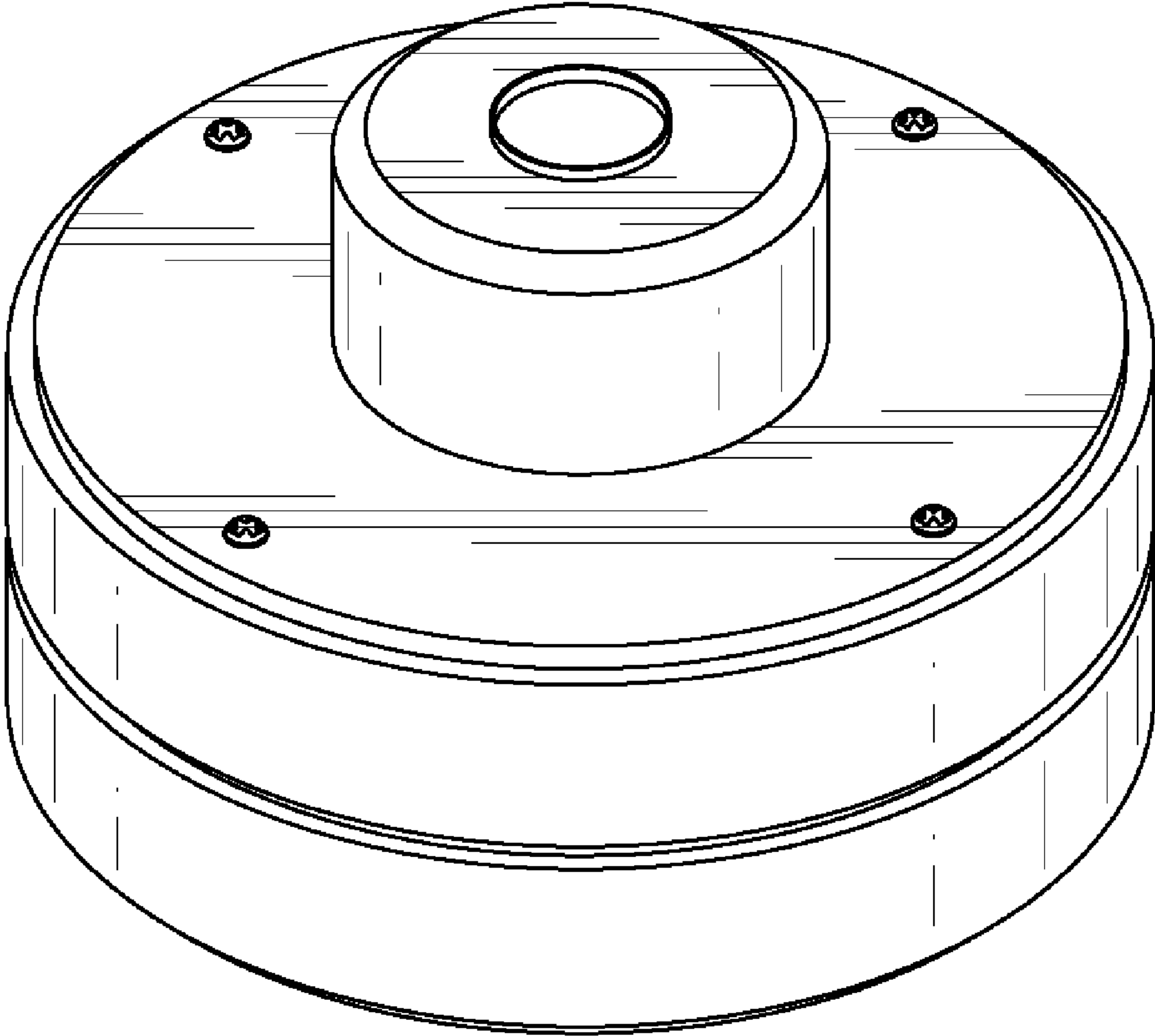


FIG. 1

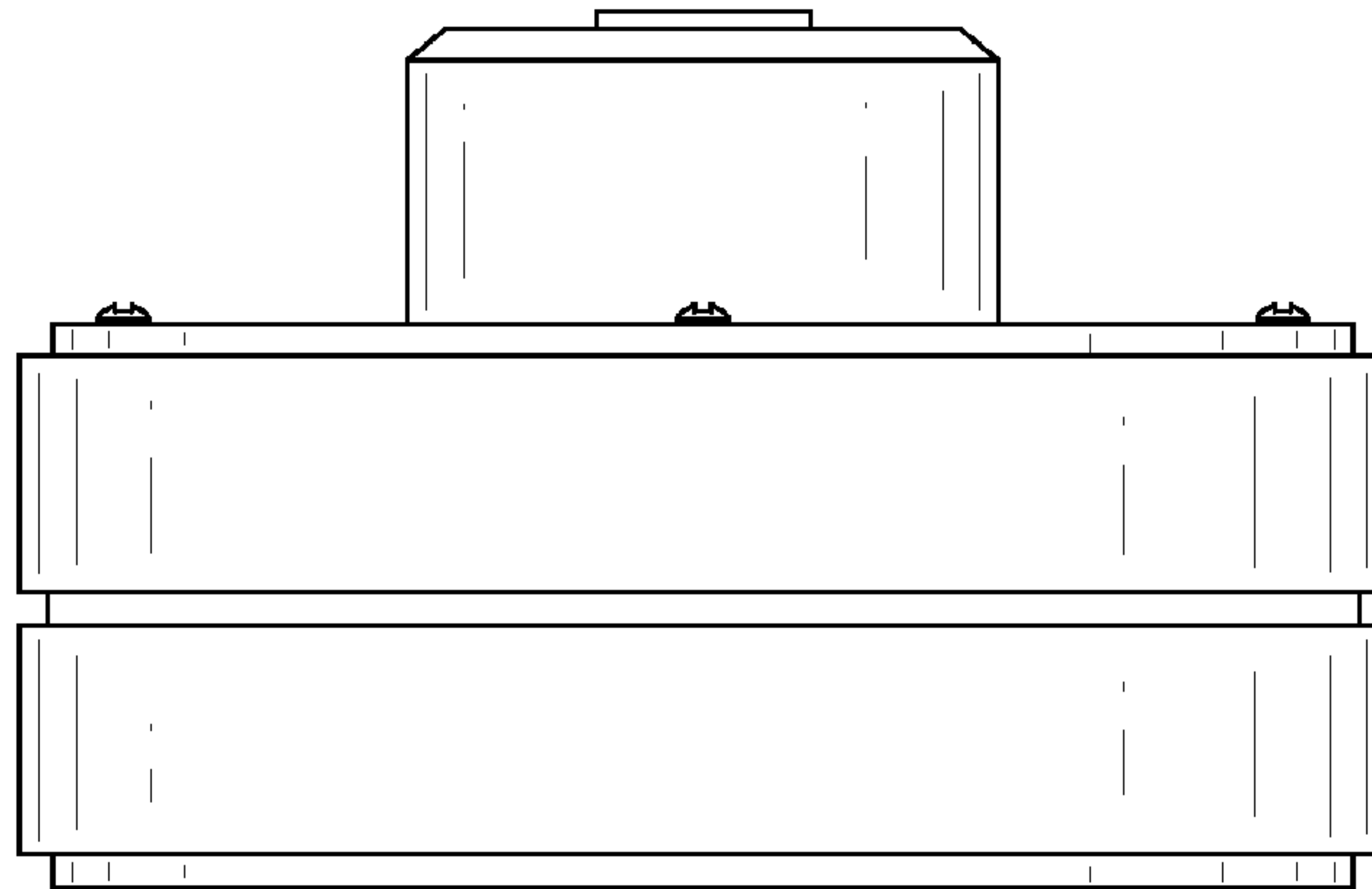


FIG. 2

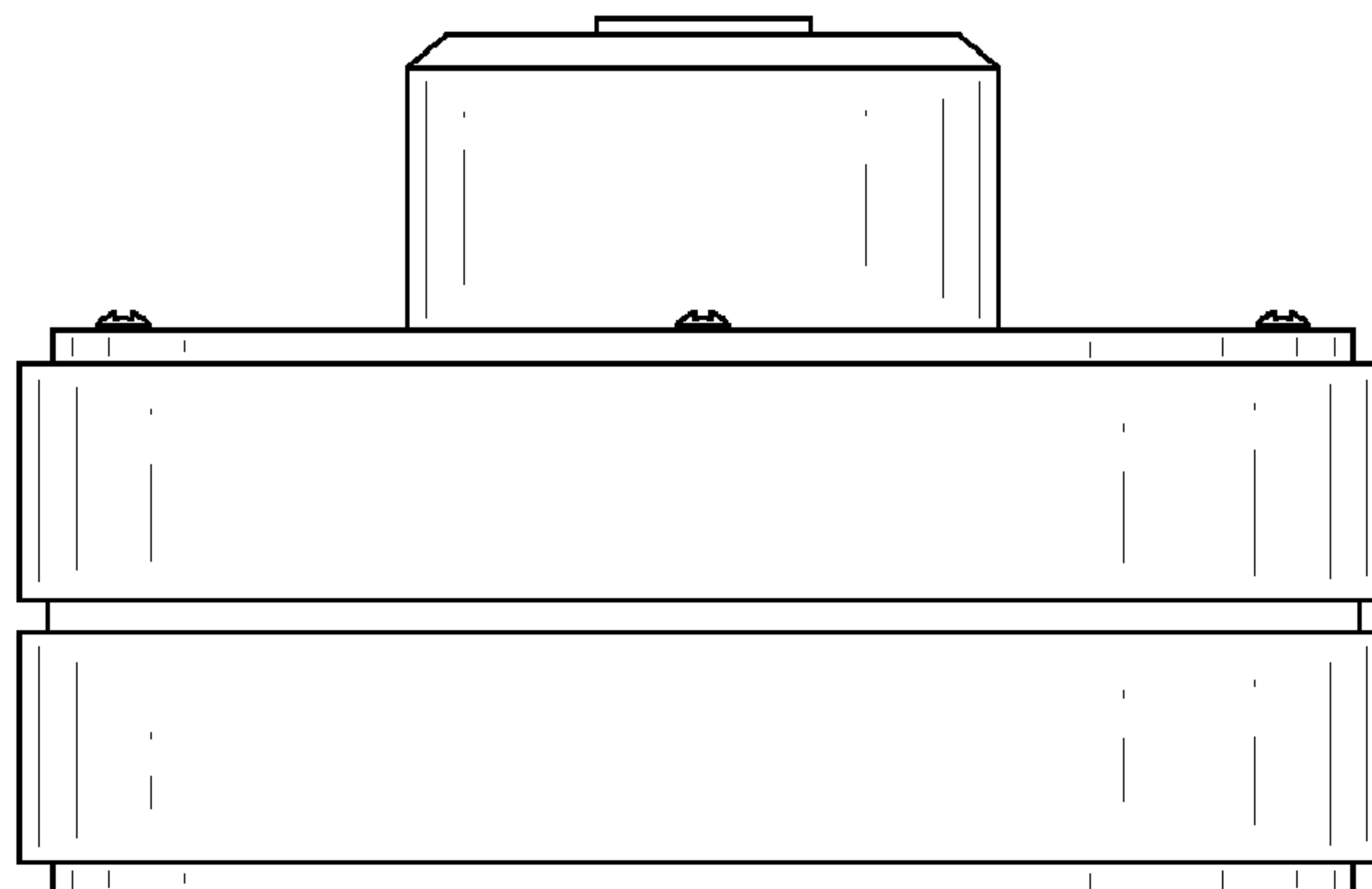


FIG. 3

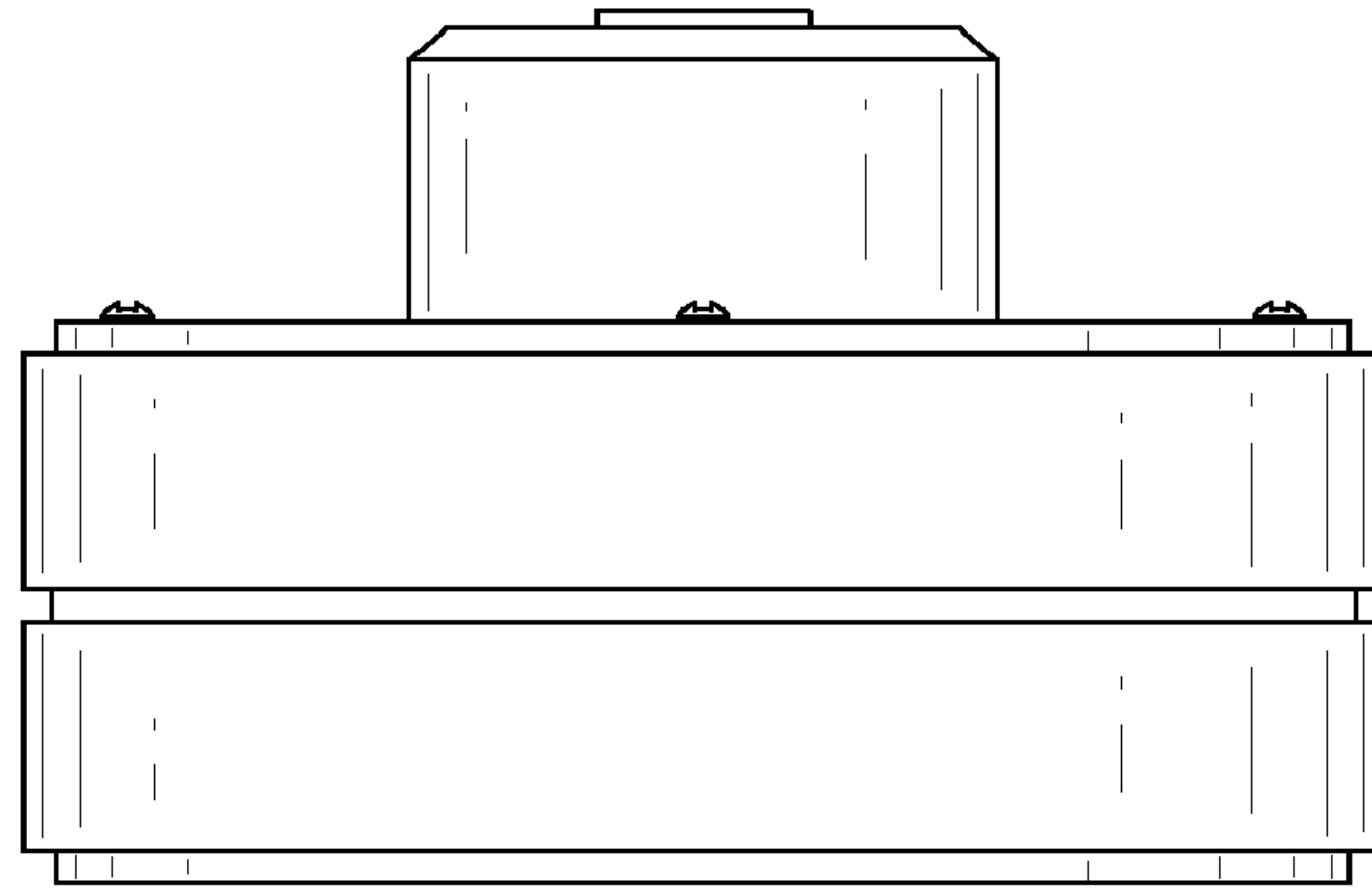


FIG. 4

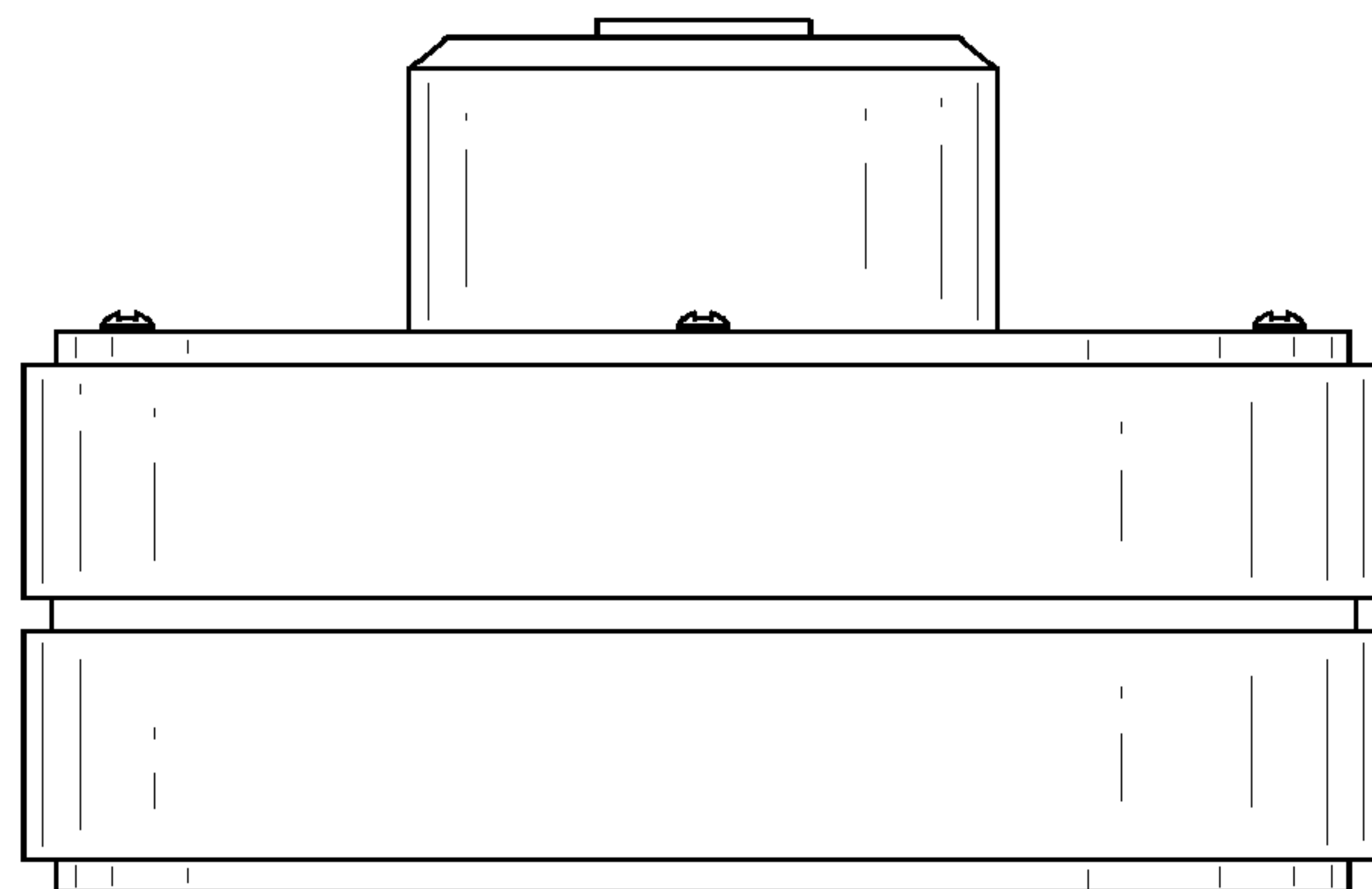


FIG. 5

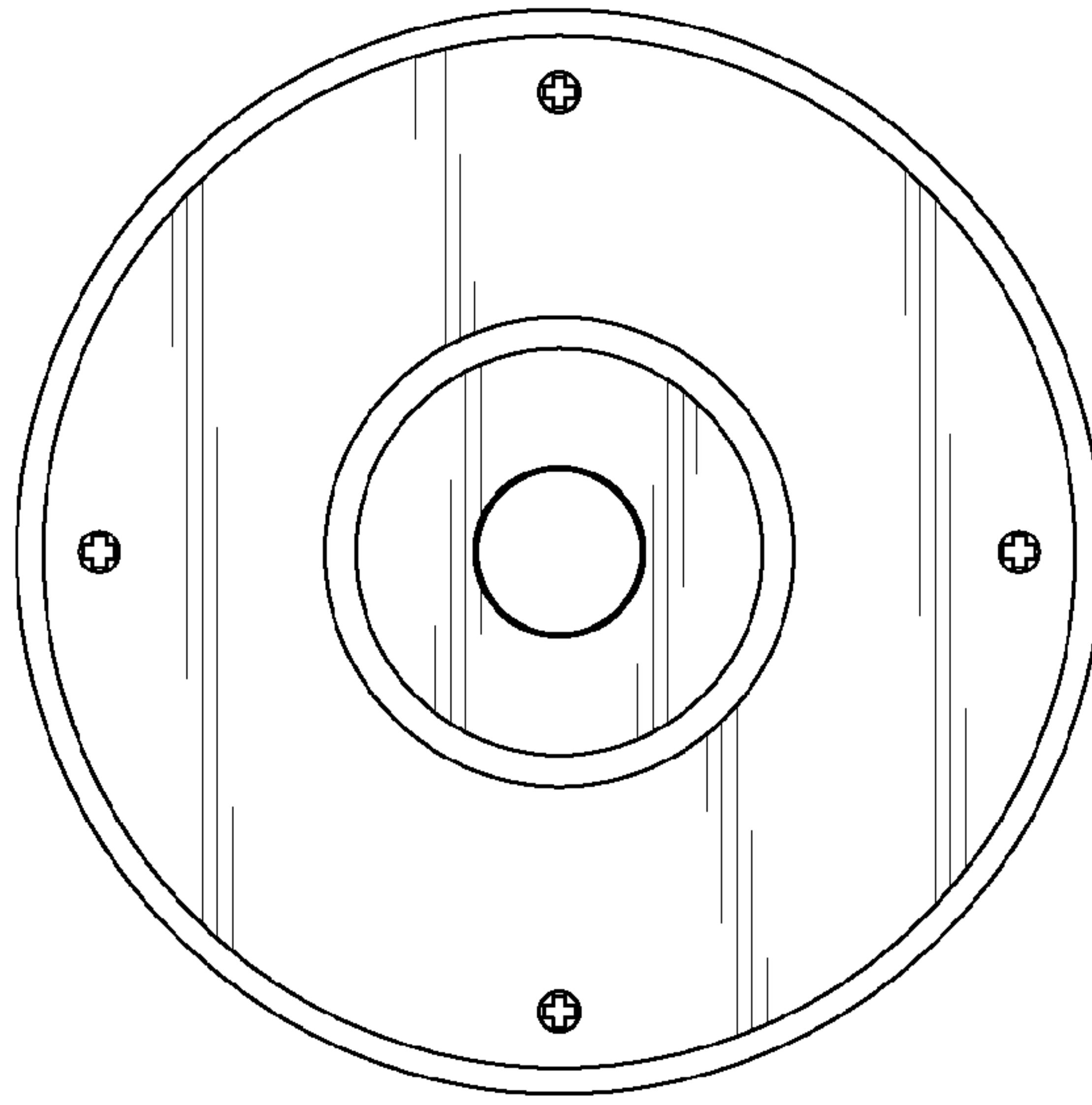


FIG. 6

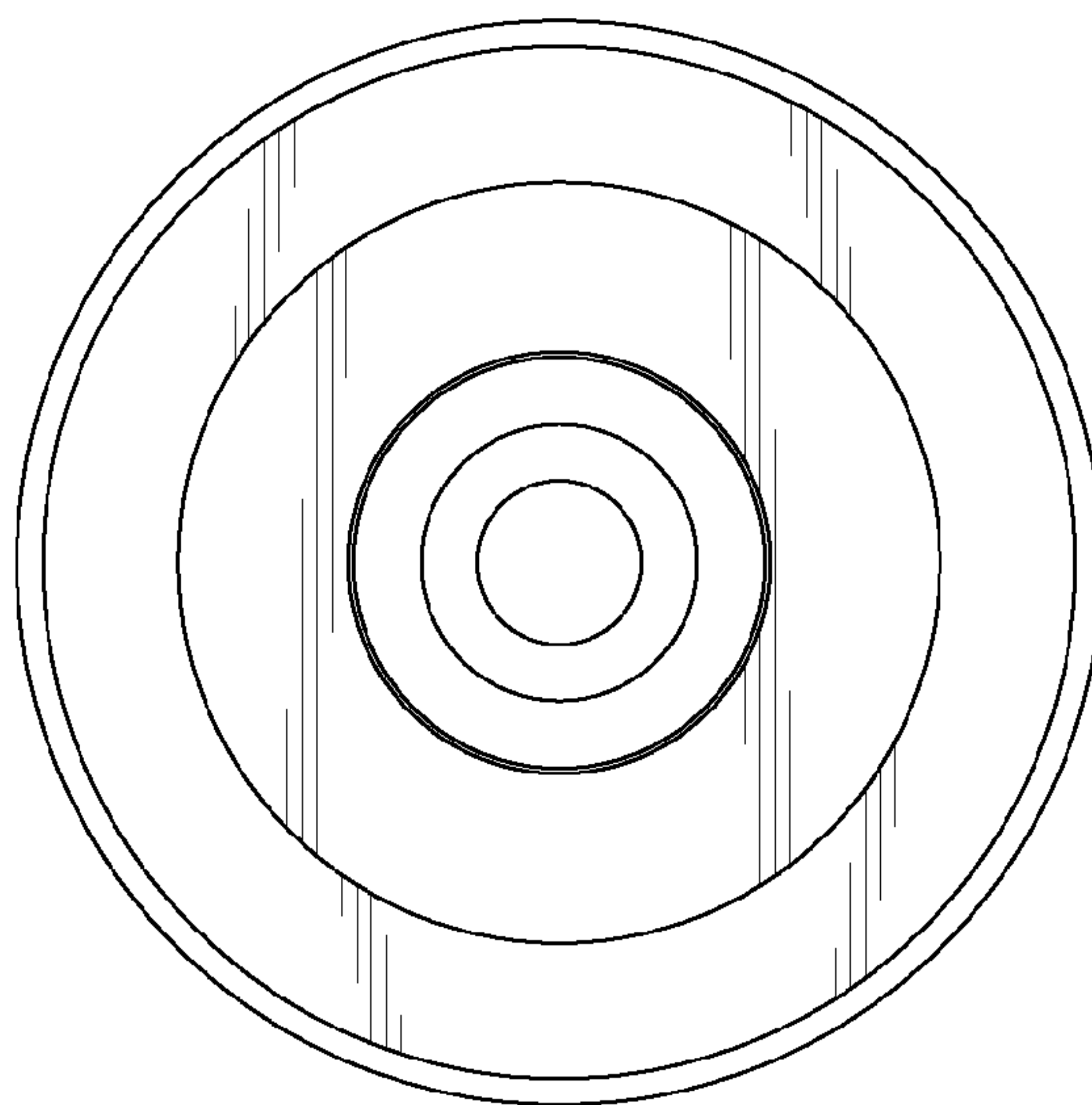


FIG. 7