



US00D632381S

(12) **United States Design Patent**
Davenport et al.

(10) **Patent No.:** **US D632,381 S**

(45) **Date of Patent:** **** *Feb. 8, 2011**

(54) **CEILING FAN**

(75) Inventors: **Dennis Dean Davenport**, Weatherford, TX (US); **Jimmy Jack Jones**, Crowley, TX (US)

(73) Assignee: **Sea Gull Lighting**, Riverside, NJ (US)

(**) Term: **14 Years**

(21) Appl. No.: **29/352,413**

(22) Filed: **Dec. 21, 2009**

(51) **LOC (9) Cl.** **23-04**

(52) **U.S. Cl.** **D23/377**

(58) **Field of Classification Search** D23/377,
D23/379, 385, 411, 413; 416/5; D26/59,
D26/72, 81-88

See application file for complete search history.

(56) **References Cited**

U.S. PATENT DOCUMENTS

D346,439 S	4/1994	Liu	
D347,887 S	6/1994	Liu	
D384,737 S	10/1997	Gee et al.	
D427,672 S *	7/2000	Lee D23/411
D448,840 S	10/2001	Gajewski	
D453,563 S	2/2002	Bogazzi	
D466,206 S	11/2002	Gajewski	
D475,782 S	6/2003	Hidalgo	
D476,408 S	6/2003	Hidalgo	
D476,411 S	6/2003	Friedes	
D478,974 S	8/2003	Hidalgo	
D488,554 S	4/2004	Bacon et al.	
D492,022 S	6/2004	Young	
D525,699 S *	7/2006	Davenport et al. D23/377

D535,014 S *	1/2007	Pickett D23/411
D536,438 S	2/2007	Curtin	
D557,787 S	12/2007	Gajewski	
D557,791 S	12/2007	Cox	
D572,814 S	7/2008	Bucher et al.	
D594,543 S	6/2009	Pan	
D598,997 S	8/2009	Klausing et al.	
D599,461 S	9/2009	Ertze	
D599,900 S	9/2009	Chen	

* cited by examiner

Primary Examiner—Lisa P Lichtenstein

(74) *Attorney, Agent, or Firm*—Woodcock Washburn LLP

(57) **CLAIM**

The ornamental design for a ceiling fan, as shown and described.

DESCRIPTION

FIG. 1 is a bottom perspective view of a ceiling fan according to our design;

FIG. 2 is a bottom plan view thereof;

FIG. 3 is a right side elevation view thereof;

FIG. 4 is a left side elevation view thereof; and,

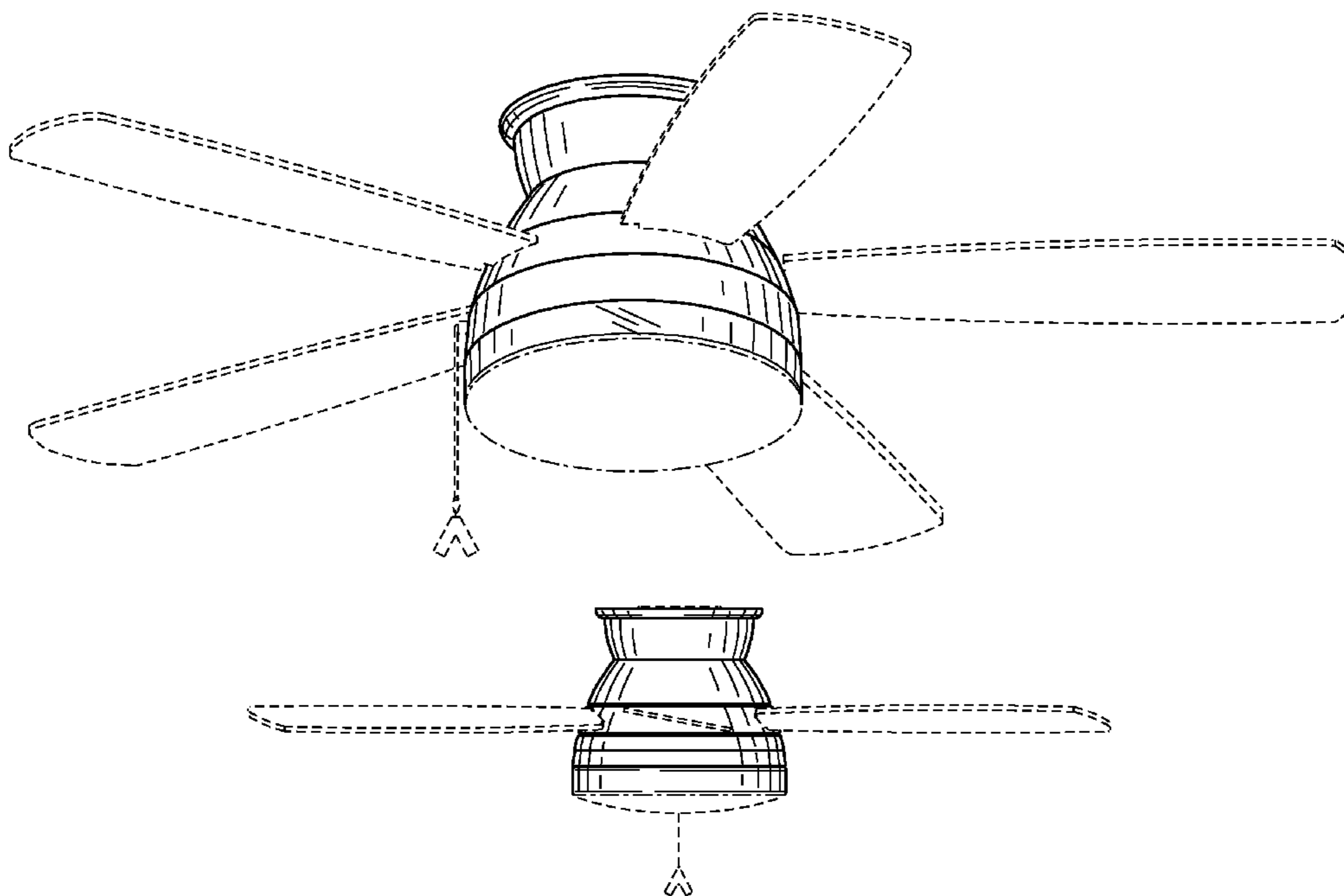
FIG. 5 is a top plan view thereof.

The broken line representations are for the purpose of illustration only, and form no part of the claimed design.

In a preferred embodiment, the nature of this product is a ceiling fan in the form of a ceiling fan housing configured for retaining a plurality of fan blades.

The dot dash line represents a boundary.

1 Claim, 4 Drawing Sheets



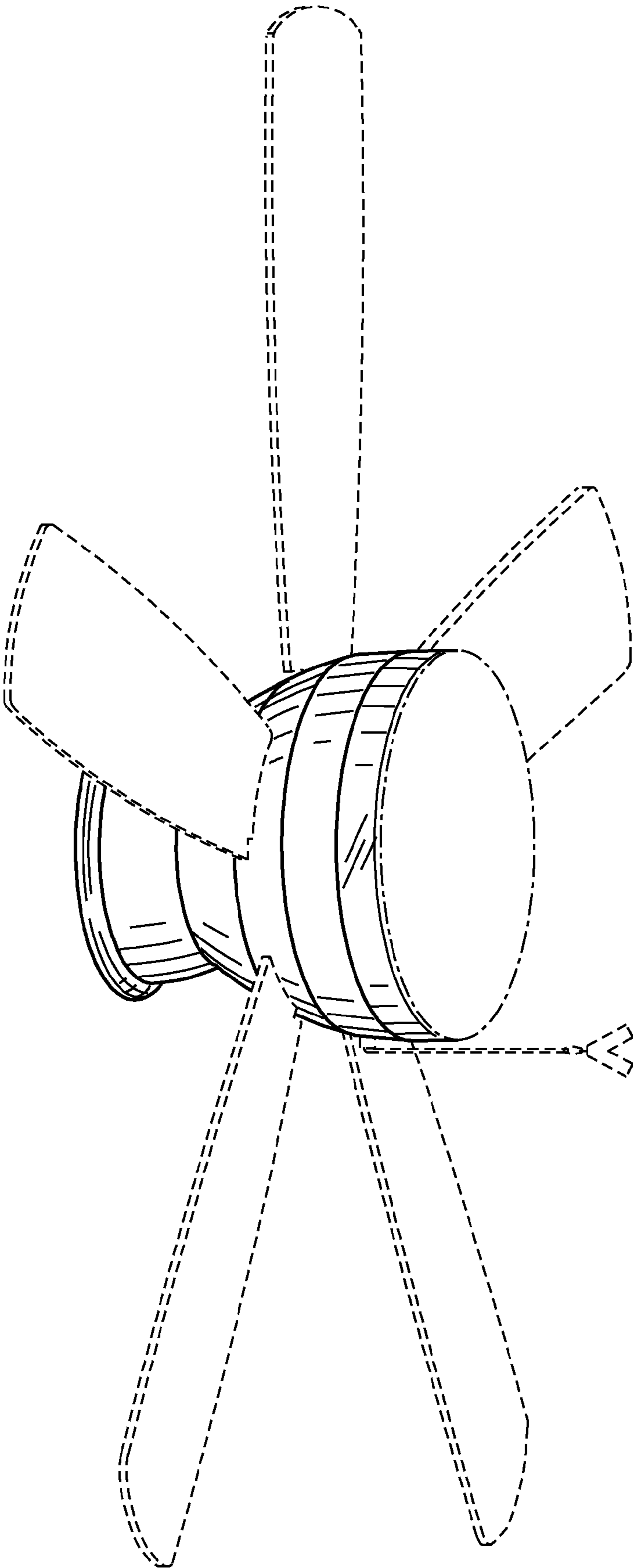


FIG. 1

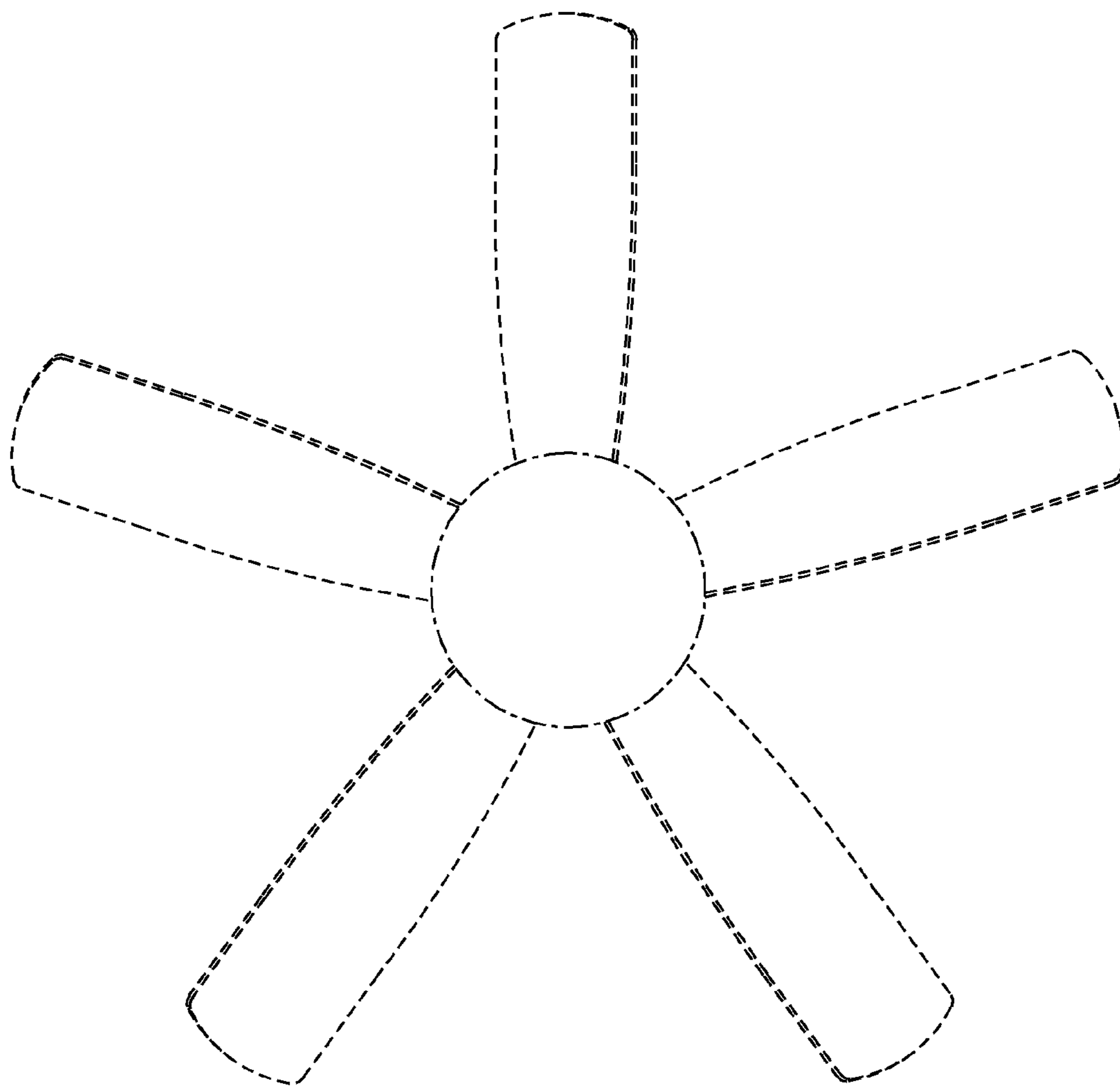


FIG. 2

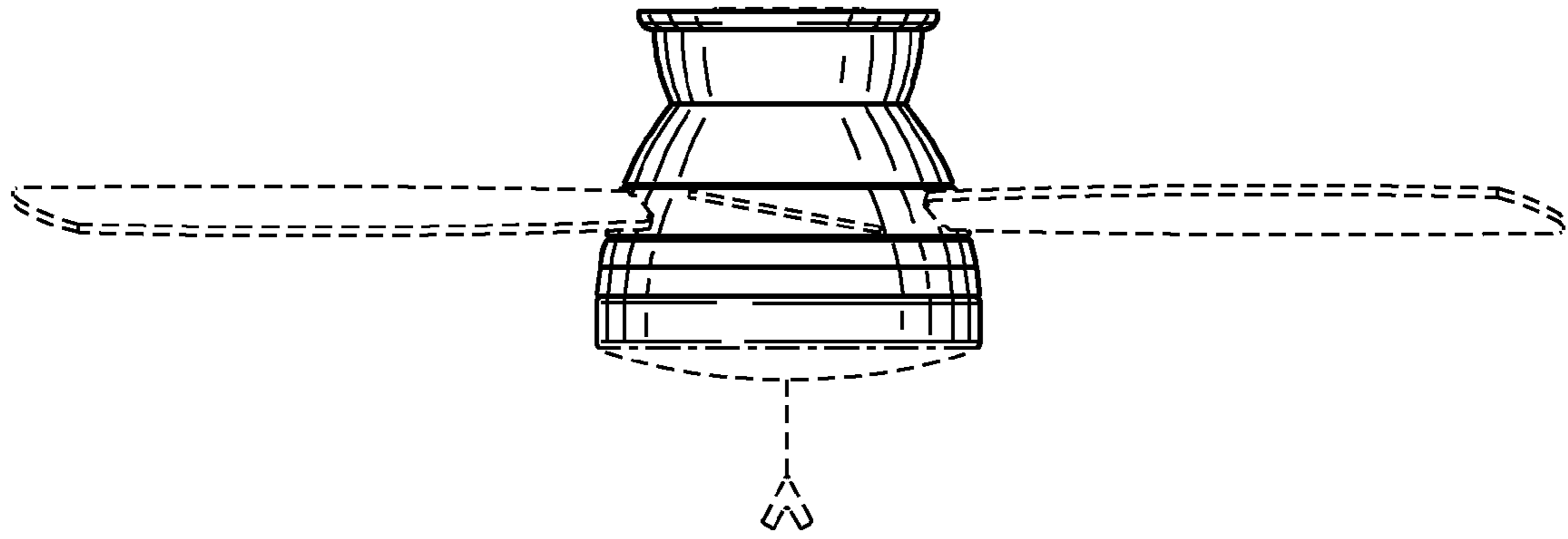


FIG. 3

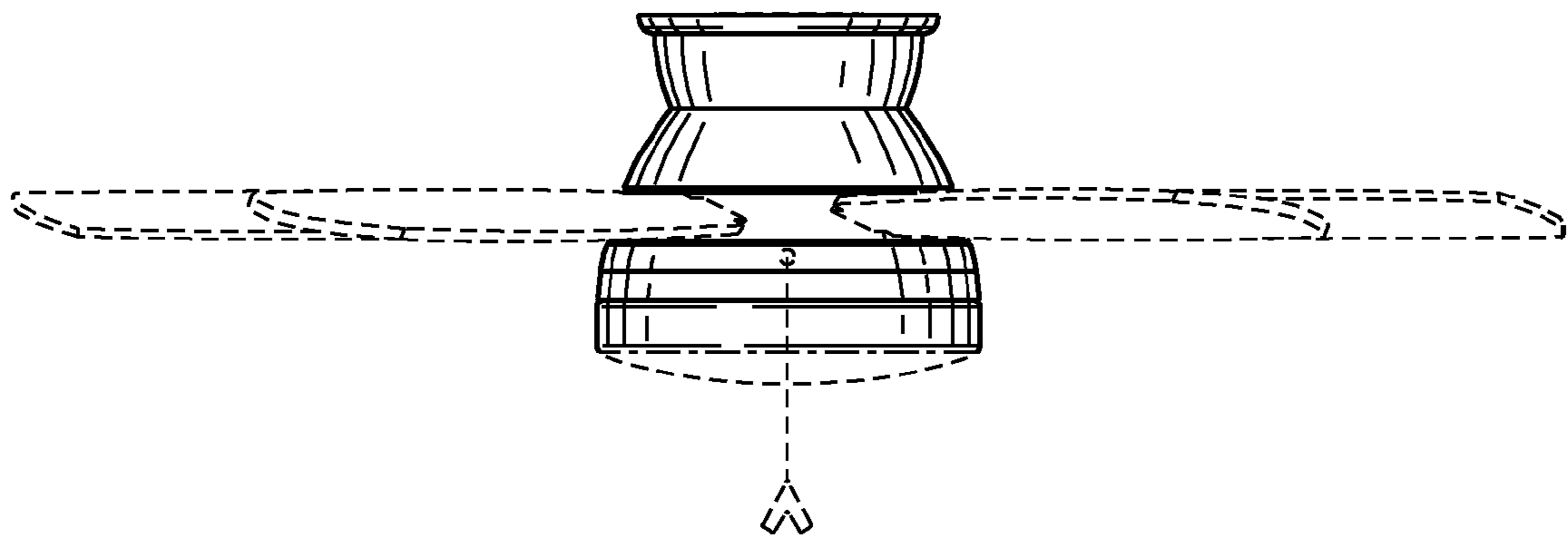


FIG. 4

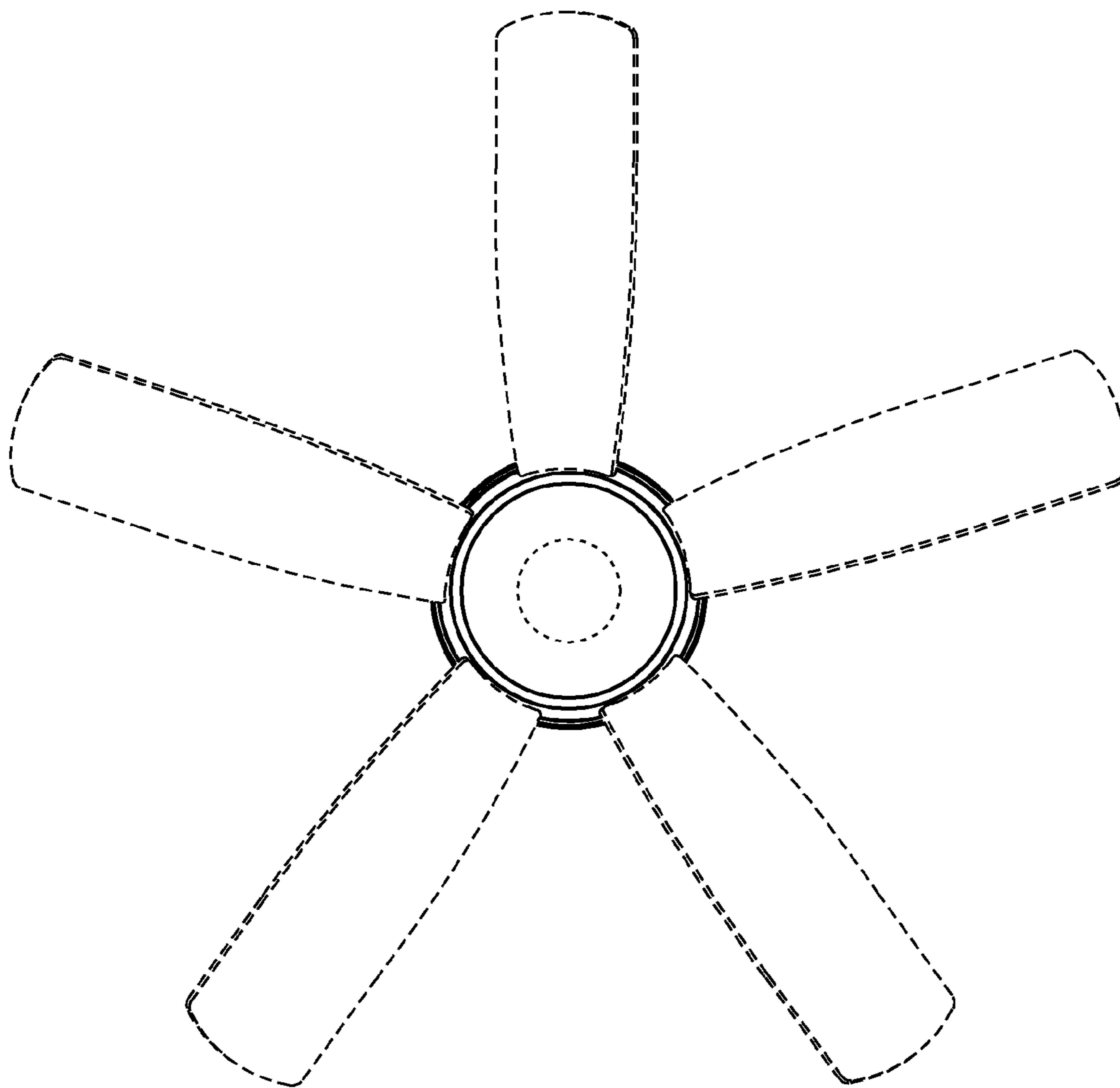


FIG. 5