



US00D632378S

(12) **United States Design Patent**
Deflorian et al.

(10) **Patent No.:** **US D632,378 S**

(45) **Date of Patent:** **** Feb. 8, 2011**

(54) **VOLATILE SUBSTANCES EVAPORATOR**

(75) Inventors: **Stefano Deflorian**, Trento (IT); **Walter Sordo**, Trento (IT)

(73) Assignee: **Zobebe Holding S.p.A.**, Trento (IT)

(**) Term: **14 Years**

(21) Appl. No.: **29/361,221**

(22) Filed: **May 7, 2010**

(30) **Foreign Application Priority Data**

Nov. 10, 2009 (EM) 001634486-0001

(51) **LOC (9) Cl.** **28-99**

(52) **U.S. Cl.** **D23/366**

(58) **Field of Classification Search** D23/355-369;
D28/5, 6; 261/DIG. 17, DIG. 42, DIG. 65,
261/DIG. 88, DIG. 89; 392/386, 390, 391,
392/392, 394, 395, 389, 393; 239/34, 35,
239/43-45, 53, 56, 57, 60, 326, 42, 50, 55

See application file for complete search history.

(56) **References Cited**

U.S. PATENT DOCUMENTS

D89,900 S * 5/1933 Lippert D22/122
D240,829 S * 8/1976 Jones D9/689

D292,311 S * 10/1987 Joyaux et al. D23/366
D508,988 S * 8/2005 Chen et al. D23/366
D532,093 S * 11/2006 Helf et al. D23/366
D543,613 S * 5/2007 Holekamp D23/366
D553,231 S * 10/2007 Li D23/366
D603,291 S * 11/2009 Wessling D11/121
D613,844 S * 4/2010 Jorgensen D23/366

* cited by examiner

Primary Examiner—Sandra Snapp

(74) *Attorney, Agent, or Firm*—Myers Wolin, LLC

(57) **CLAIM**

We claim the ornamental design for a volatile substances evaporator, as shown and described.

DESCRIPTION

FIG. 1 is a front perspective view of one embodiment of a volatile substances evaporator showing our new design;

FIG. 2 is a front elevation thereof;

FIG. 3 is a right side elevation thereof;

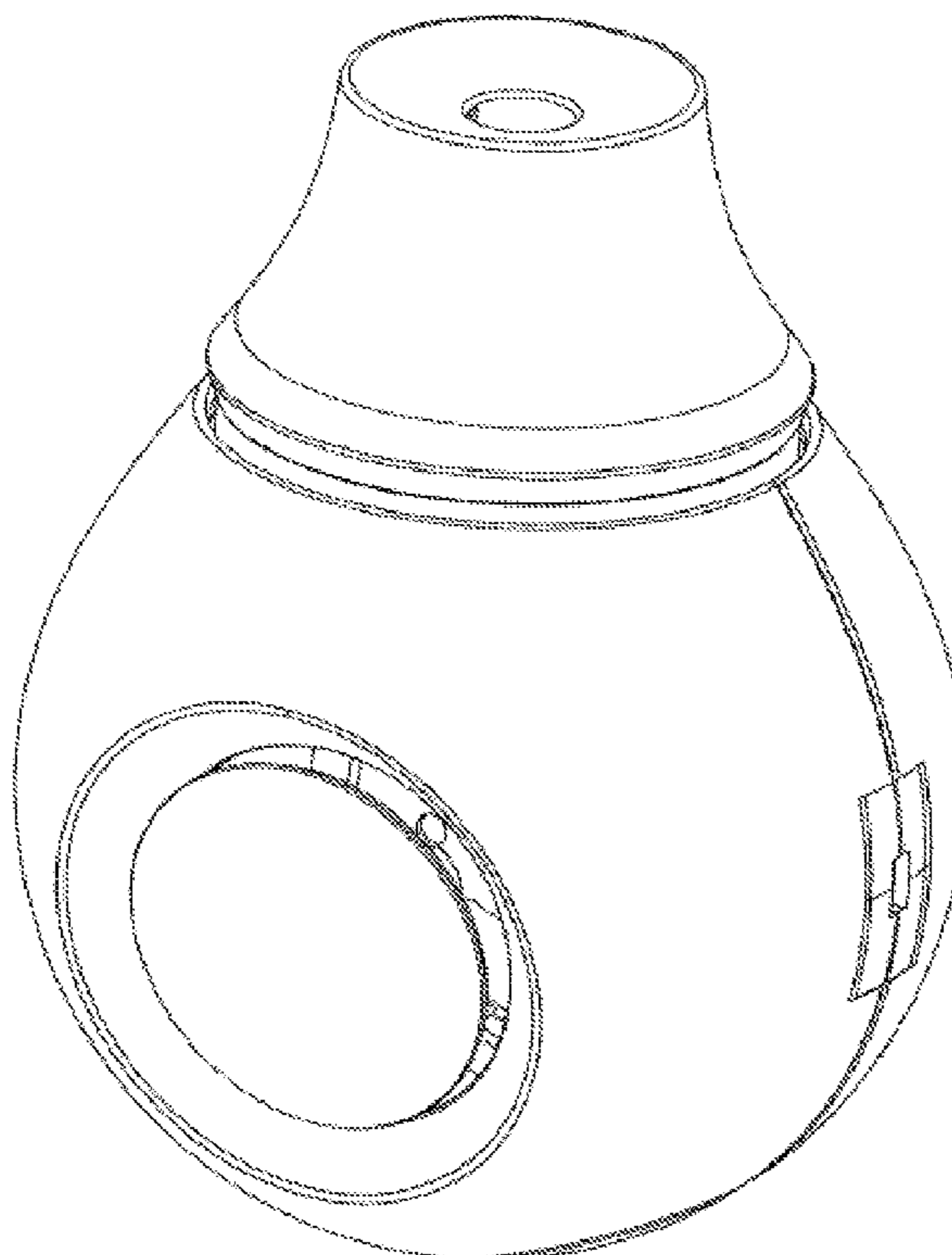
FIG. 4 is a bottom view thereof;

FIG. 5 is a rear elevation thereof;

FIG. 6 is a left side elevation thereof; and,

FIG. 7 is a top view thereof.

1 Claim, 7 Drawing Sheets



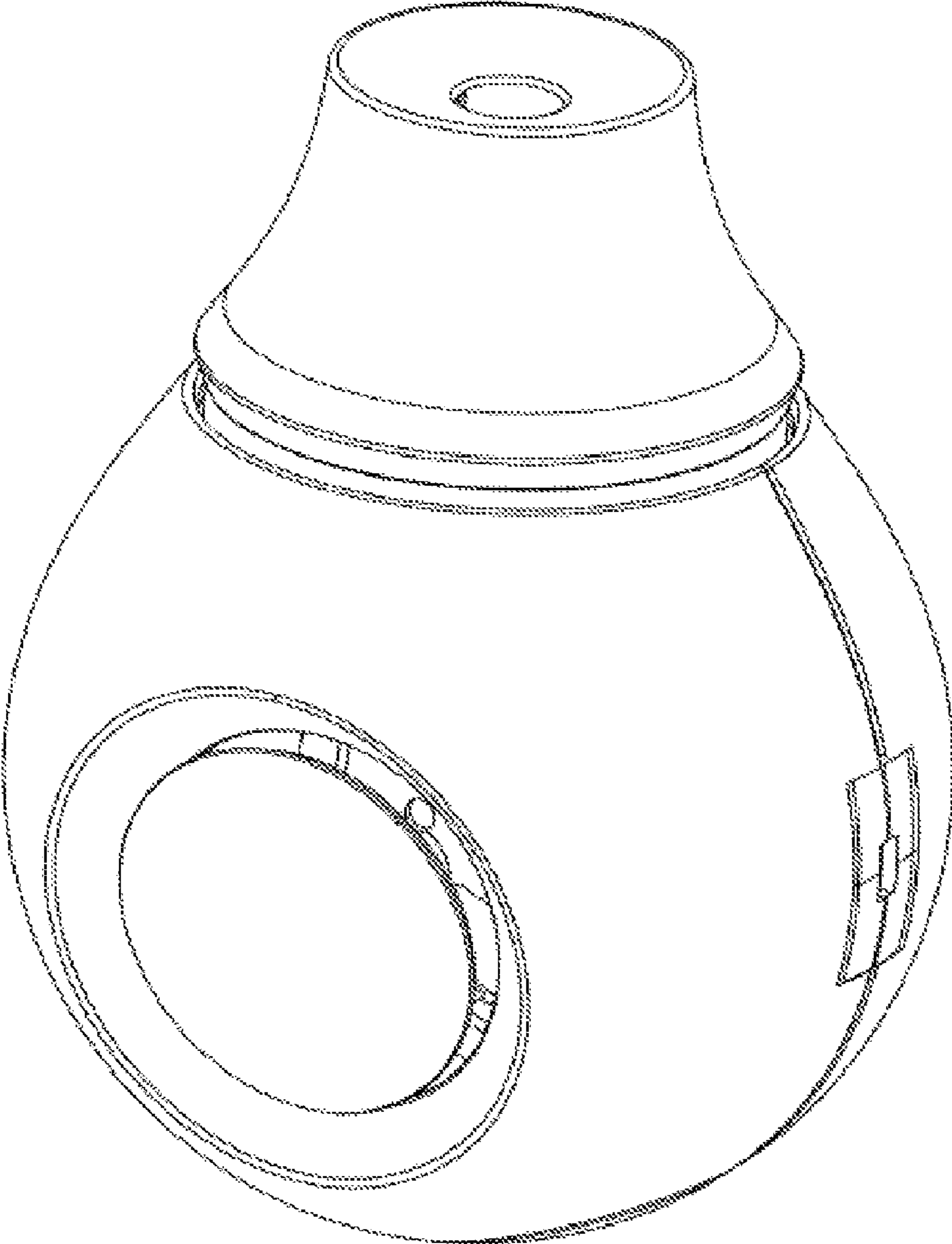


FIG. 1

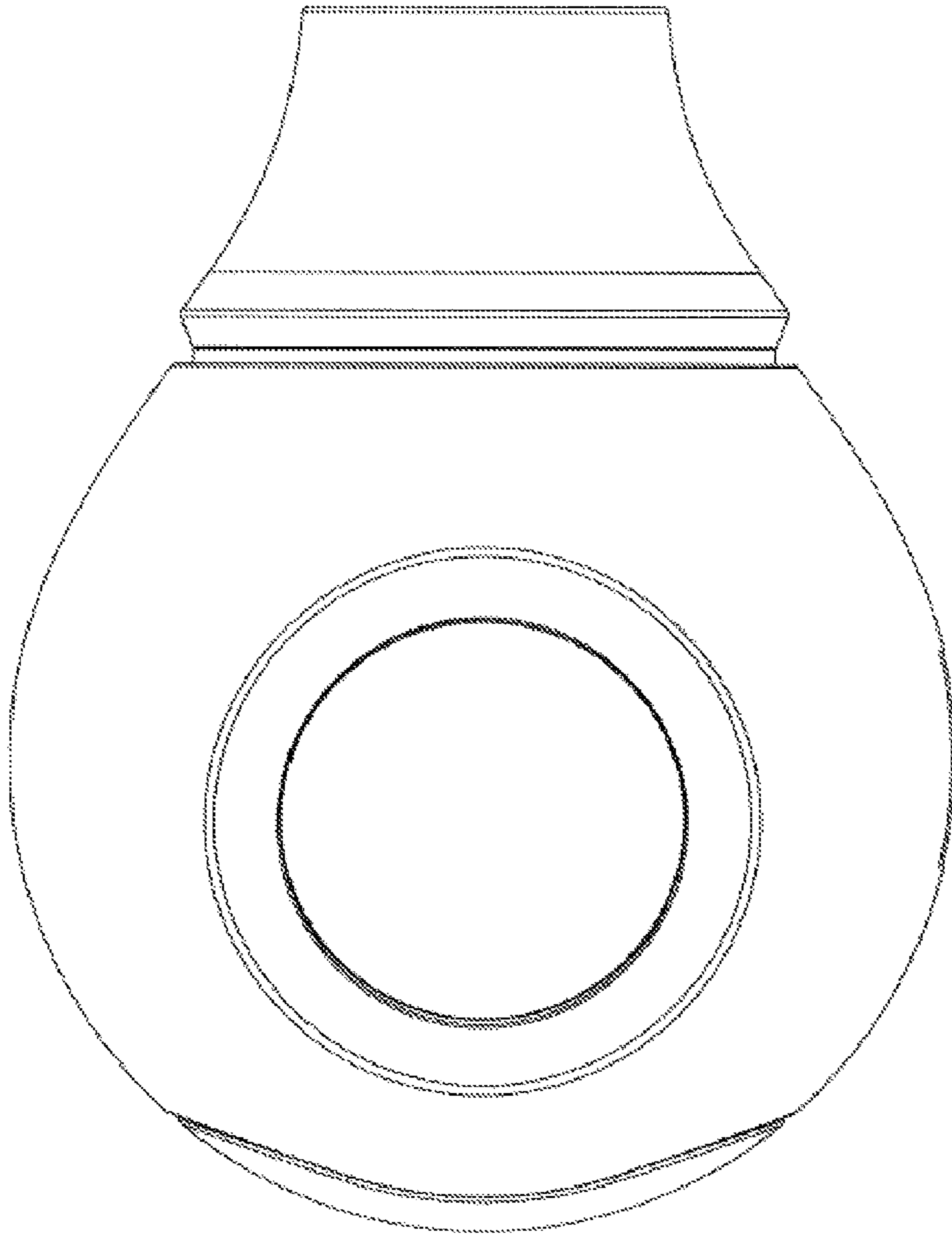


FIG. 2

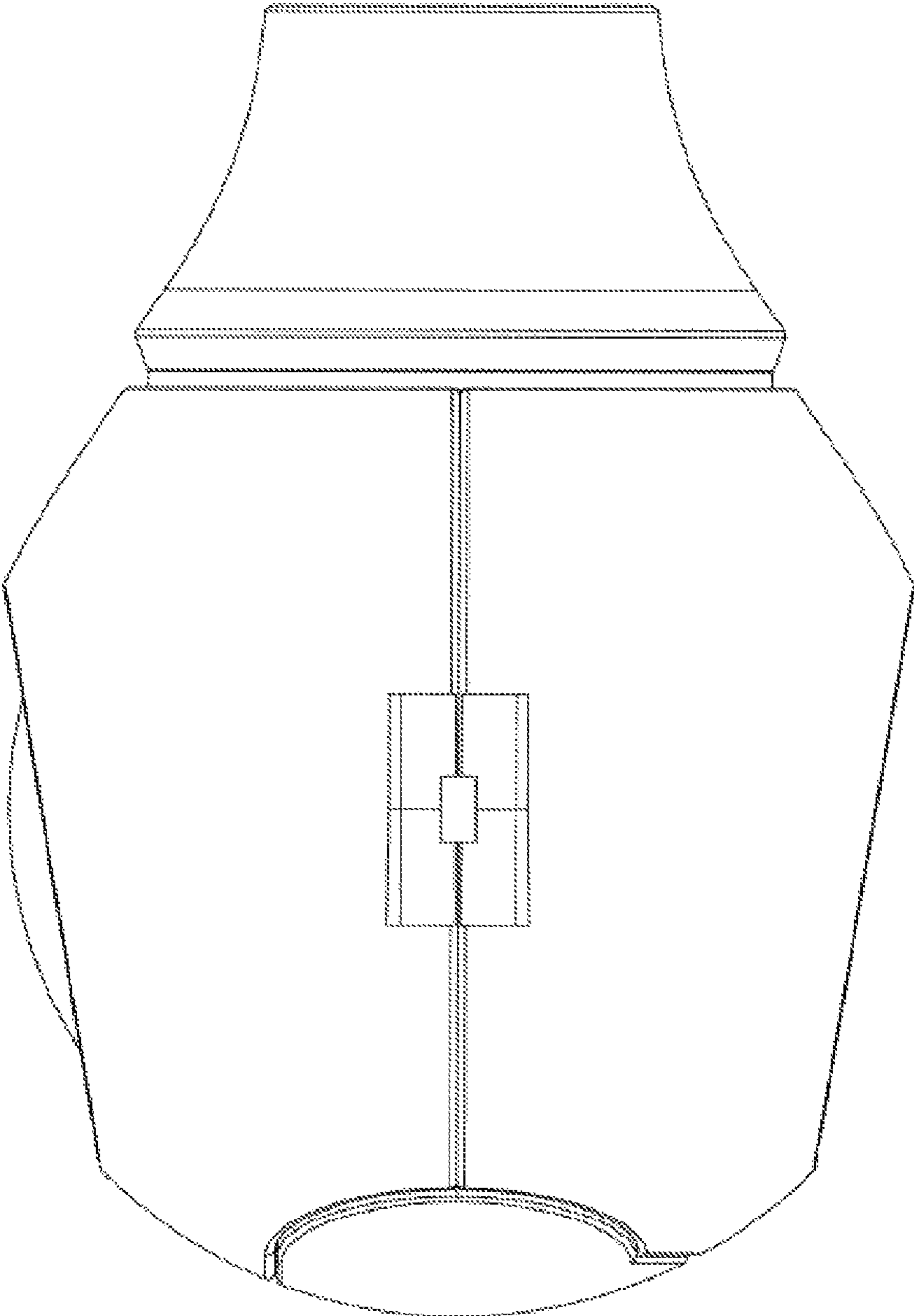


FIG 3

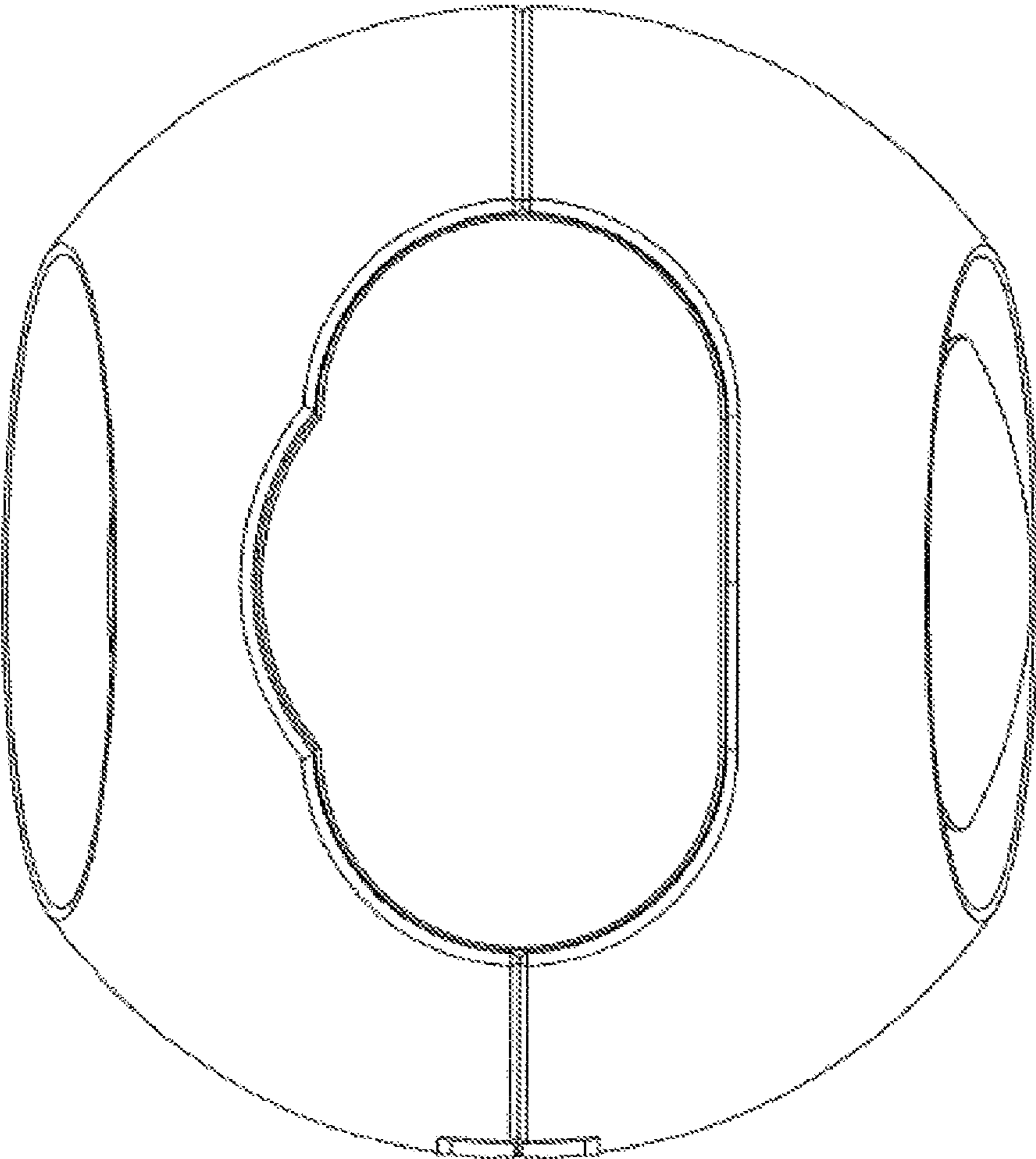


FIG. 4

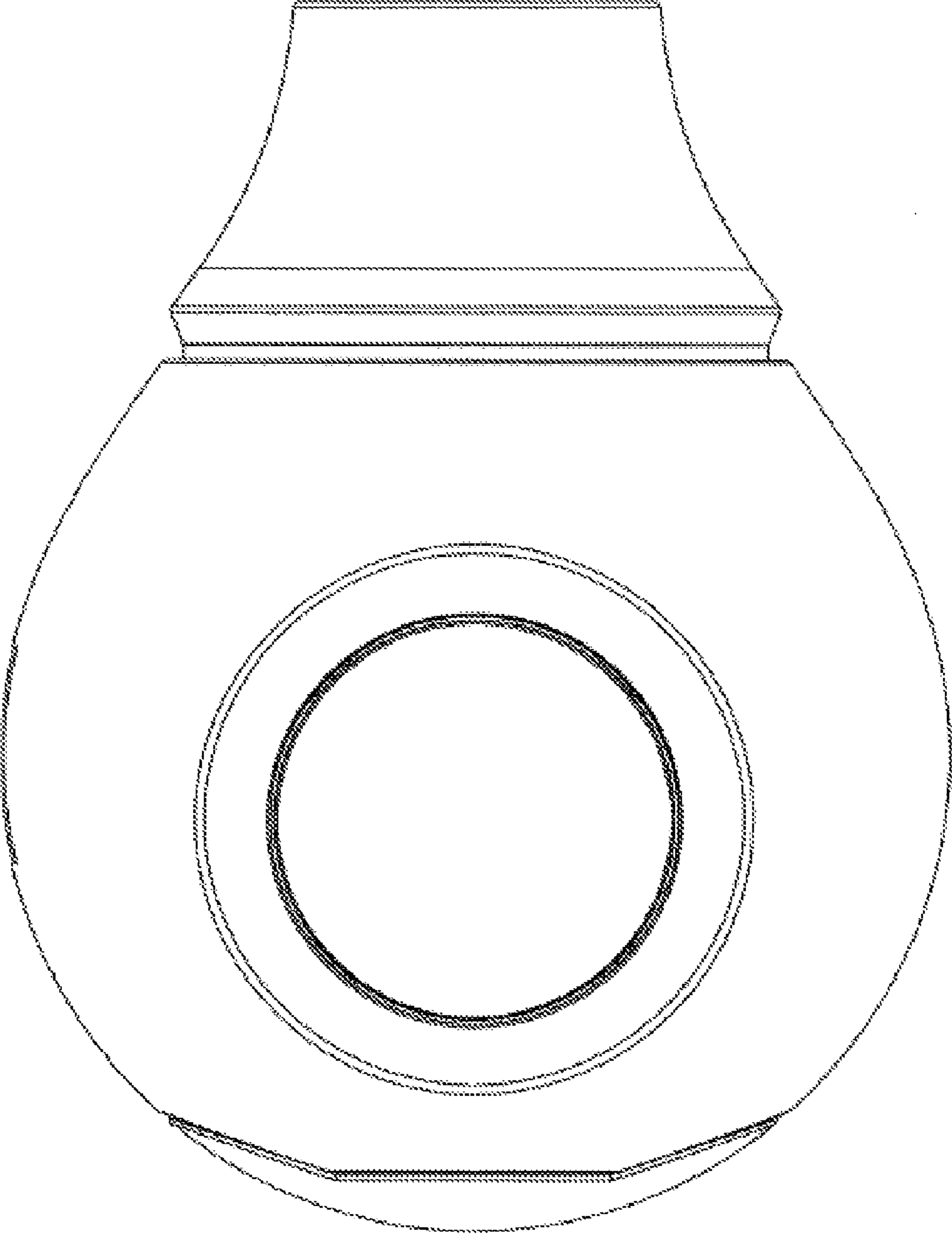


FIG. 5

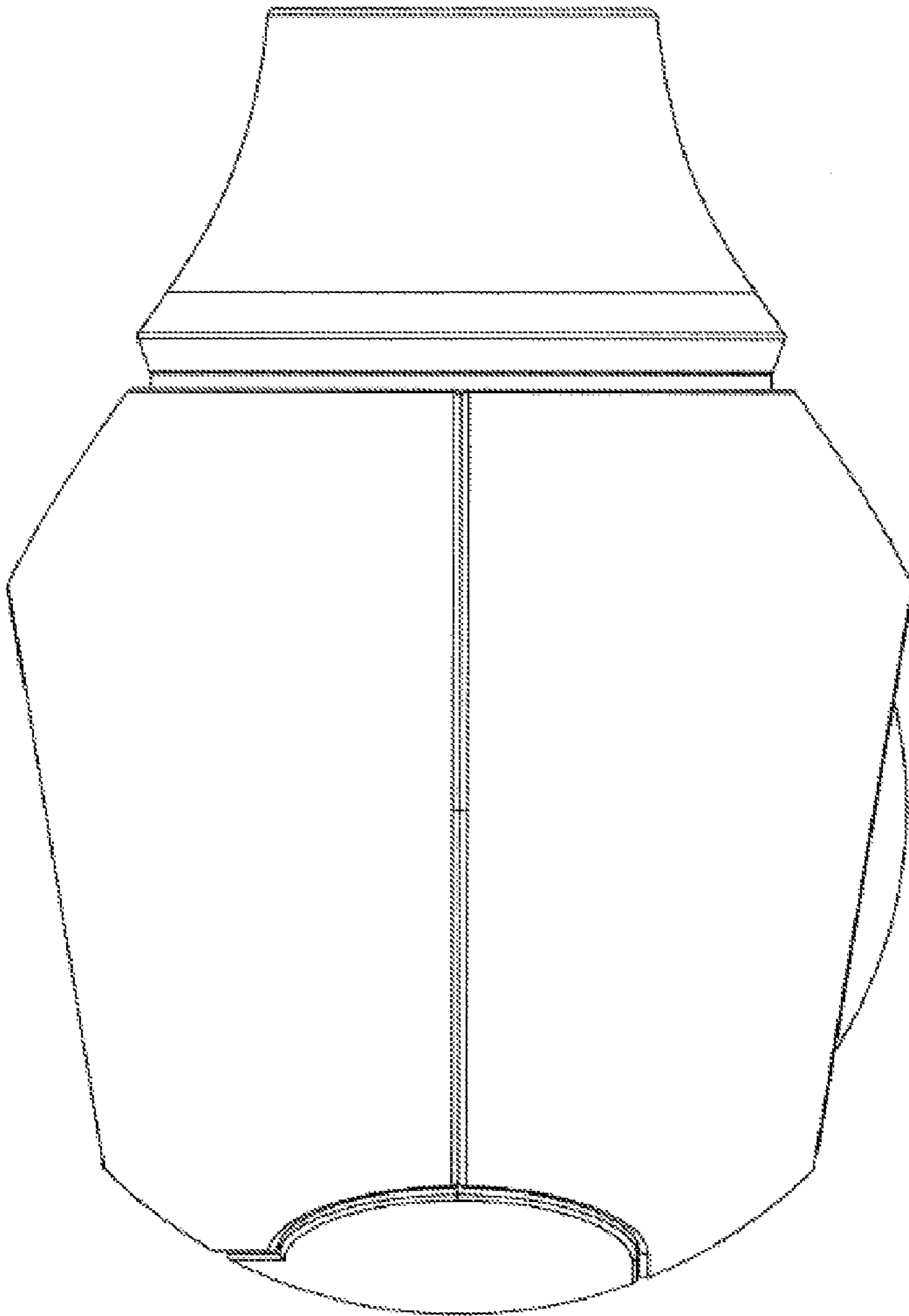


FIG. 6

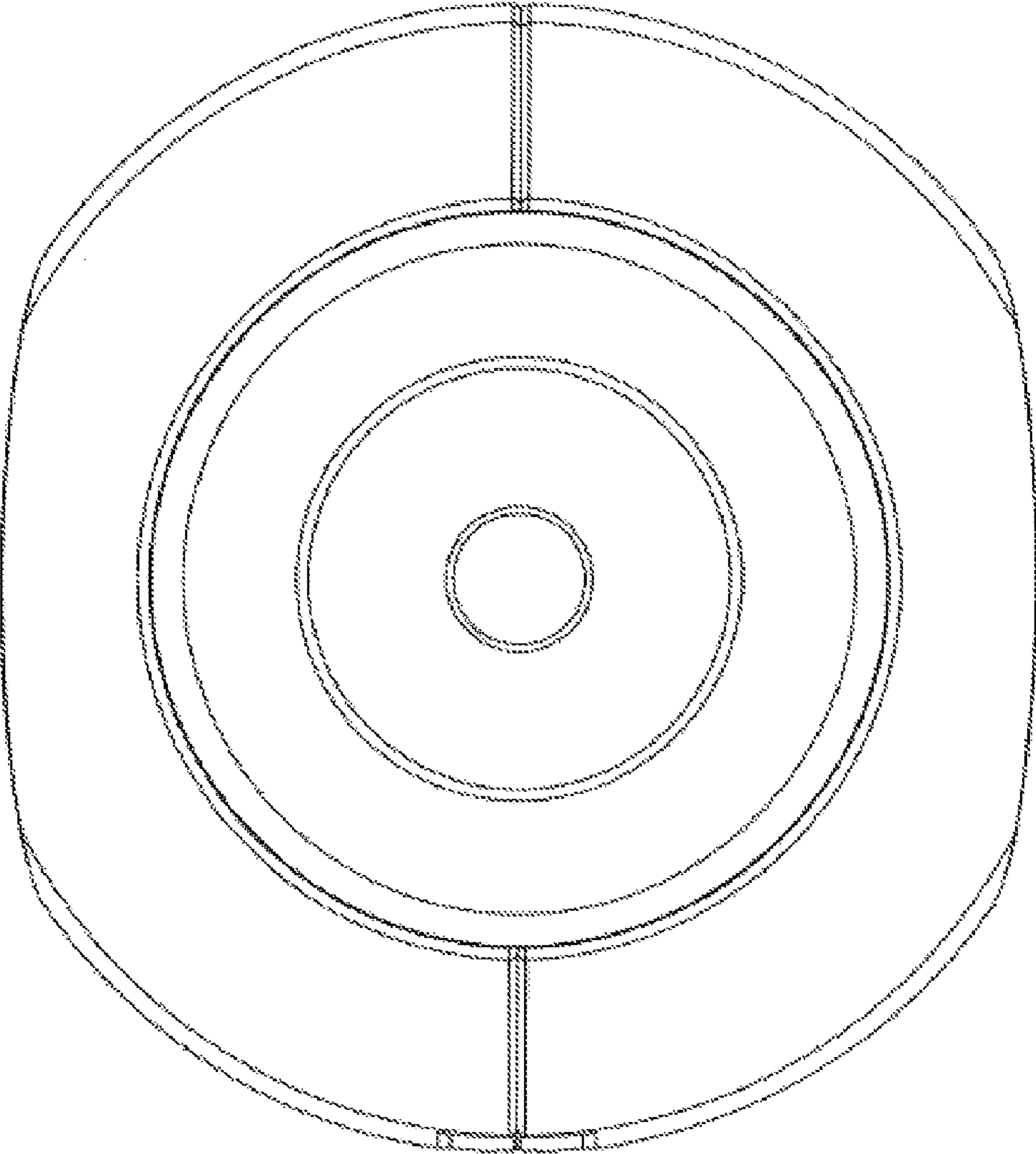


FIG. 7