



US00D632376S

(12) **United States Design Patent**  
**Wu**

(10) **Patent No.:** **US D632,376 S**

(45) **Date of Patent:** **\*\* Feb. 8, 2011**

(54) **AIR FRESHENER DEVICE**

(75) Inventor: **Henry Wu, Shing-Tien (TW)**

(73) Assignee: **Aromate Industries Co., Ltd. (TW)**

(\*\*) Term: **14 Years**

(21) Appl. No.: **29/349,365**

(22) Filed: **Mar. 26, 2010**

(51) **LOC (9) Cl.** ..... **28-99**

(52) **U.S. Cl.** ..... **D23/366**

(58) **Field of Classification Search** ..... D23/355-369;  
D28/5, 6; 261/DIG. 17, DIG. 42, DIG. 65,  
261/DIG. 88, DIG. 89; 392/386, 390, 391,  
392/392, 394, 395, 389, 393; 239/34, 35,  
239/43-45, 53, 56, 57, 60, 326, 42, 50, 55  
See application file for complete search history.

(56) **References Cited**

**U.S. PATENT DOCUMENTS**

D136,877 S *	12/1943	Estes	.....	D23/366
3,807,082 A *	4/1974	Hautmann et al.	.....	43/125
D250,041 S *	10/1978	Schimanski	.....	D23/369
D258,082 S *	1/1981	Schimanski	.....	D23/369
D262,821 S *	1/1982	Poore	.....	D23/369
D357,330 S *	4/1995	Wong et al.	.....	D26/51

D411,881 S *	7/1999	Weick	.....	D23/366
D575,859 S *	8/2008	Scimone	.....	D23/366
D582,027 S *	12/2008	Benito	.....	D23/366
D622,400 S *	8/2010	Freeman et al.	.....	D24/186

\* cited by examiner

*Primary Examiner*—Sandra Snapp

(74) *Attorney, Agent, or Firm*—Ira S. Dorman

(57) **CLAIM**

The ornamental design for an air freshener device, as shown and described.

**DESCRIPTION**

FIG. 1 is a front perspective view of an air freshener device embodying the present invention;

FIG. 2 is a front view of the air freshener device;

FIG. 3 is a rear view of the air freshener device;

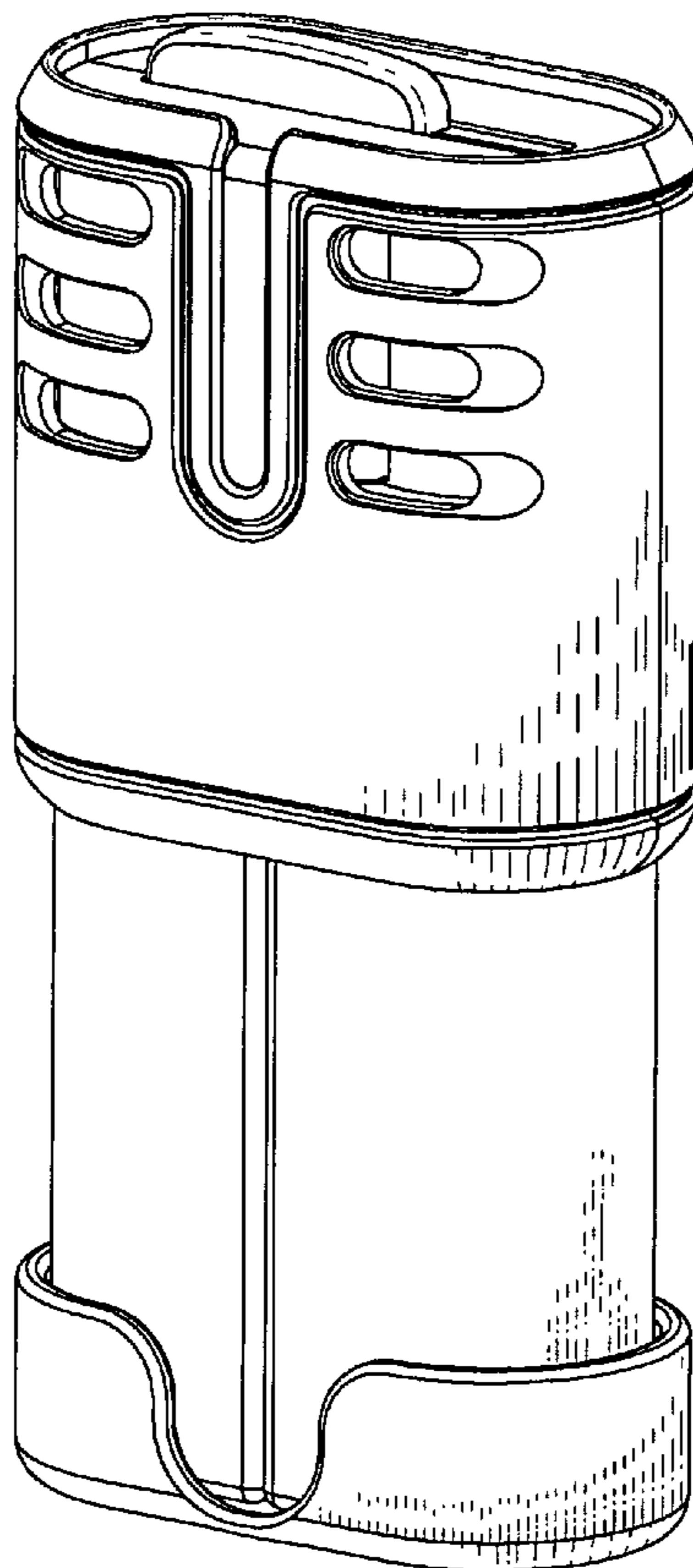
FIG. 4 is a left side elevational view of the air freshener device (in the orientation shown in FIG. 1);

FIG. 5 is a right end view of the air freshener device;

FIG. 6 is a top plan view of the air freshener device; and,

FIG. 7 is a bottom view of the air freshener device.

**1 Claim, 7 Drawing Sheets**



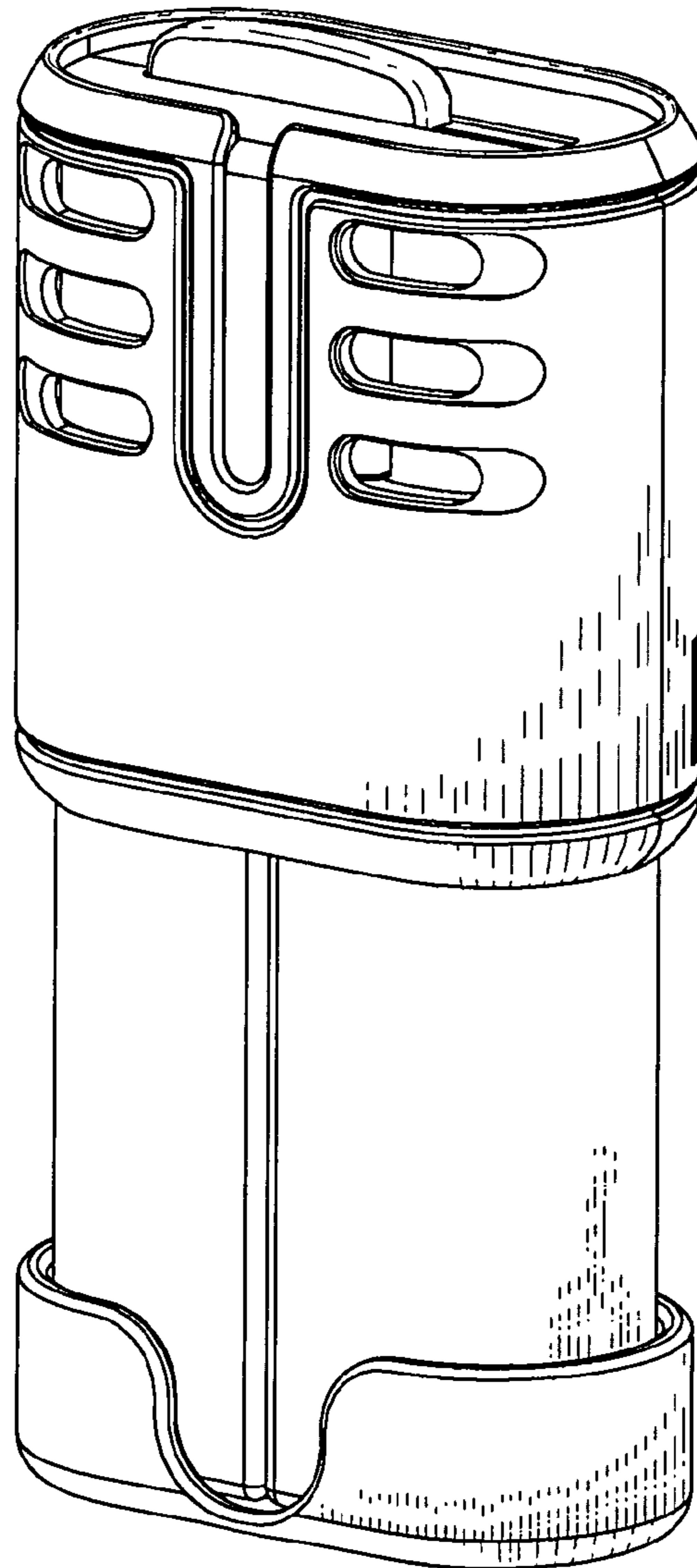


FIG. 1

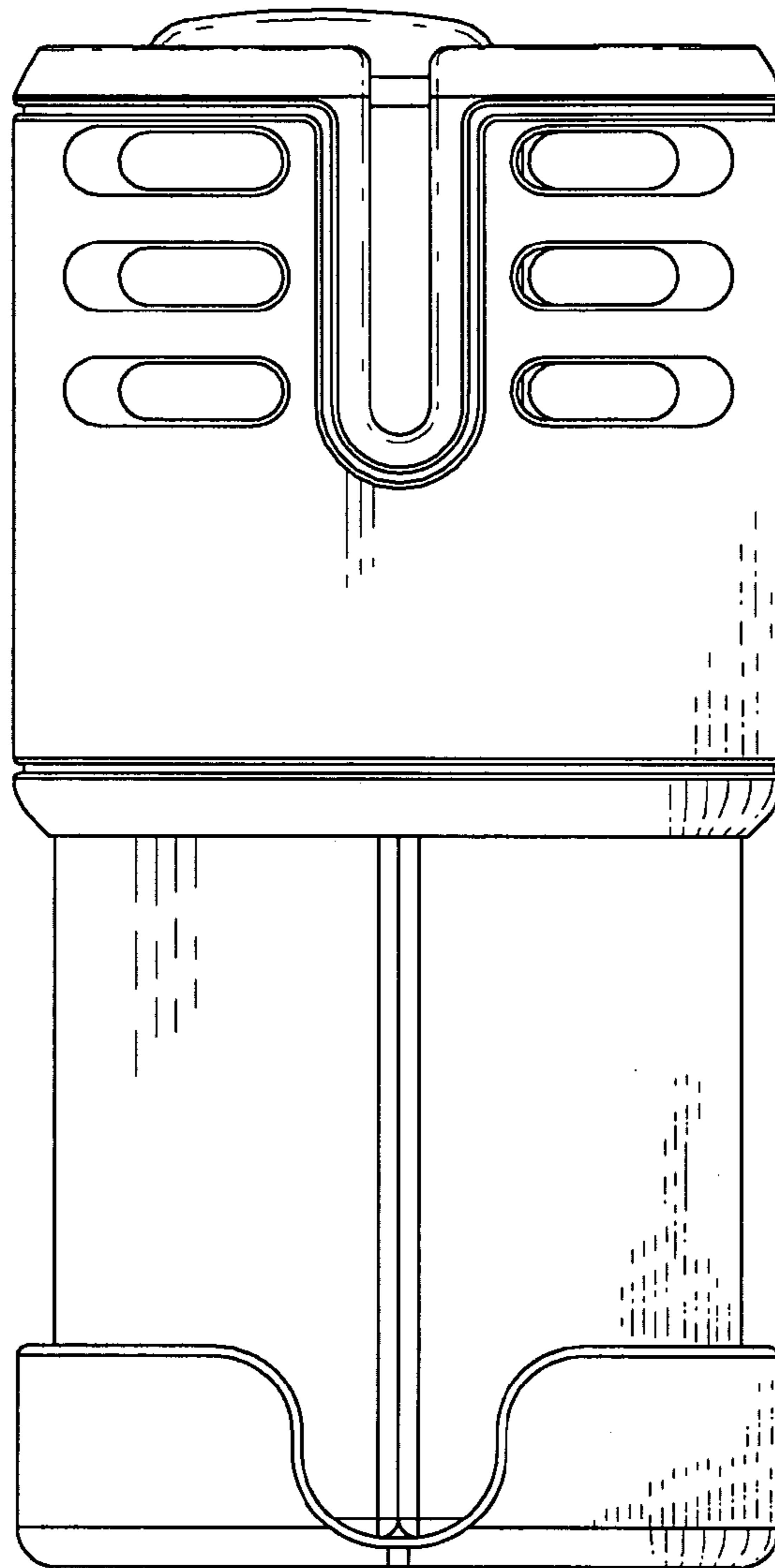


FIG. 2

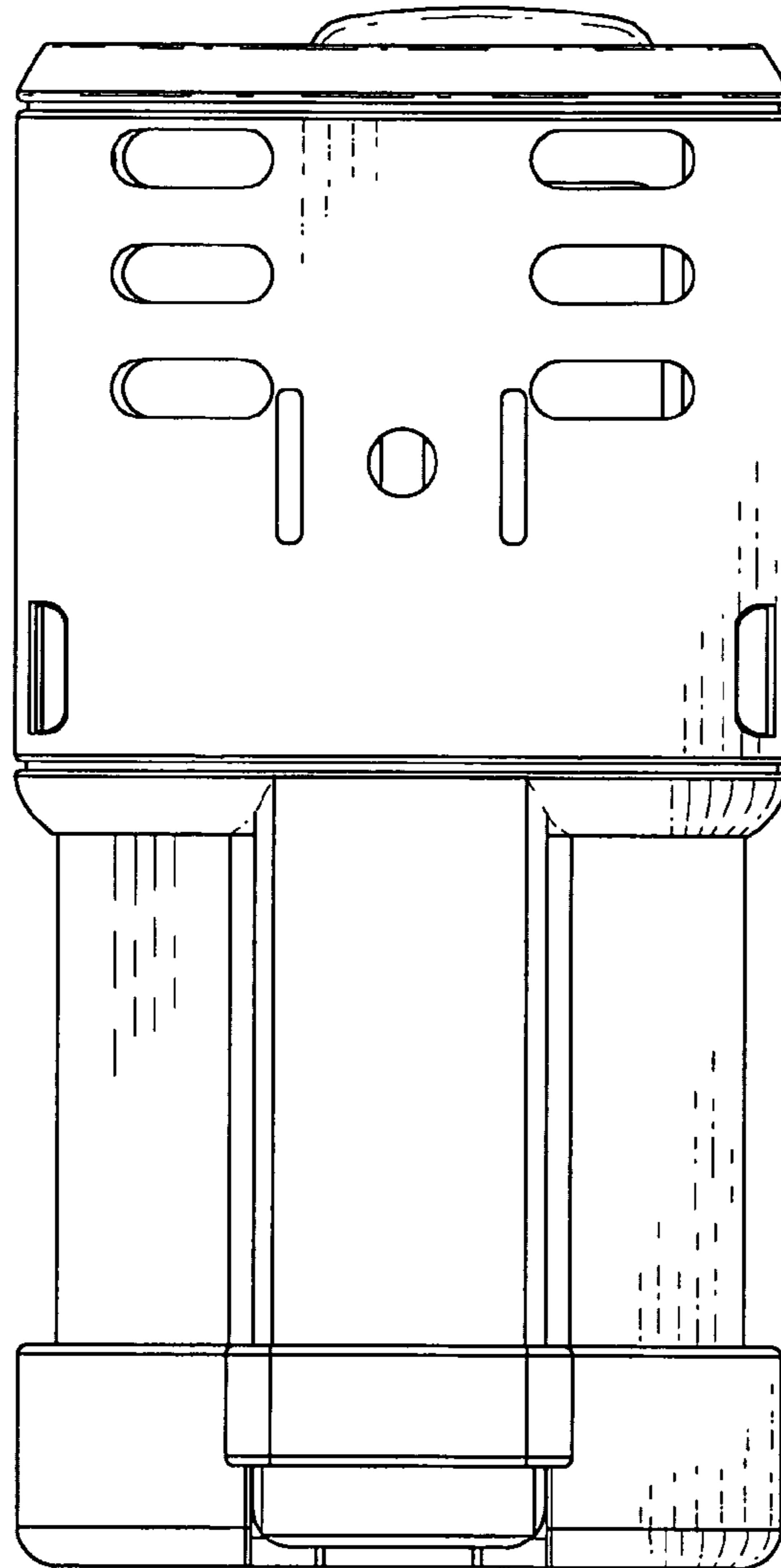


FIG. 3

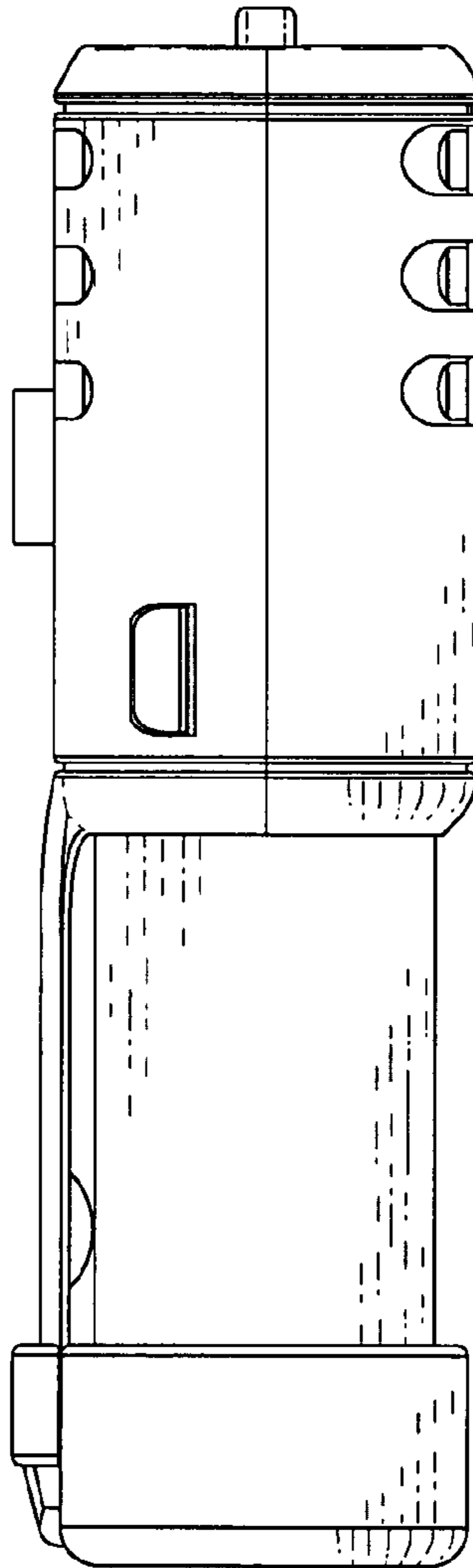


FIG. 4

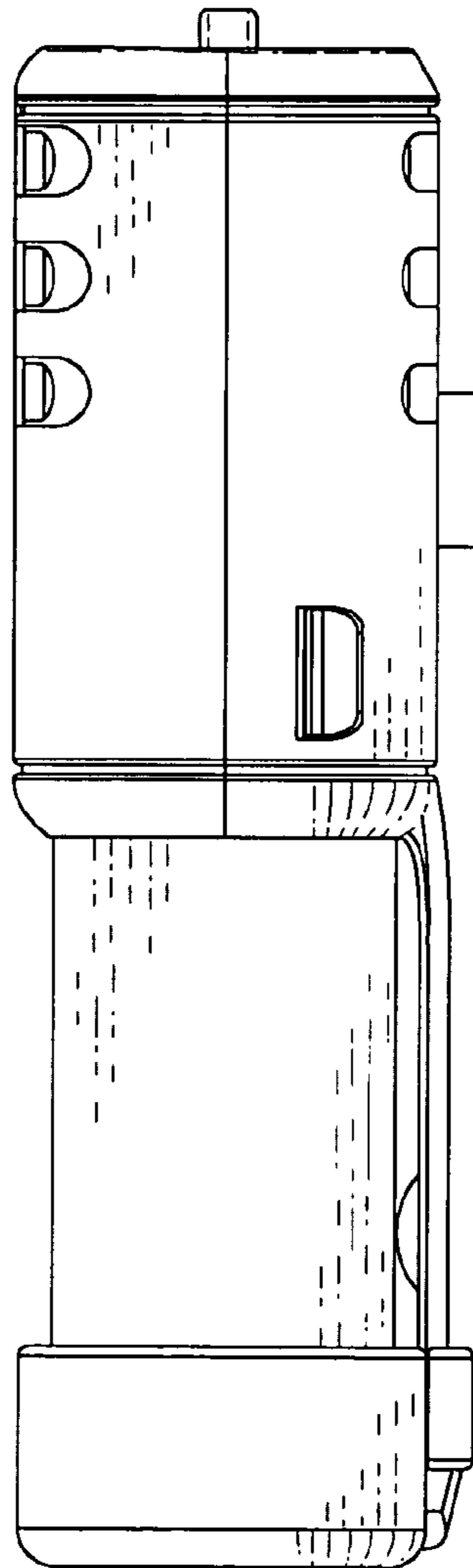


FIG. 5

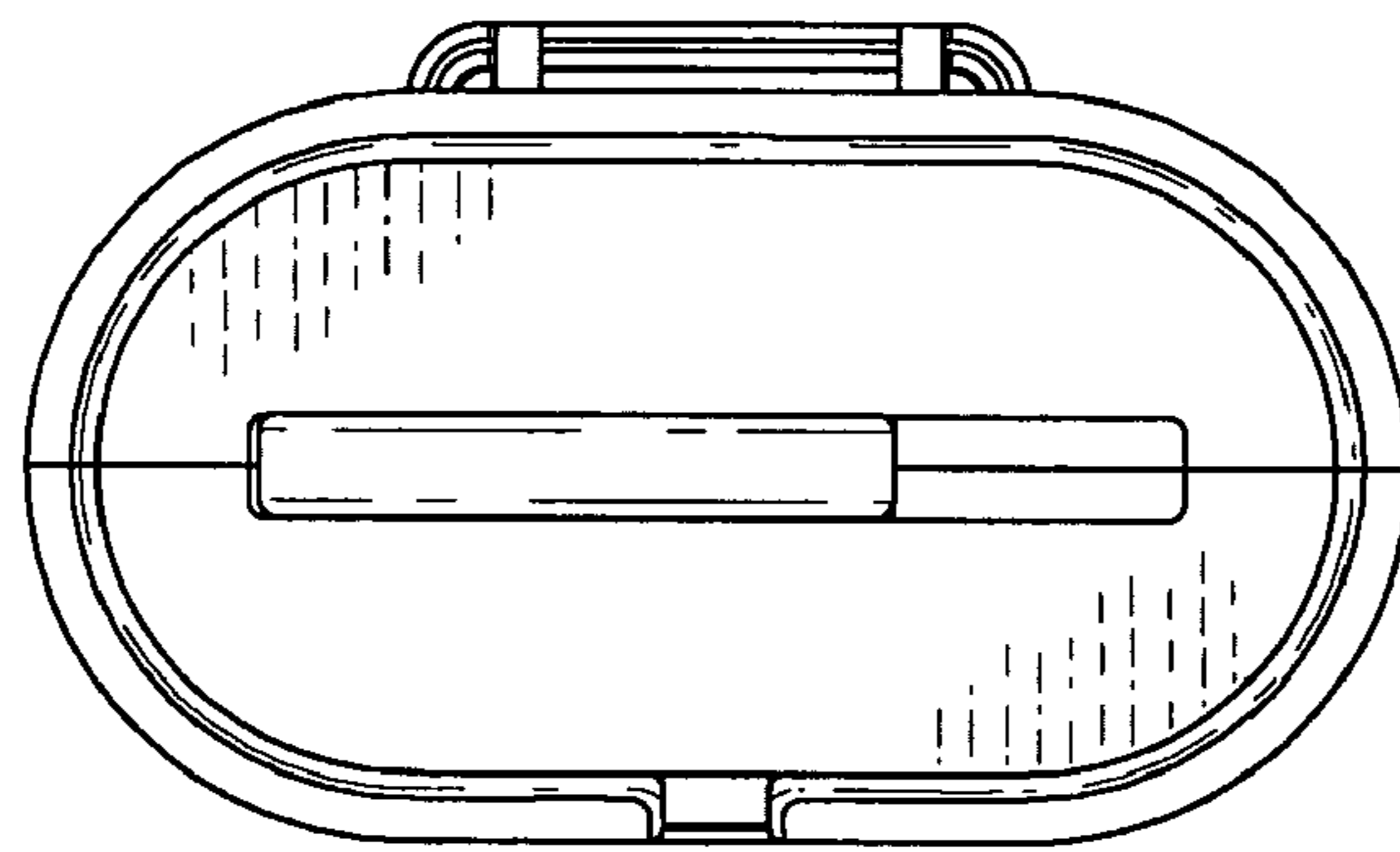


FIG. 6

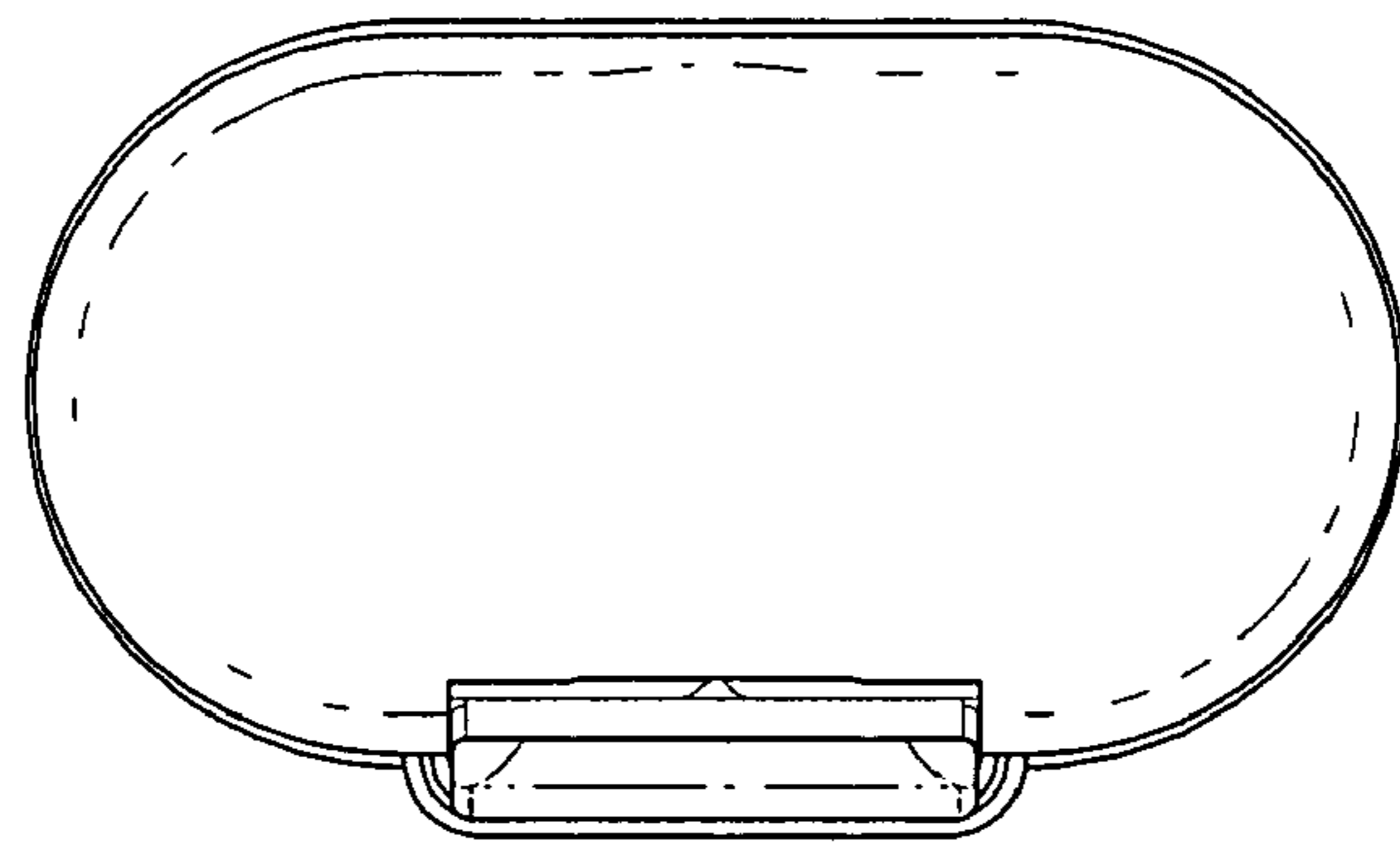


FIG. 7