



US00D632373S

(12) **United States Design Patent**  
**Kehrer et al.**

(10) **Patent No.:** **US D632,373 S**  
(45) **Date of Patent:** **\*\* Feb. 8, 2011**

(54) **SINK**

(75) Inventors: **Joachim Kehrer**, Bretten-Bauerbach (DE); **Katherina Pafralidou**, Heilbronn (DE)

(73) Assignee: **Blanco GmbH + Co KG**, Oberderdingen (DE)

(\*\*) Term: **14 Years**

(21) Appl. No.: **29/334,729**

(22) Filed: **Mar. 31, 2009**

(51) **LOC (9) Cl.** ..... **23-02**

(52) **U.S. Cl.** ..... **D23/293.1**

(58) **Field of Classification Search** ..... D23/290,  
D23/308, 284, 293.1; 4/639, 646, 619  
See application file for complete search history.

(56) **References Cited**

**U.S. PATENT DOCUMENTS**

D547,841 S \* 7/2007 Ziemann ..... D23/293.1  
D549,806 S \* 8/2007 Taylor ..... D23/284

**OTHER PUBLICATIONS**

Julien, Inc., Home Refinements Specification, dated 2006, Front and Rear Covers and pp. 1-49 (53 pages total). In particular, the Vintage Collection of Undermount Sinks shown on pp. 24-26.

Blanco, Manufacturer's Suggested Price List, listing for Blanco Diamond undermount sinks, 2002 front cover, pp. 58-59, and one additional sheet (4 pages total).

Julien Inc., Vintage Collection Undermount Sinks, Undated Literature, pp. 32-36 (5 pages total).

Blanco, Black Diamond Product Literature, Undated, pp. 39-41 (3 pages).

\* cited by examiner

*Primary Examiner*—Robert A Delehanty

(74) *Attorney, Agent, or Firm*—Hanley, Flight & Zimmerman, LLC.

(57) **CLAIM**

The ornamental design for a “sink,” as shown and described.

**DESCRIPTION**

FIG. 1 is a perspective view of the sink from above;

FIG. 2 is a top plan view of the sink;

FIG. 3 is a bottom plan view of the sink;

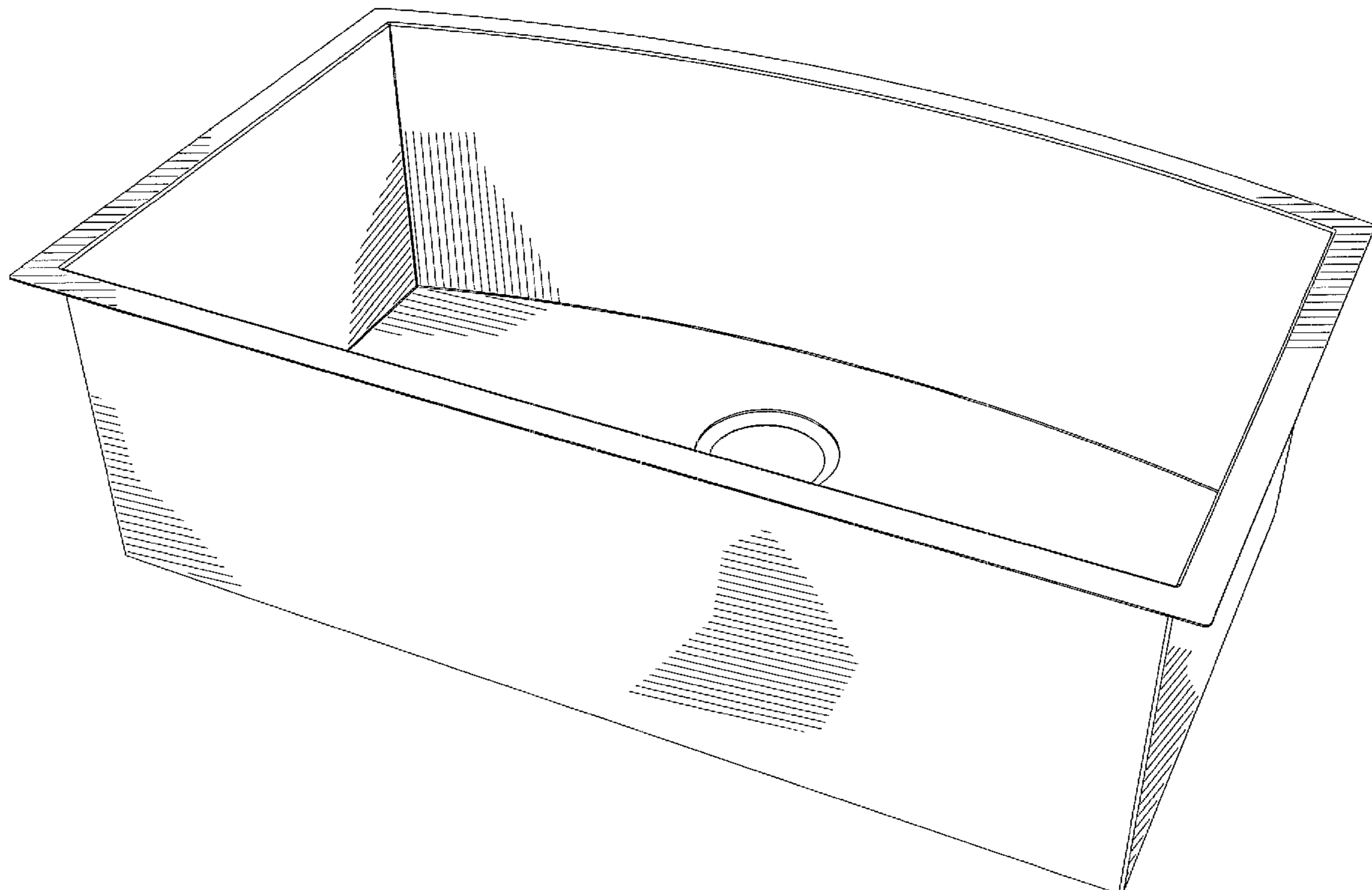
FIG. 4 is a front view of the sink;

FIG. 5 is a rear view of the sink;

FIG. 6 is a side view of the sink from the right side; and,

FIG. 7 is a side view of the sink from the left side.

**1 Claim, 7 Drawing Sheets**



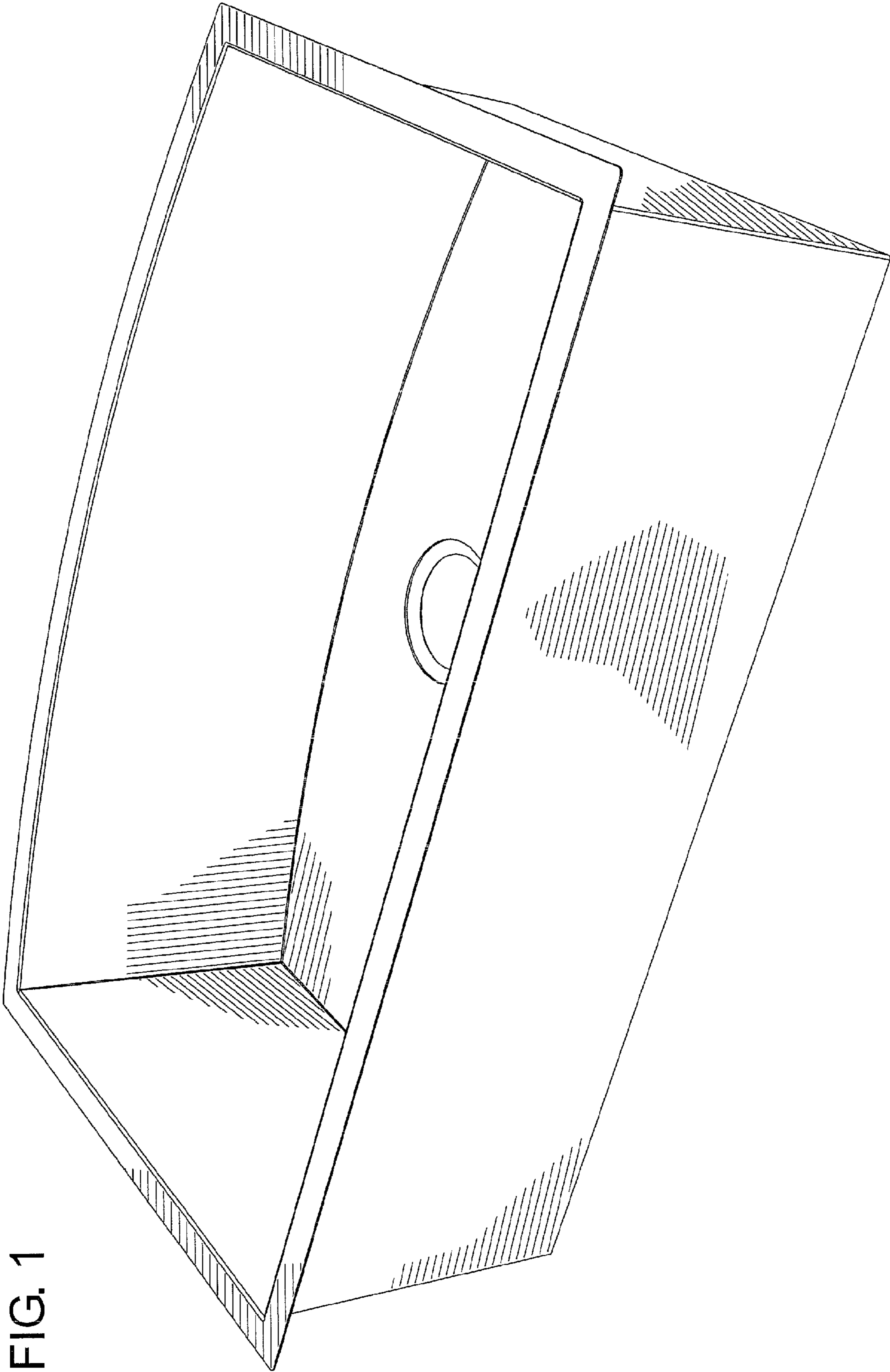


FIG. 1

FIG. 2

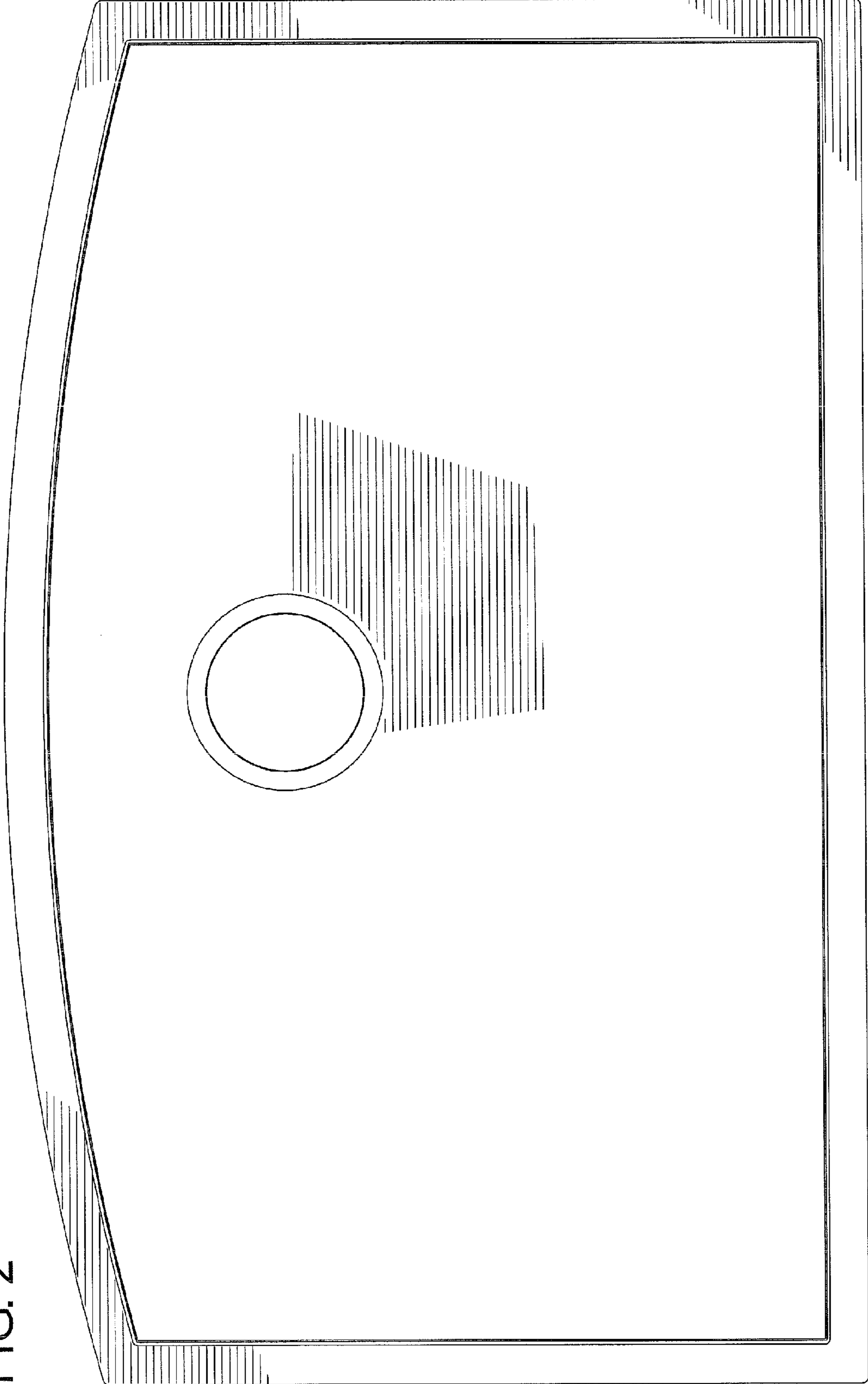


FIG. 3

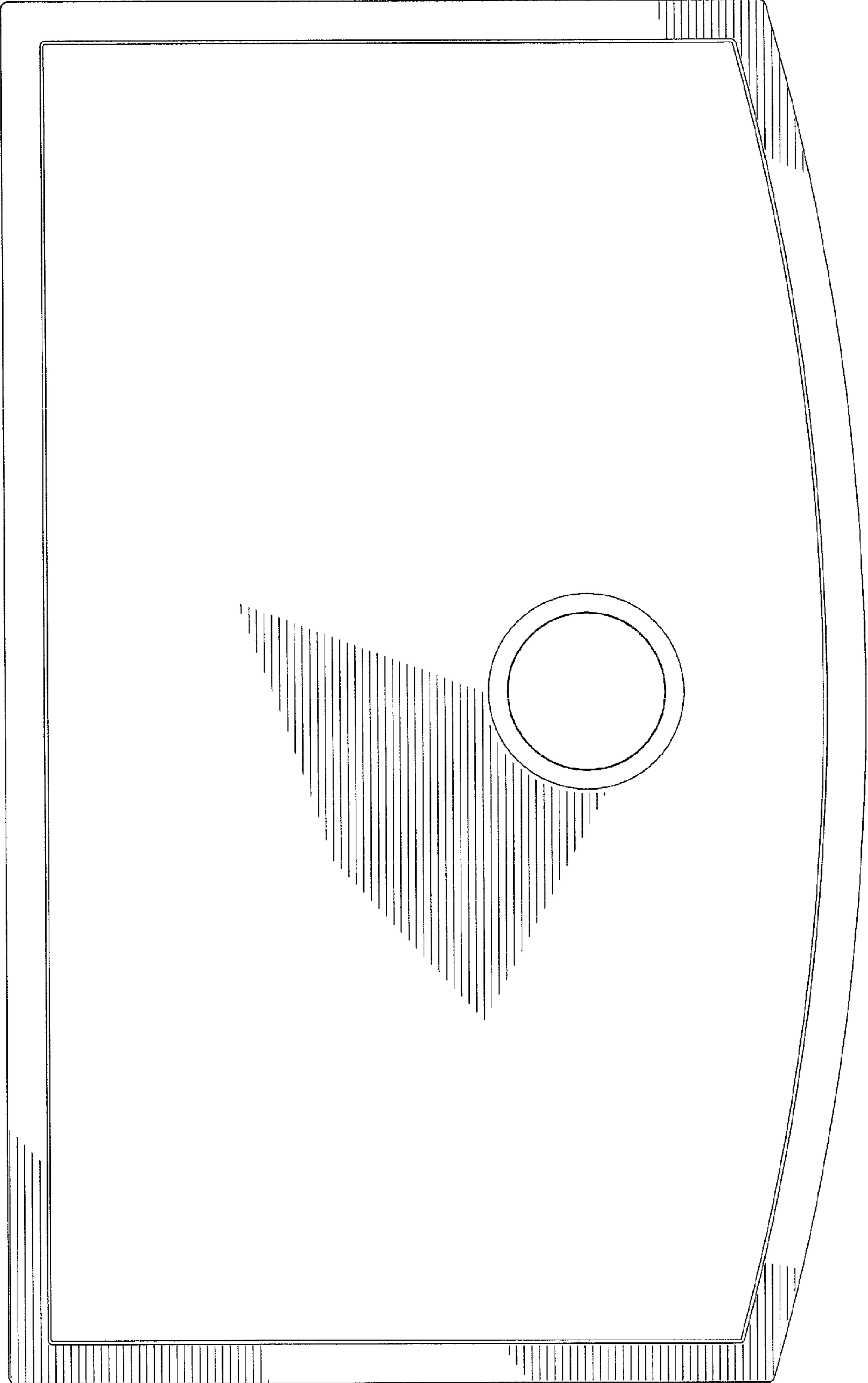


FIG. 4

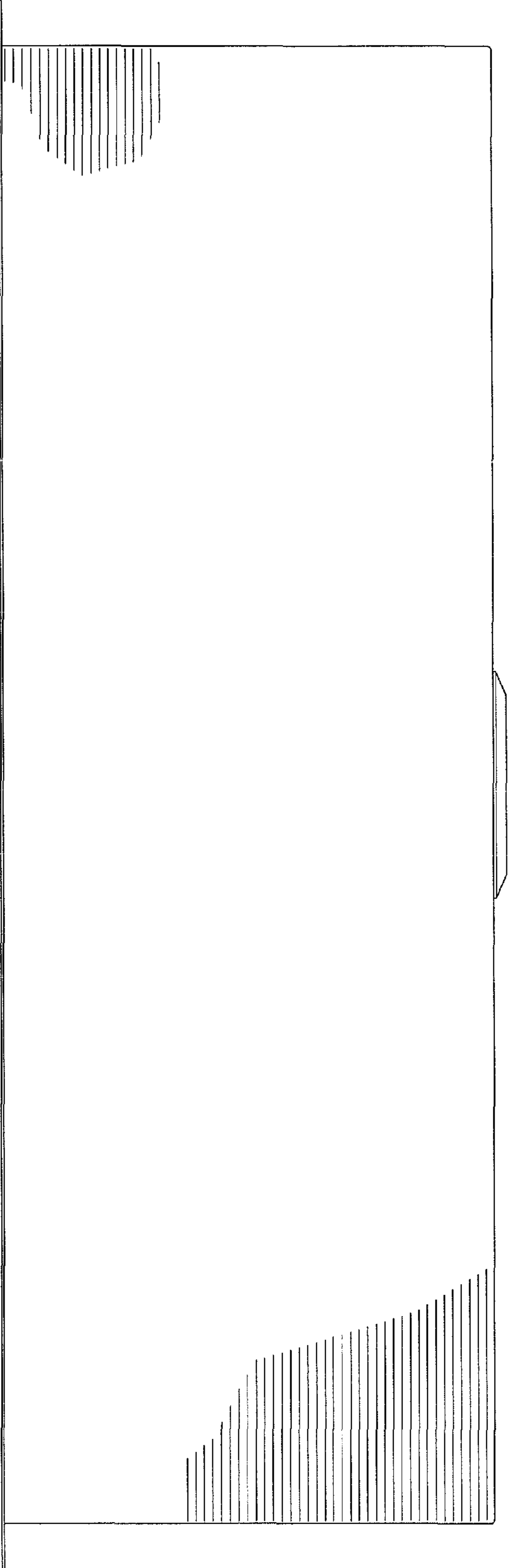
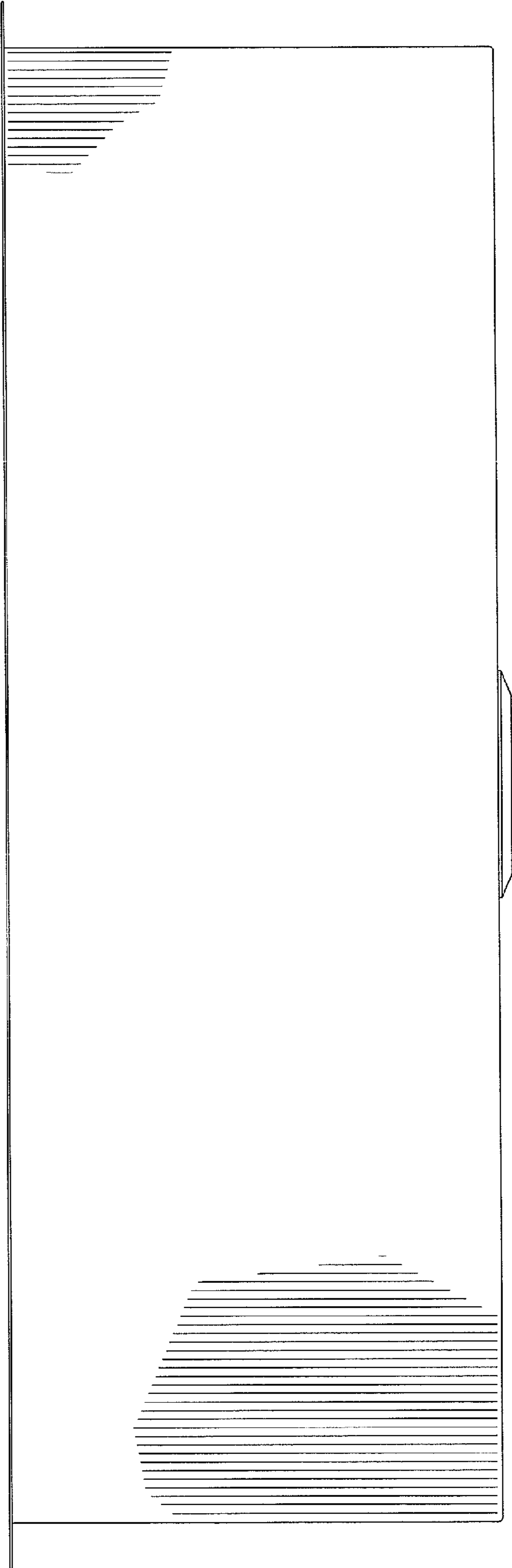


FIG. 5



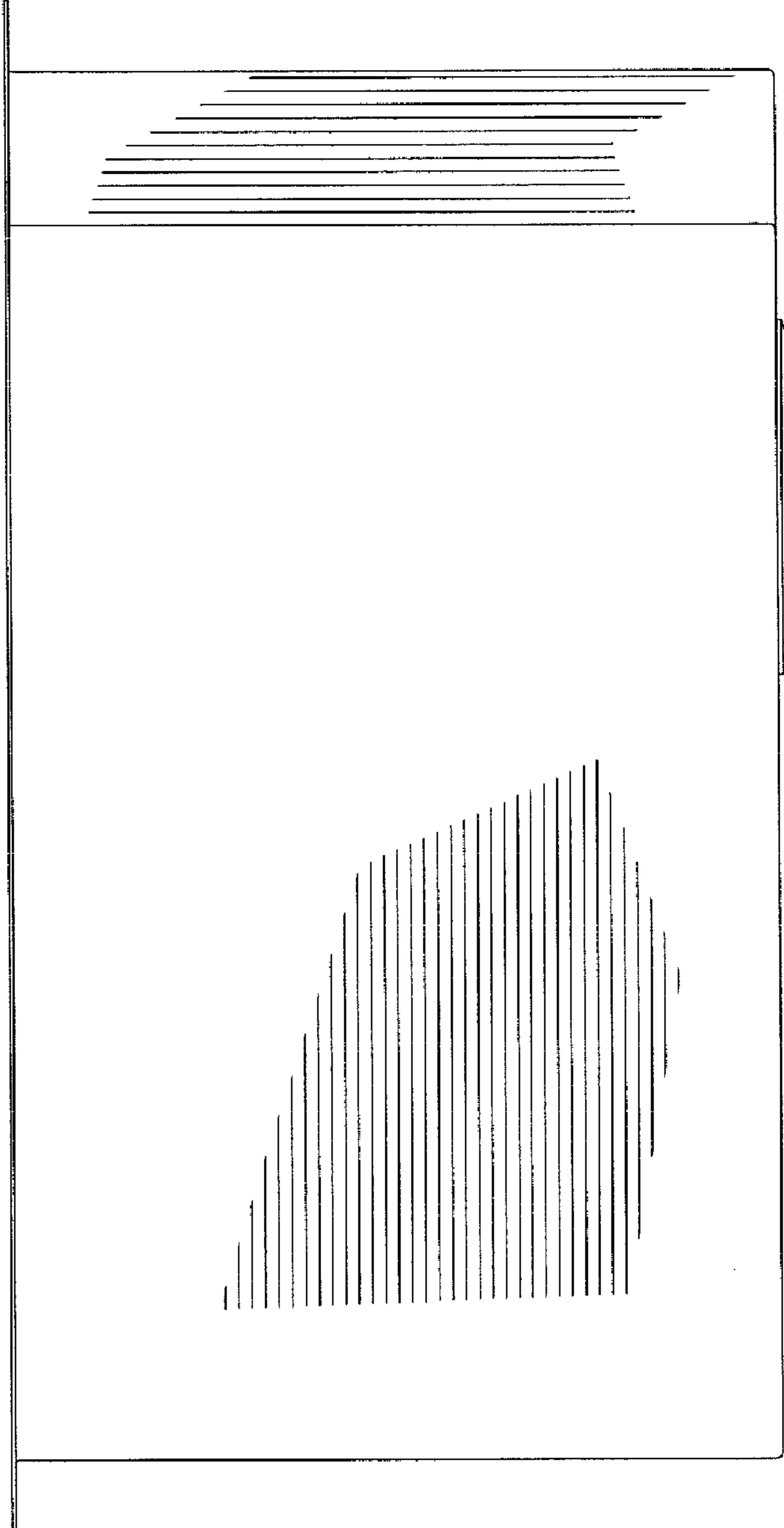


FIG. 6

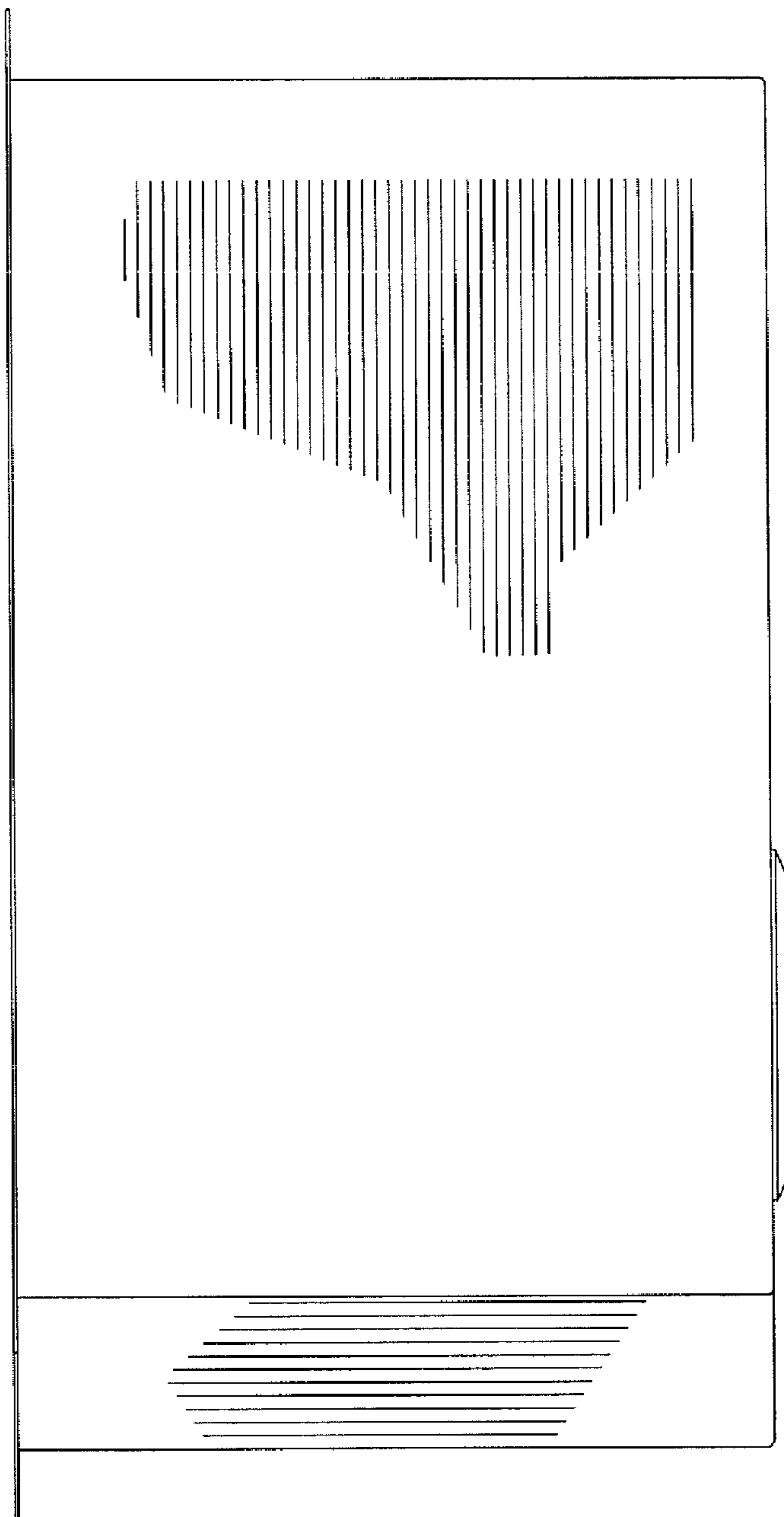


FIG. 7