



US00D632372S

(12) **United States Design Patent**  
**Govoni et al.**

(10) **Patent No.:** **US D632,372 S**  
(45) **Date of Patent:** **\*\* Feb. 8, 2011**

(54) **COUPLER FOR PLUMBING FIXTURES**

(76) Inventors: **Arthur S. Govoni**, P.O. Box 155,  
Islesboro, ME (US) 04848; **Jay**  
**Zlotkowski**, P.O. Box 48, Islesboro, ME  
(US) 04848

(\*\*) **Term:** **14 Years**

(21) **Appl. No.:** **29/363,139**

(22) **Filed:** **Jun. 4, 2010**

**Related U.S. Application Data**

(63) Continuation-in-part of application No. 29/337,820,  
filed on May 29, 2009, now Pat. No. Des. 617,429.

(51) **LOC (9) Cl.** ..... **23-01**

(52) **U.S. Cl.** ..... **D23/262**

(58) **Field of Classification Search** ..... D23/259-265;  
285/11-12, 7, 177, 394-395, 307, 358, 179-183,  
285/423, 356, 303, 337, 1, 53, 404, 112,  
285/367, 373, 915, 148.18, 148.23, 242,  
285/251, 256, 331, 353, 921; 4/321, 323,  
4/286-287, 295; 292/58-59; 222/552, 554,  
222/546, 563

See application file for complete search history.

(56) **References Cited**

**U.S. PATENT DOCUMENTS**

2,862,731 A \* 12/1958 Hedden et al. .... 285/272  
3,650,551 A \* 3/1972 Akers ..... 285/143.1  
5,516,155 A \* 5/1996 Ko ..... 285/12  
5,980,175 A 11/1999 Zimmerman  
5,983,923 A 11/1999 Hobbs et al.  
6,070,916 A 6/2000 Rowley

6,102,445 A \* 8/2000 Thomas ..... 285/139.1  
6,193,282 B1 \* 2/2001 Assenheimer ..... 285/115  
6,460,897 B1 \* 10/2002 Manuli ..... 285/256  
6,464,266 B1 10/2002 O'Neill et al.  
6,536,808 B1 \* 3/2003 Chang ..... 285/256  
7,156,423 B2 1/2007 Marks  
D617,429 S \* 6/2010 Govoni et al. .... D23/262  
2007/0216158 A1 \* 9/2007 Kertesz et al. .... 285/256  
2010/0163131 A1 \* 7/2010 Fehr et al. .... 138/89

\* cited by examiner

*Primary Examiner*—T. Chase Nelson  
*Assistant Examiner*—Eric L Goodman  
(74) *Attorney, Agent, or Firm*—Anthony D. Pellegrini, Esq.

(57) **CLAIM**

The ornamental design for a coupler for plumbing fixtures, as shown and described.

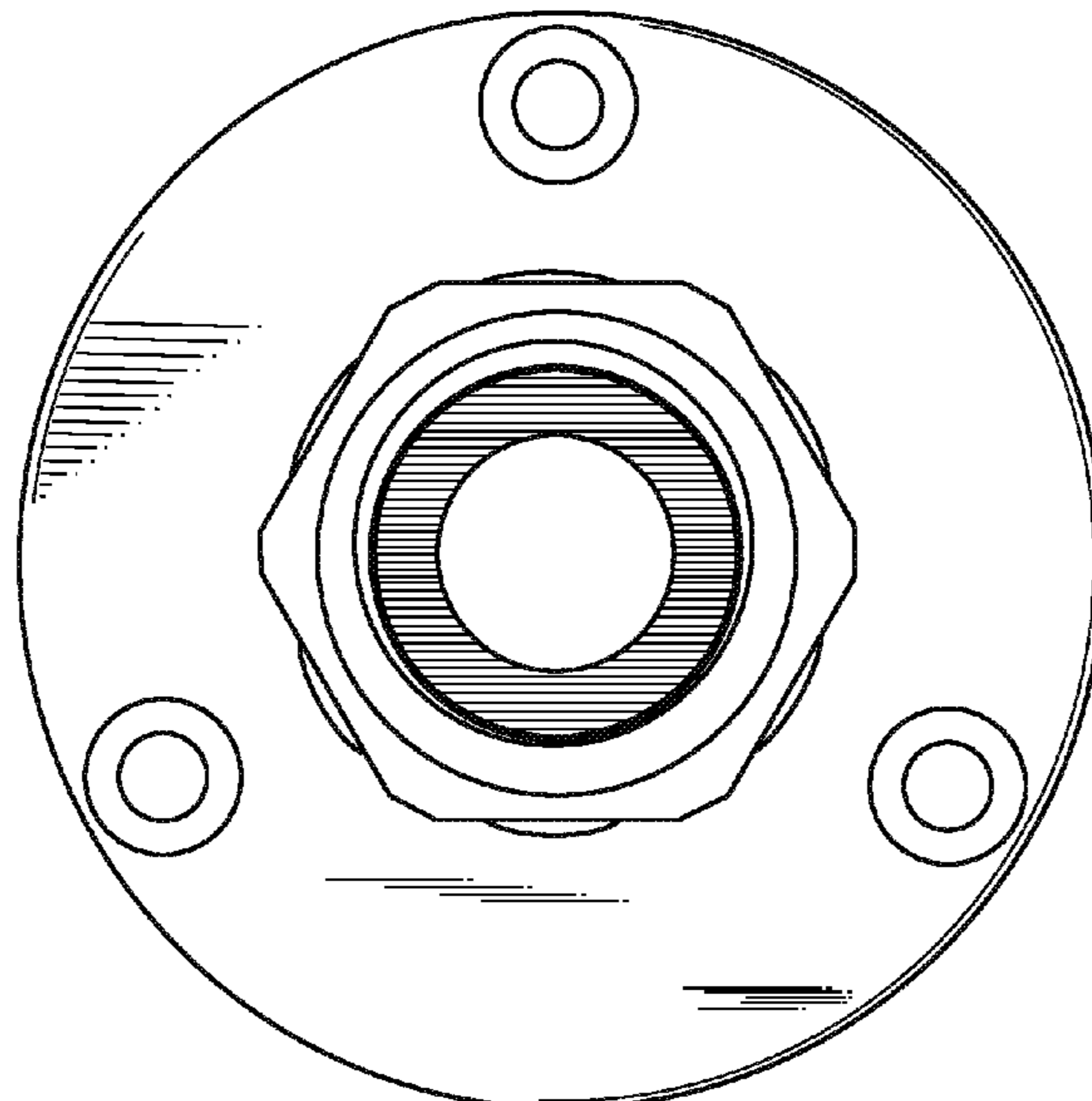
**DESCRIPTION**

FIG. 1 is a plan top view of a coupler for plumbing fixtures.  
FIG. 2 is a plan side view of a coupler for plumbing fixtures.  
FIG. 3 is a perspective bottom view of a coupler for plumbing fixtures; and,

FIG. 4 is a perspective top view of a coupler for plumbing fixtures.

The present invention is an ornamental design for a coupler for plumbing fixtures designed to connect polyethylene tubing of said plumbing fixtures with copper tubing while presenting a flush interface with roughed-in walls or flooring, thereby making plumbing rough-in faster and easier to accomplish.

**1 Claim, 4 Drawing Sheets**



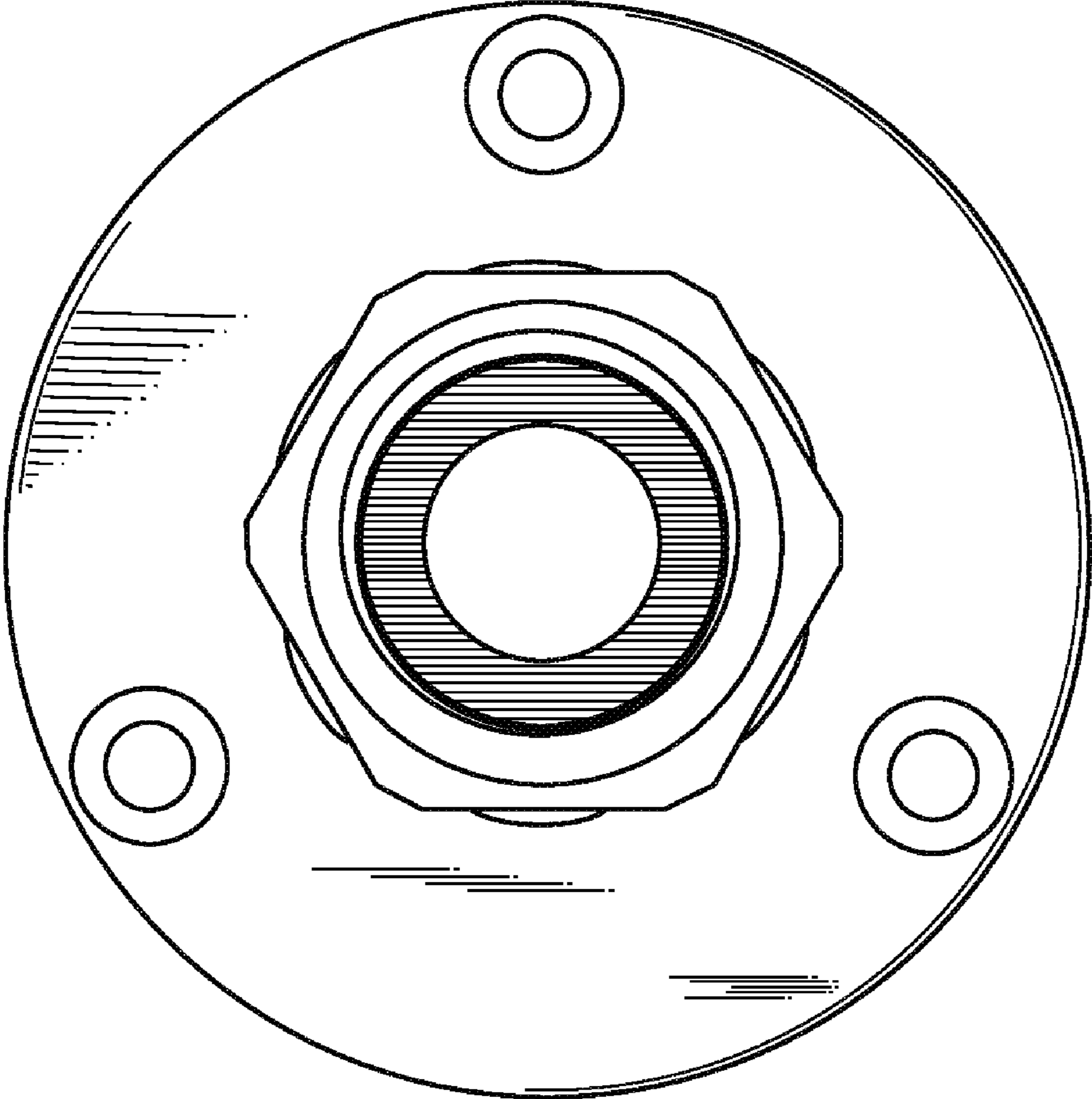


Fig. 1

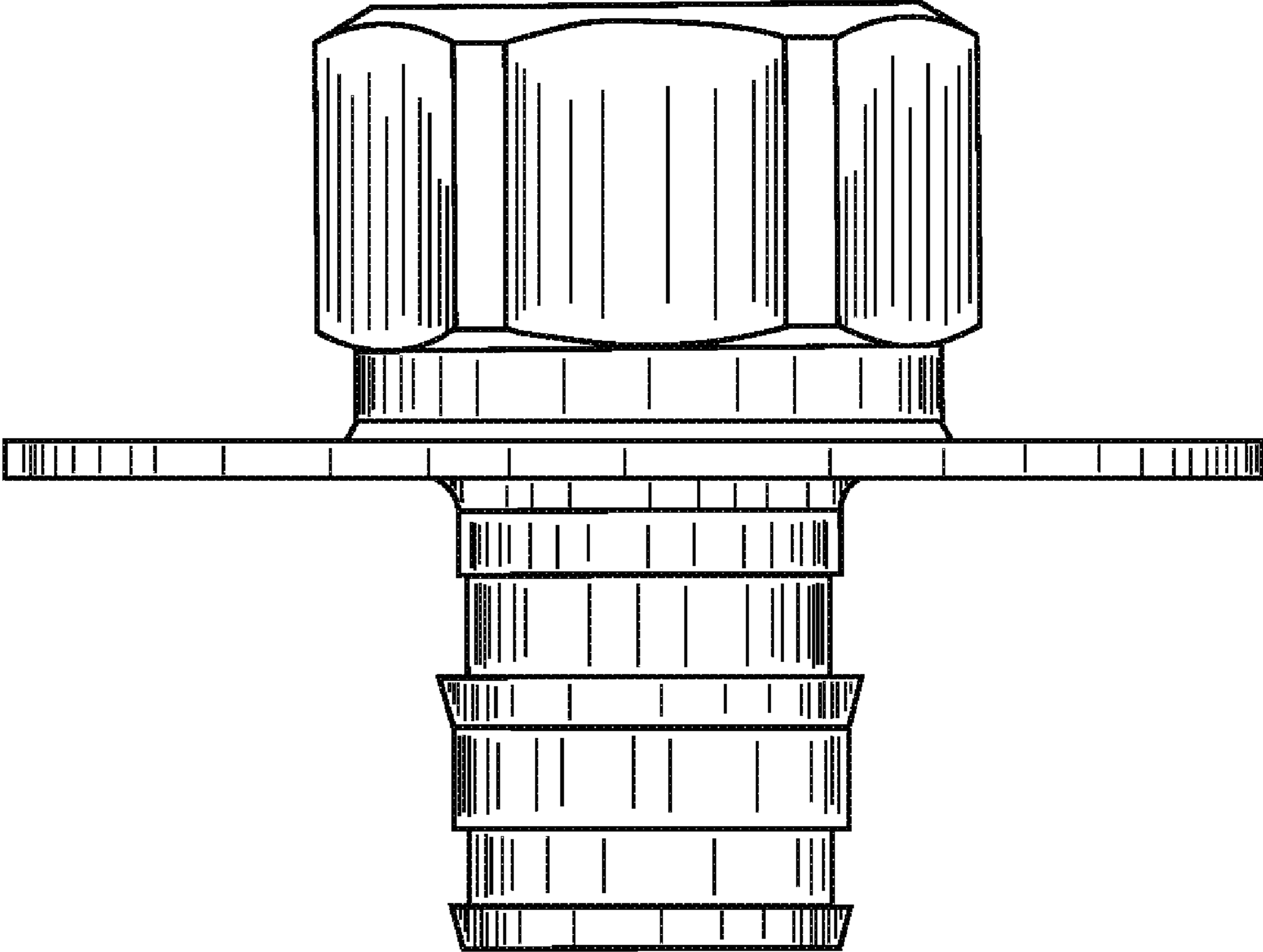


Fig. 2

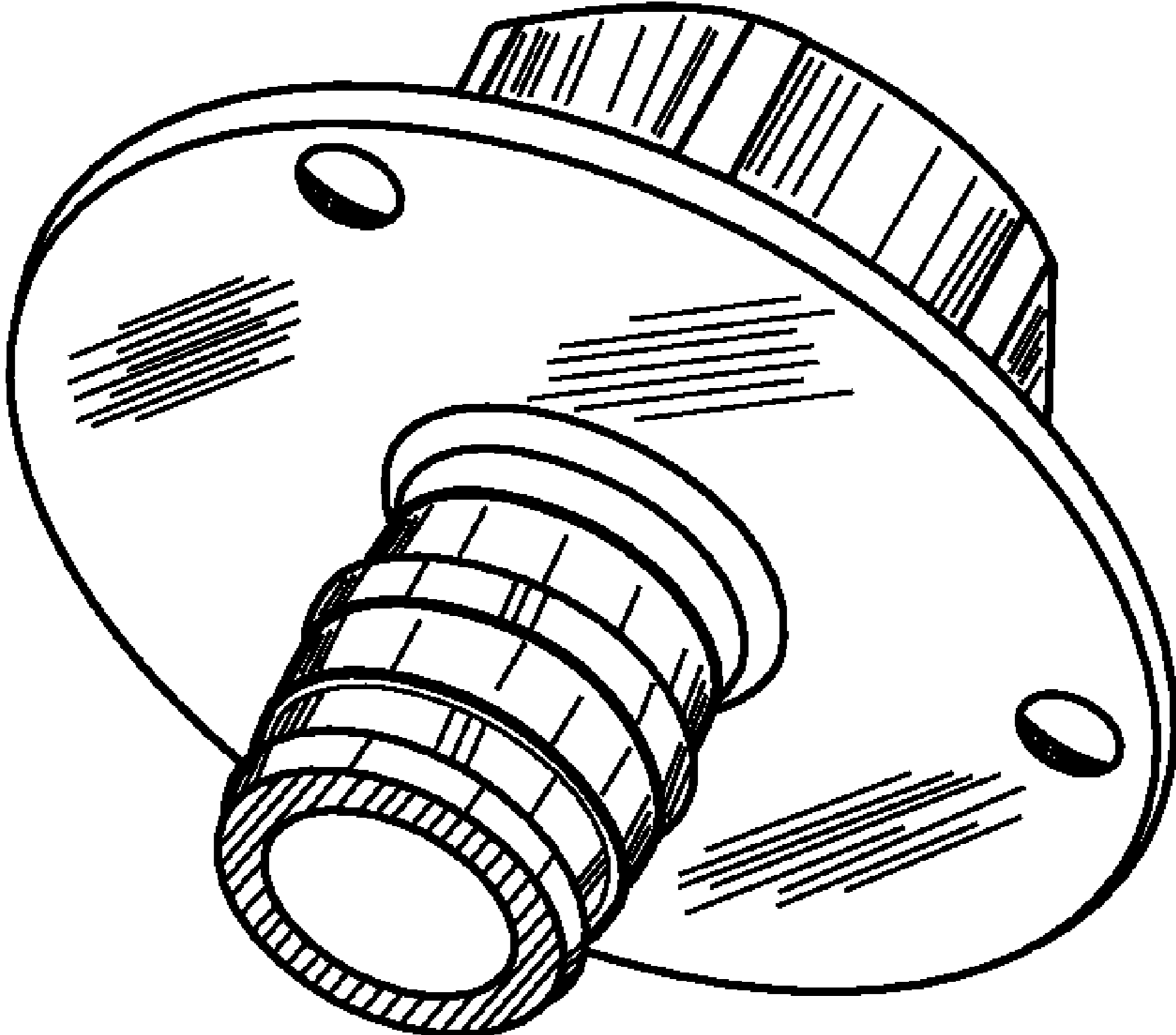


Fig. 3

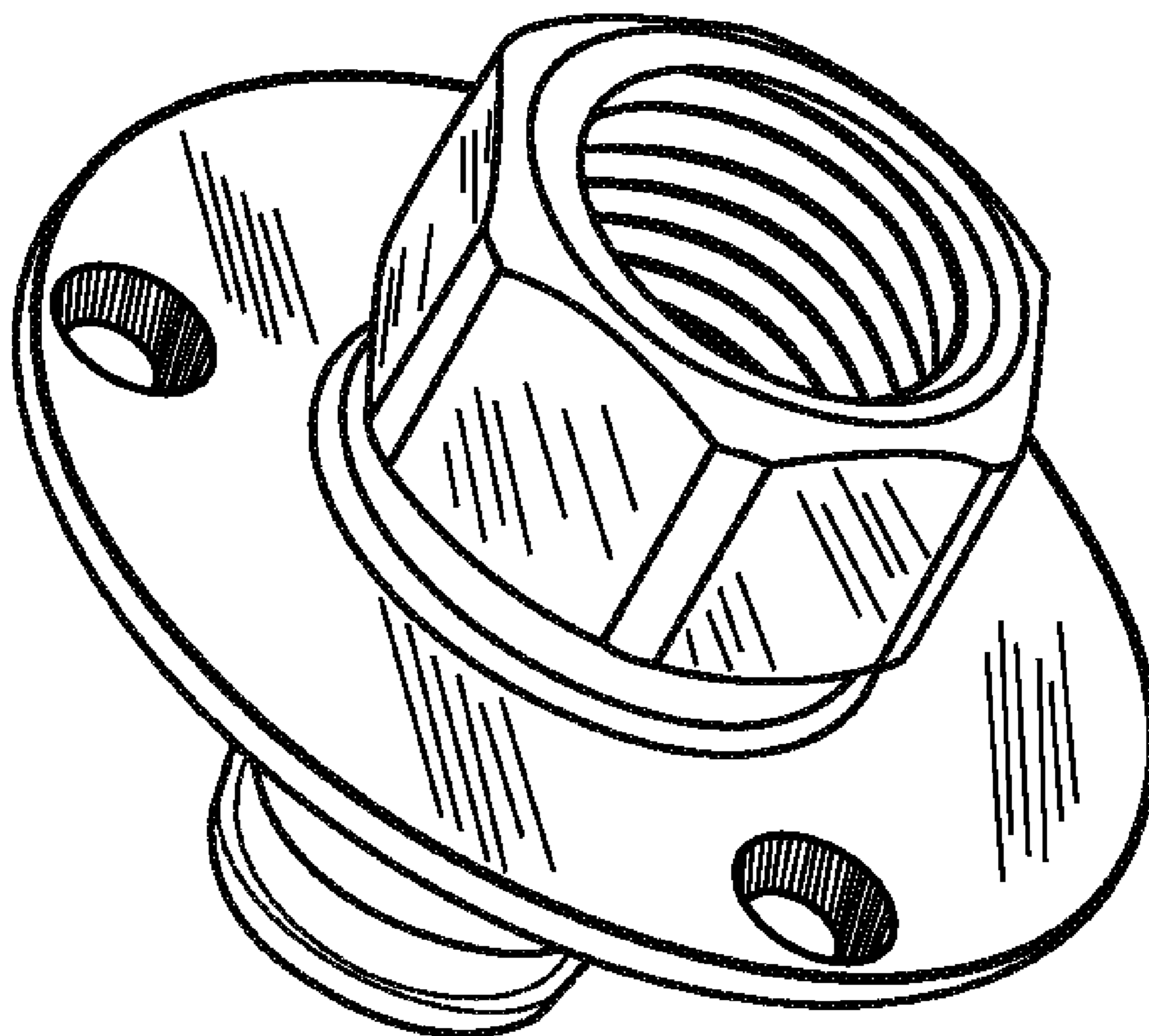


Fig. 4