



US00D632371S

(12) **United States Design Patent**
Flowers et al.

(10) **Patent No.:** **US D632,371 S**
(45) **Date of Patent:** **** Feb. 8, 2011**

(54) **LEVER**

D596,712 S * 7/2009 Schoenherr et al. D23/252

(75) Inventors: **Paul Flowers**, Duesseldorf (DE); **Jochen Allard**, Menden (DE)

* cited by examiner

Primary Examiner—Robert A Delehanty

(73) Assignee: **Grohe AG**, Hemer (DE)

(74) *Attorney, Agent, or Firm*—Muncy, Geissler, Olds & Lowe, PLLC

(**) Term: **14 Years**

(57) **CLAIM**

(21) Appl. No.: **29/367,389**

The ornamental design of a lever, as shown and described.

(22) Filed: **Aug. 6, 2010**

DESCRIPTION

(30) **Foreign Application Priority Data**

FIG. 1 is a left side elevational view of a lever according to an embodiment of the present invention.

Feb. 8, 2010 (EP) 001666843-0008

FIG. 2 is a right side elevational view of the lever of FIG. 1.

(51) **LOC (9) Cl.** **23-01**

FIG. 3 is a top plan view of the lever of FIG. 1.

(52) **U.S. Cl.** **D23/252**

FIG. 4 is a bottom plan view of the lever of FIG. 1.

(58) **Field of Classification Search** D23/250,
D23/252, 254, 238–243, 253; 4/676–678;
138/801

FIG. 5 is a front elevational view of the lever of FIG. 1.

FIG. 6 is a rear elevational view of the lever of FIG. 1; and,
FIG. 7 is a three-quarter perspective view of the lever of FIG. 1.

See application file for complete search history.

The dashed lines illustrate environment that does not form a part of the present invention, and no claim is made to the material illustrated with dashed lines.

(56) **References Cited**

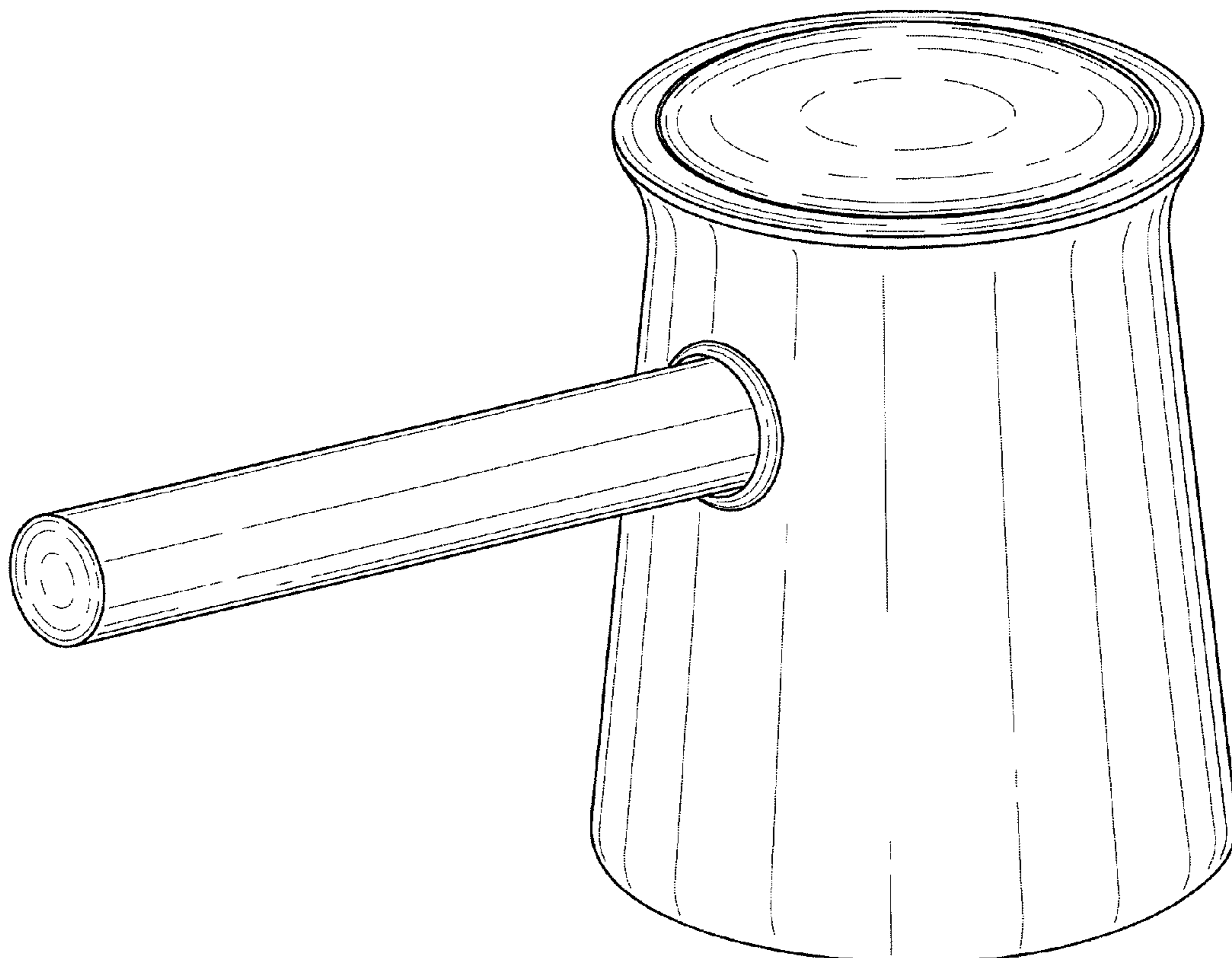
U.S. PATENT DOCUMENTS

1 Claim, 6 Drawing Sheets

D526,052 S * 8/2006 Lord D23/252

D568,447 S * 5/2008 Lai D23/250

D594,936 S 6/2009 Schoenherr et al.



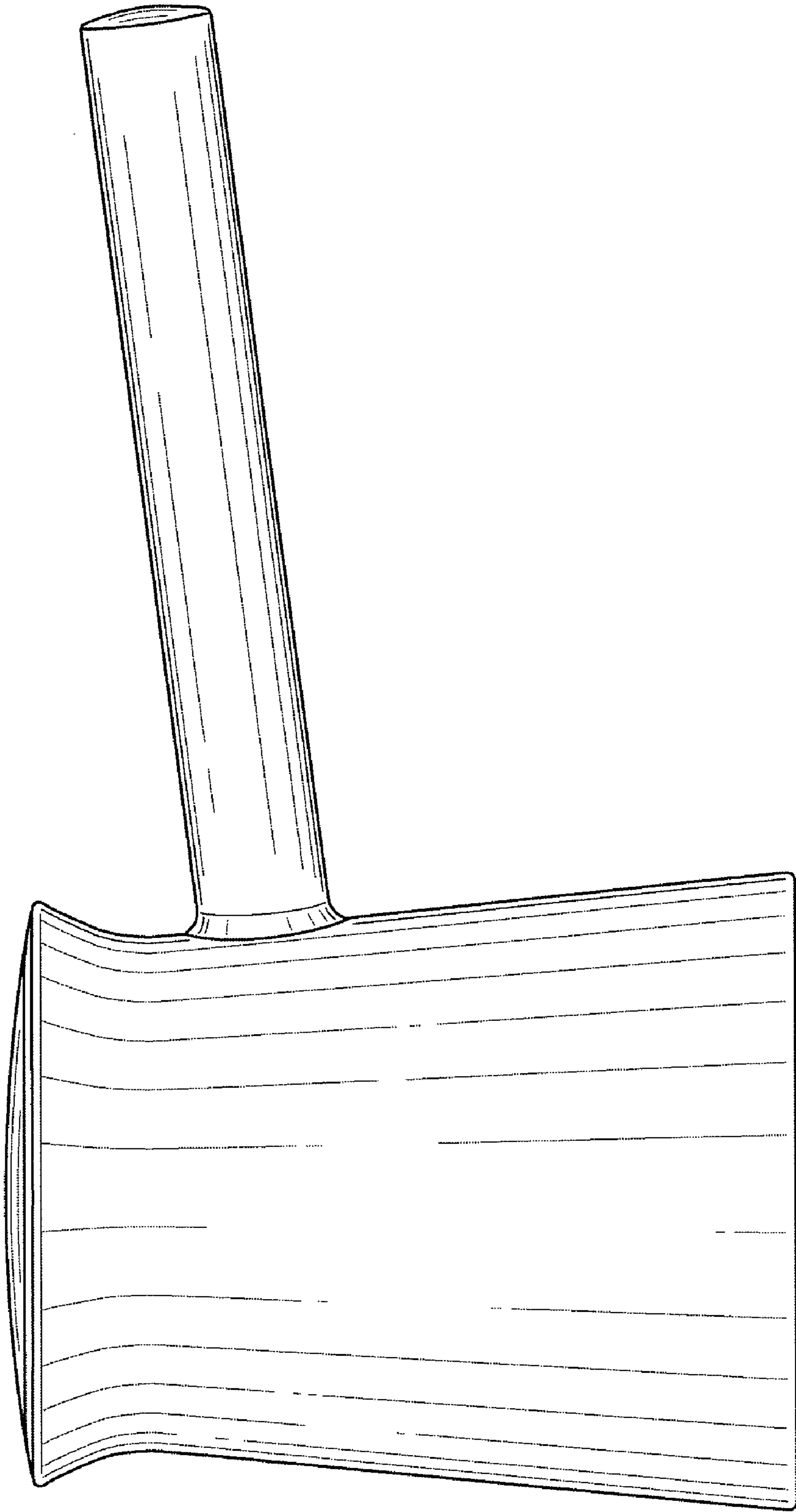


FIG. 1

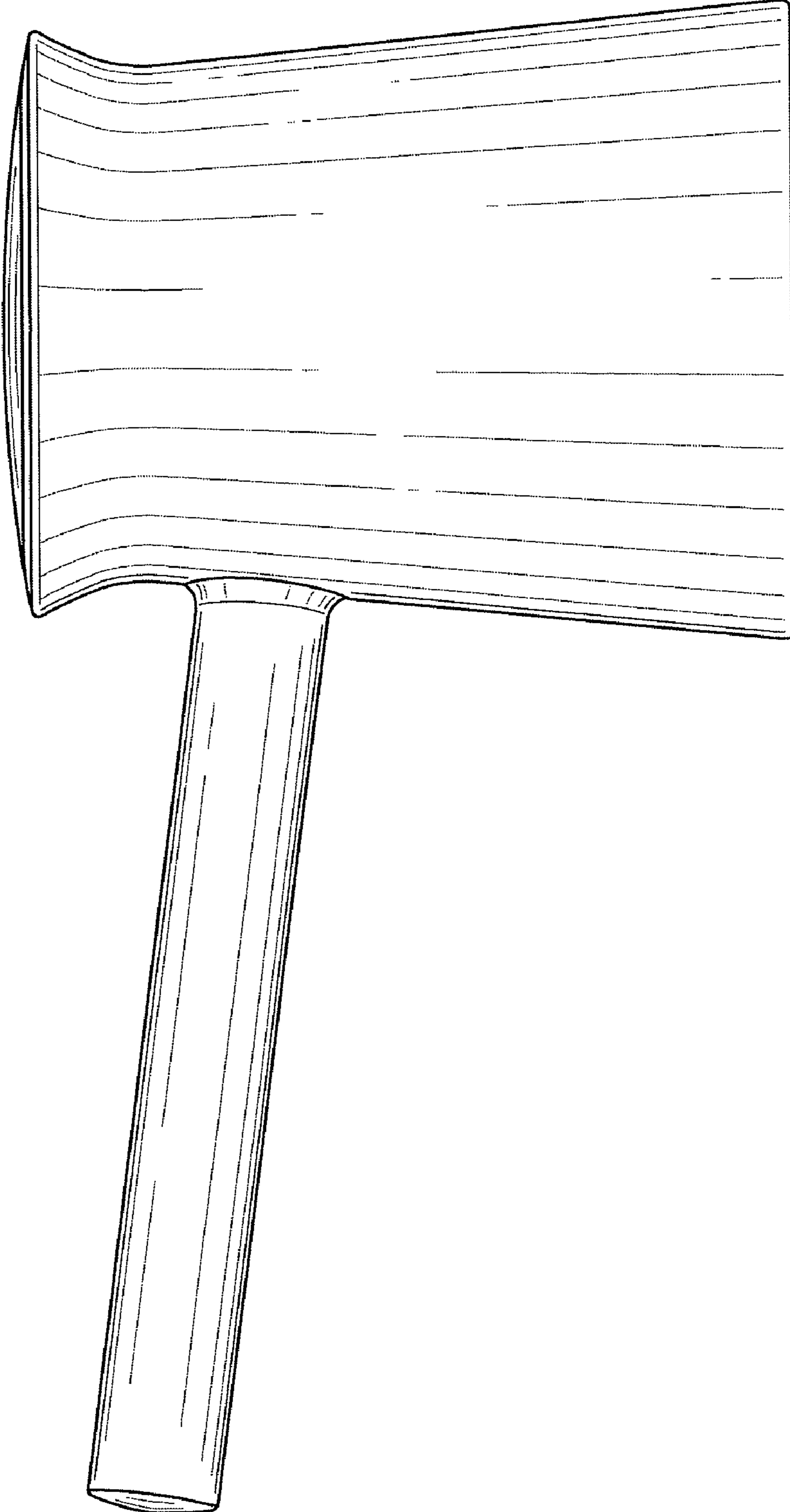


FIG. 2

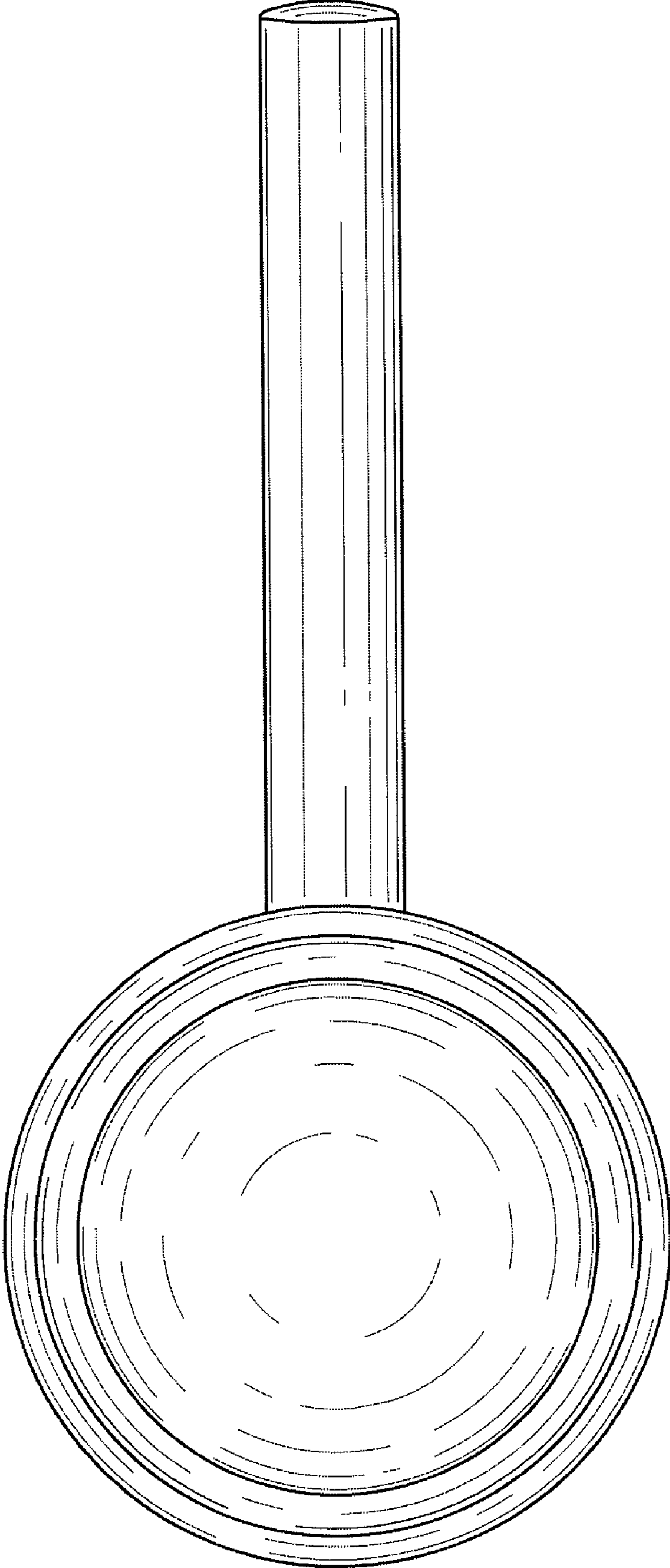


FIG. 3

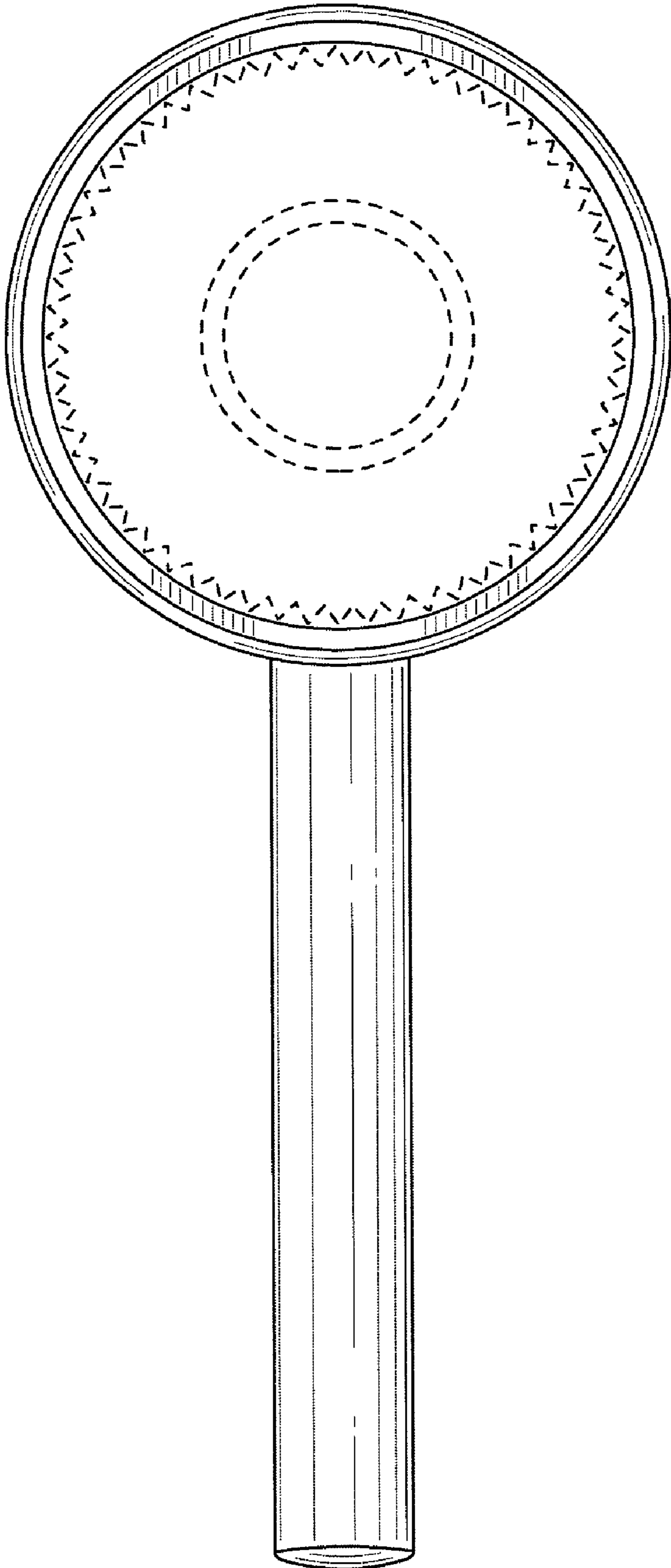


FIG. 4

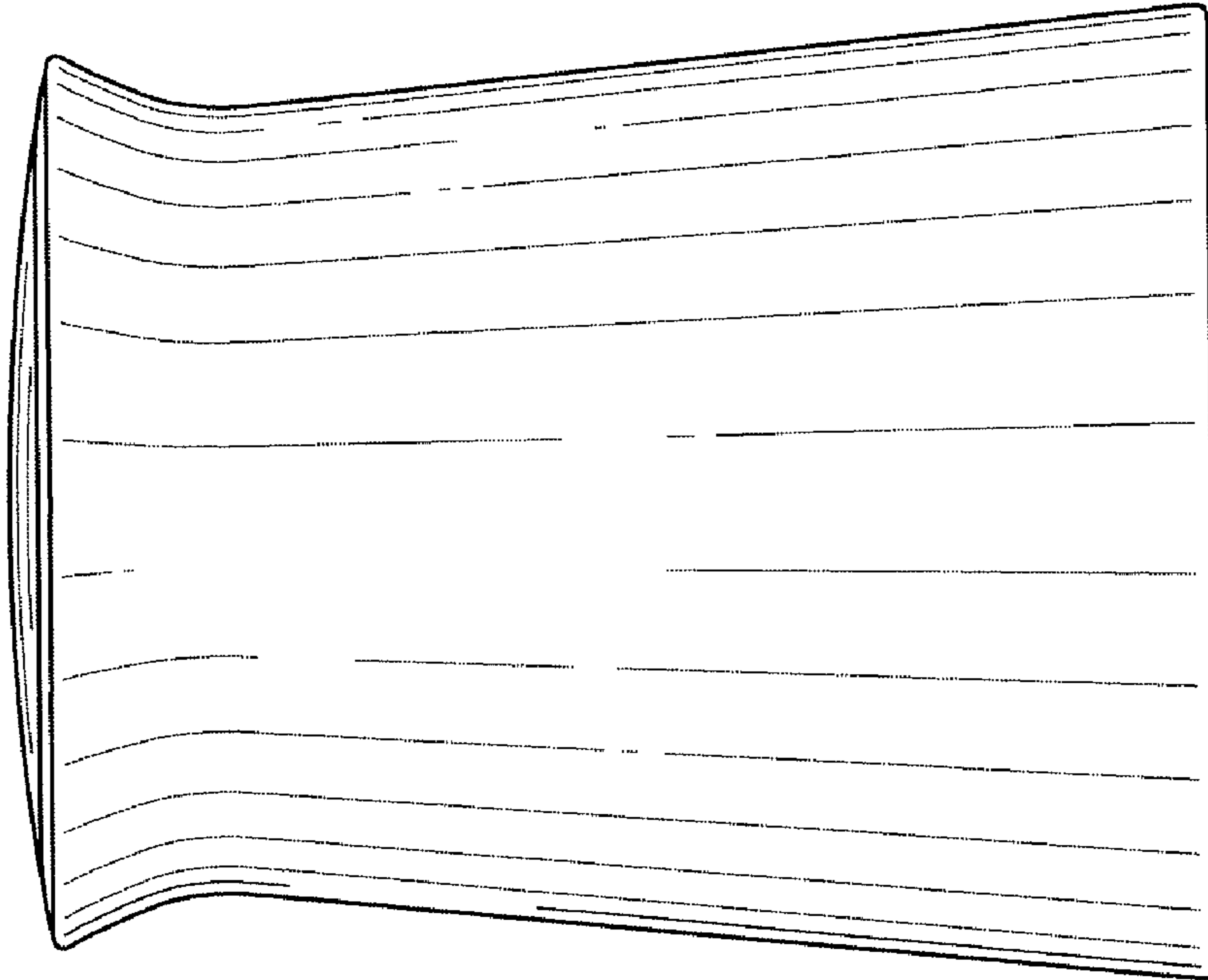


FIG. 6

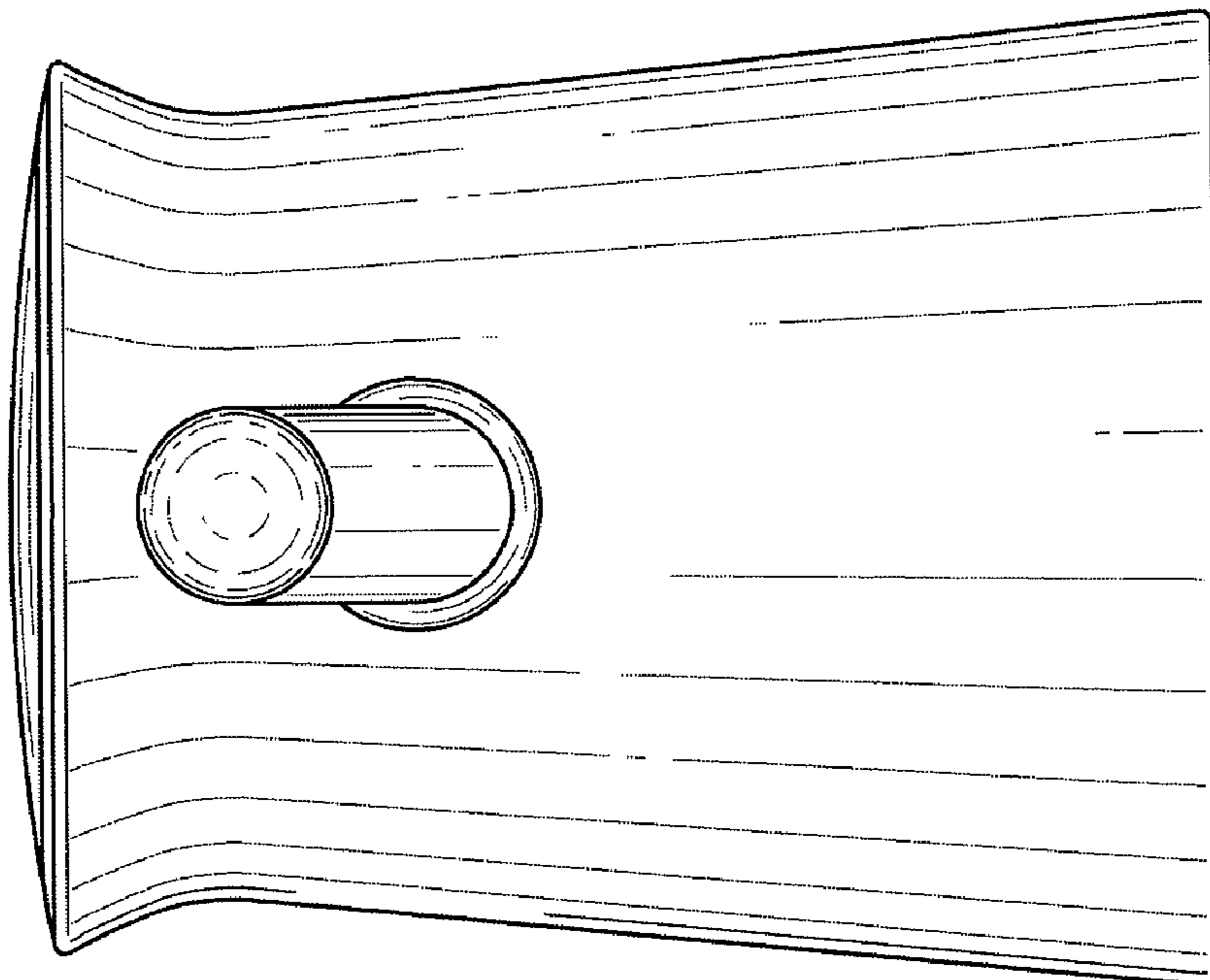


FIG. 5

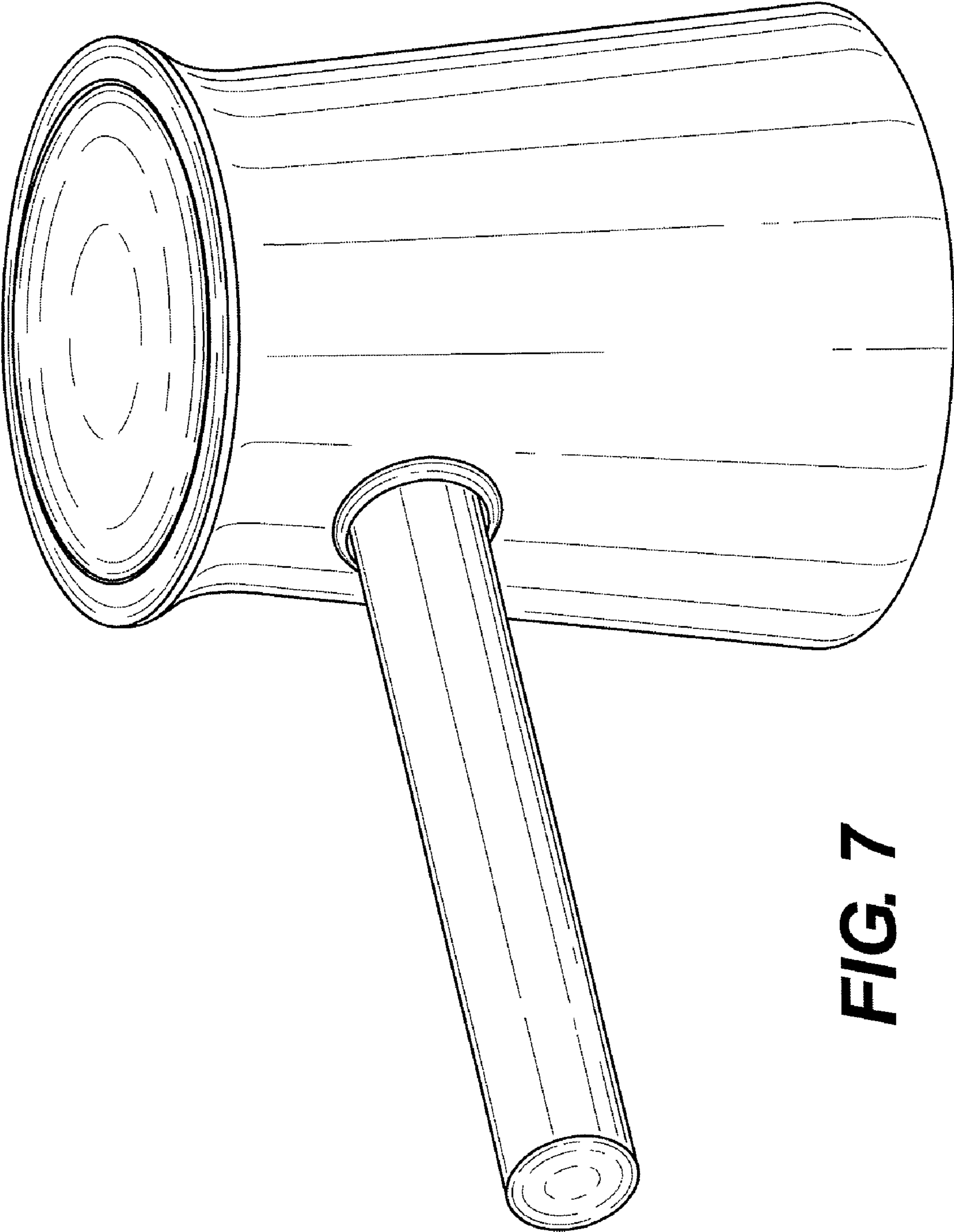


FIG. 7