



(12) **United States Design Patent**  
**Kulig**

(10) **Patent No.:** **US D632,369 S**  
(45) **Date of Patent:** **\*\* Feb. 8, 2011**

(54) **FAUCET HANDLE**

(75) Inventor: **Zbigniew Kulig**, Wadworth, IL (US)

(73) Assignee: **Graff Faucets**, Milwaukee, WI (US)

(\*\*) Term: **14 Years**

(21) Appl. No.: **29/357,462**

(22) Filed: **Mar. 12, 2010**

(51) **LOC (9) Cl.** ..... **23-01**

(52) **U.S. Cl.** ..... **D23/252**

(58) **Field of Classification Search** ..... D23/238-243,  
D23/250, 252, 254; 4/676; 137/801

See application file for complete search history.

(56) **References Cited**

U.S. PATENT DOCUMENTS

D495,780 S *	9/2004	Aubry et al.	.....	D23/252
D512,487 S *	12/2005	Kulig et al.	.....	D23/252
D525,346 S	7/2006	Kulig		
D529,586 S	10/2006	Kulig		
D529,994 S	10/2006	Kulig		
D546,421 S	7/2007	Kulig et al.		
D552,216 S *	10/2007	Haug et al.	.....	D23/252
D573,231 S	7/2008	Kulig		
D579,521 S	10/2008	Kulig		

OTHER PUBLICATIONS

Kulig; U.S. Appl. No. 29/340,747, filed Jul. 24, 2009, entitled "Faucet".

Kulig; U.S. Appl. No. 29/350,386, filed Nov. 16, 2009, entitled "Faucet".

\* cited by examiner

*Primary Examiner*—Robert A Delehanty

(74) *Attorney, Agent, or Firm*—Boyle Fredrickson, S.C.

(57) **CLAIM**

The ornamental design for a faucet handle, as shown and described.

**DESCRIPTION**

FIG. 1 is perspective view of a faucet handle incorporating my new design, viewed from in front of, above, and from the left side of the faucet handle;

FIG. 2 is a left-side elevation view thereof;

FIG. 3 is a right-side elevation view thereof;

FIG. 4 is a front elevation view thereof;

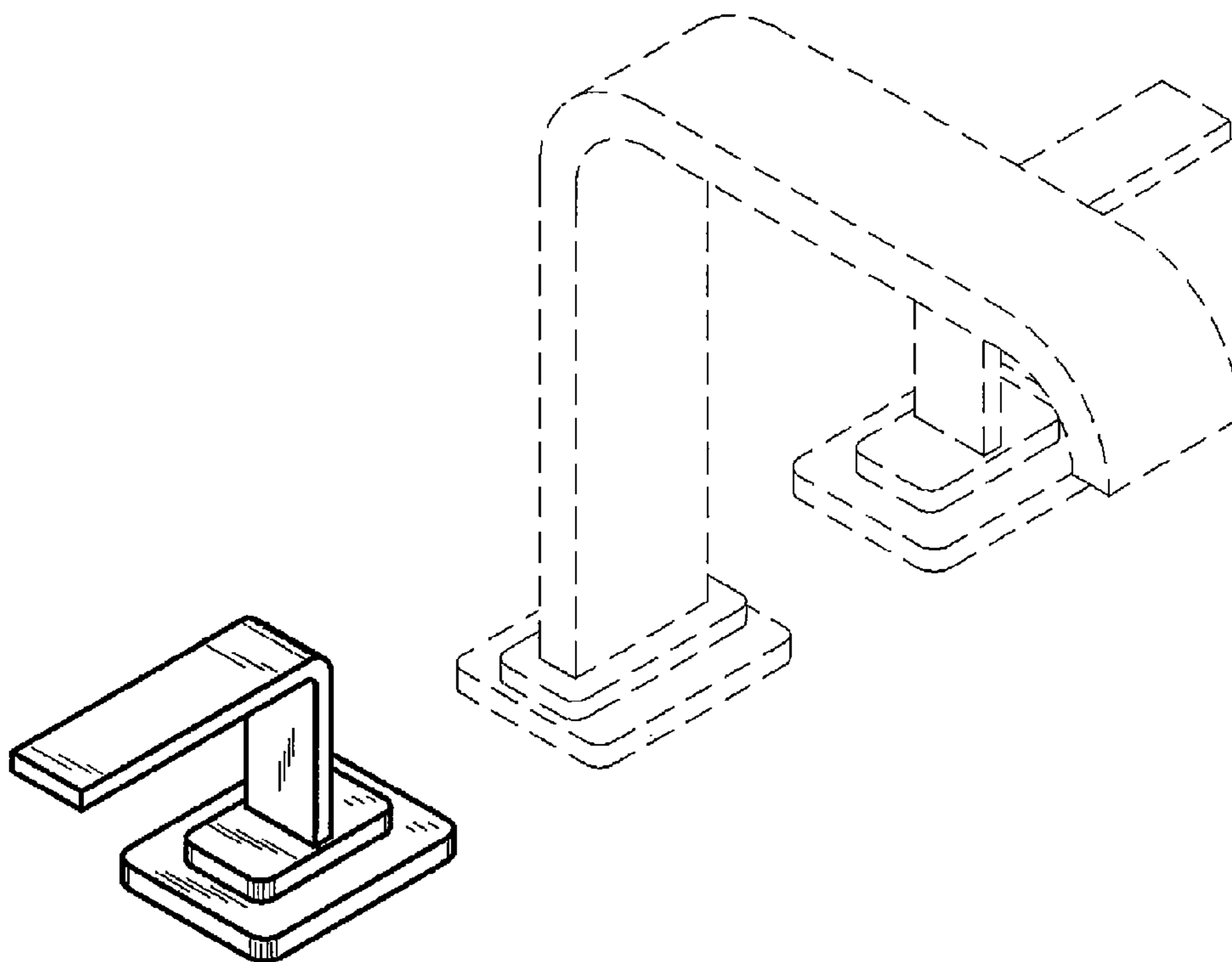
FIG. 5 is a rear elevation view thereof;

FIG. 6 is a top plan view thereof; and,

FIG. 7 is a bottom plan view thereof.

The broken lines in FIGS. 1-7 are for illustrative purposes only and form no part of the claimed design.

**1 Claim, 7 Drawing Sheets**



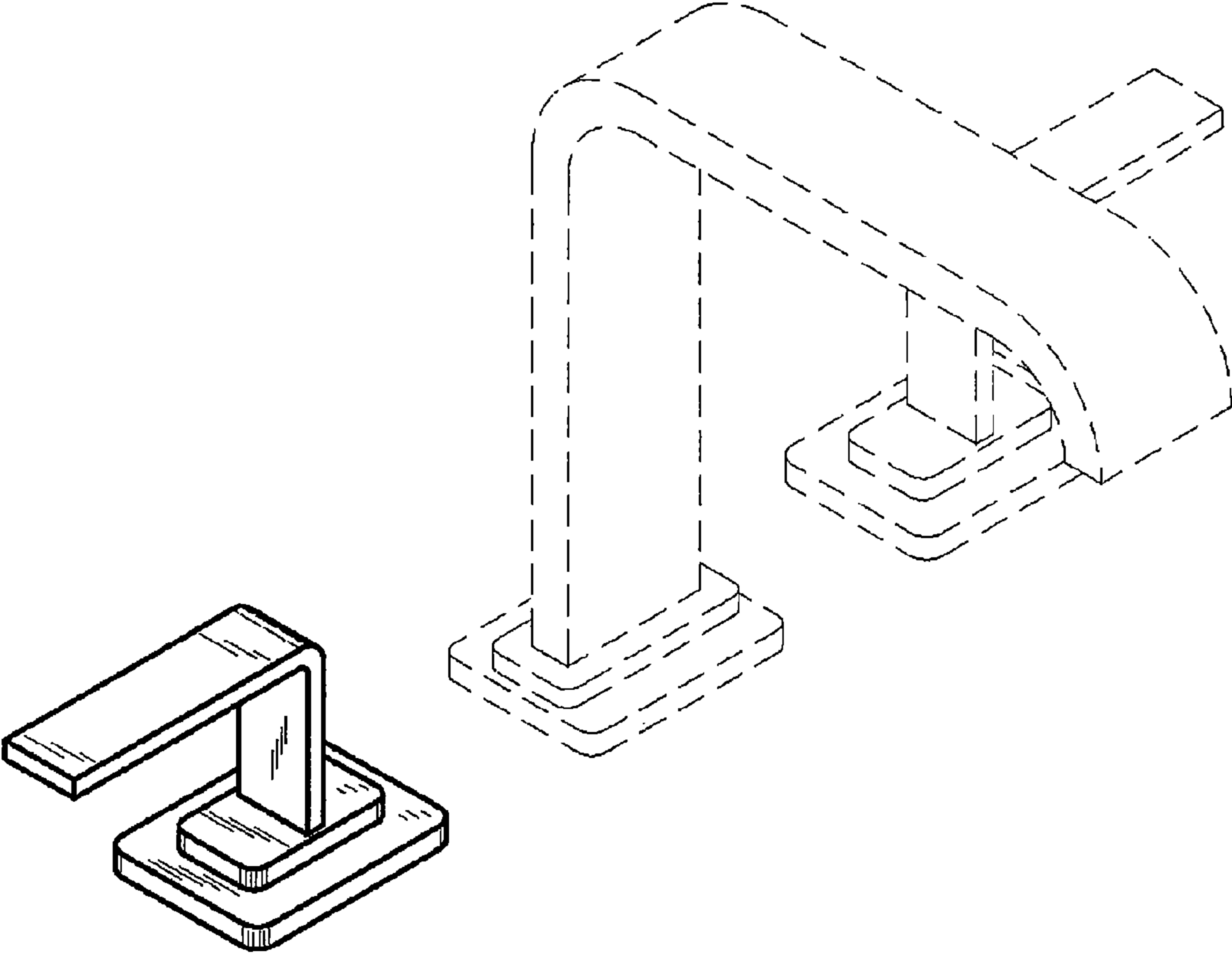


FIG. 1

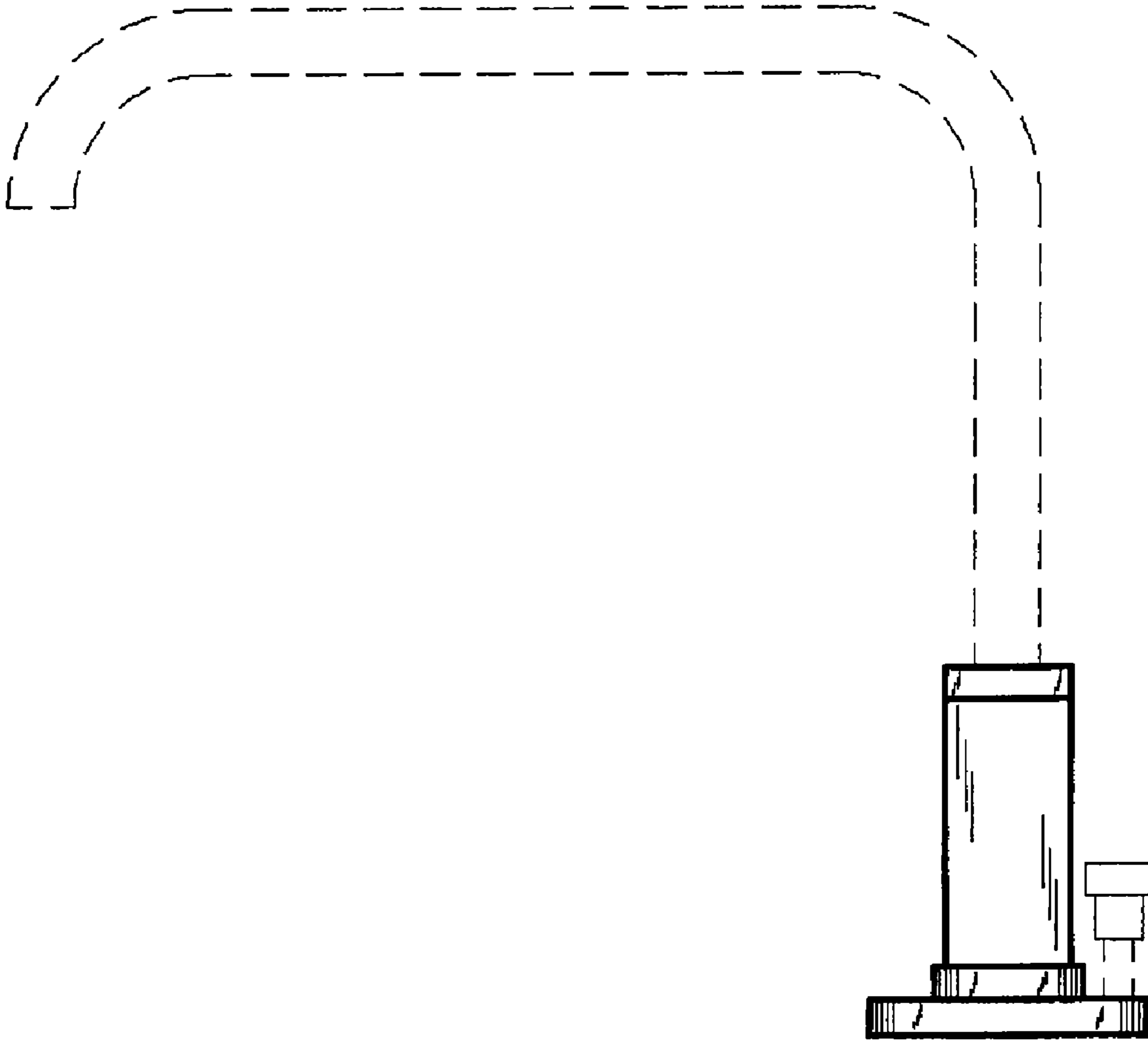


FIG. 2

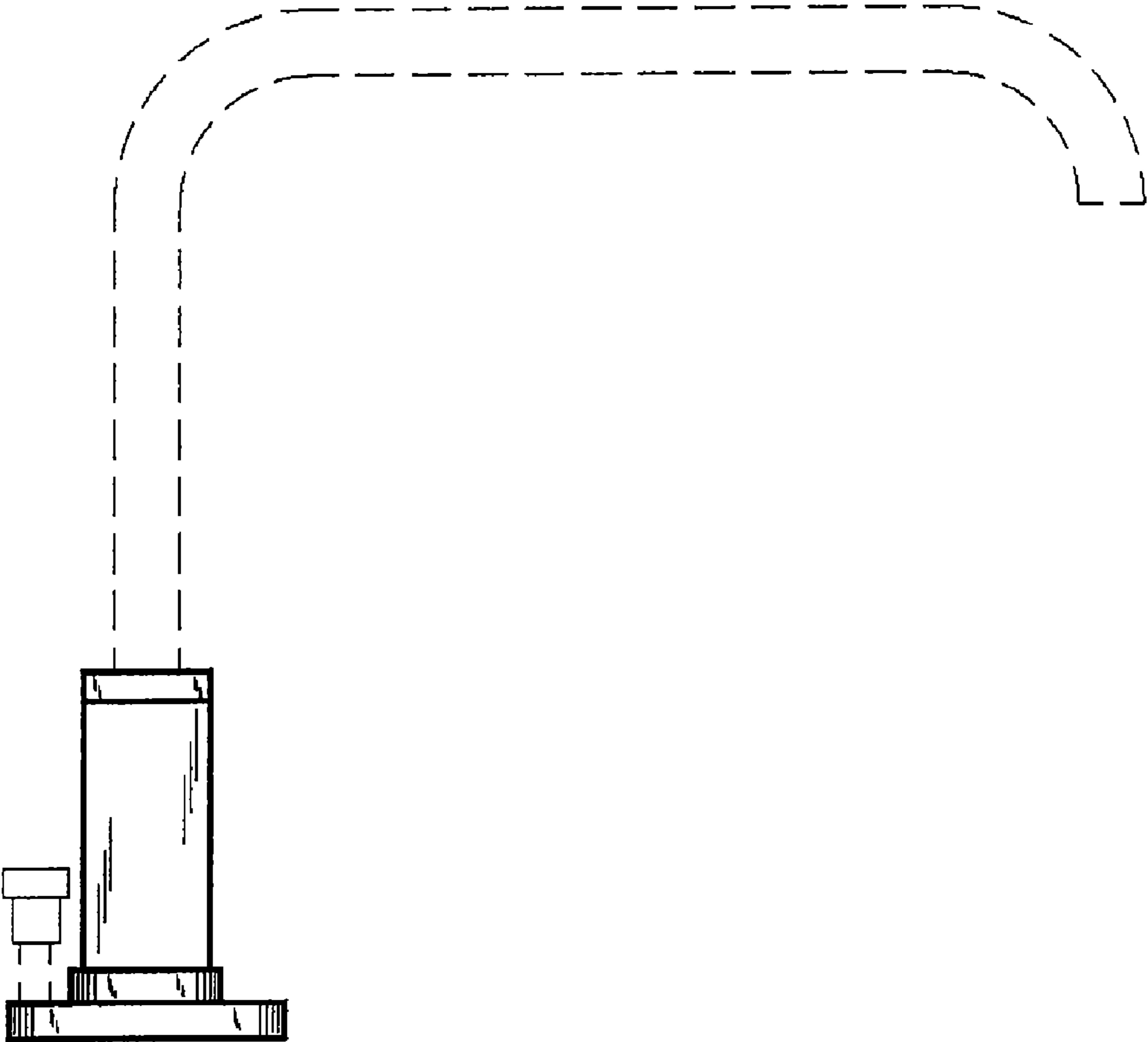


FIG. 3

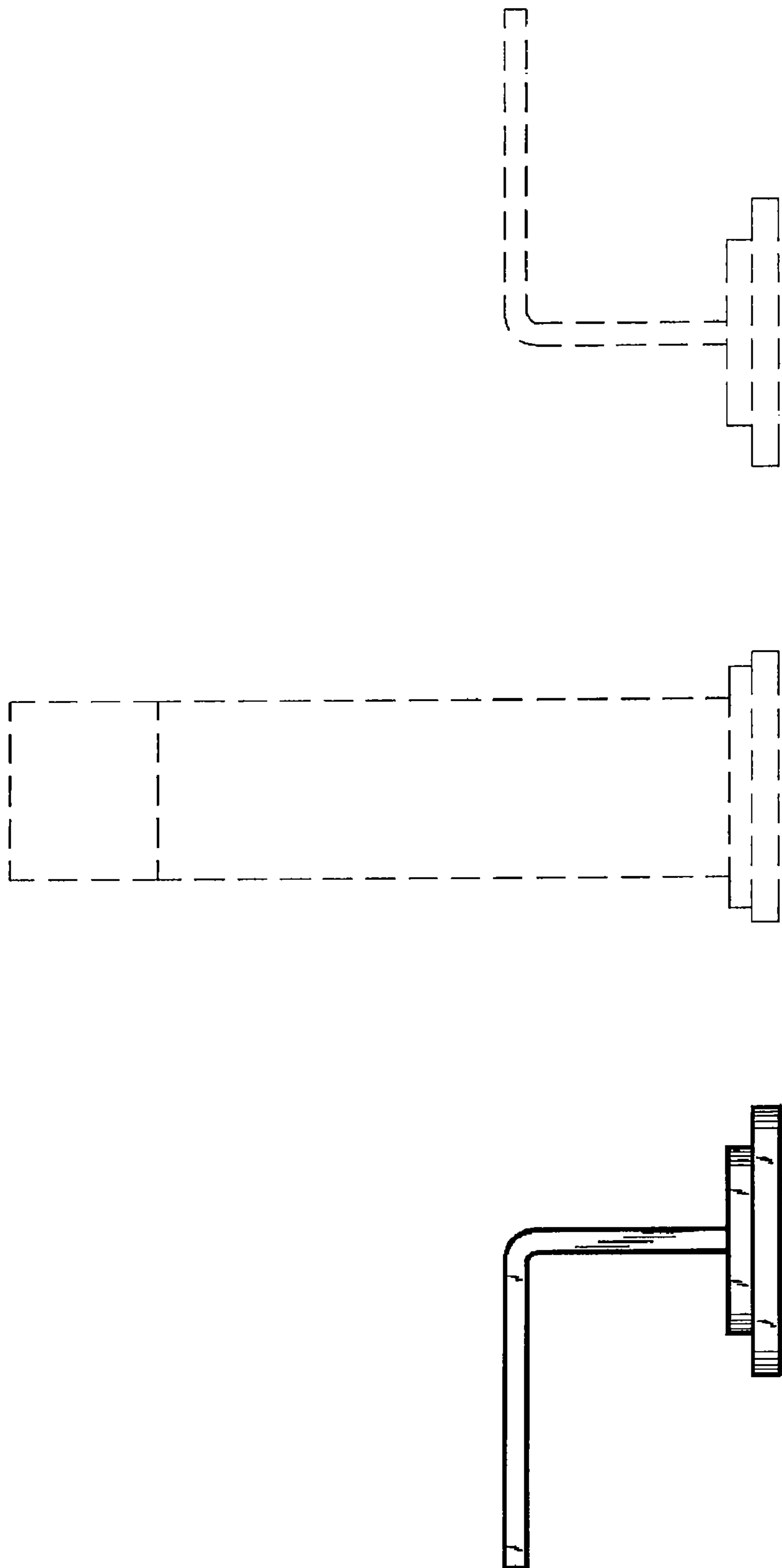


FIG. 4

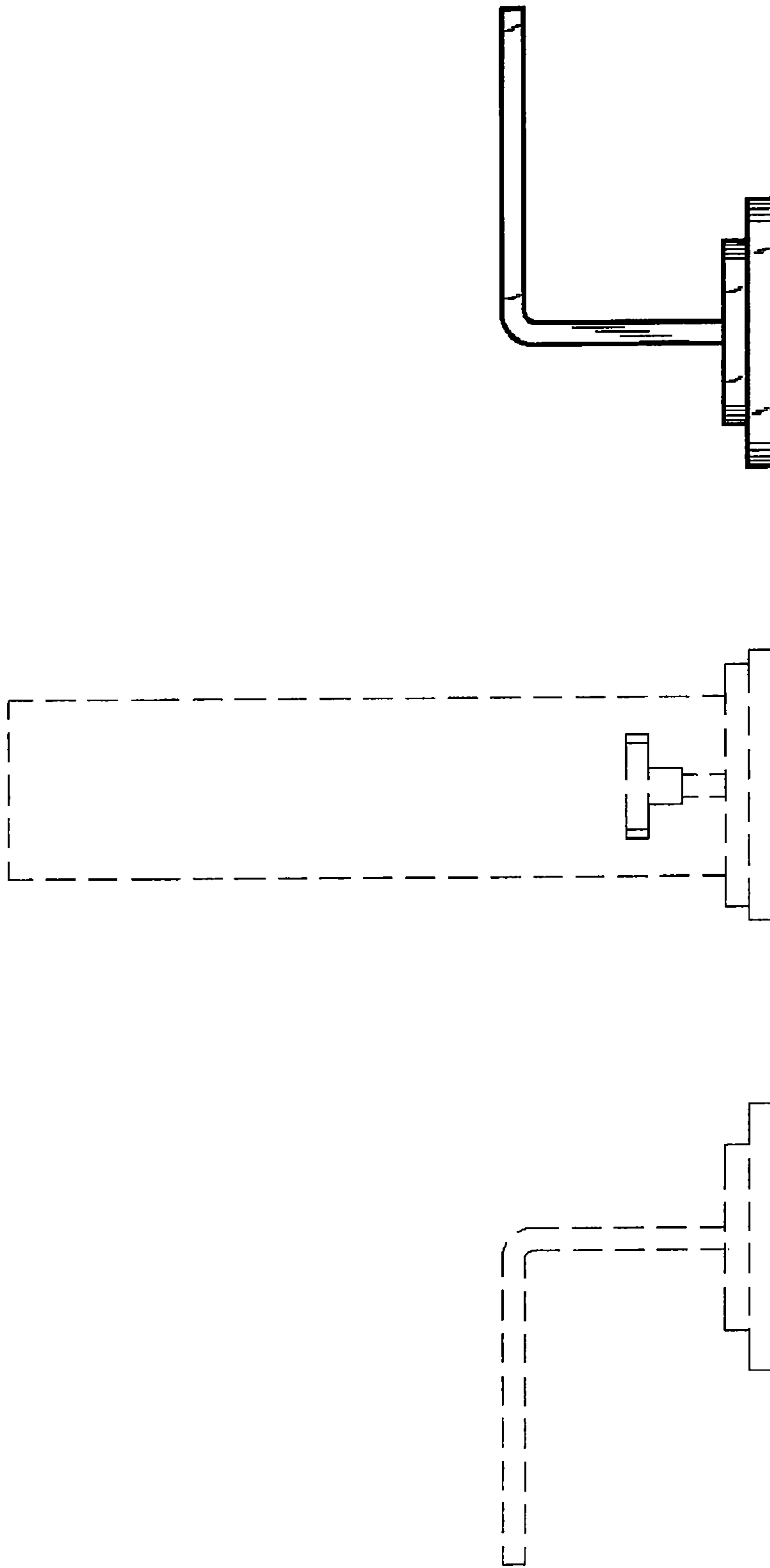


FIG. 5

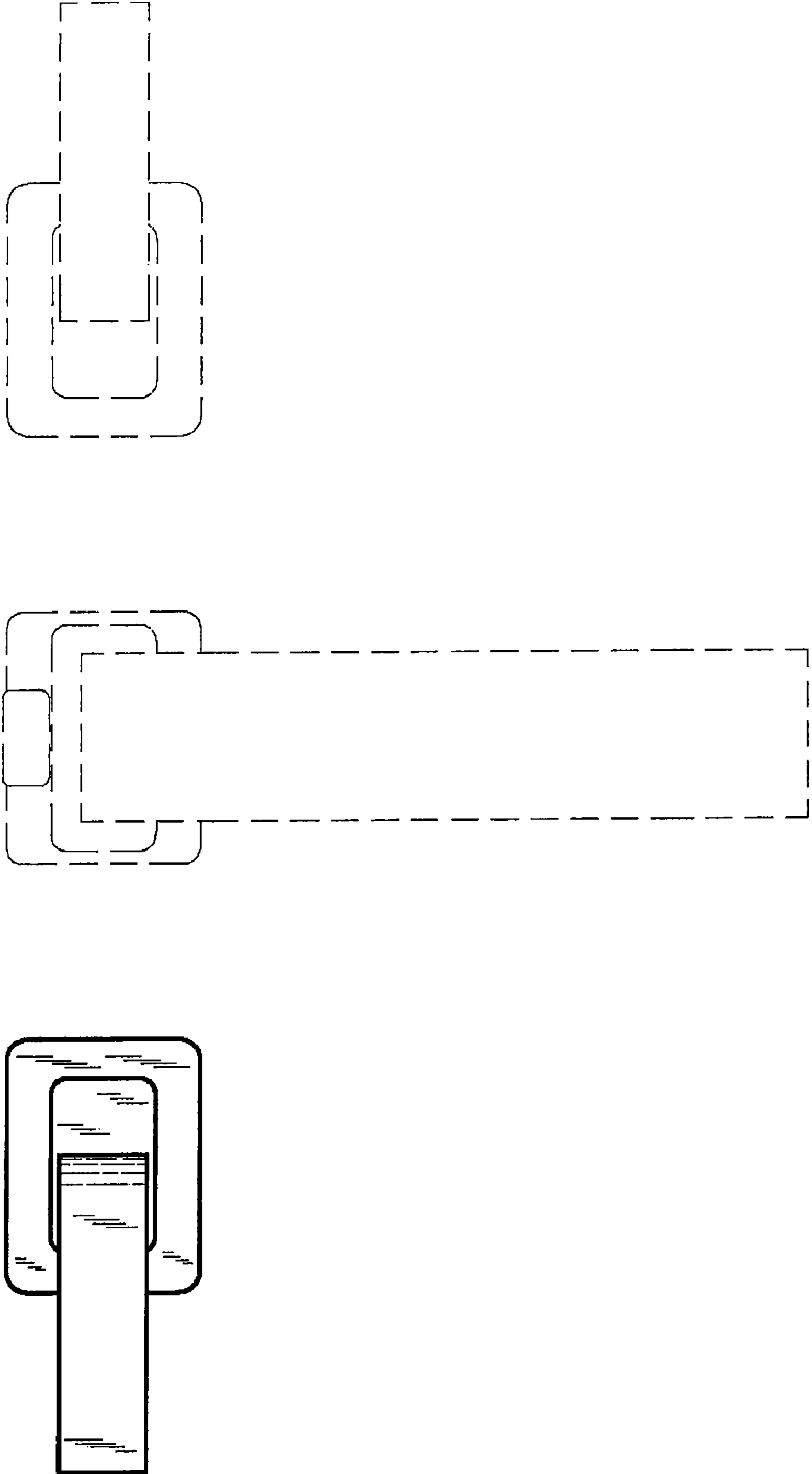


FIG. 6

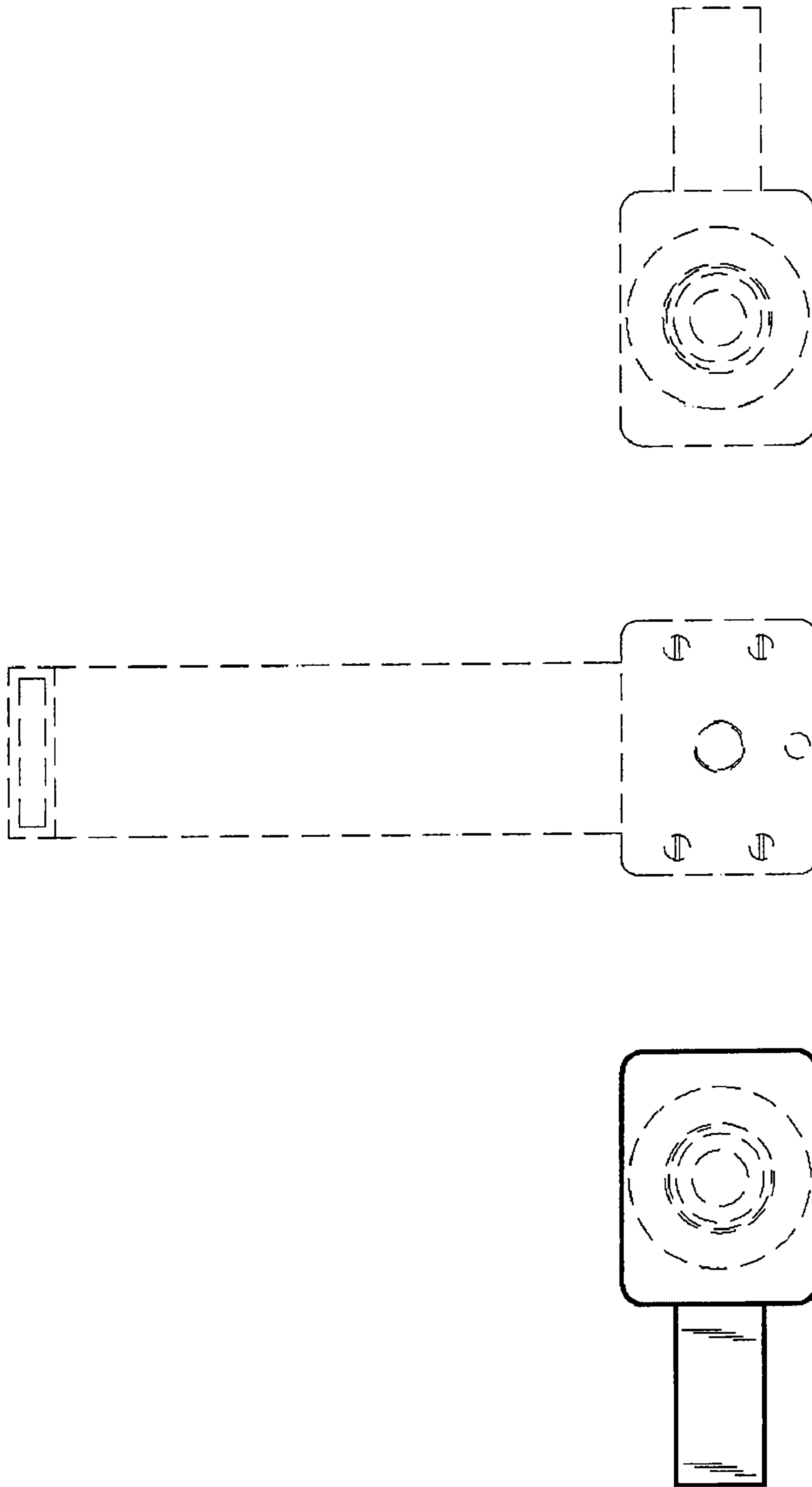


FIG. 7