



US00D632368S

(12) **United States Design Patent**  
**Kolar et al.**

(10) **Patent No.:** **US D632,368 S**  
(45) **Date of Patent:** **\*\* Feb. 8, 2011**

(54) **FAUCET HANDLE**

(75) Inventors: **Michael A. Kolar**, North Royalton, OH (US); **Michael H. Meyer**, Sagamore Hills, OH (US); **Jeffery J. Labinski**, Lakewood, OH (US)

(73) Assignee: **The Meyer Company**, Cleveland, OH (US)

(\*\*) Term: **14 Years**

(21) Appl. No.: **29/357,630**

(22) Filed: **Mar. 15, 2010**

(51) **LOC (9) Cl.** ..... **23-01**

(52) **U.S. Cl.** ..... **D23/250; D7/398**

(58) **Field of Classification Search** ..... D23/238–243, D23/250, 252, 254; 4/676; 137/801; D7/398  
See application file for complete search history.

(56) **References Cited**

**U.S. PATENT DOCUMENTS**

- D194,389 S \* 1/1963 Benjamin ..... D7/398
- 4,203,572 A 5/1980 Coffman
- D271,368 S \* 11/1983 Belland et al. .... D23/238
- D295,138 S \* 4/1988 Hyde ..... D7/398
- D309,006 S \* 7/1990 Spangler ..... D23/252
- 5,449,144 A 9/1995 Kowalics
- 5,470,044 A 11/1995 Chi
- D378,400 S 3/1997 Kowalics
- 5,671,904 A 9/1997 Minutillo
- 5,762,317 A 6/1998 Frahm et al.
- 6,082,598 A 7/2000 Lee
- 6,086,045 A 7/2000 Moon
- D482,235 S \* 11/2003 Yui ..... D7/398
- 6,793,195 B2 9/2004 Dou
- 6,802,341 B1 10/2004 Johnson et al.
- 6,880,797 B2 4/2005 Yui
- D506,529 S 6/2005 Roethel
- D508,109 S 8/2005 Roethel
- 6,962,319 B2 11/2005 Zheng
- D525,828 S \* 8/2006 Daniels, Jr. .... D7/398
- 7,100,888 B1 9/2006 Johnson

- 2003/0001124 A1 1/2003 Chen
- 2003/0218147 A1 11/2003 Zhen
- 2004/0183041 A1 9/2004 Zheng
- 2009/0057339 A1 3/2009 Piscotty et al.

**FOREIGN PATENT DOCUMENTS**

- CN 2746228 Y 12/2005
- WO WO 02/38995 5/2002
- WO WO 2005/080844 9/2005
- WO WO 2009/054573 4/2009

**OTHER PUBLICATIONS**

Tomlinson No-Drop Division Brochure, 2004, Rev, Dec. 2008.  
International Search Report mailed May 12, 2010 for International application No. PCT/US2010/027325.  
Written Opinion mailed May 12, 2010 for International application No. PCT/US2010/027325.

\* cited by examiner

*Primary Examiner*—Robert A Delehanty  
(74) *Attorney, Agent, or Firm*—Fay Sharpe LLP

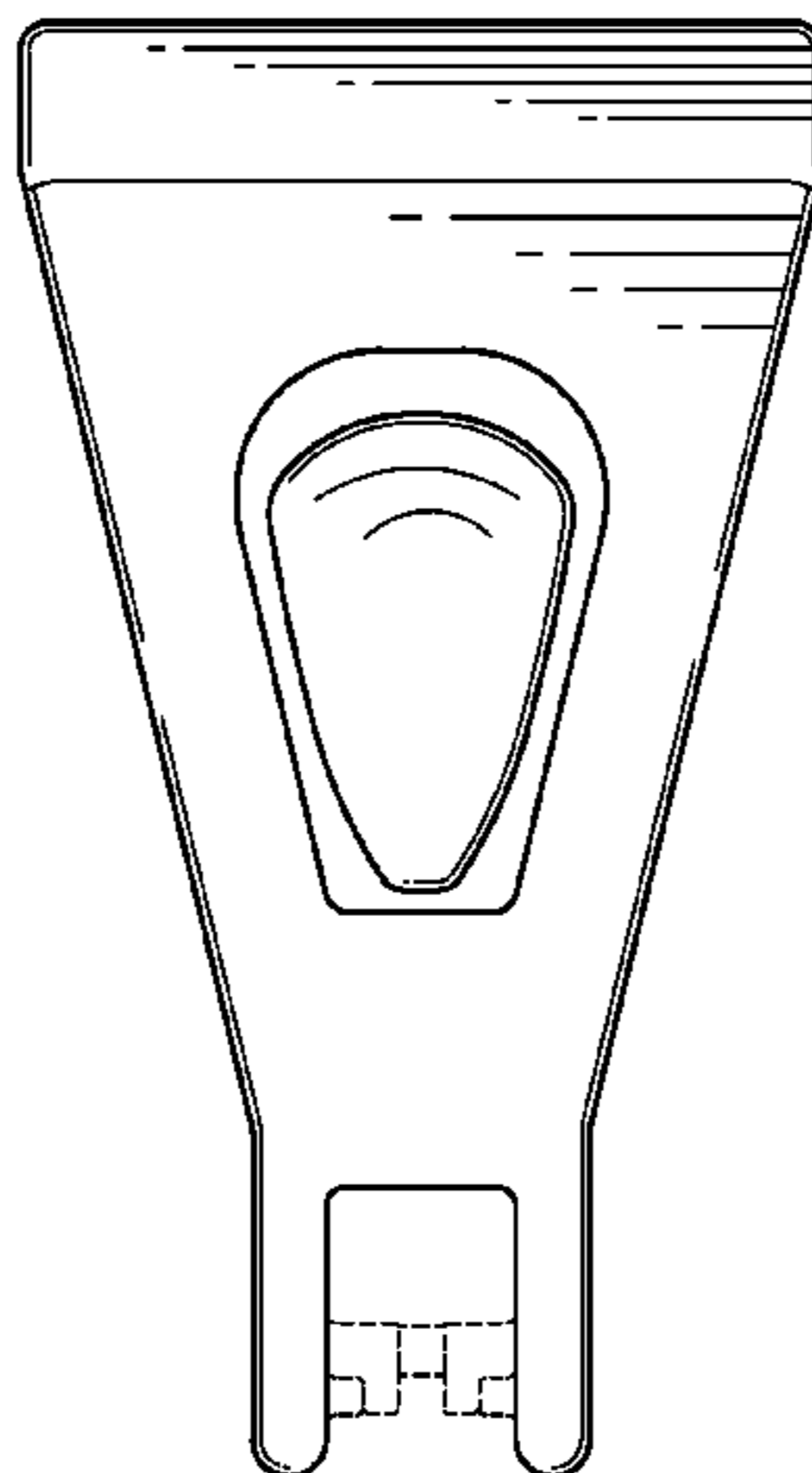
(57) **CLAIM**

The ornamental design for a faucet handle, as shown and described.

**DESCRIPTION**

FIG. 1 is a front view of a faucet handle showing my new design;  
FIG. 2 is a left side view thereof;  
FIG. 3 is a rear view thereof;  
FIG. 4 is a right side view thereof;  
FIG. 5 is top view thereof;  
FIG. 6 is a bottom view thereof;  
FIG. 7 is a front isometric view thereof; and,  
FIG. 8 is a rear isometric view thereof.  
Features shown in broken lines form no part of the claimed design.

**1 Claim, 4 Drawing Sheets**



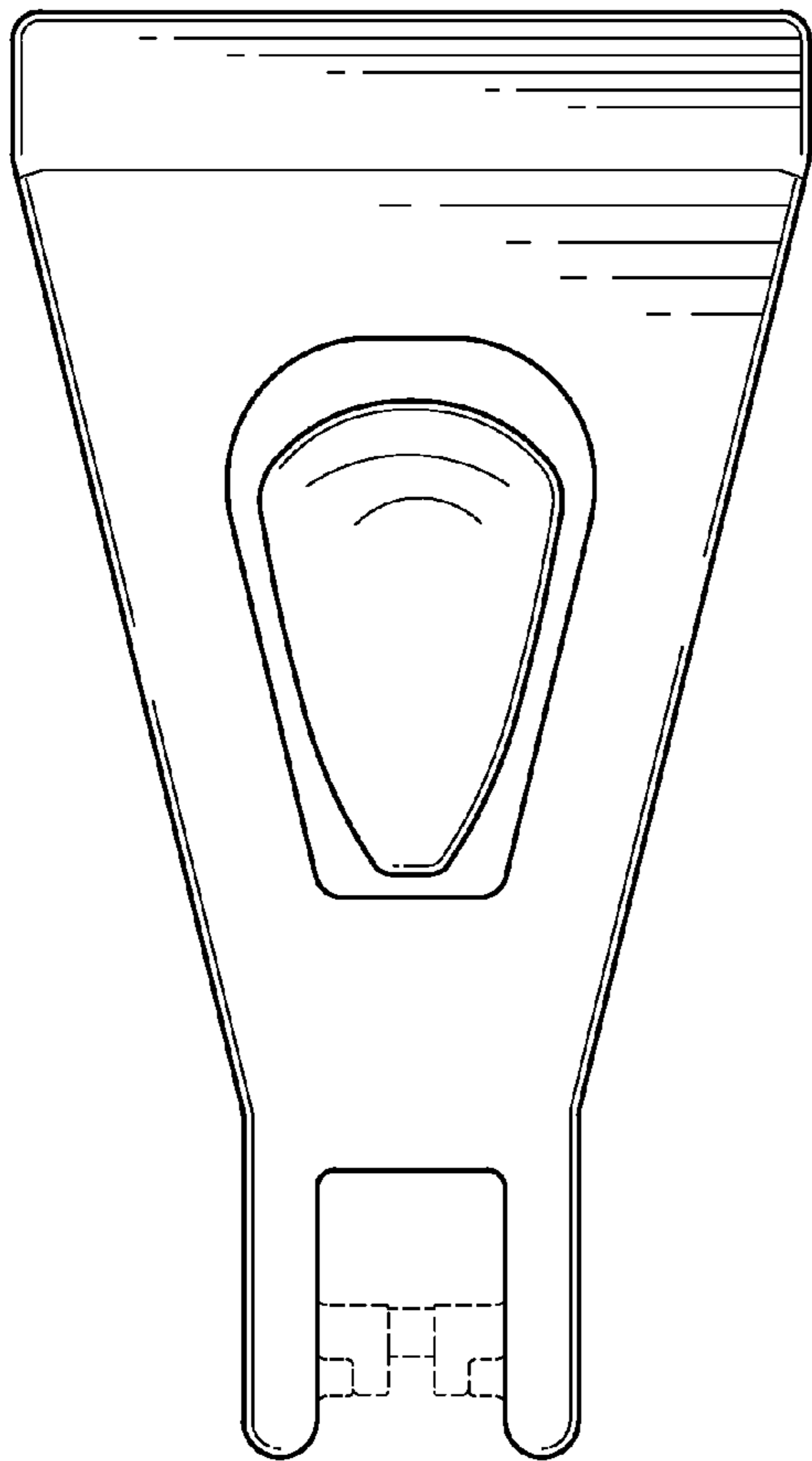


FIG. 1

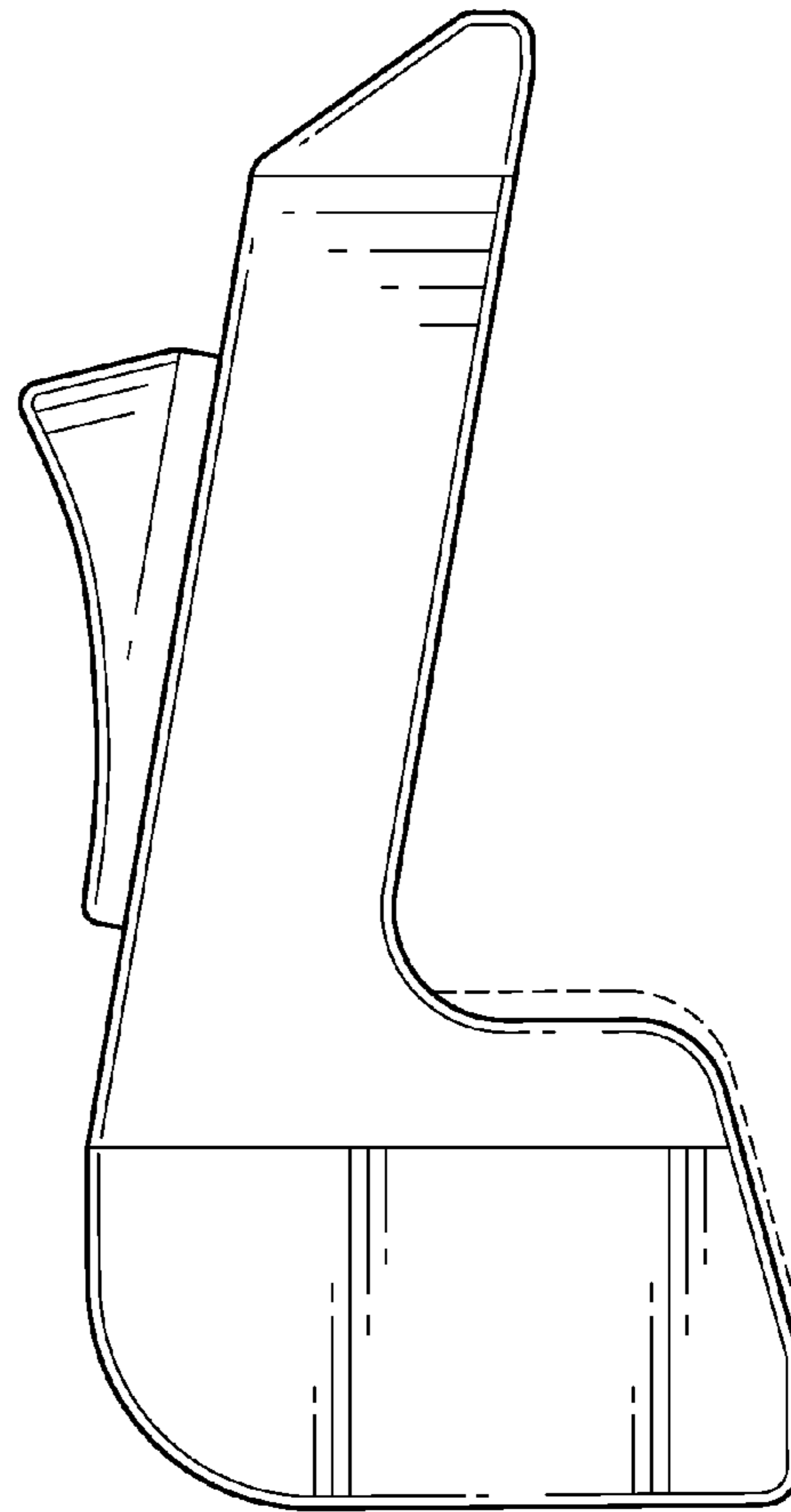


FIG. 2

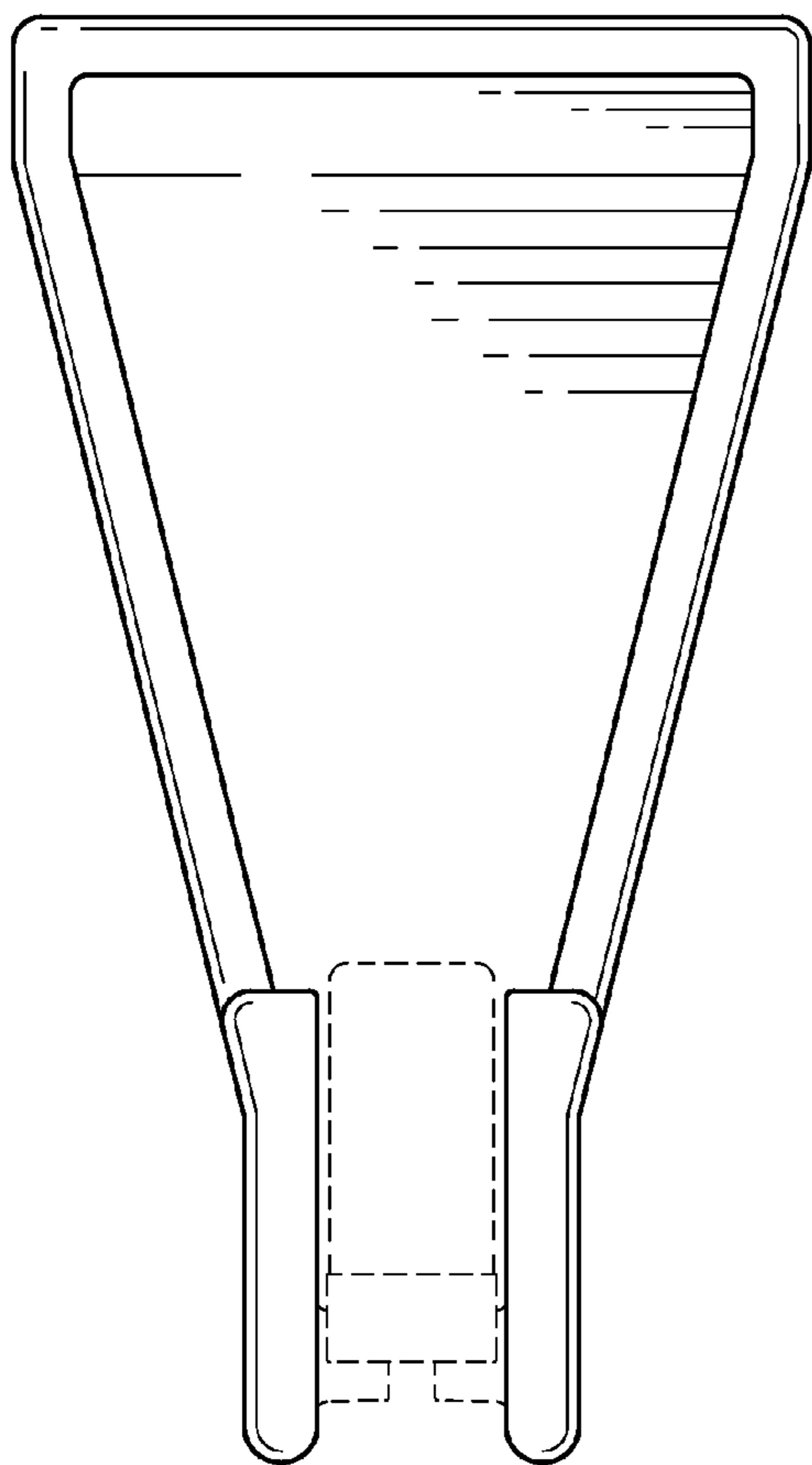


FIG. 3

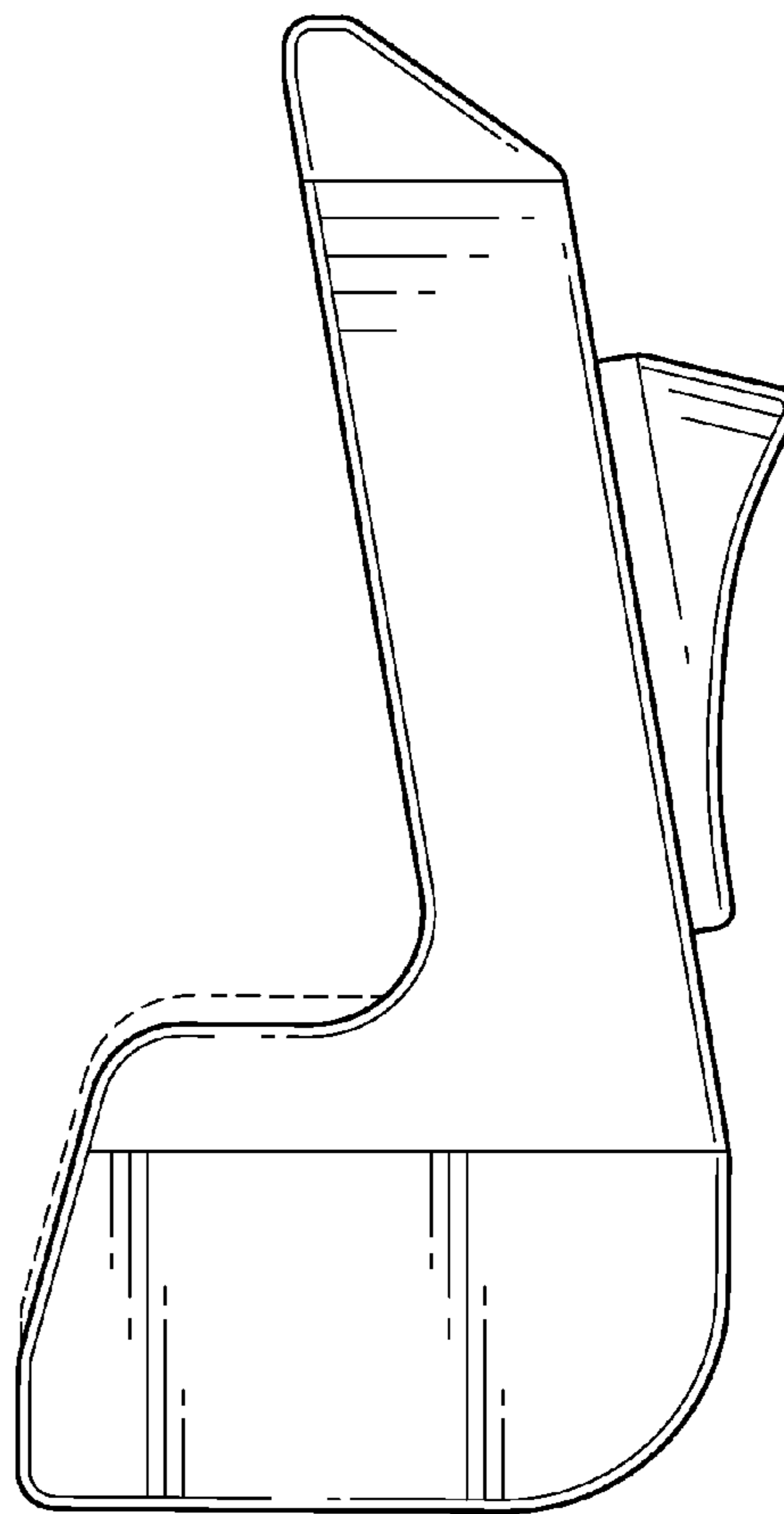
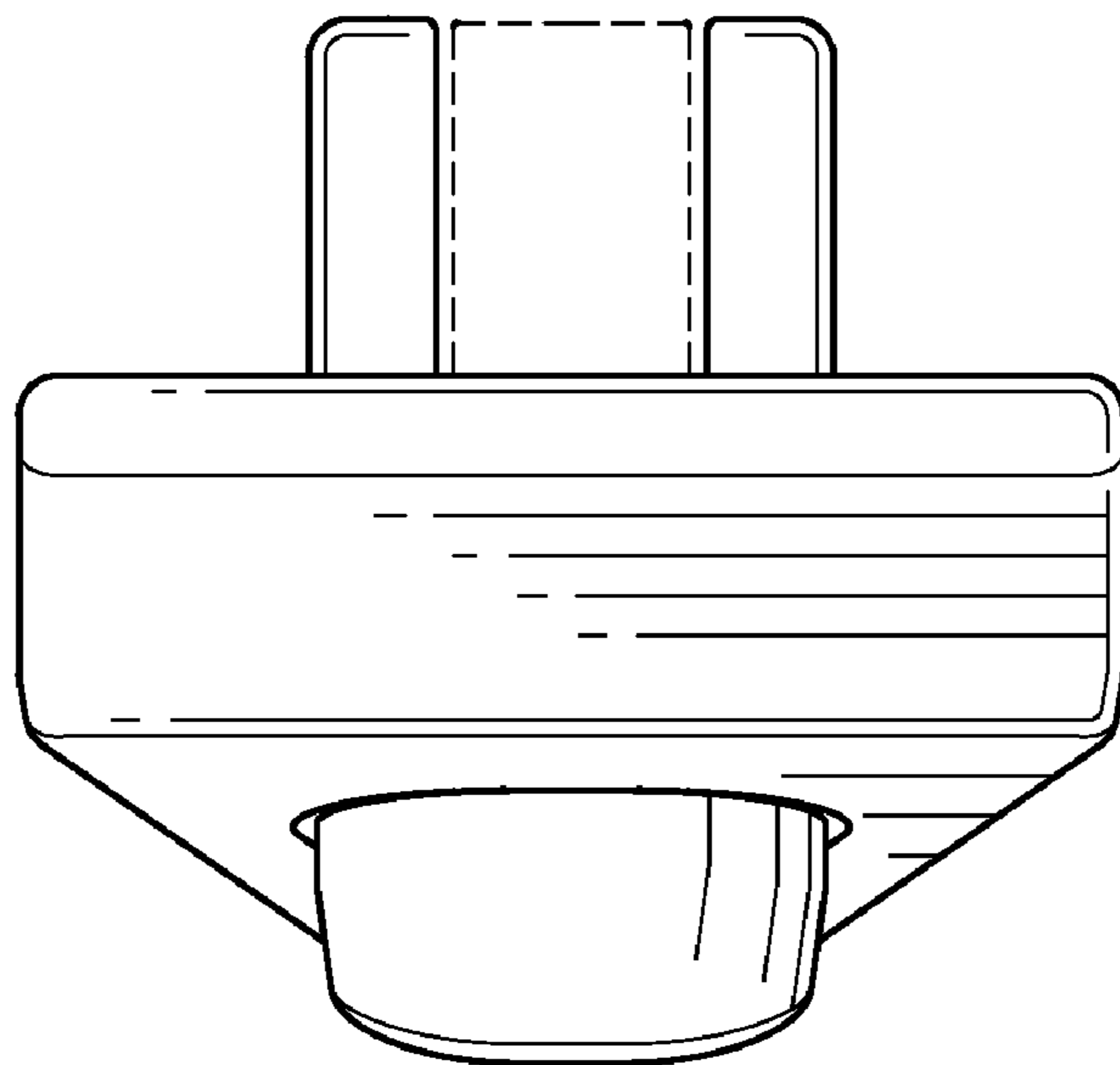
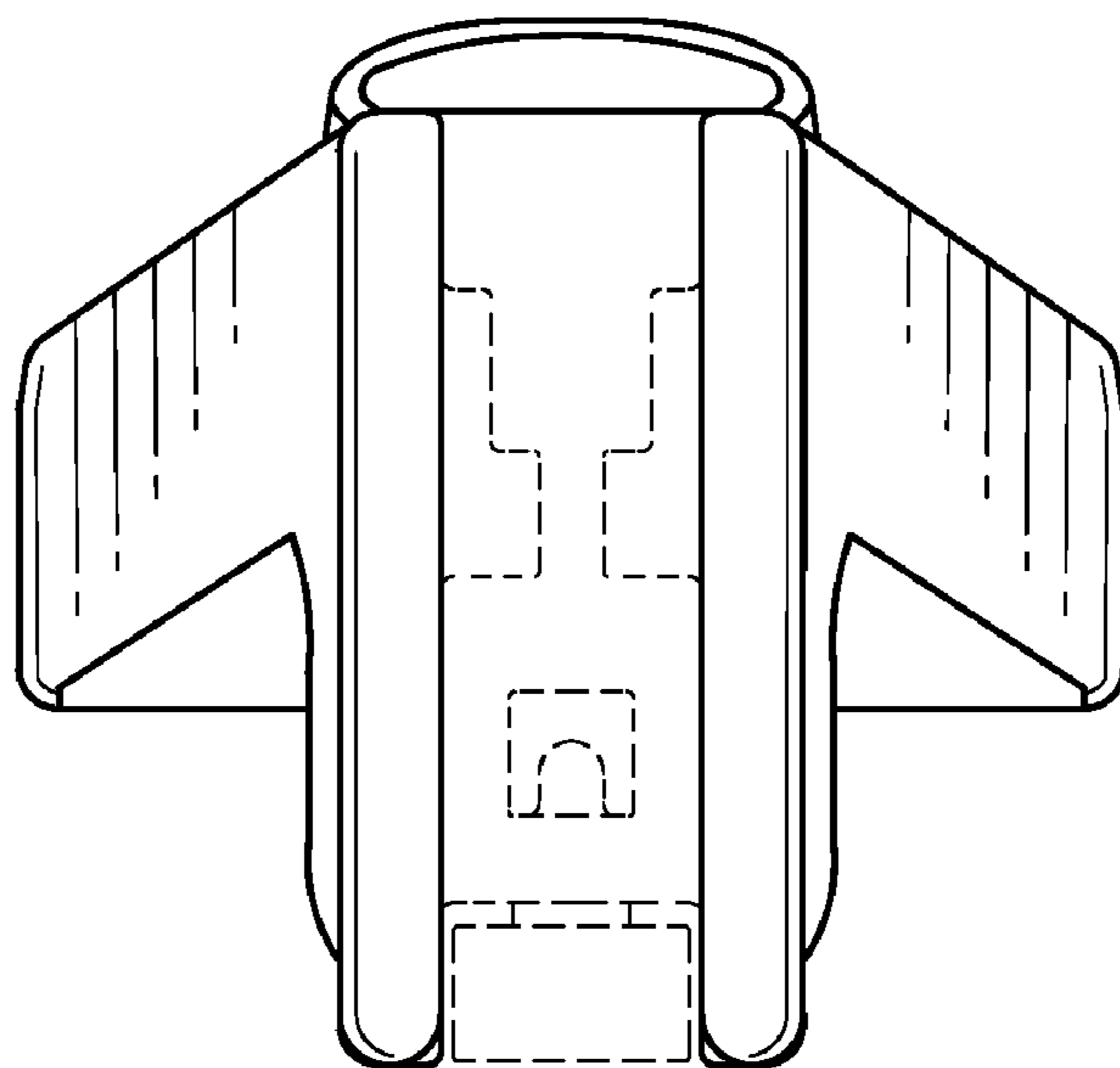


FIG. 4



**FIG. 5**



**FIG. 6**

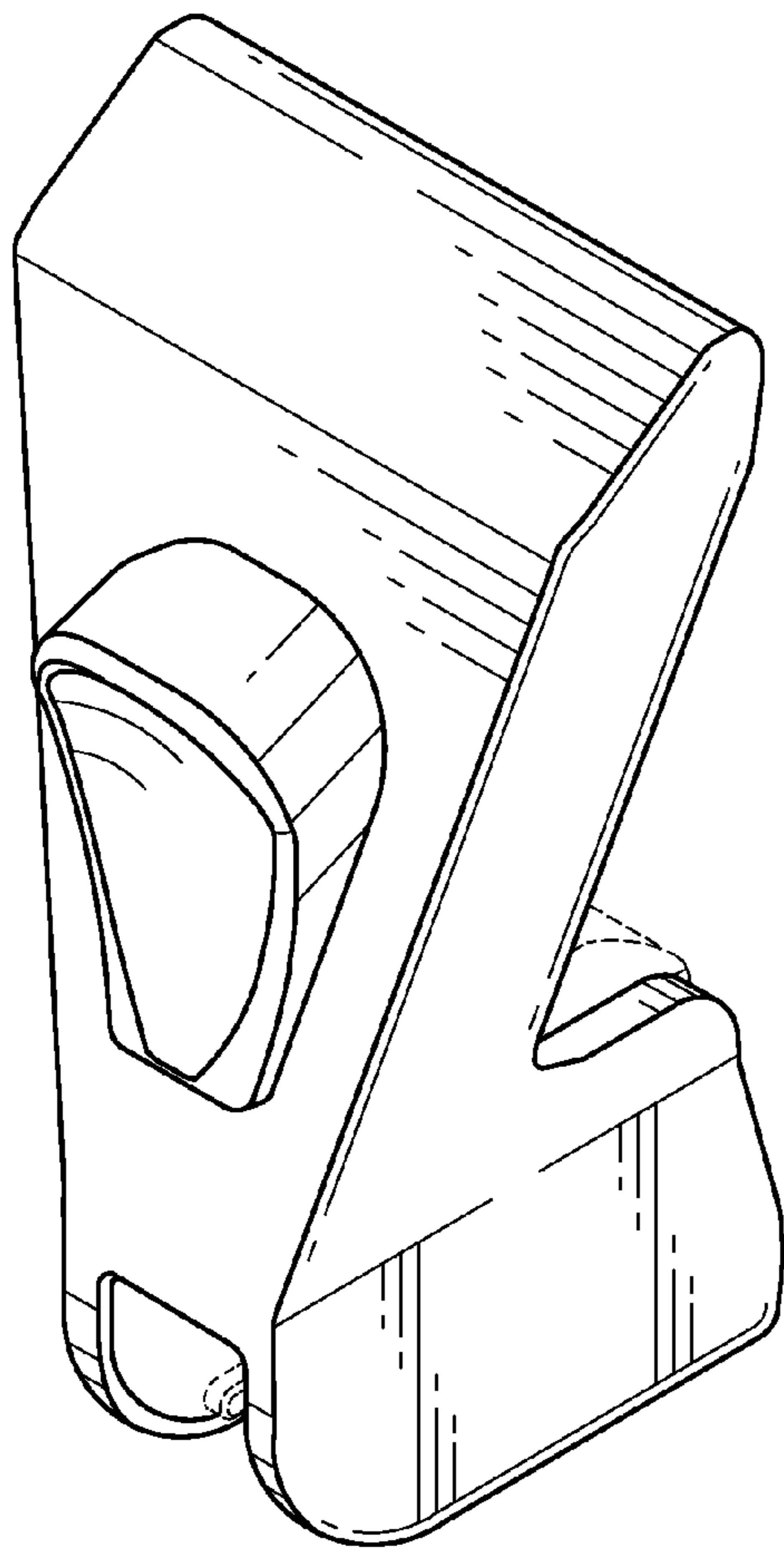


FIG. 8

FIG. 7

