

US00D632367S

(12) **United States Design Patent**
Stein

(10) **Patent No.:** **US D632,367 S**

(45) **Date of Patent:** **** Feb. 8, 2011**

(54) **FAUCET AND SHOWERHEAD STREAM FORMER**

(75) Inventor: **Alexander Stein**, Ihringen (DE)

(73) Assignee: **Neoperl GmbH**, Mullheim (DE)

(**) Term: **14 Years**

(21) Appl. No.: **29/350,170**

(22) Filed: **Nov. 12, 2009**

(30) **Foreign Application Priority Data**

Jun. 23, 2009	(EM)	001147938-0002
Jun. 23, 2009	(EM)	001147938-0005
Jun. 23, 2009	(EM)	001147938-0006

(51) **LOC (9) Cl.** **23-01**

(52) **U.S. Cl.** **D23/249**

(58) **Field of Classification Search** D23/213,
D23/235-237, 244-249, 259, 260; 138/37,
138/40-42; 239/428.5, 552, 553, 553.5,
239/3; 261/DIG. 22

See application file for complete search history.

(56) **References Cited**

U.S. PATENT DOCUMENTS

D533,923 S *	12/2006	Grether	D23/249
D604,806 S *	11/2009	Blum	D23/233
D609,783 S *	2/2010	Blum	D23/249
D609,784 S *	2/2010	Grether	D23/249
D614,735 S *	4/2010	Grether	D23/249

* cited by examiner

Primary Examiner—Cathron C. Brooks

Assistant Examiner—Maurice Stevens

(74) *Attorney, Agent, or Firm*—Volpe and Koenig, PC

(57) **CLAIM**

The ornamental design for a faucet and showerhead stream former, as shown and described.

DESCRIPTION

FIG. 1 is a top, front perspective view of a faucet and showerhead stream former in accordance with my design;

FIG. 2 is a bottom, front view thereof;

FIG. 3 is a top plan view thereof;

FIG. 4 is a bottom view thereof;

FIG. 5 is a left side elevational view thereof;

FIG. 6 is a right side elevational view thereof;

FIG. 7 is a front elevational view thereof; and

FIG. 8 is a rear elevational view thereof;

FIG. 9 is a top, front perspective view of a second embodiment of the faucet and showerhead stream former in accordance with my design;

FIG. 10 is a bottom, front perspective view thereof;

FIG. 11 is a top plan view thereof;

FIG. 12 is a bottom view thereof;

FIG. 13 is a left side elevational view thereof;

FIG. 14 is a right side elevational view thereof;

FIG. 15 is a front elevational view thereof; and

FIG. 16 is a rear elevational view thereof;

FIG. 17 is a top, front perspective view of a third embodiment of a faucet and showerhead stream former in accordance with my design;

FIG. 18 is a bottom, front perspective view thereof;

FIG. 19 is a top plan view thereof;

FIG. 20 is a bottom view thereof;

FIG. 21 is a left side elevational view thereof;

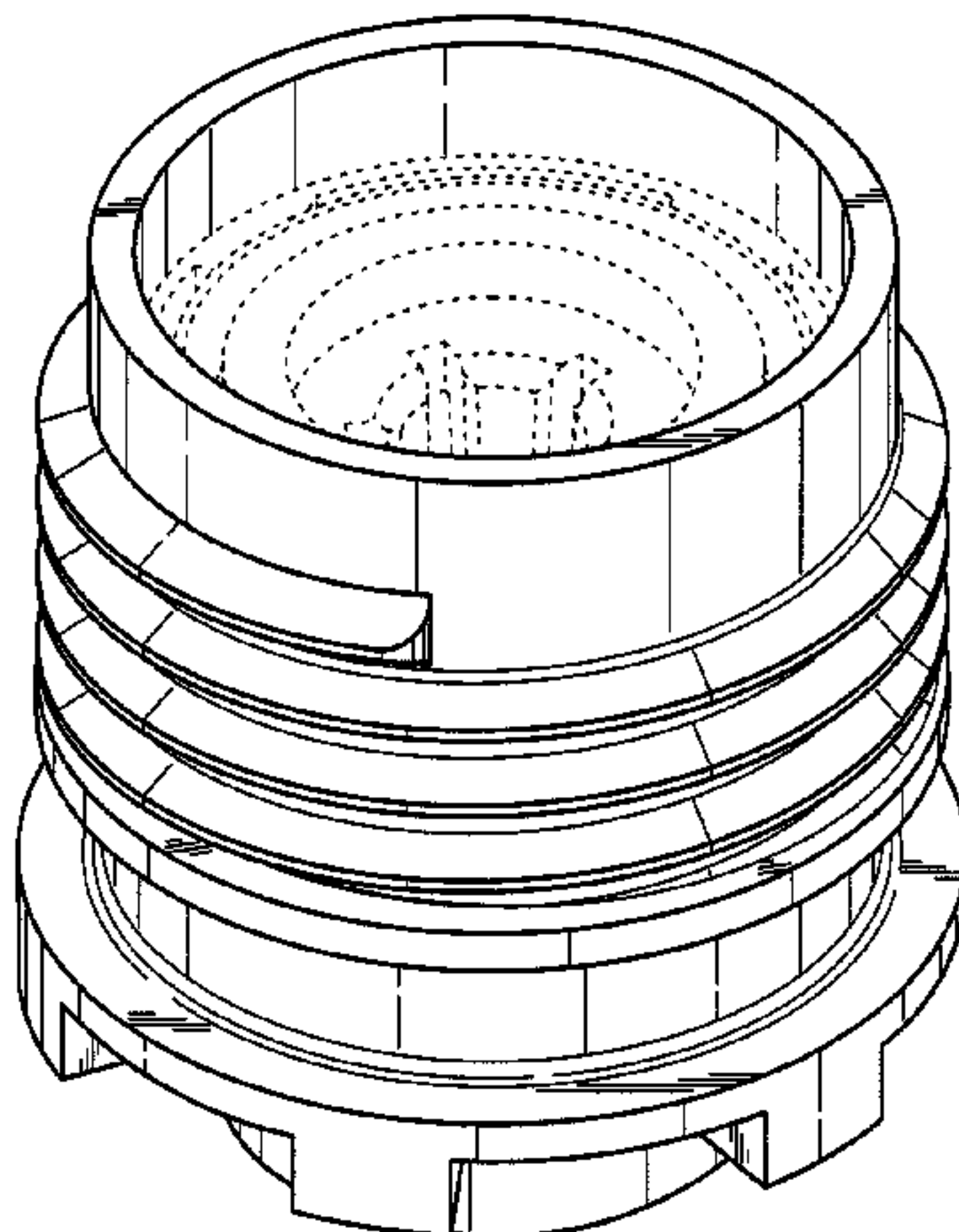
FIG. 22 is a right side elevational view thereof;

FIG. 23 is a front elevational view thereof; and,

FIG. 24 is a rear elevational view thereof.

The broken lines form no part of the claimed design.

1 Claim, 24 Drawing Sheets



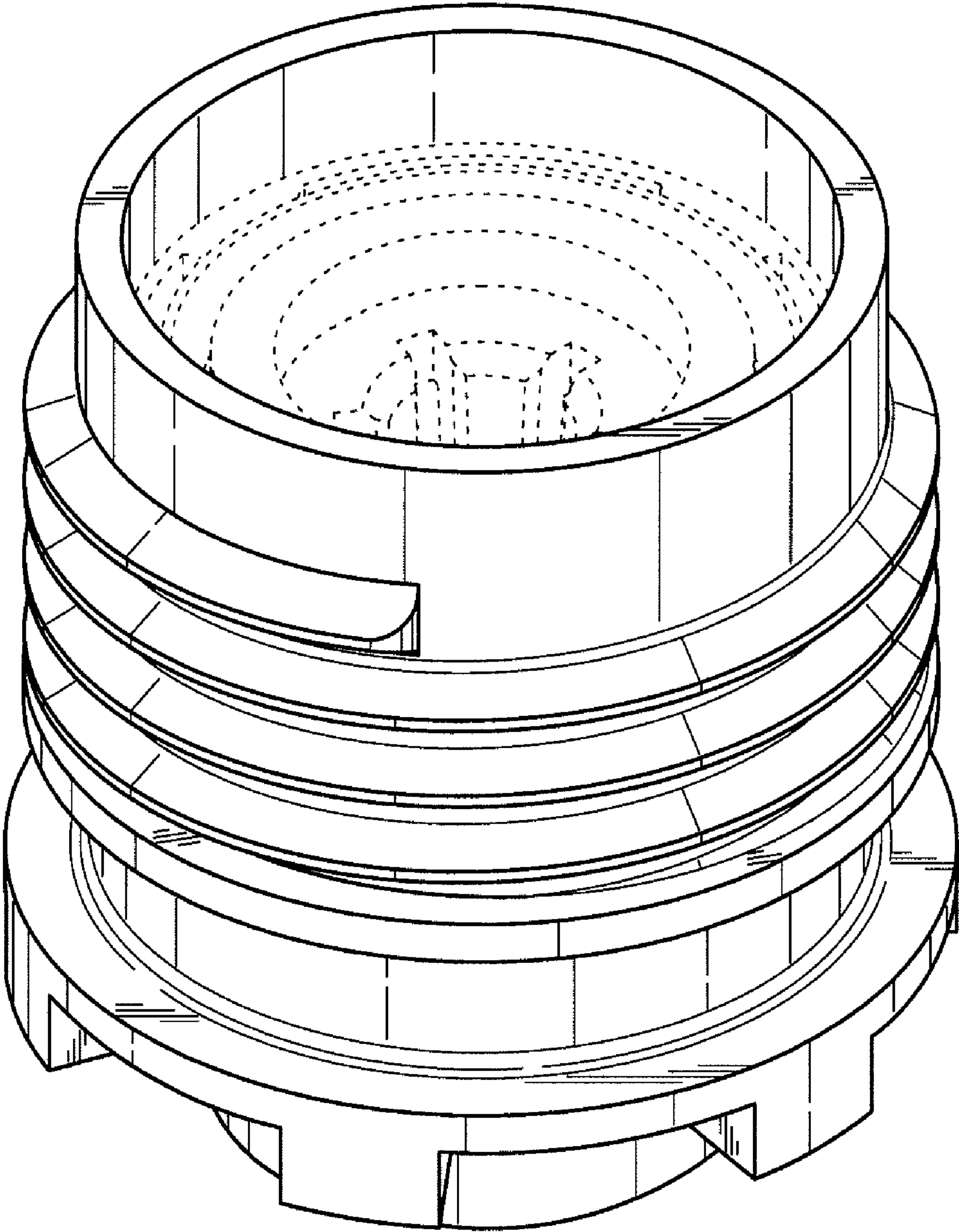


FIG. 1

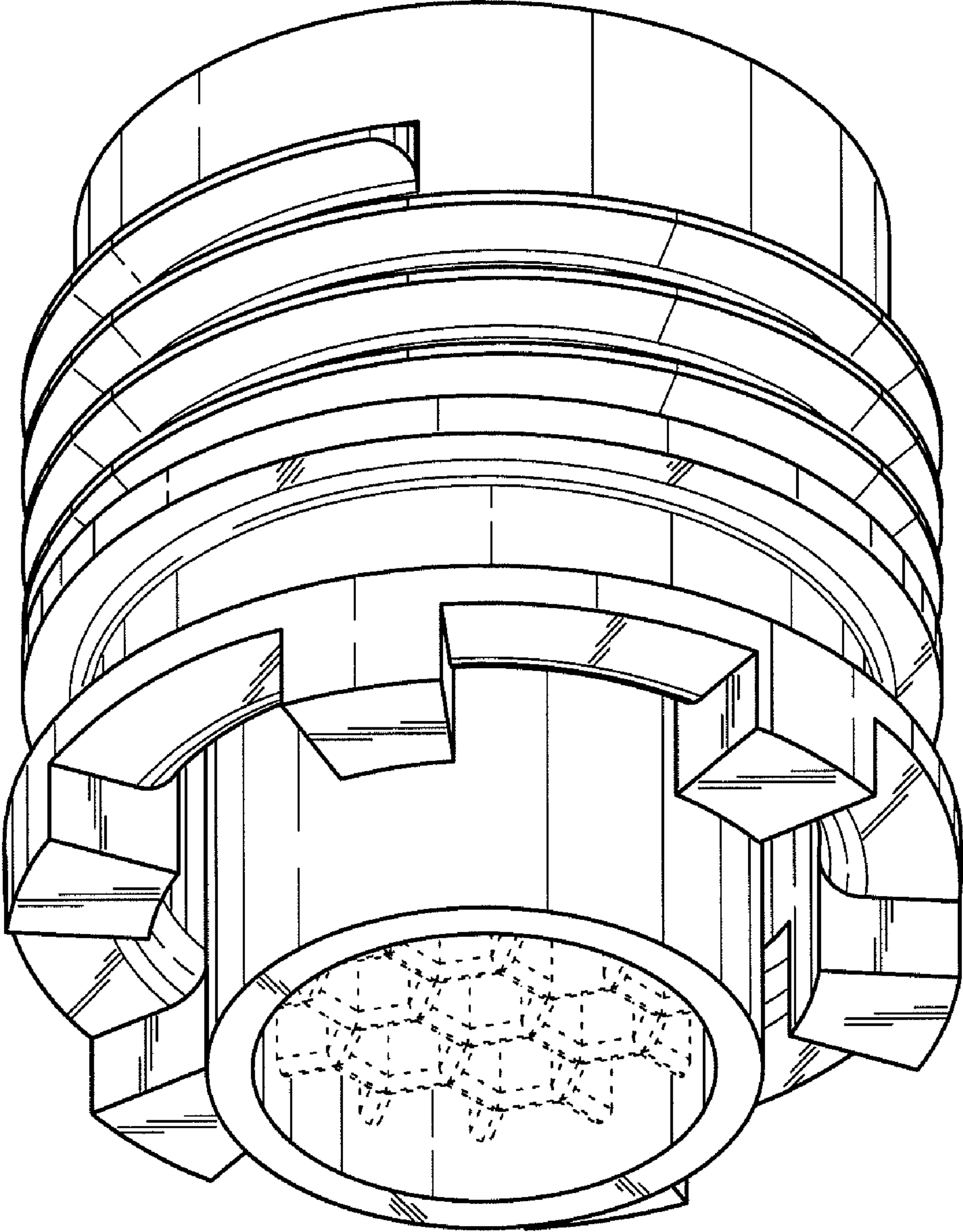


FIG. 2

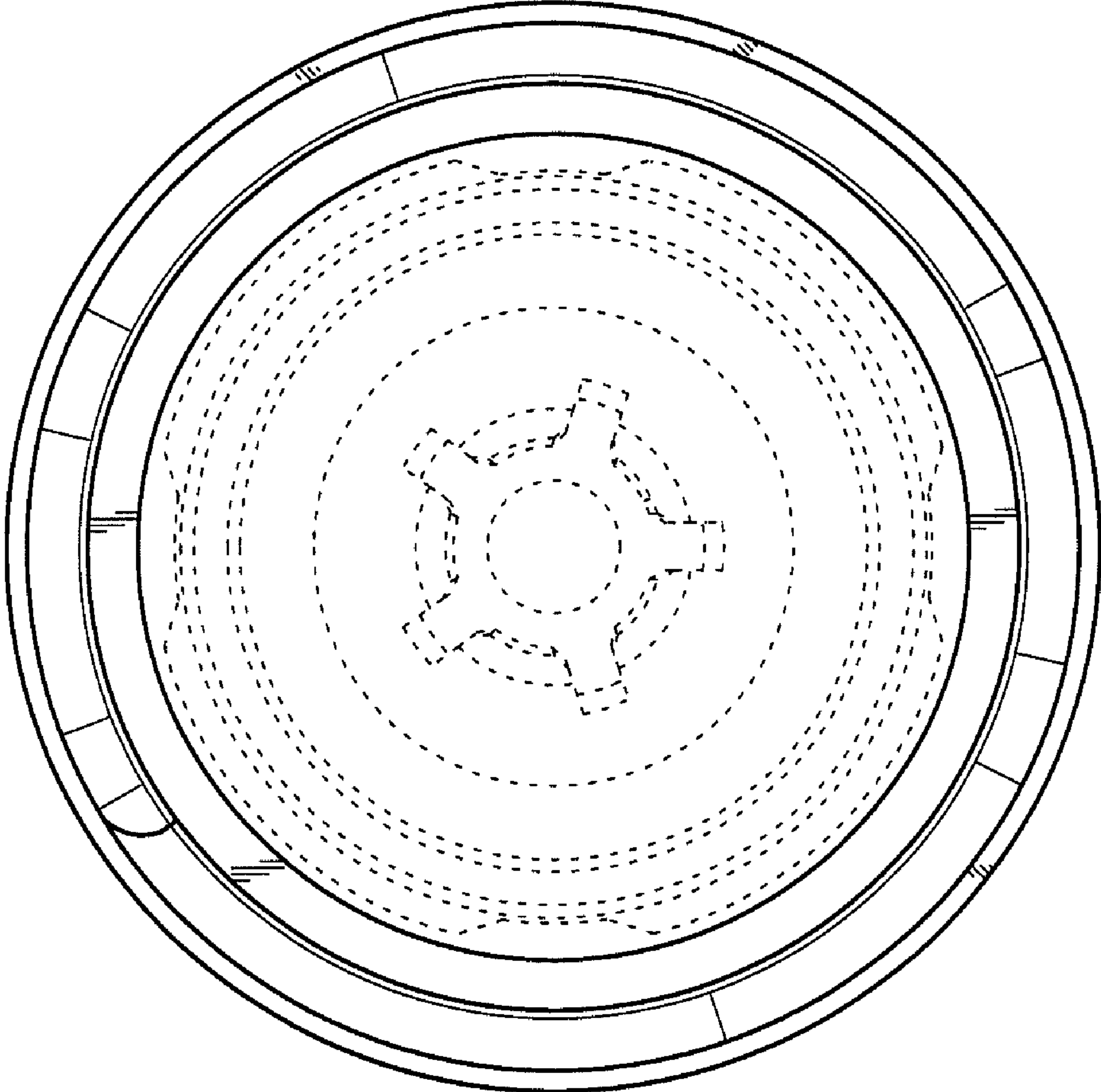


FIG. 3

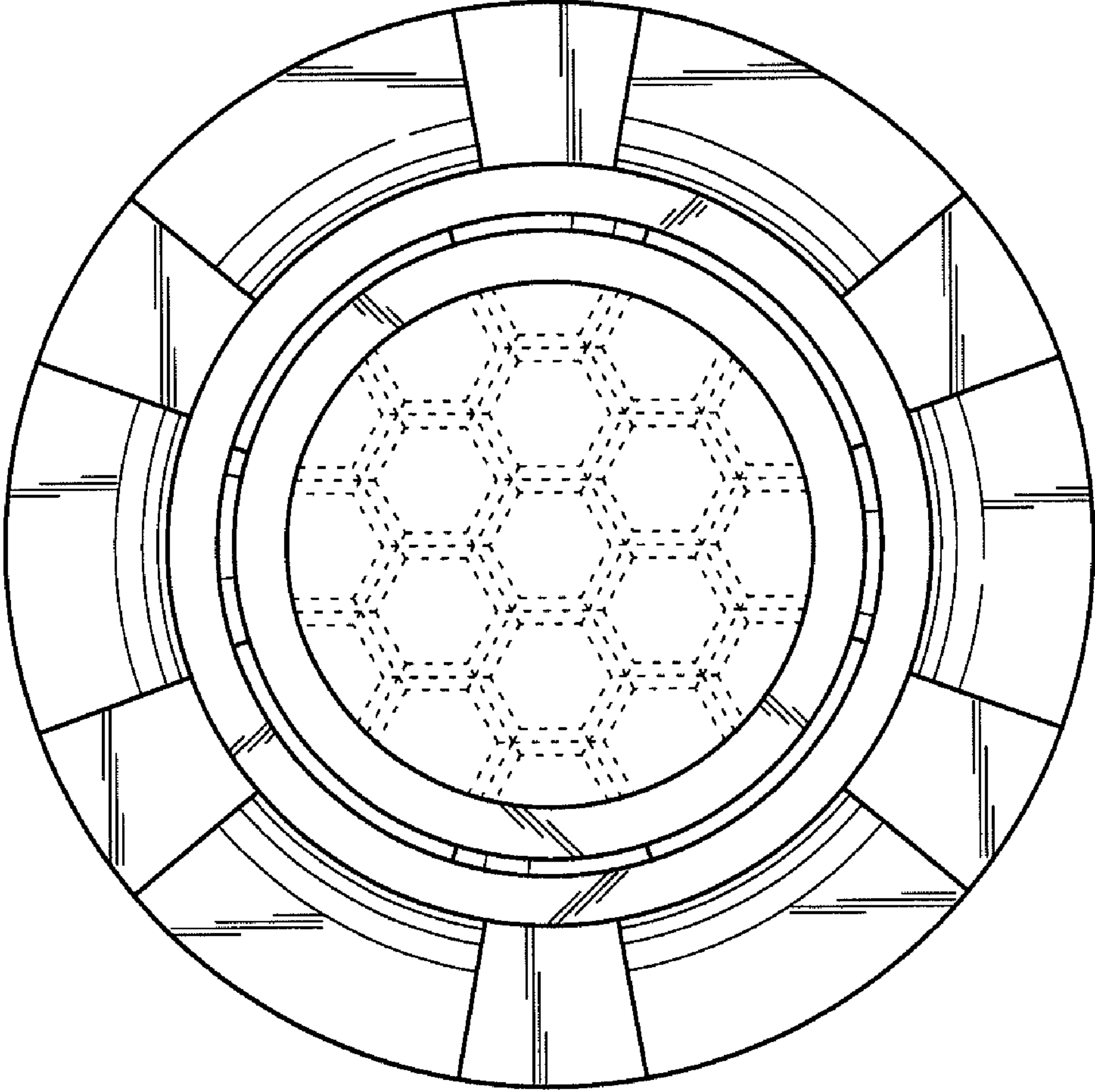


FIG. 4

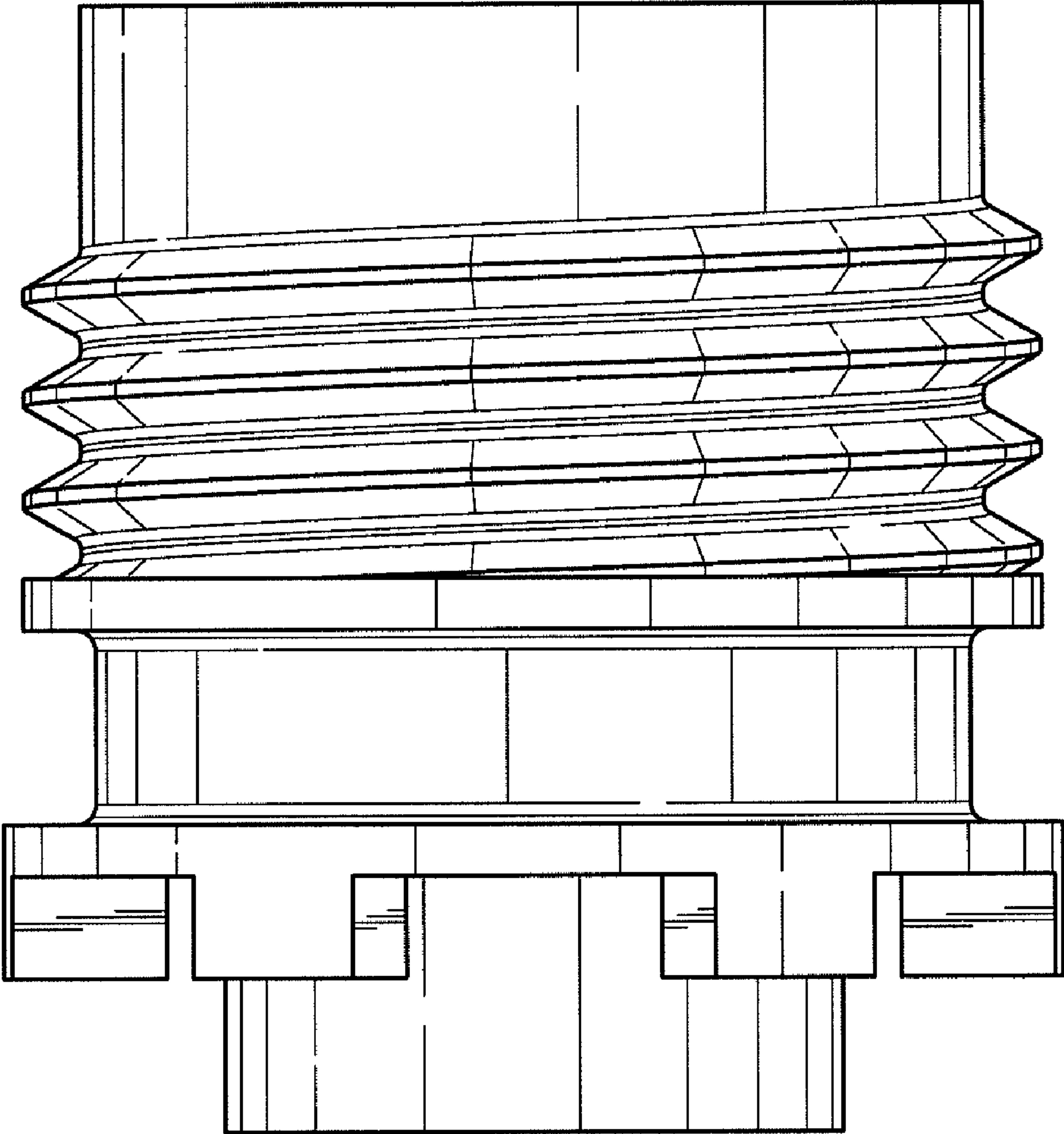


FIG. 5

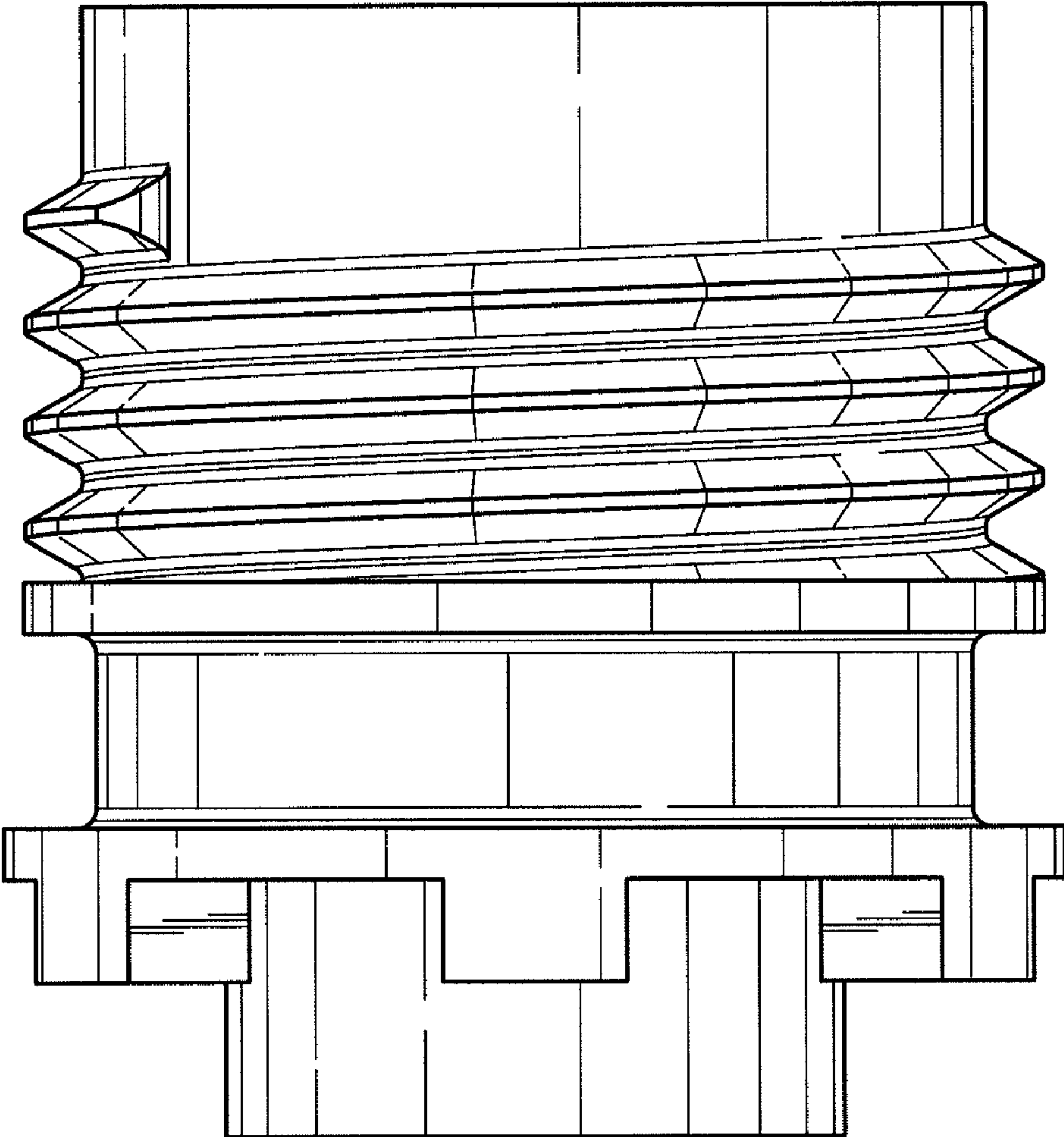


FIG. 6

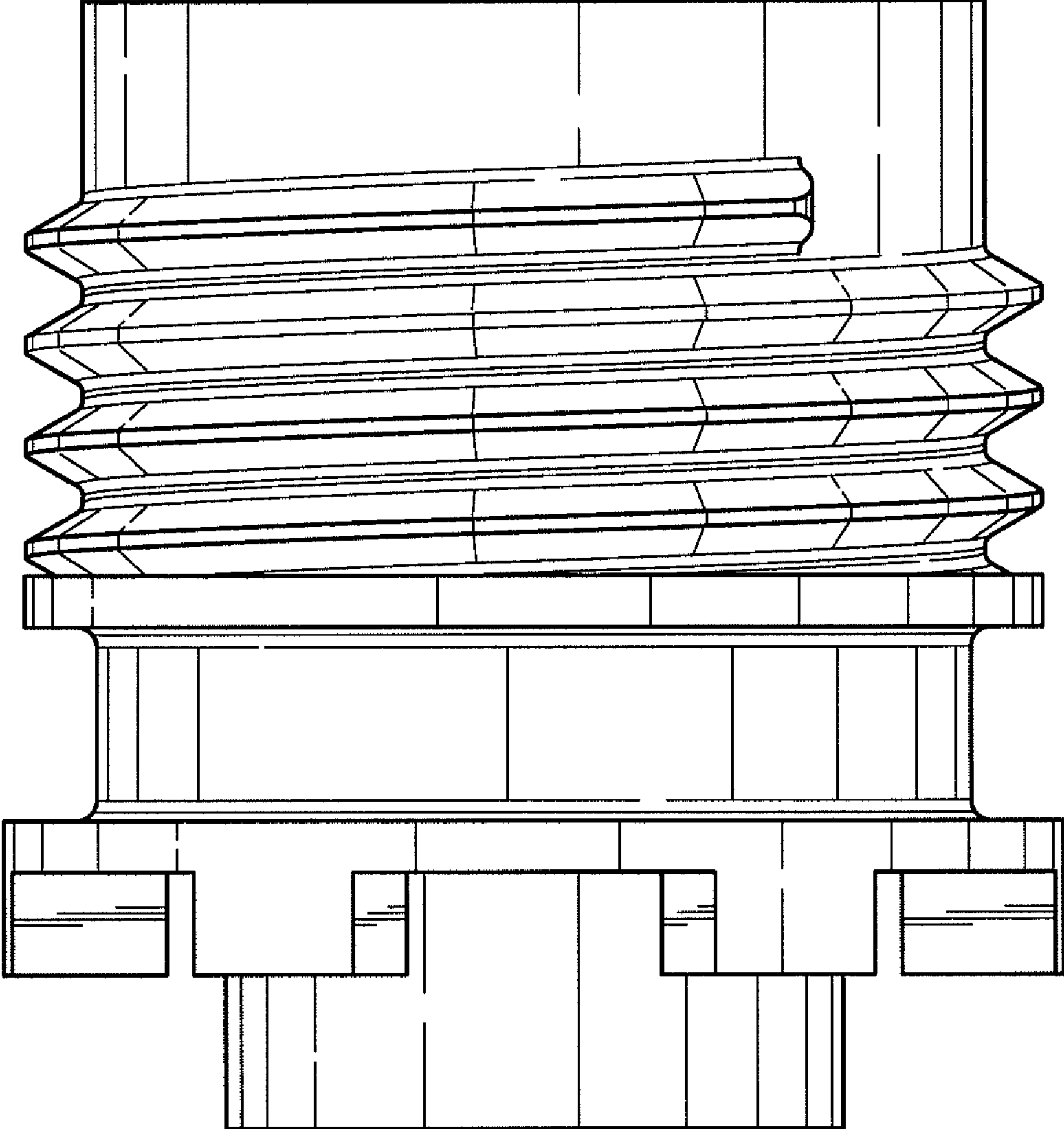


FIG. 7

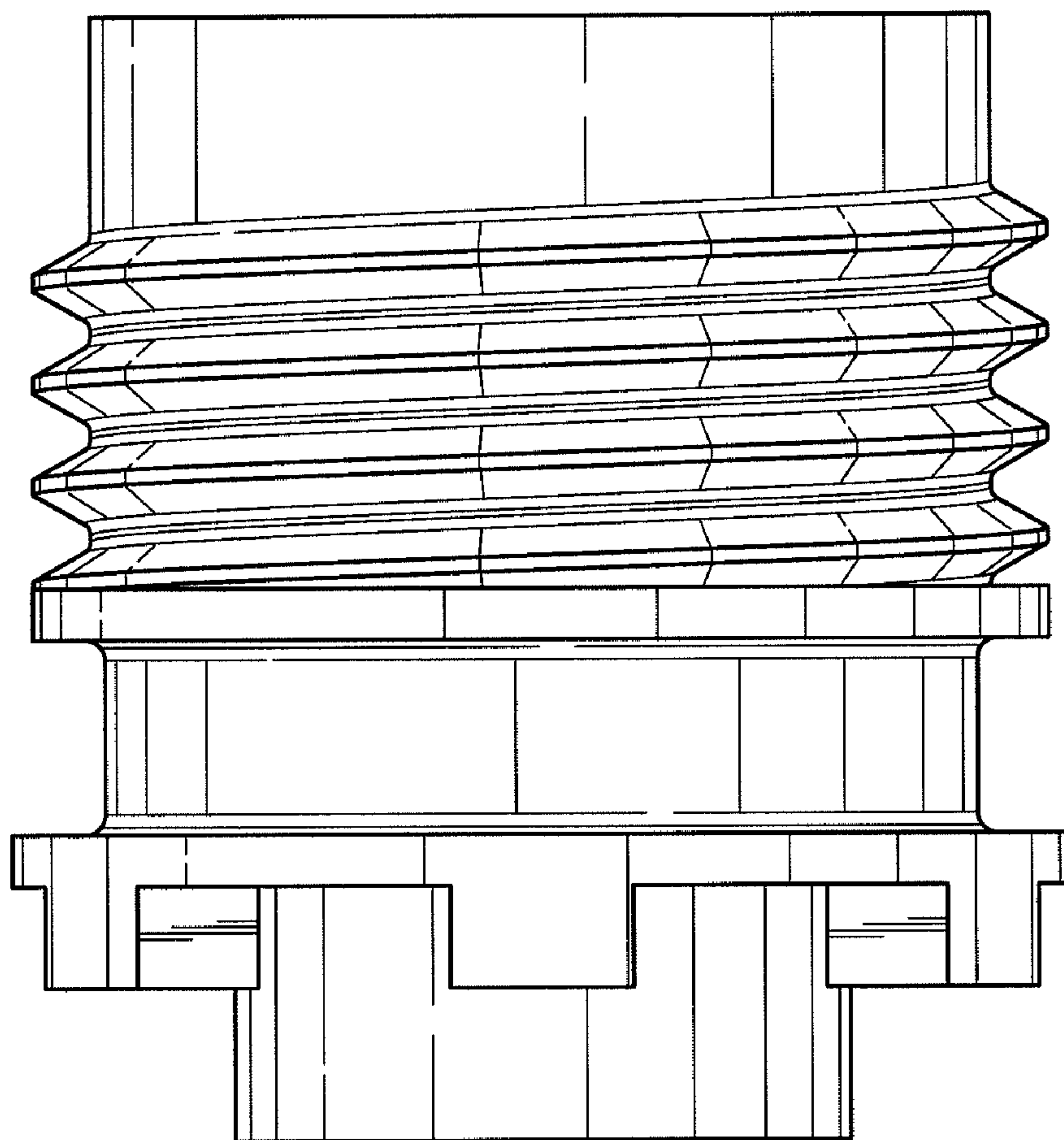


FIG. 8

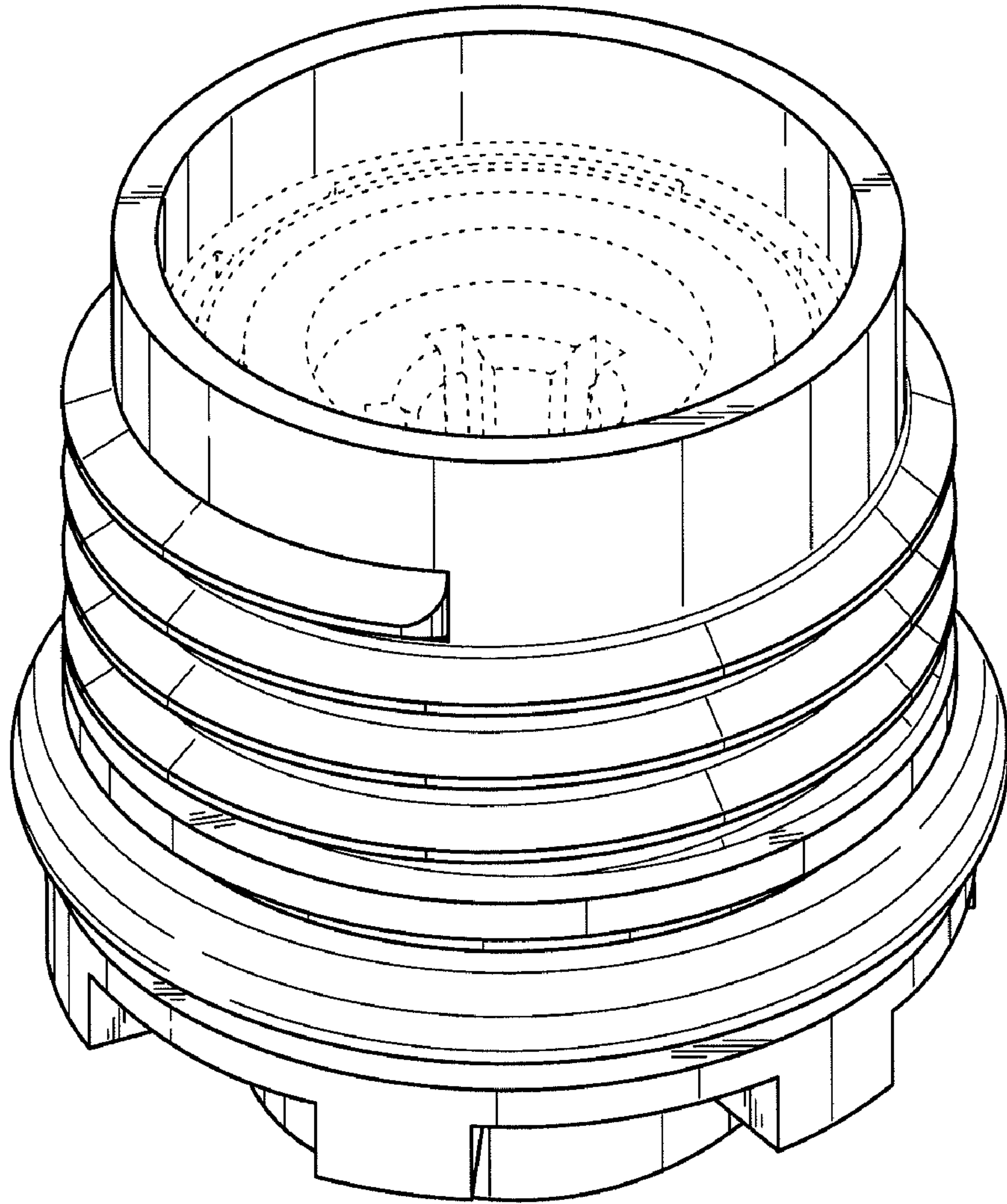


FIG. 9

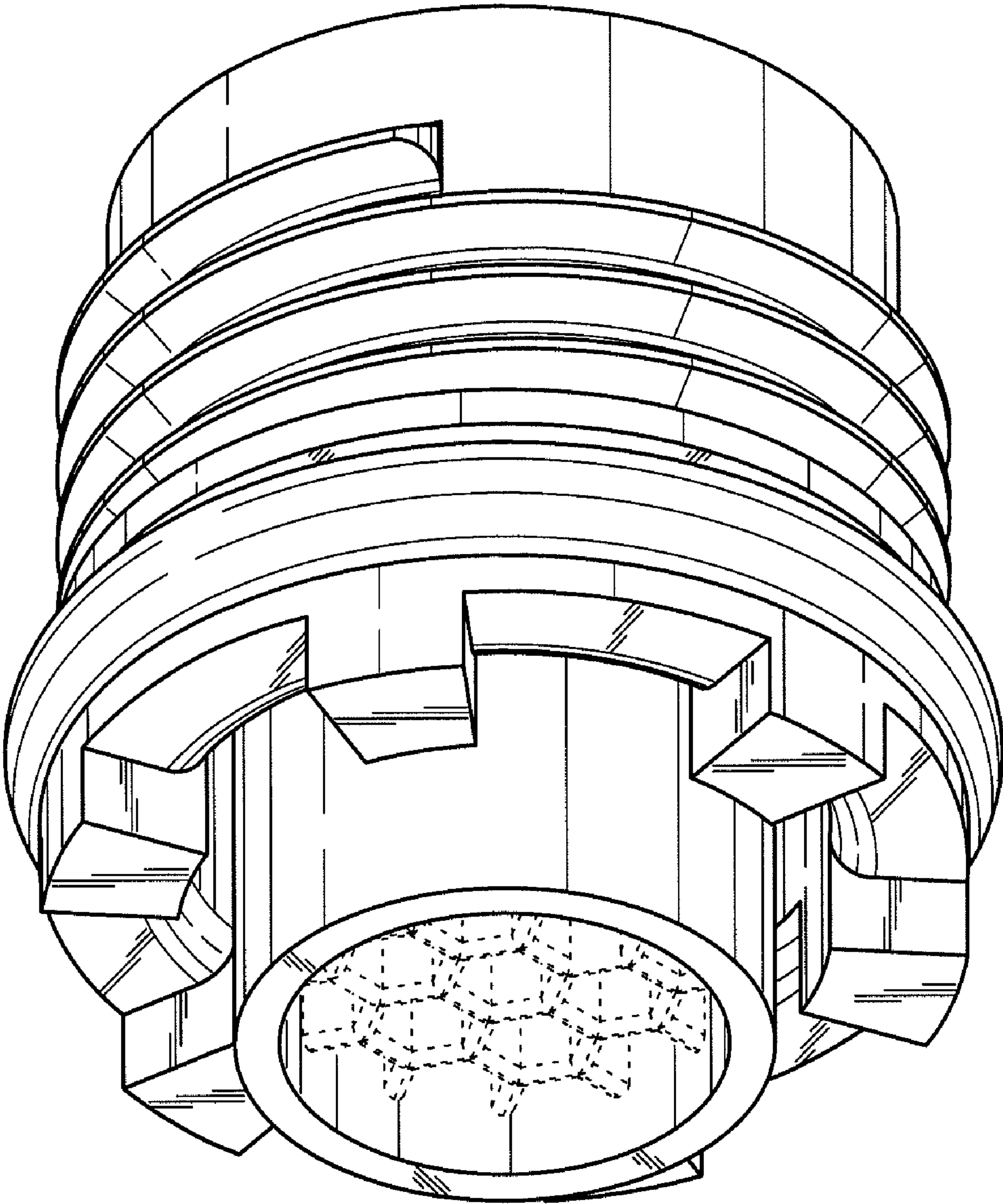


FIG. 10

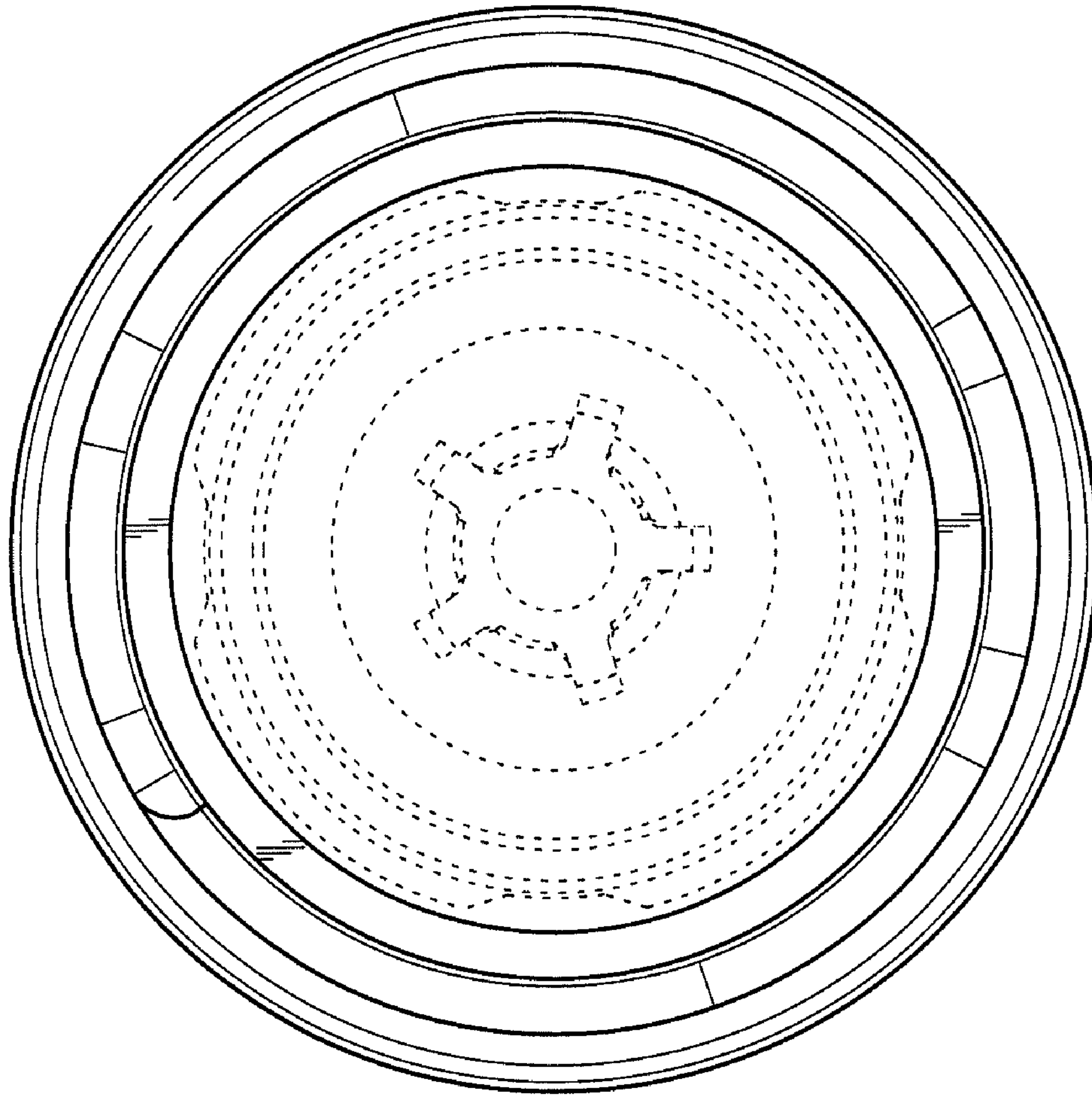


FIG. 11

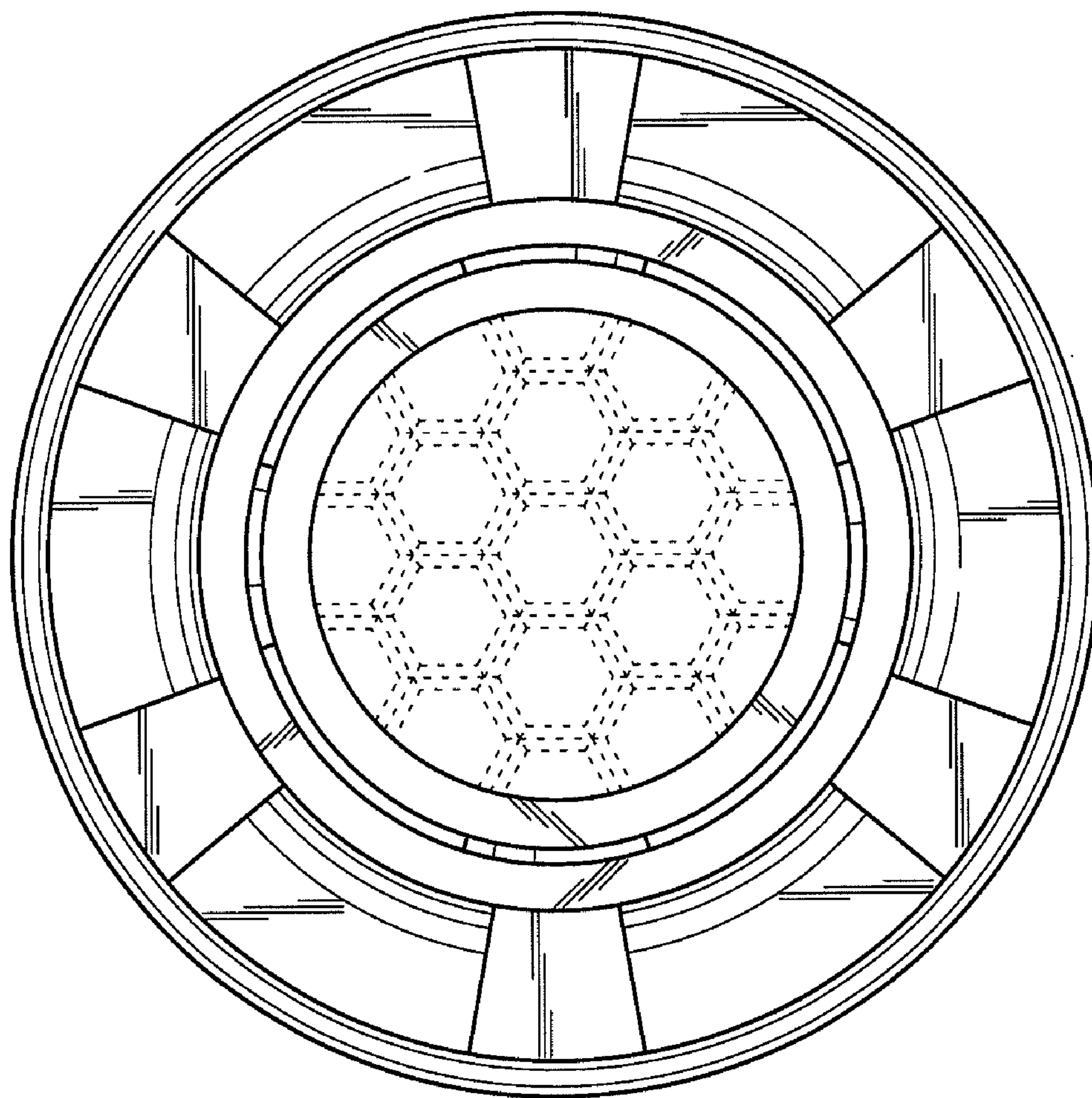


FIG. 12

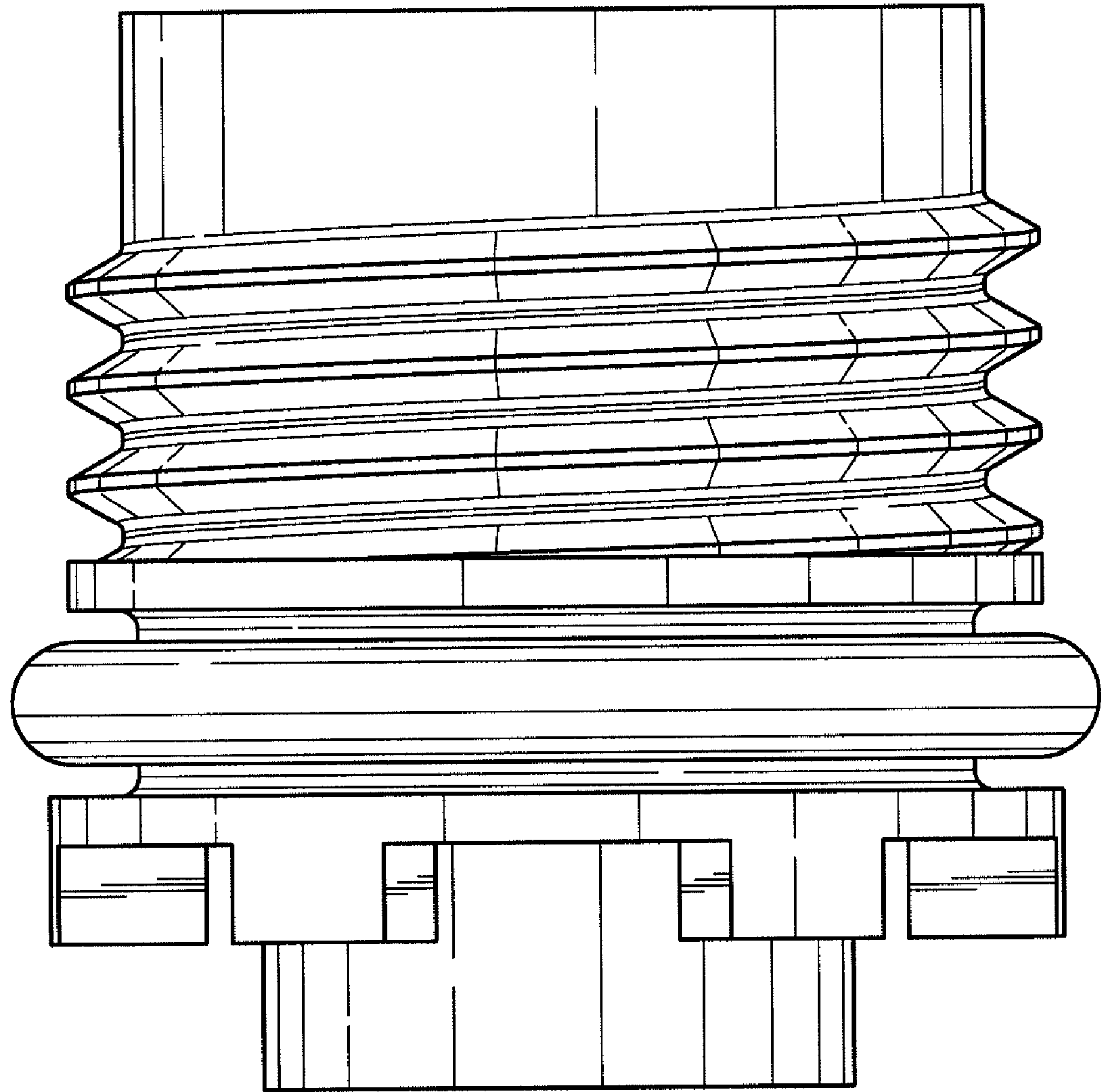


FIG. 13

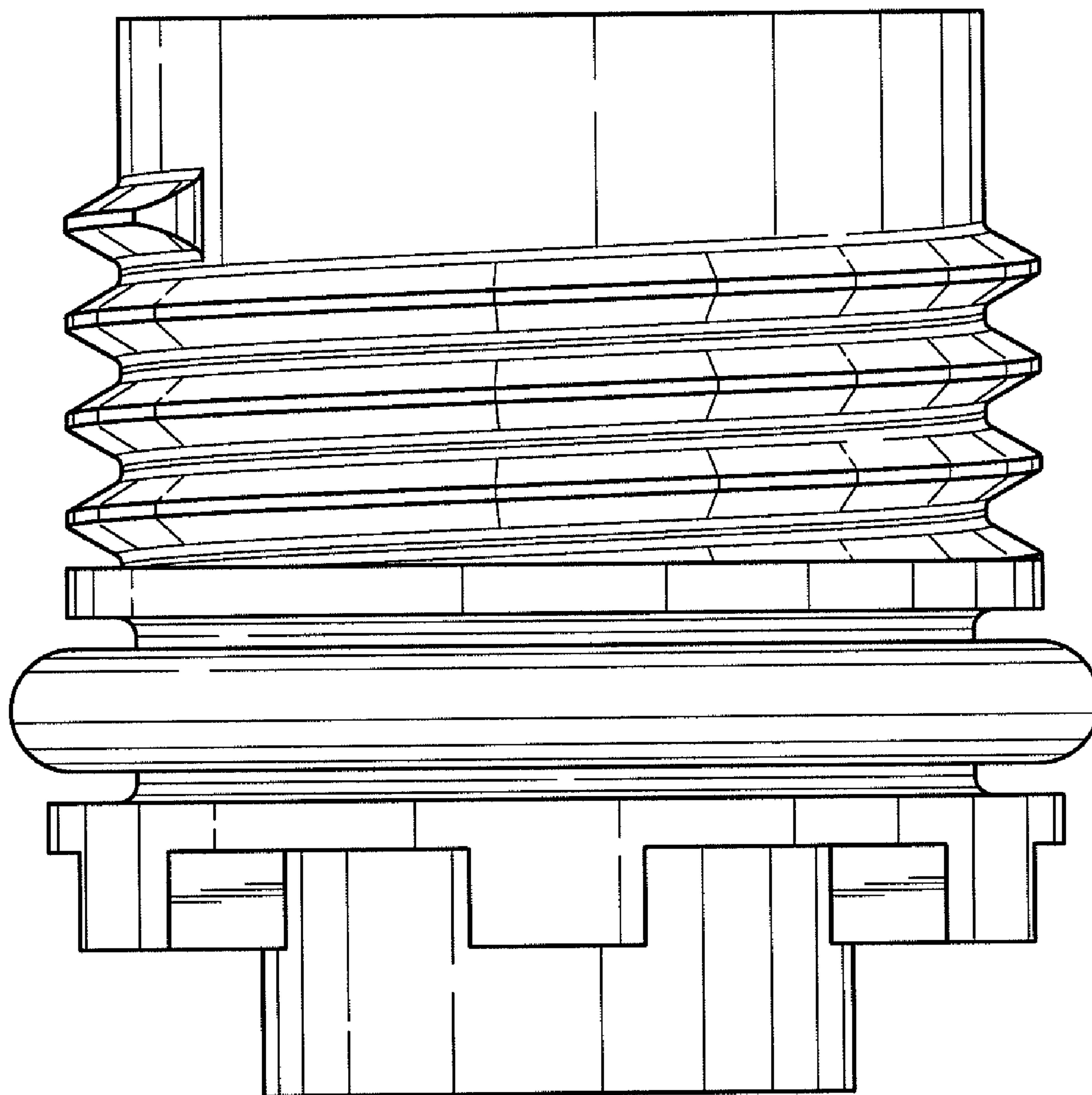


FIG. 14

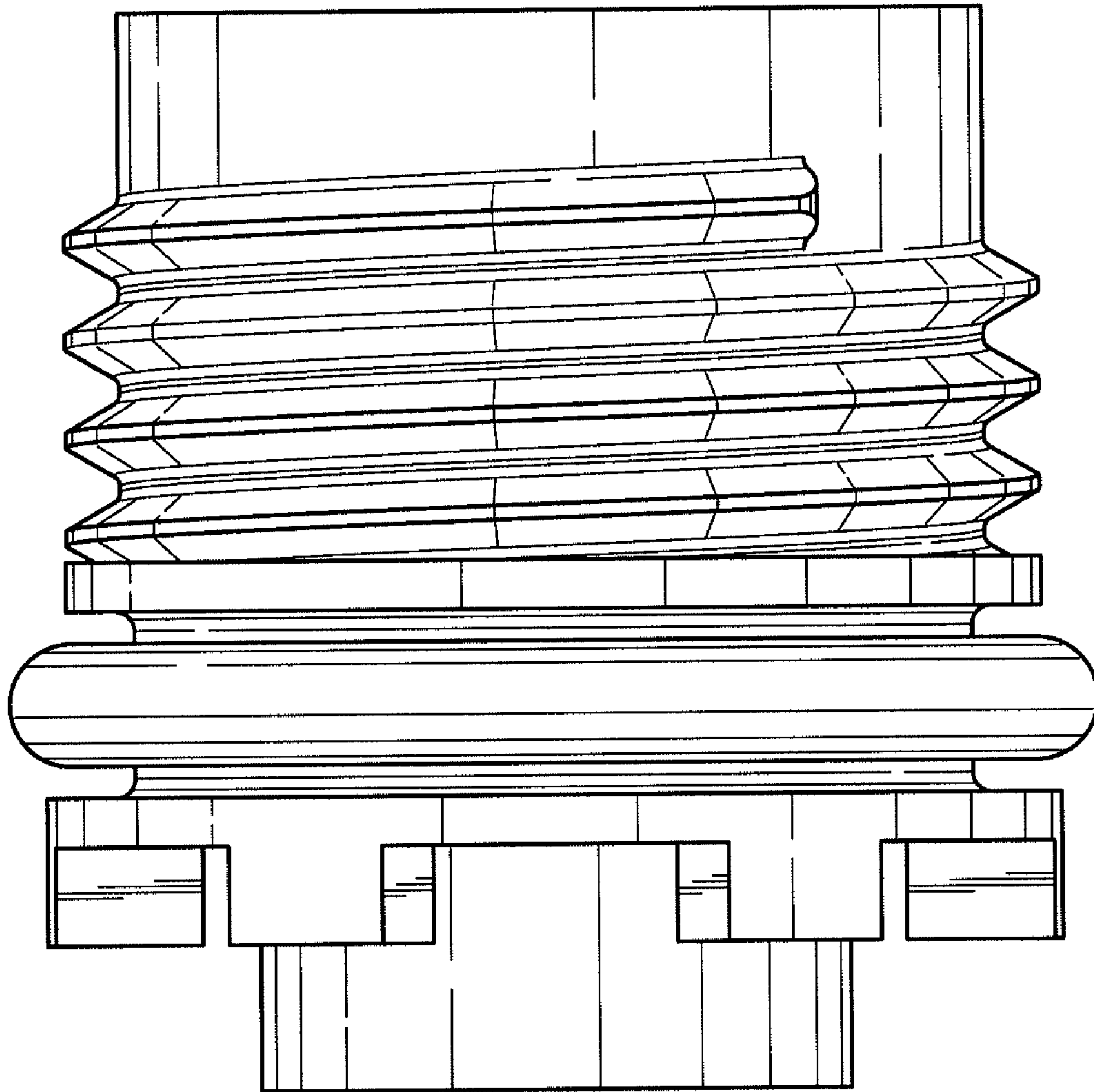


FIG. 15

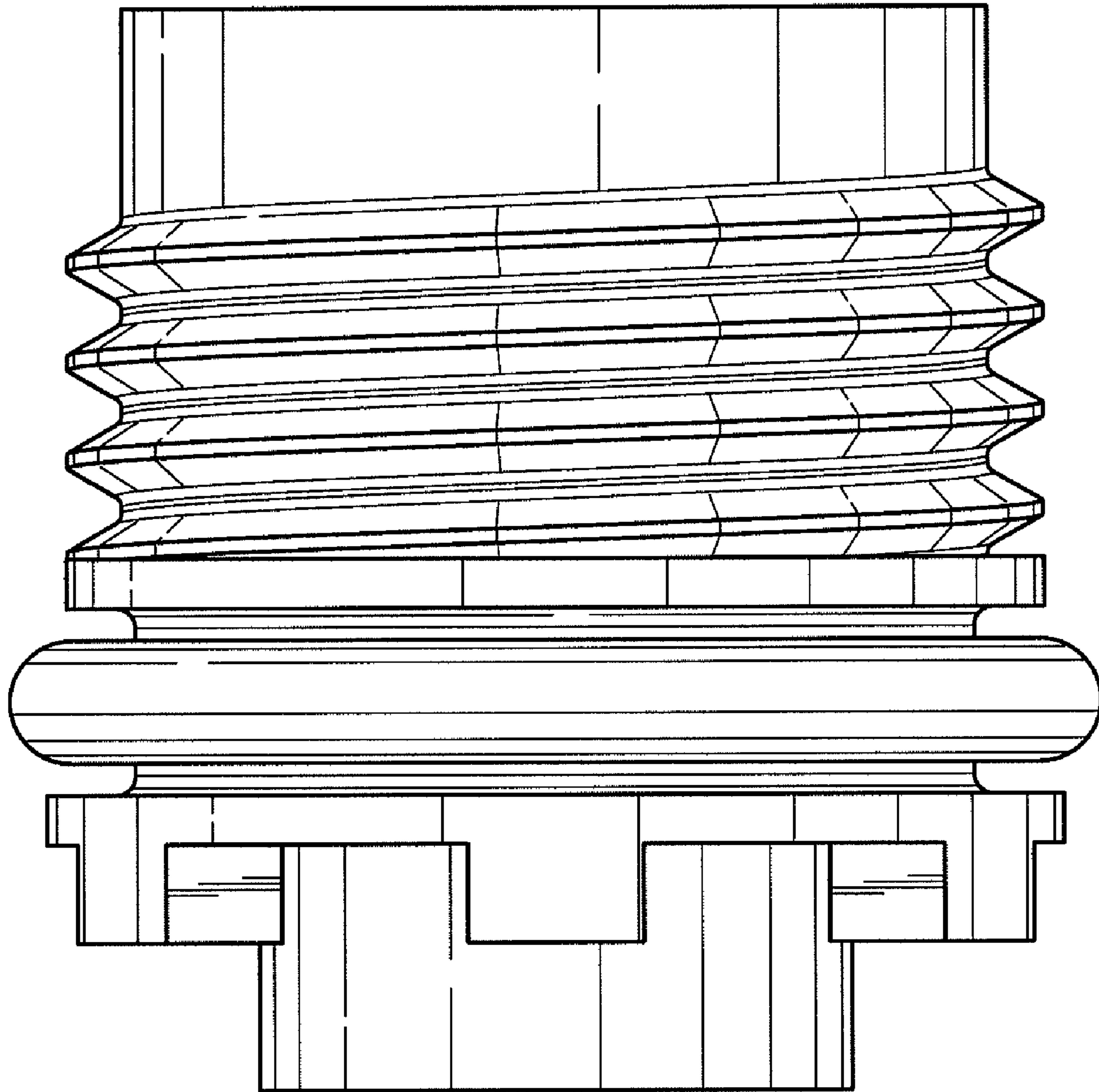


FIG. 16

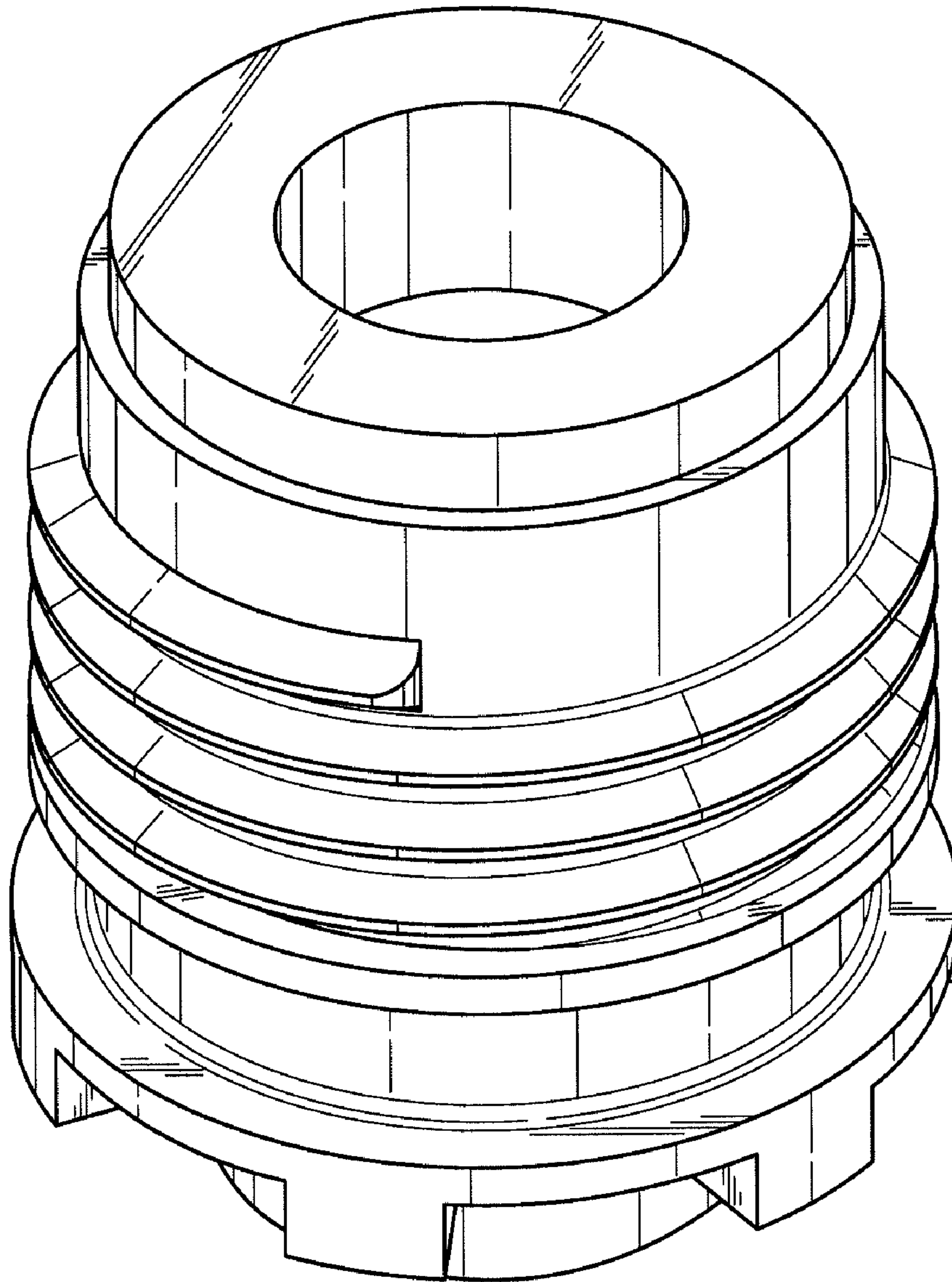


FIG. 17

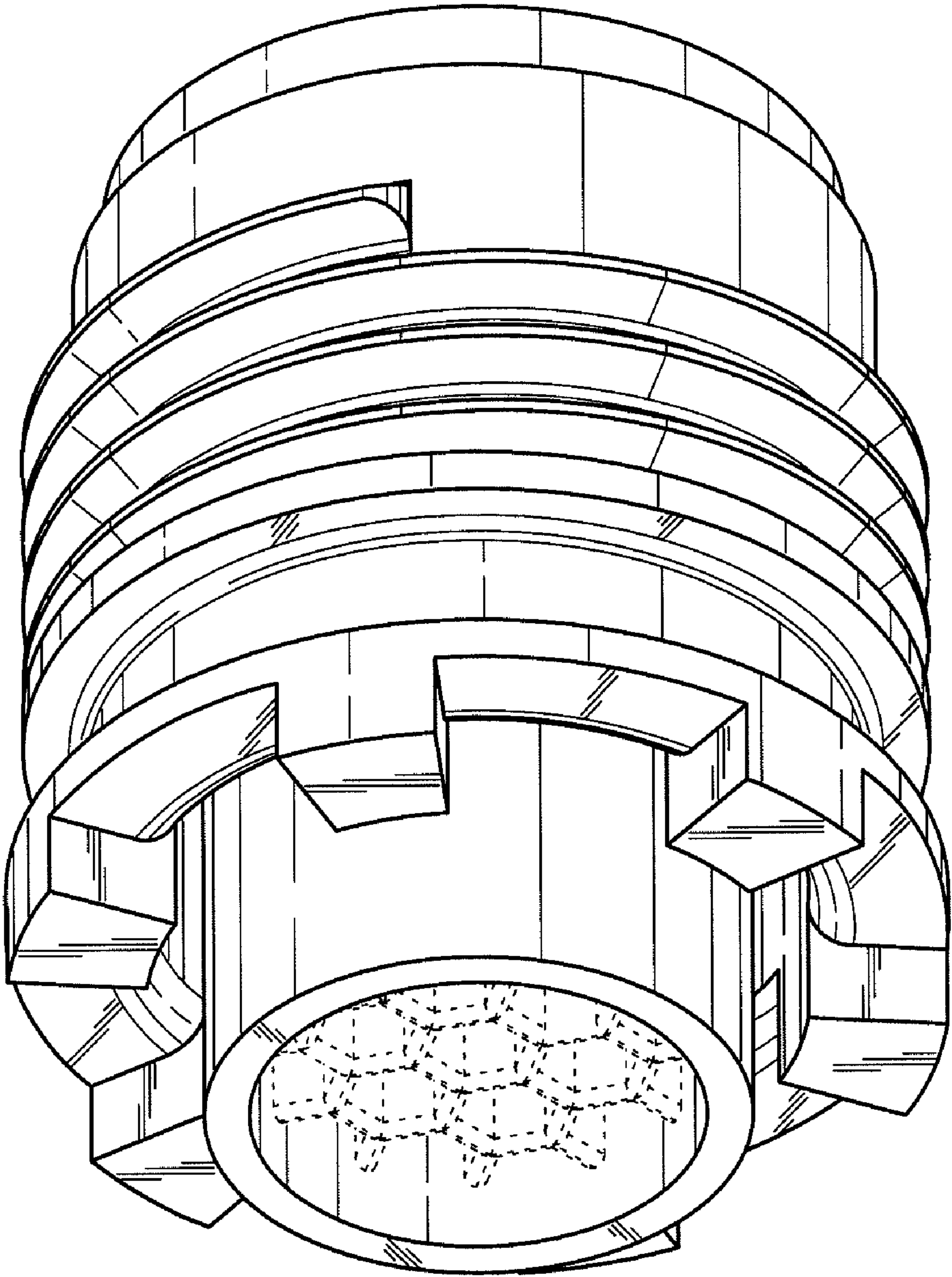


FIG. 18

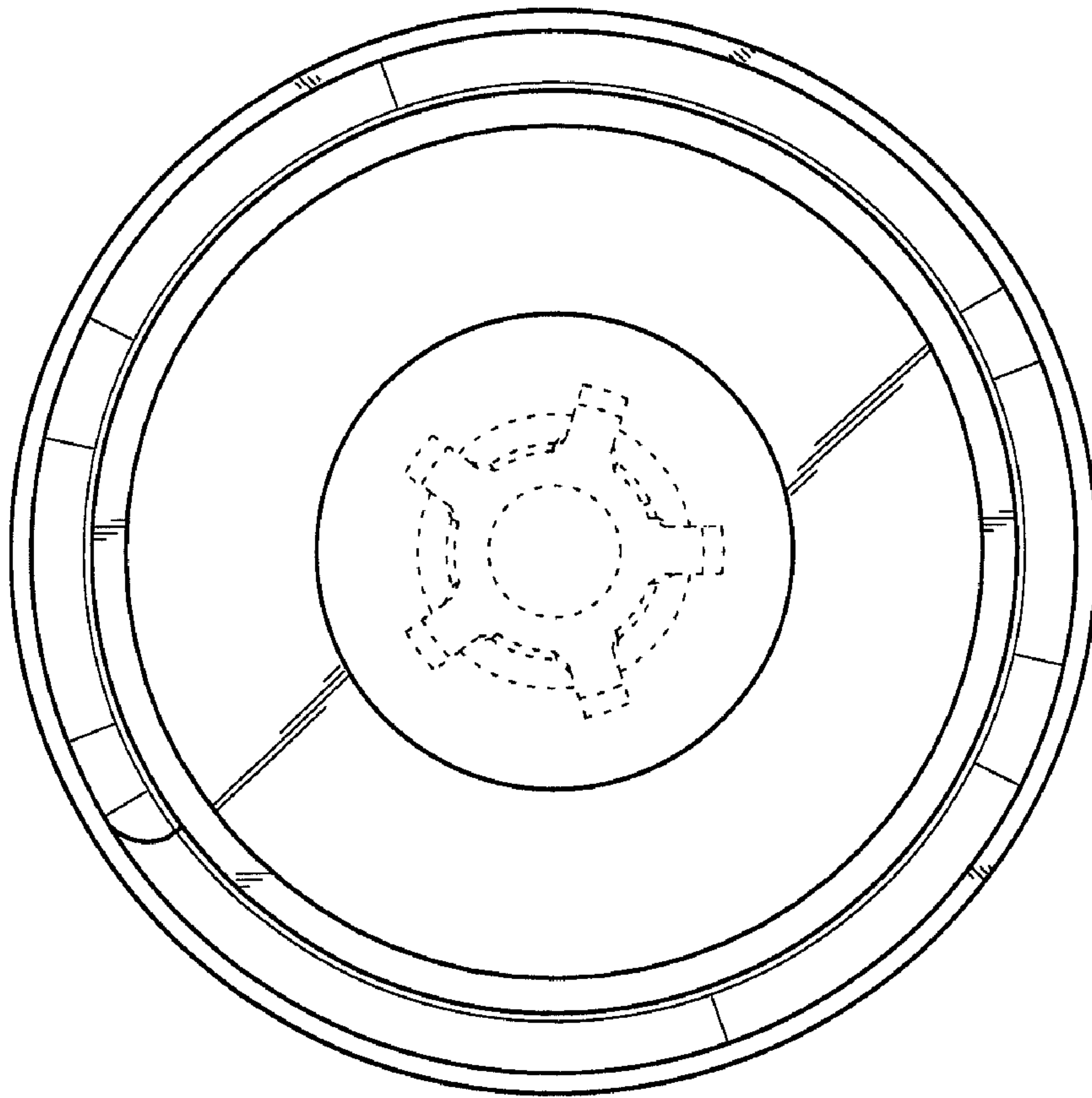


FIG. 19

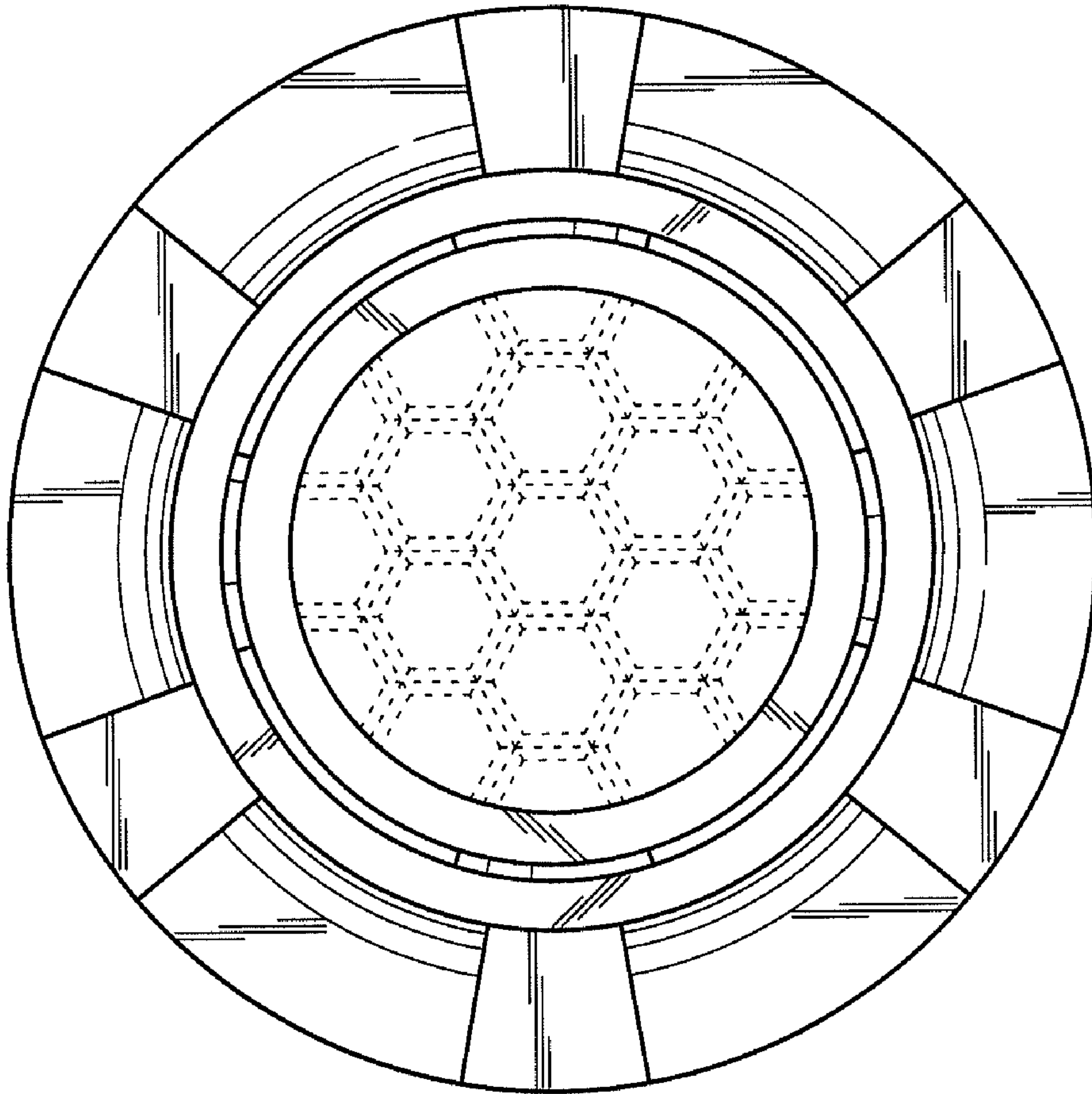


FIG. 20

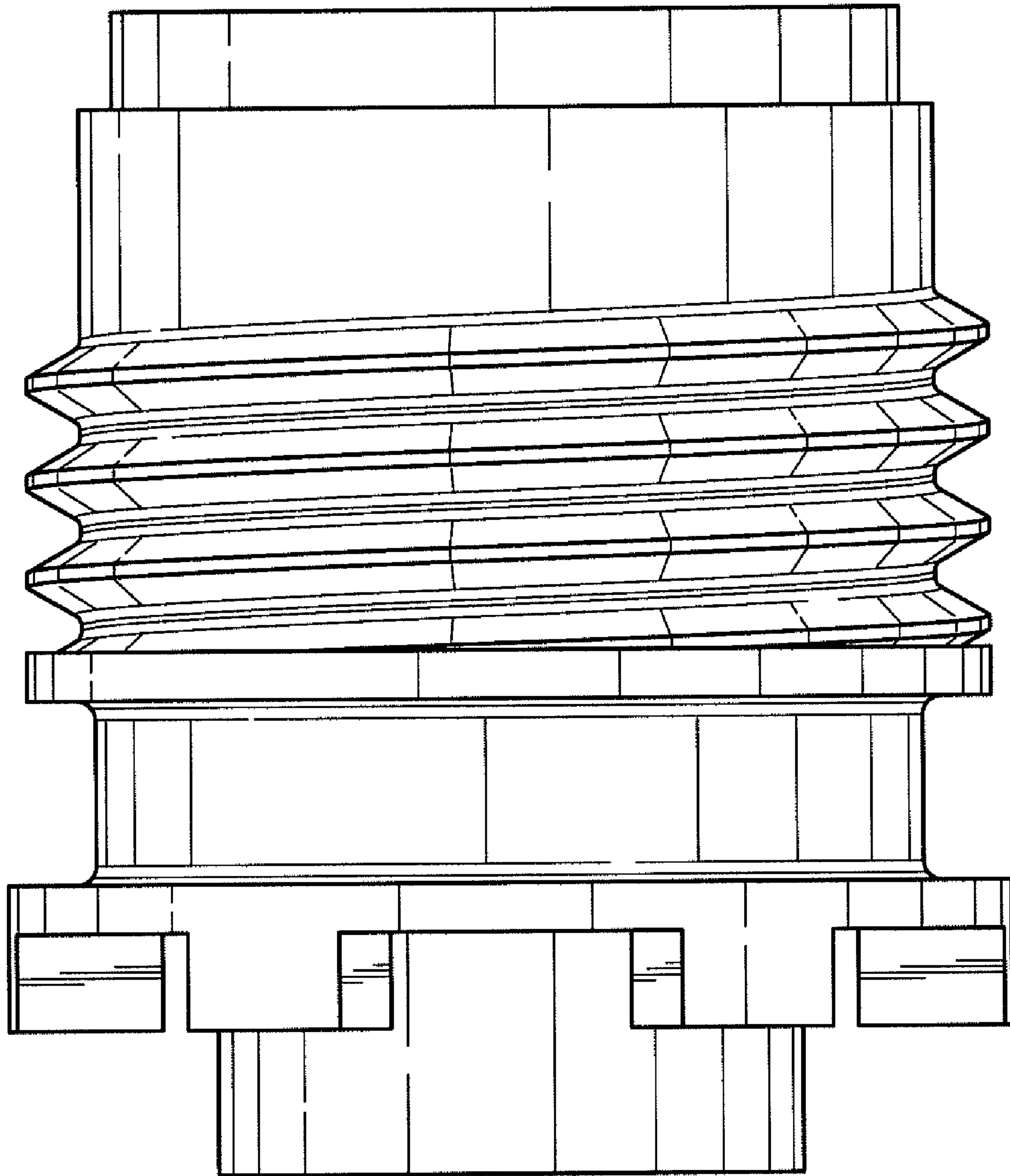


FIG. 21

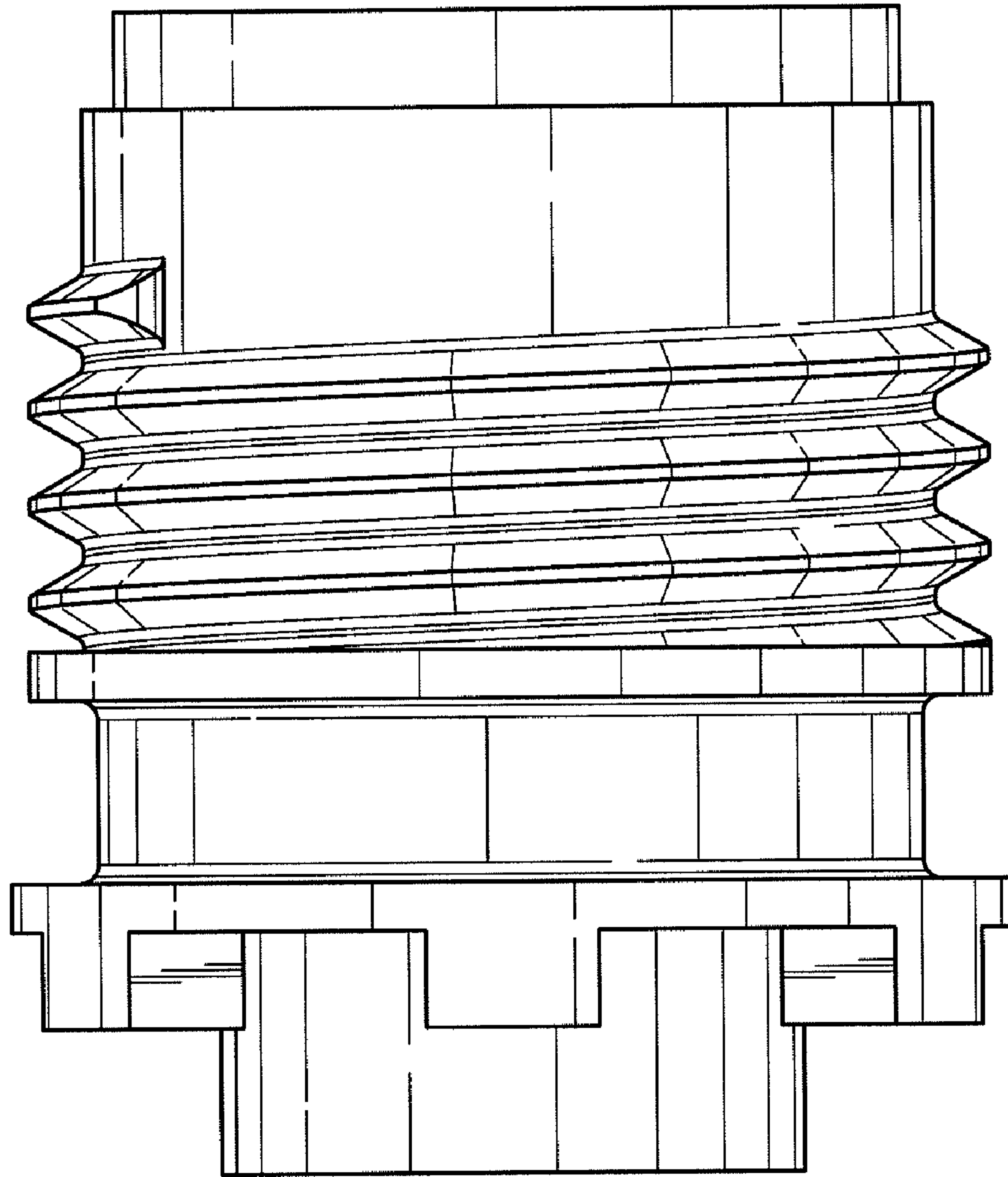


FIG. 22

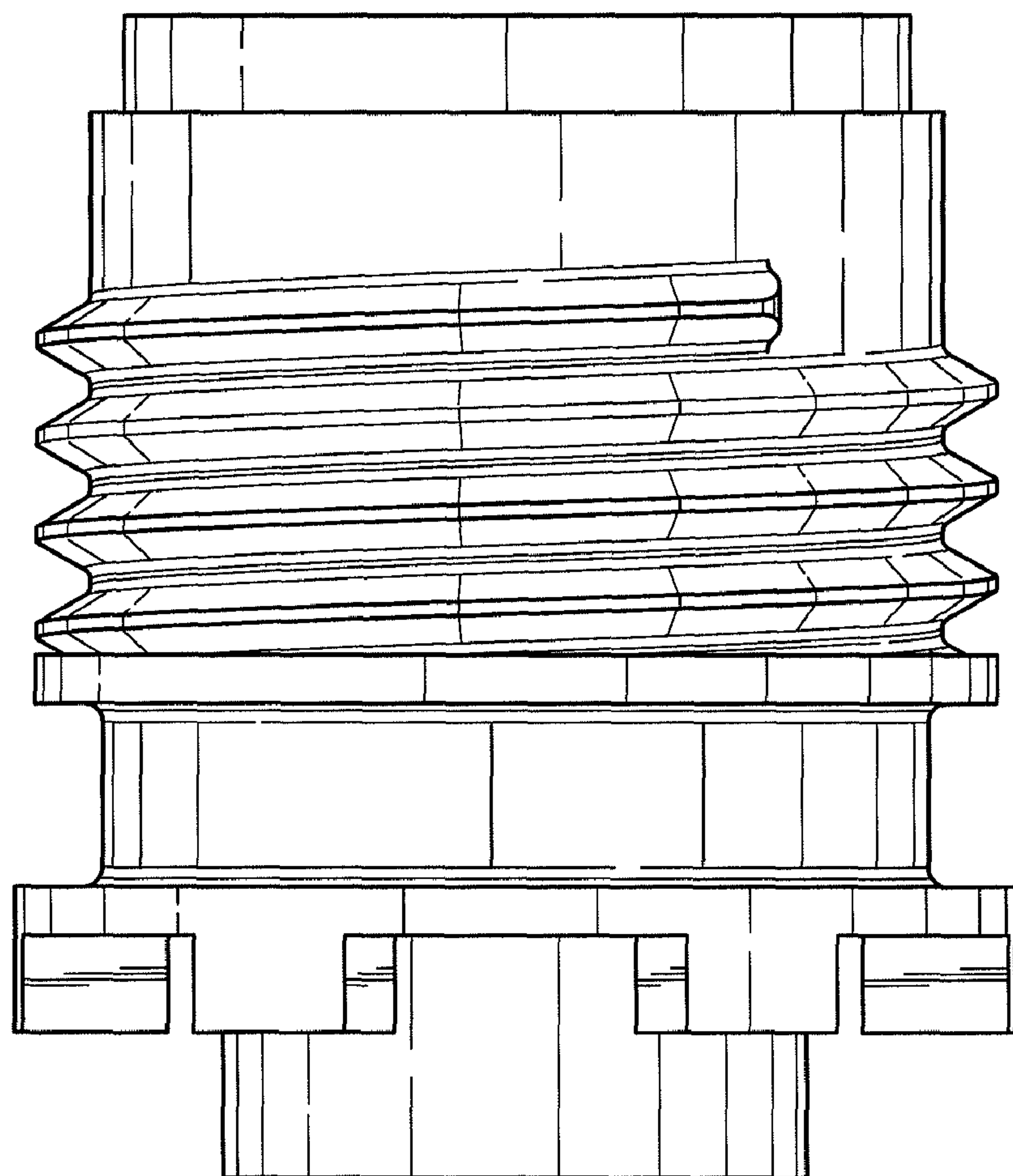


FIG. 23

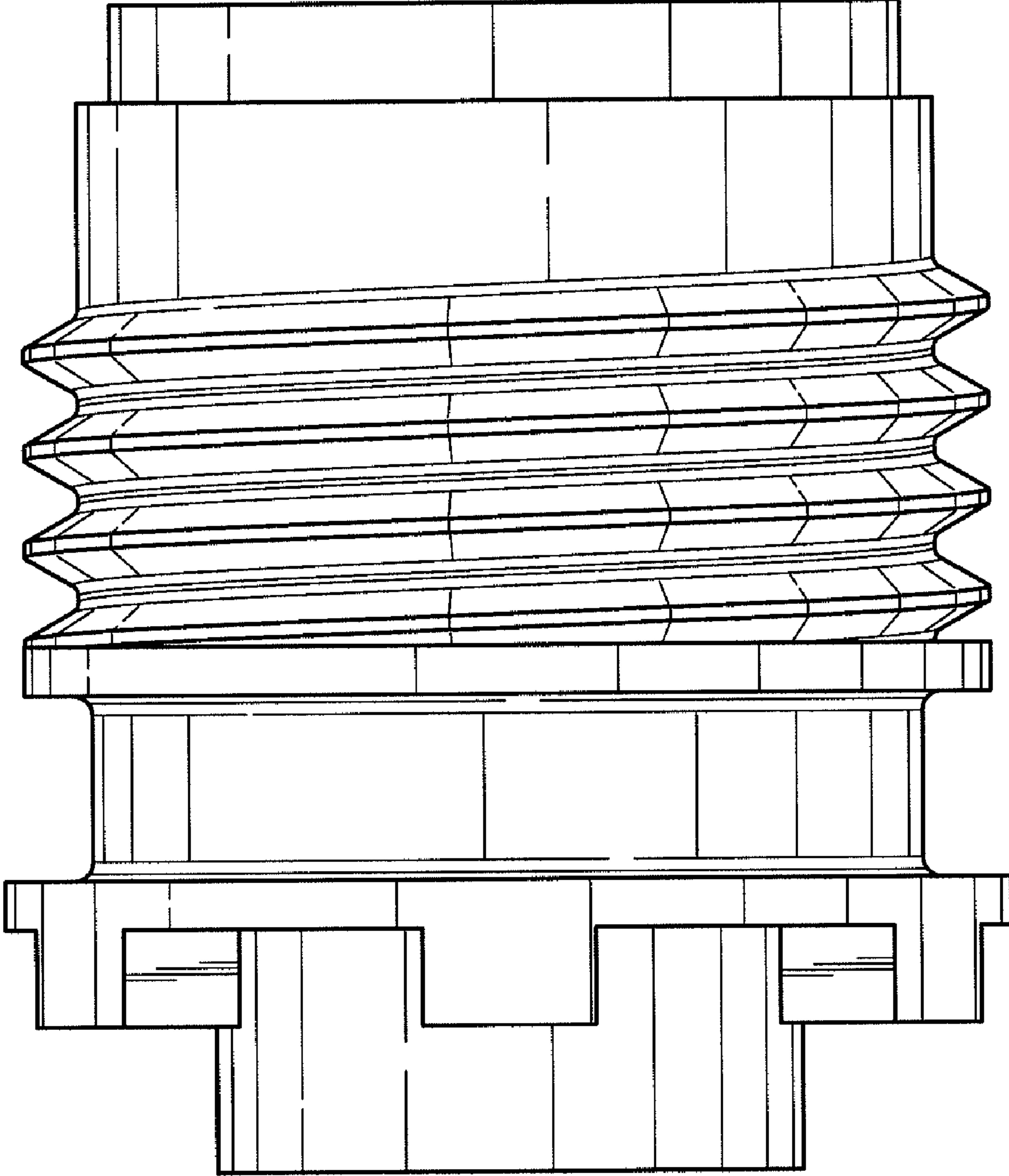


FIG. 24