



US00D632366S

(12) **United States Design Patent**  
**Marinoni et al.**

(10) **Patent No.:** **US D632,366 S**

(45) **Date of Patent:** **\*\* Feb. 8, 2011**

(54) **FLUID DYNAMIC ACTUATOR**

(75) Inventors: **Antonio Marinoni**, Grumello Del Monte (IT); **Ignazio Paris**, Grumello Del Monte (IT); **Santo Rota**, Albano Sant’Alessandro (IT)

(73) Assignee: **Air Torque S.p.A.**, Costa Di Mezzate (IT)

(\*\*) Term: **14 Years**

(21) Appl. No.: **29/311,968**

(22) Filed: **Aug. 10, 2009**

(30) **Foreign Application Priority Data**

Feb. 16, 2009 (EM) ..... 001088751

(51) **LOC (9) Cl.** ..... **23-01**

(52) **U.S. Cl.** ..... **D23/249**

(58) **Field of Classification Search** ..... D13/158;  
D10/85, 96; D15/143, 199; D23/233, 235,  
D23/249; 60/404; 137/315.35, 315.21, 554,  
137/556; 251/14, 28, 58, 291, 292

See application file for complete search history.

(56) **References Cited**

**U.S. PATENT DOCUMENTS**

3,982,725 A \* 9/1976 Clark ..... 251/14  
5,950,427 A \* 9/1999 Demerjian et al. .... 60/404  
5,954,088 A \* 9/1999 Huang ..... 137/315.21  
6,170,797 B1 \* 1/2001 Kimura et al. .... 251/62  
6,173,740 B1 \* 1/2001 Marinoni et al. .... 137/554  
6,748,967 B1 \* 6/2004 Smiltneek ..... 137/315.17  
D494,659 S \* 8/2004 Marinoni et al. .... D23/249

6,848,672 B2 \* 2/2005 Cross et al. .... 251/292  
D603,341 S \* 11/2009 Kawakami et al. .... D13/158

\* cited by examiner

*Primary Examiner*—Selina Sikder

(74) *Attorney, Agent, or Firm*—Modiano & Associati; Albert Josif; Daniel O’Byrne

(57) **CLAIM**

The ornamental design for the “fluid dynamic actuator”, as shown and described.

**DESCRIPTION**

FIG. 1 is a perspective view of the fluid dynamic actuator, showing our new design;

FIG. 2 is a front elevation view thereof;

FIG. 3 is a rear elevation view thereof;

FIG. 4 is a left side view thereof;

FIG. 5 is a right side view thereof;

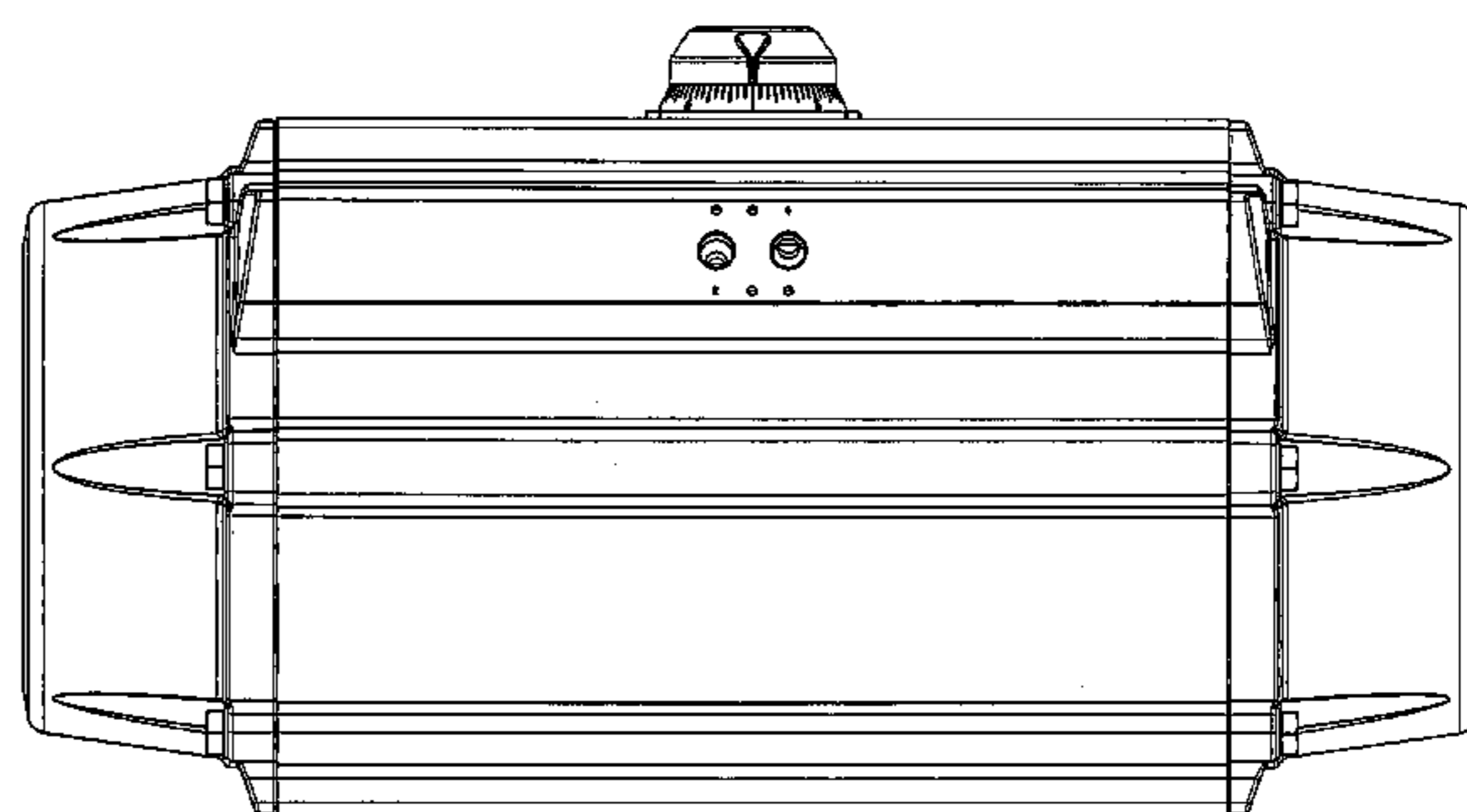
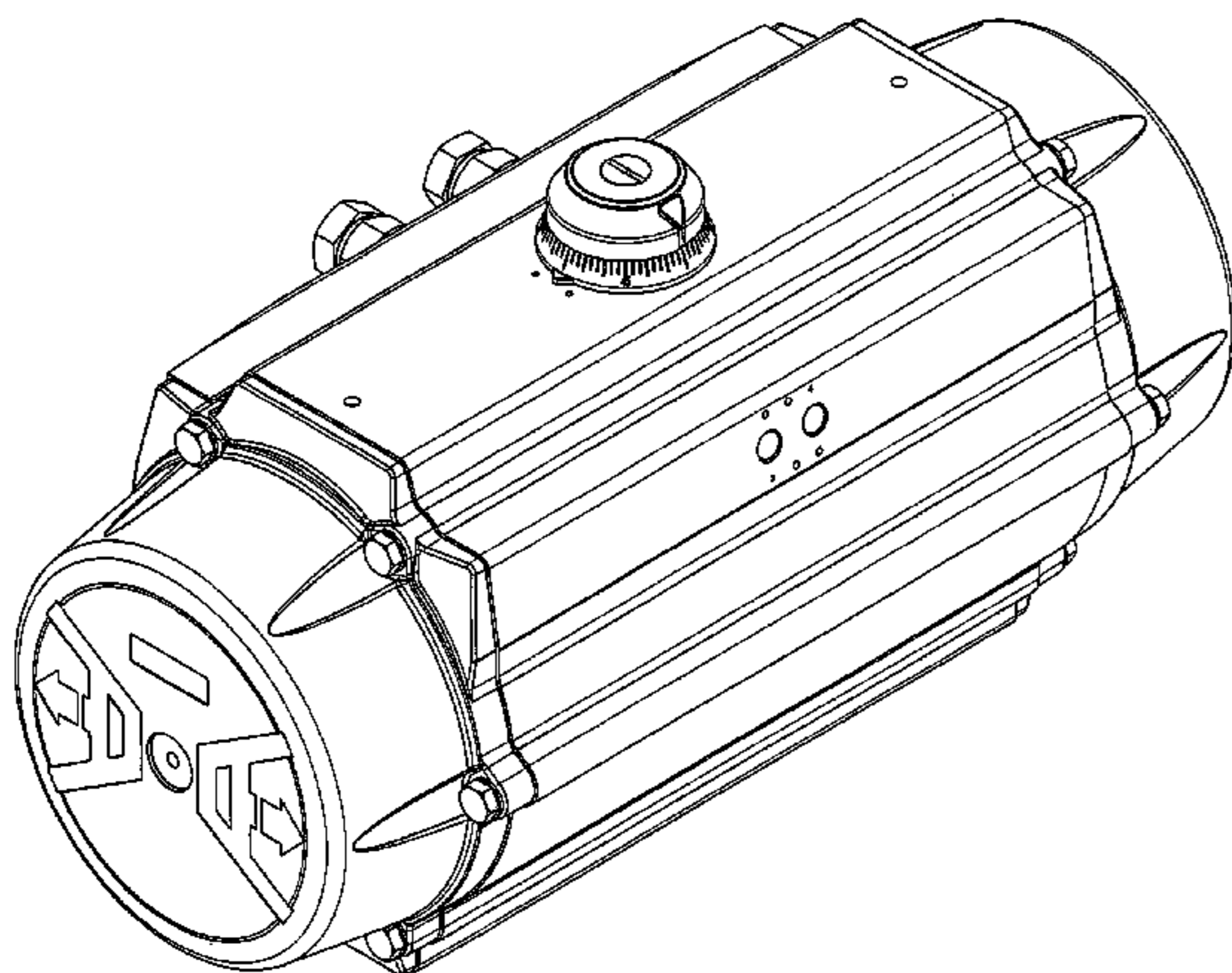
FIG. 6 is a plan view thereof, taken from above; and,

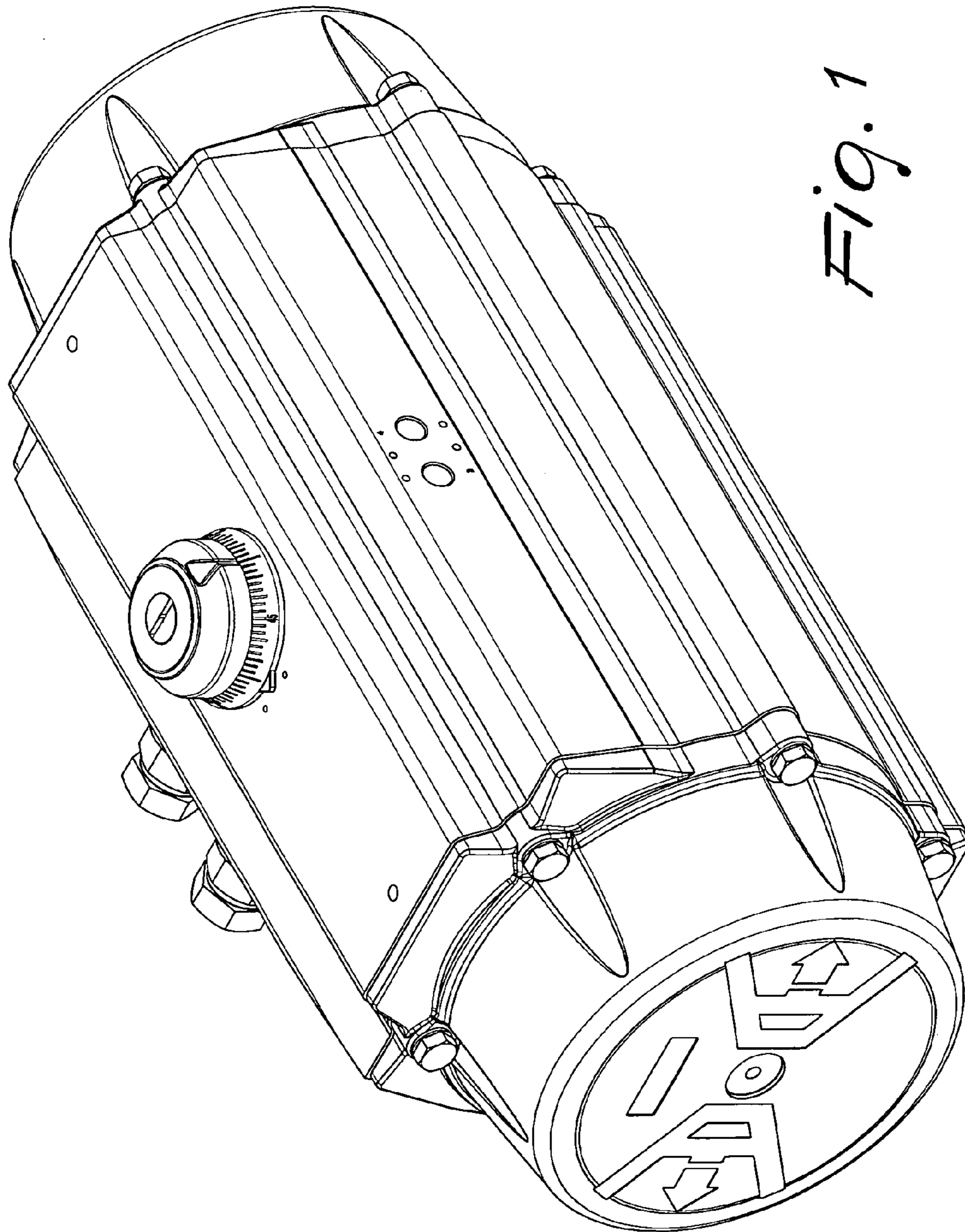
FIG. 7 is a plan view thereof, taken from below, wherein the broken lines form no part of the claimed design.

The design relates to a fluid dynamic actuator, composed of a rectangular box-like body that presents a graduated knob on the top, the knob being located at the top of a raised central portion of the top of the box-like body; frusto-conical caps are present at each end of the box-like body.

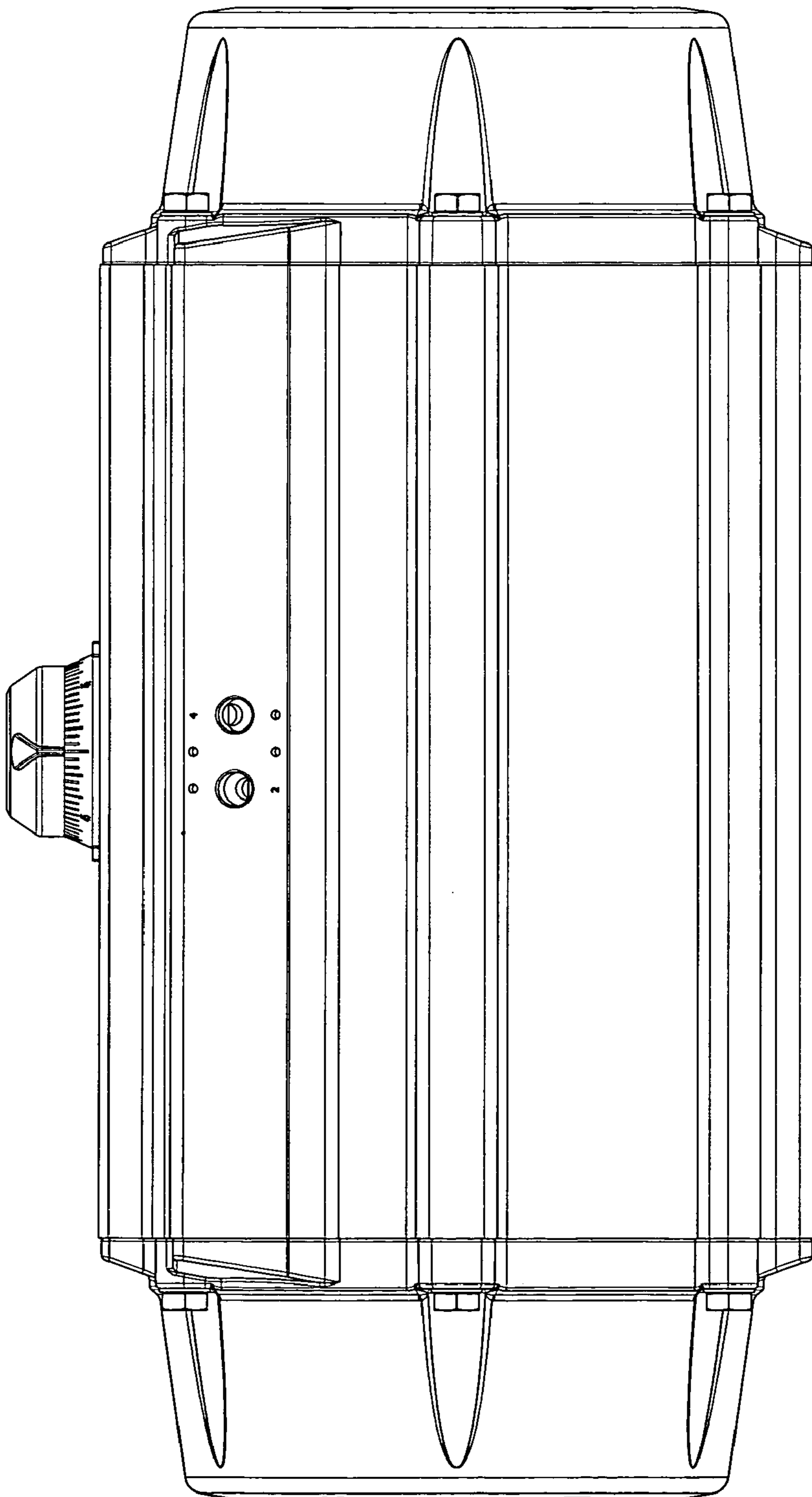
The box-like body is shaped so as to present longitudinal ribs at the center of the sides that extend along the whole length of the sides and accommodate, at each end, one screw of the end caps.

**1 Claim, 7 Drawing Sheets**

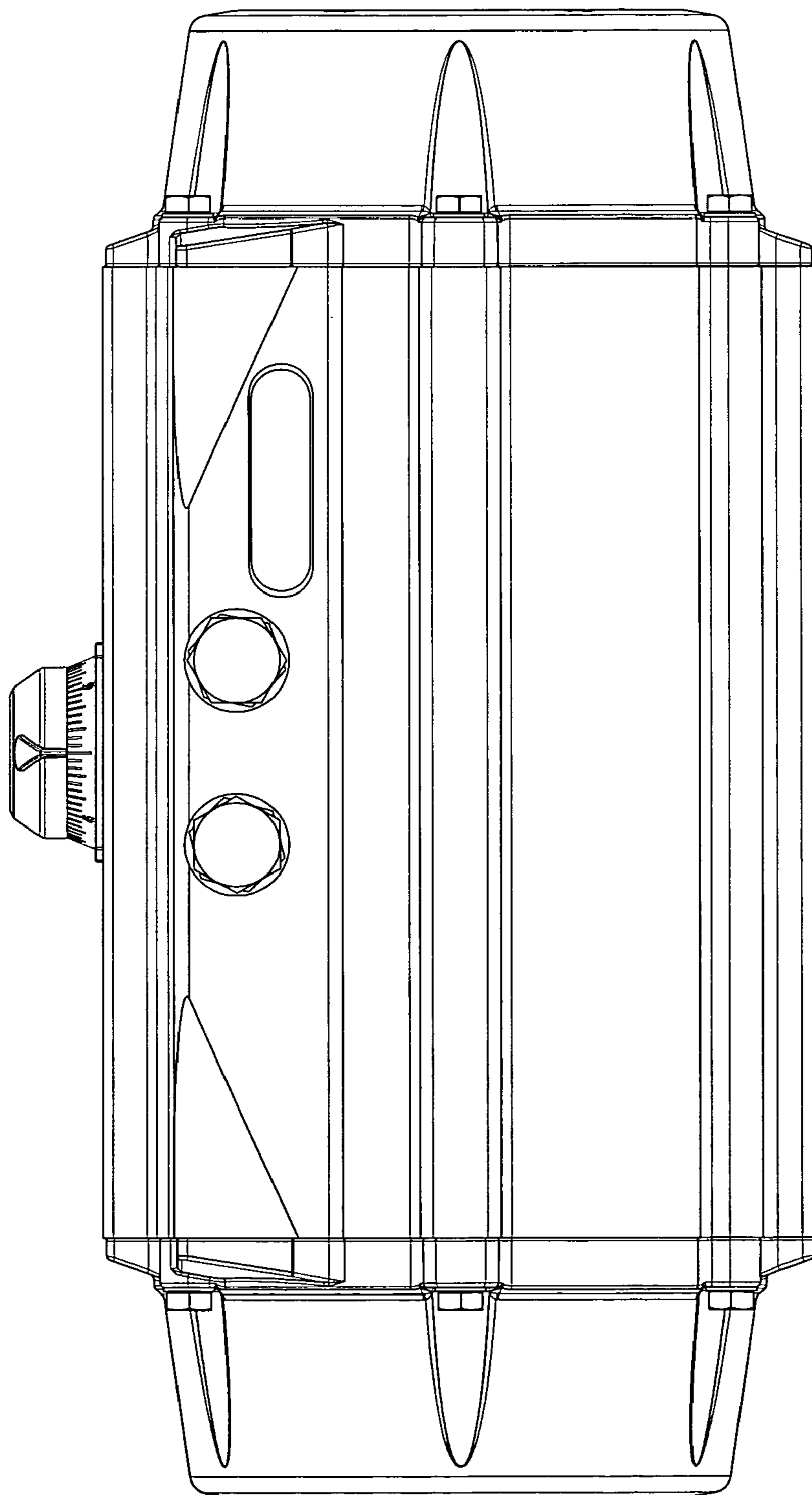




*Fig. 1*

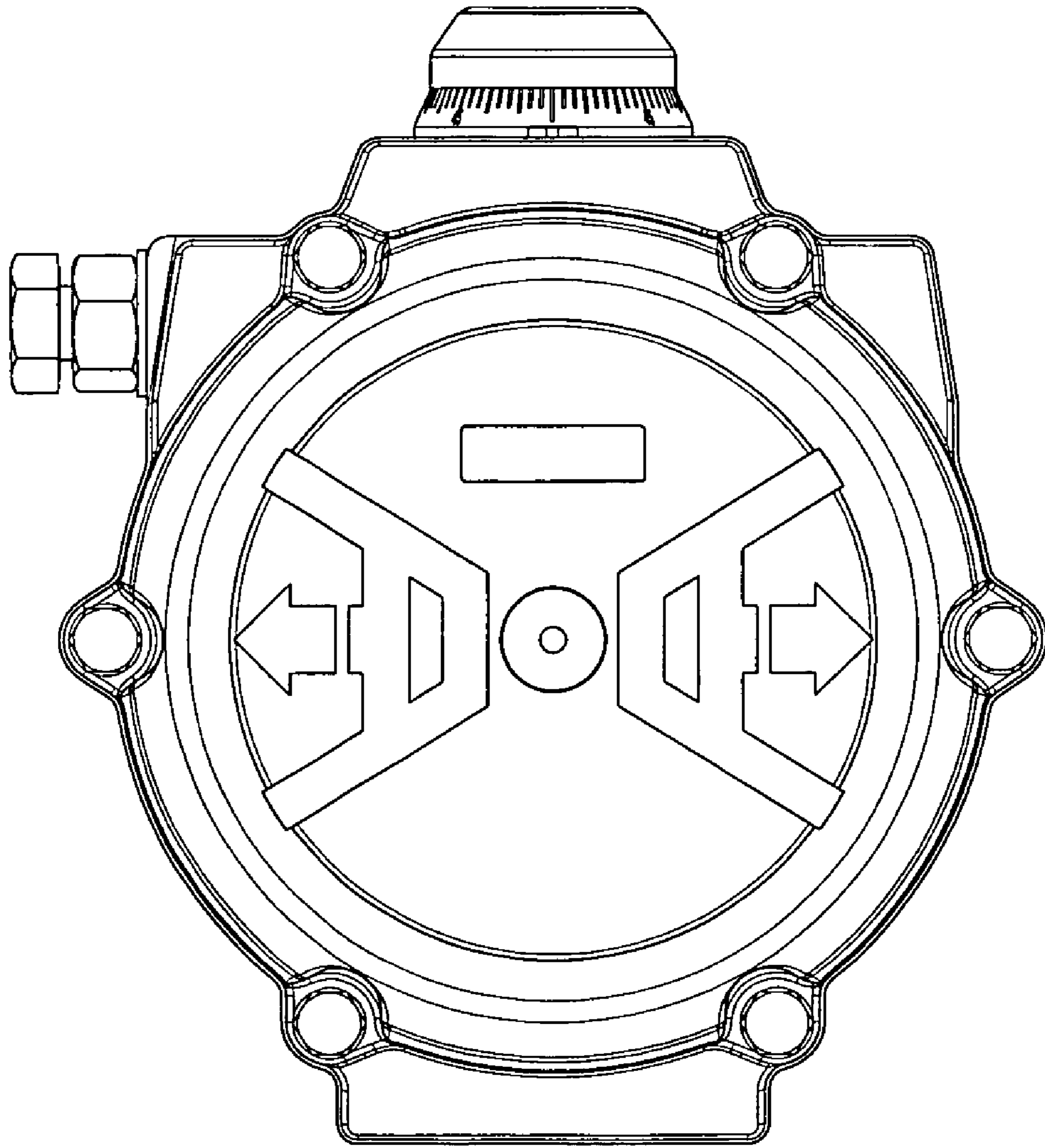


*Fig. 2*

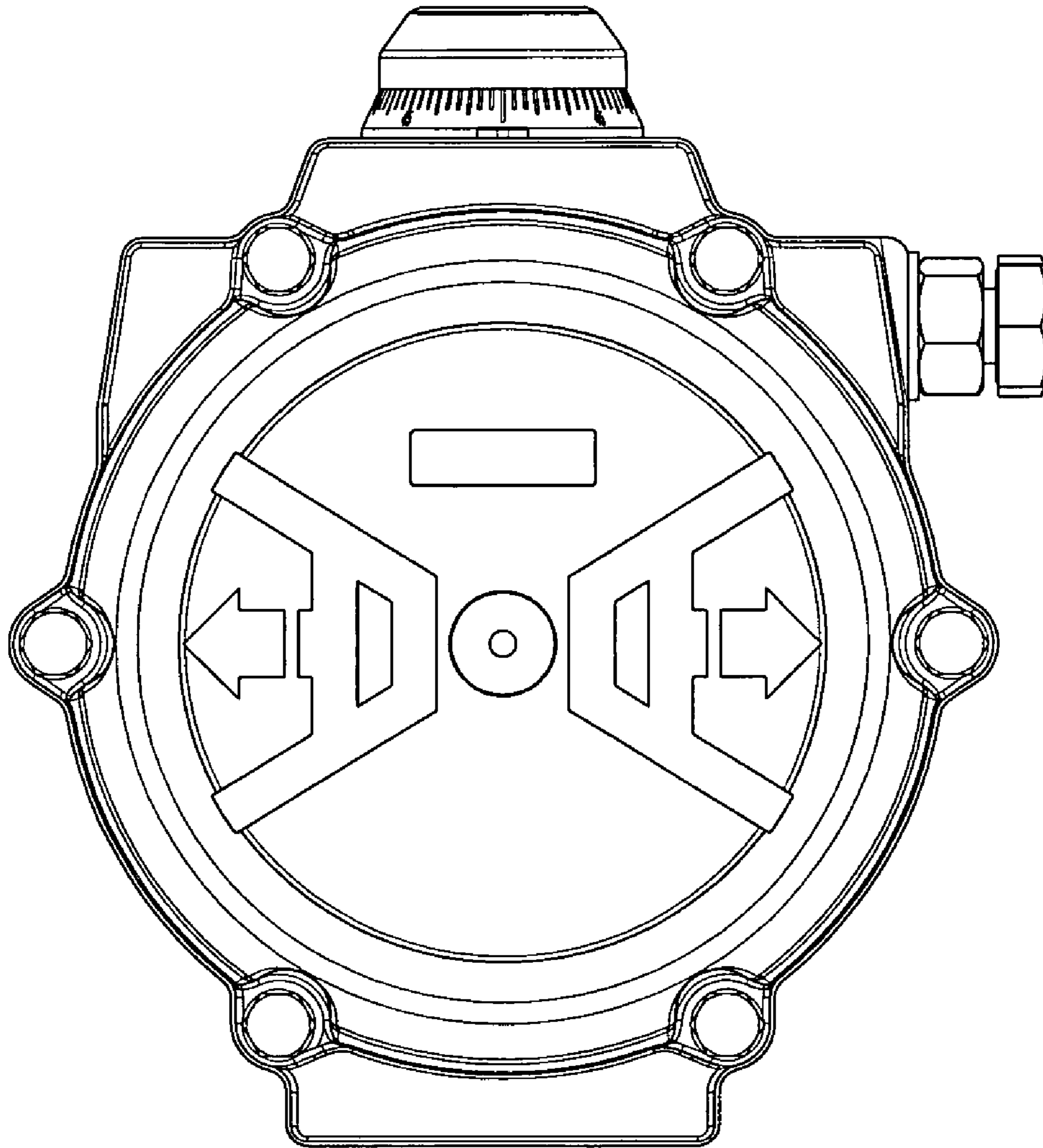


*Fig. 3*

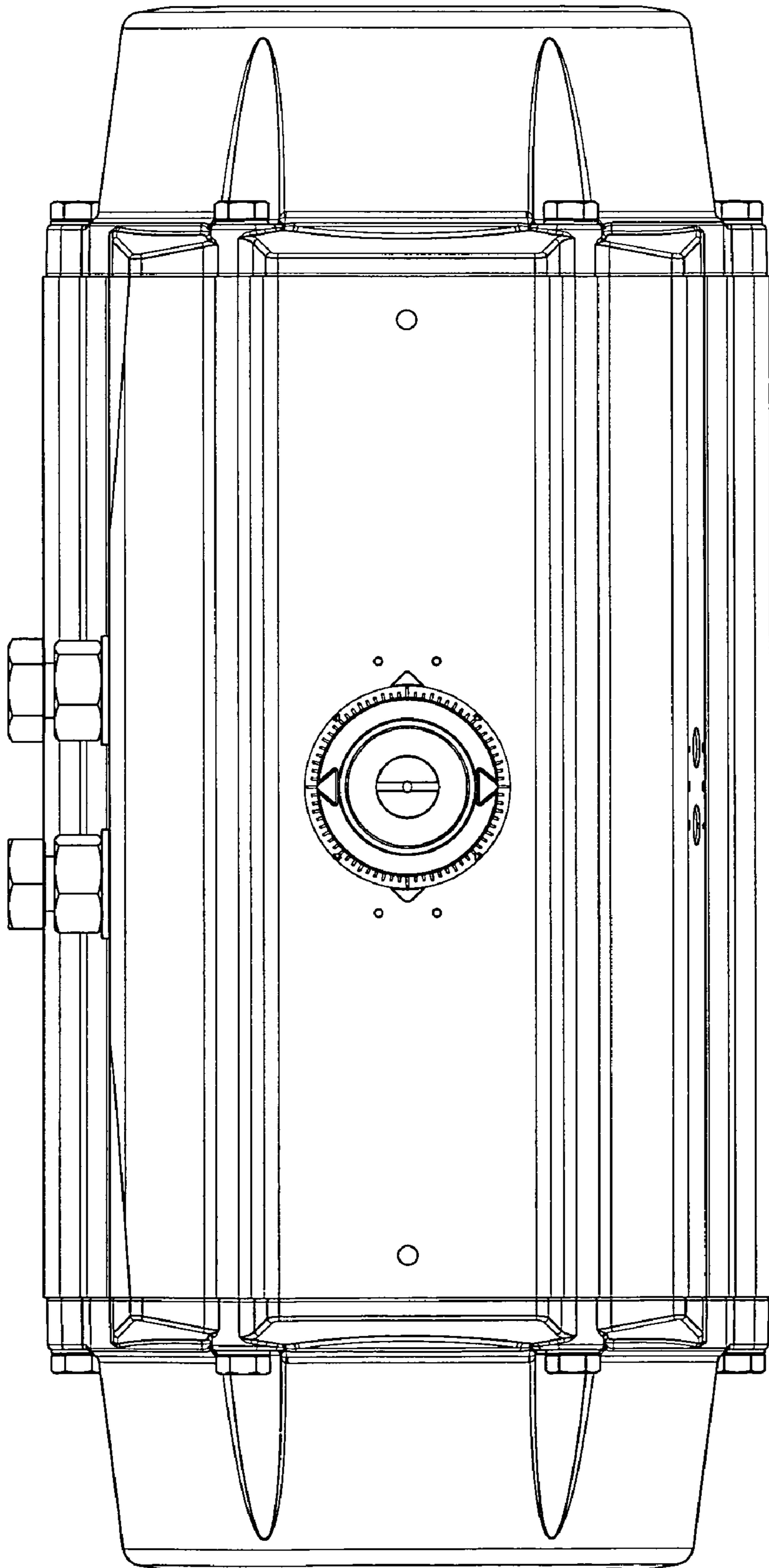




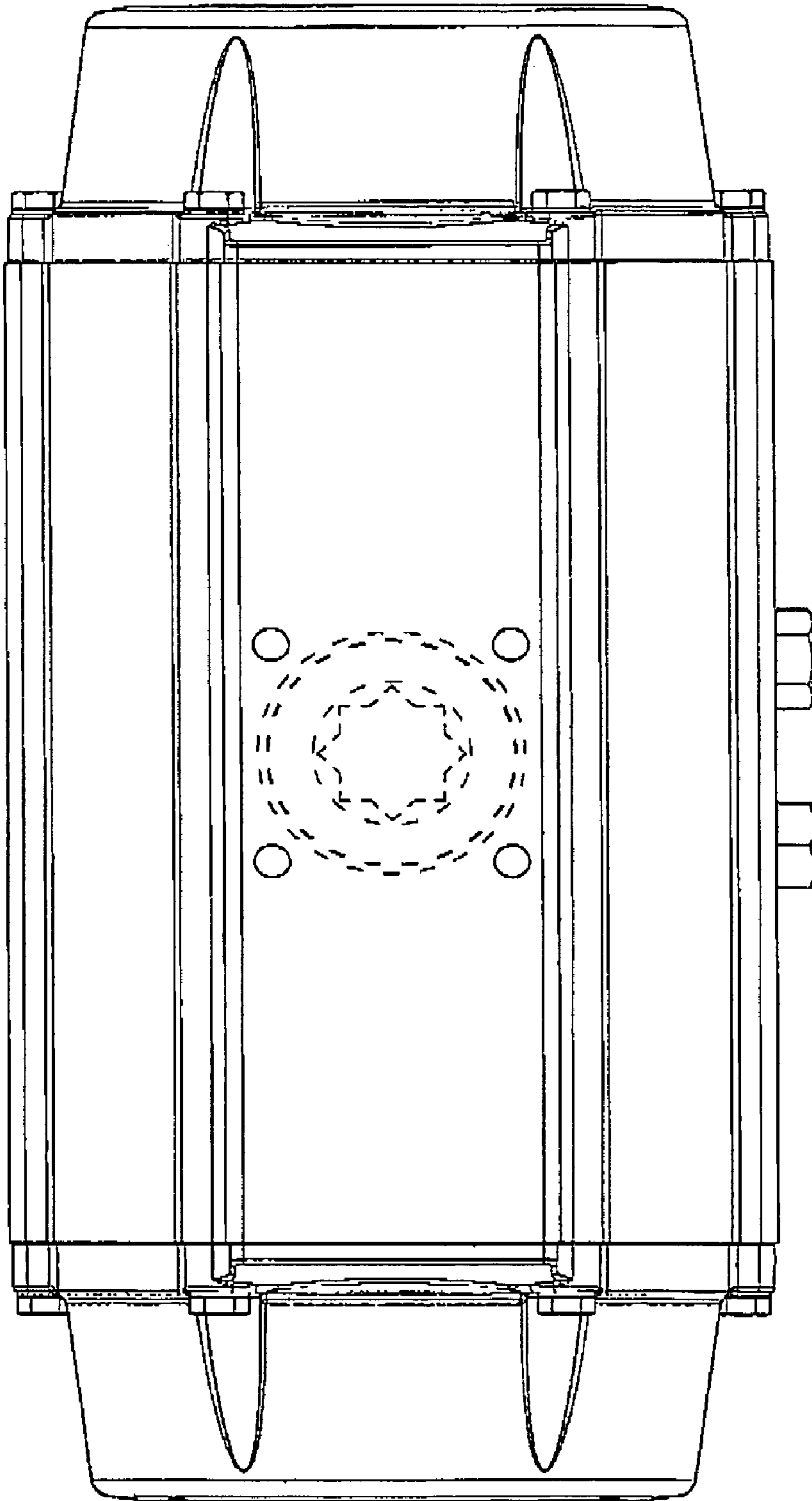
*Fig. 4*



*Fig. 5*



*Fig. 6*



*Fig. 7*