



US00D632365S

(12) **United States Design Patent**
Choi

(10) **Patent No.:** **US D632,365 S**

(45) **Date of Patent:** **** Feb. 8, 2011**

(54) **FAUCET FOR WATER PURIFIER**

(75) Inventor: **Hun Jung Choi**, Seoul (KR)

(73) Assignee: **Woongjin Coway Co., Ltd.**,
Choongcheongnam-do (KR)

(**) Term: **14 Years**

(21) Appl. No.: **29/362,861**

(22) Filed: **Jun. 1, 2010**

(30) **Foreign Application Priority Data**

Dec. 1, 2009 (KR) 30-2009-0052769

(51) **LOC (9) Cl.** **23-01**

(52) **U.S. Cl.** **D23/238**

(58) **Field of Classification Search** D23/238,
D23/242-243, 250, 252-254, 255, 257; 4/675-678;
137/801

See application file for complete search history.

(56) **References Cited**

U.S. PATENT DOCUMENTS

D513,526 S * 1/2006 Marshall D23/238

D519,190 S * 4/2006 Lord D23/238

D534,246 S * 12/2006 Chu et al. D23/238
D611,124 S 3/2010 Schoenherr et al.

* cited by examiner

Primary Examiner—Robert A Delehanty

(74) *Attorney, Agent, or Firm*—McDermott Will & Emery
LLP

(57) **CLAIM**

The ornamental design for a faucet for water purifier, as
shown and described.

DESCRIPTION

FIG. 1 is a perspective view of a faucet for water purifier;

FIG. 2 is the front view thereof;

FIG. 3 is the rear view thereof;

FIG. 4 is the left side view thereof;

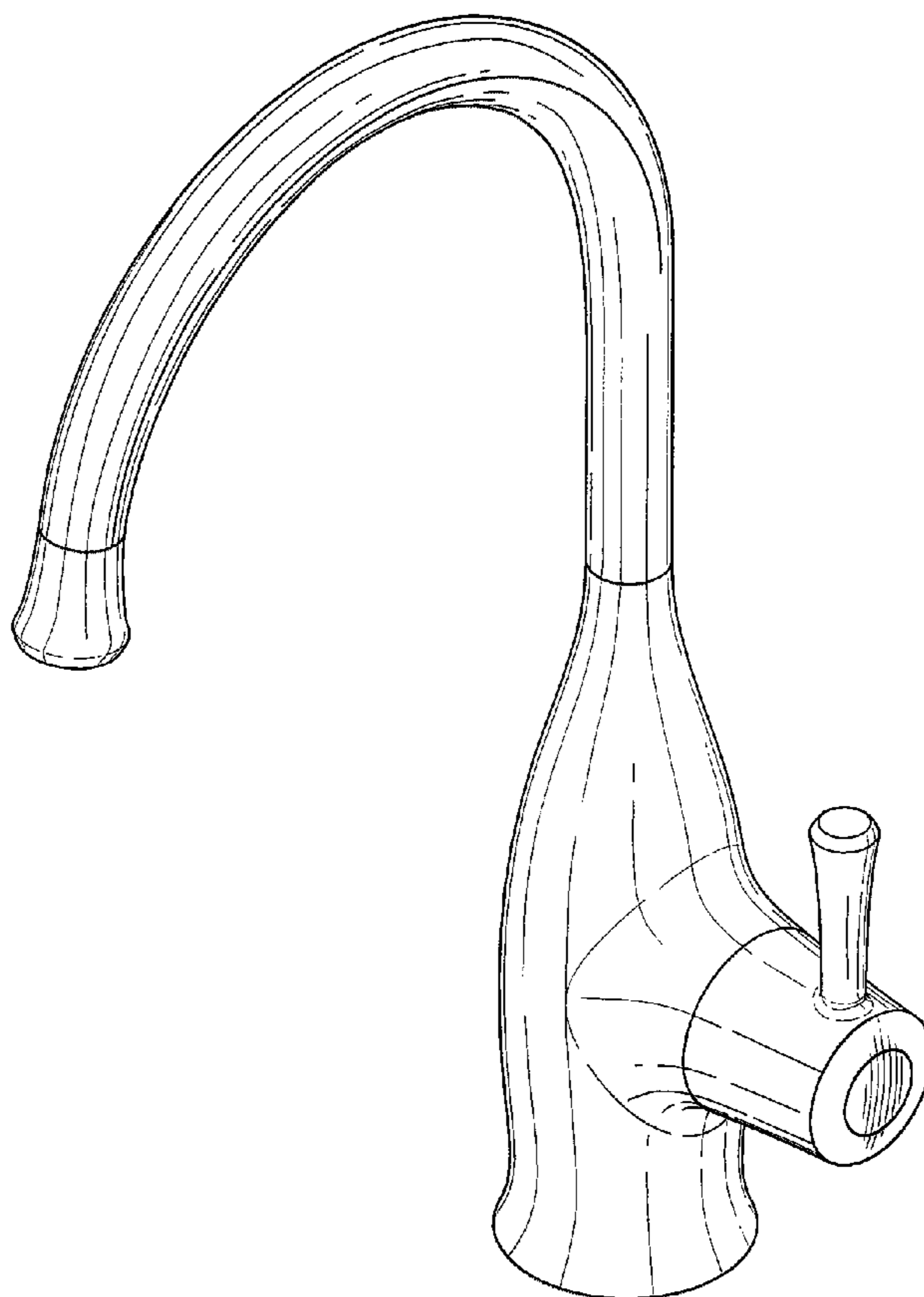
FIG. 5 is the right side view thereof;

FIG. 6 is the top plan view thereof; and,

FIG. 7 is a bottom plan view thereof.

The broken line shown in the drawing is included for the
purpose of illustrating a portion of the faucet that forms no
part of the claimed design.

1 Claim, 5 Drawing Sheets



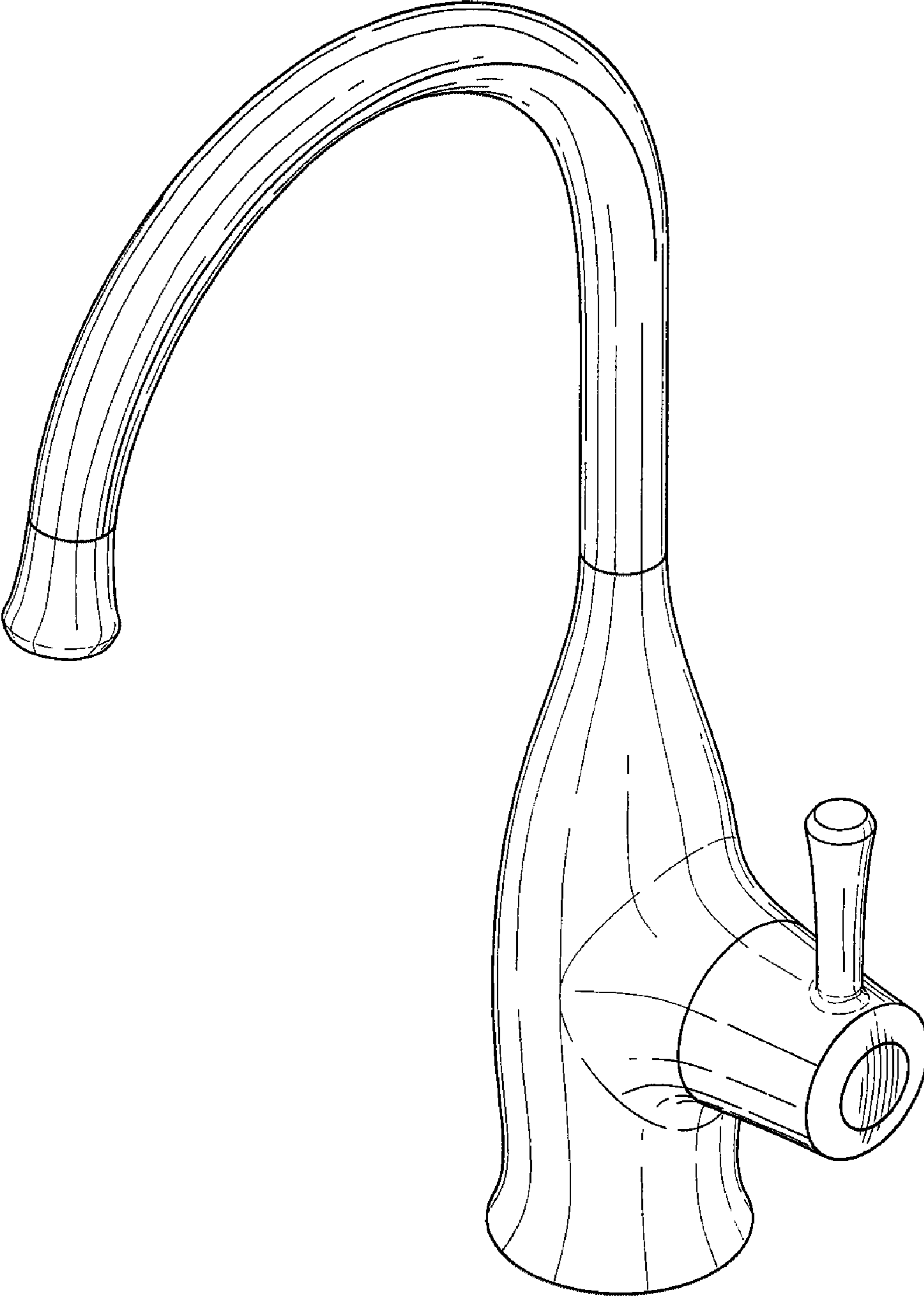


FIG. 1

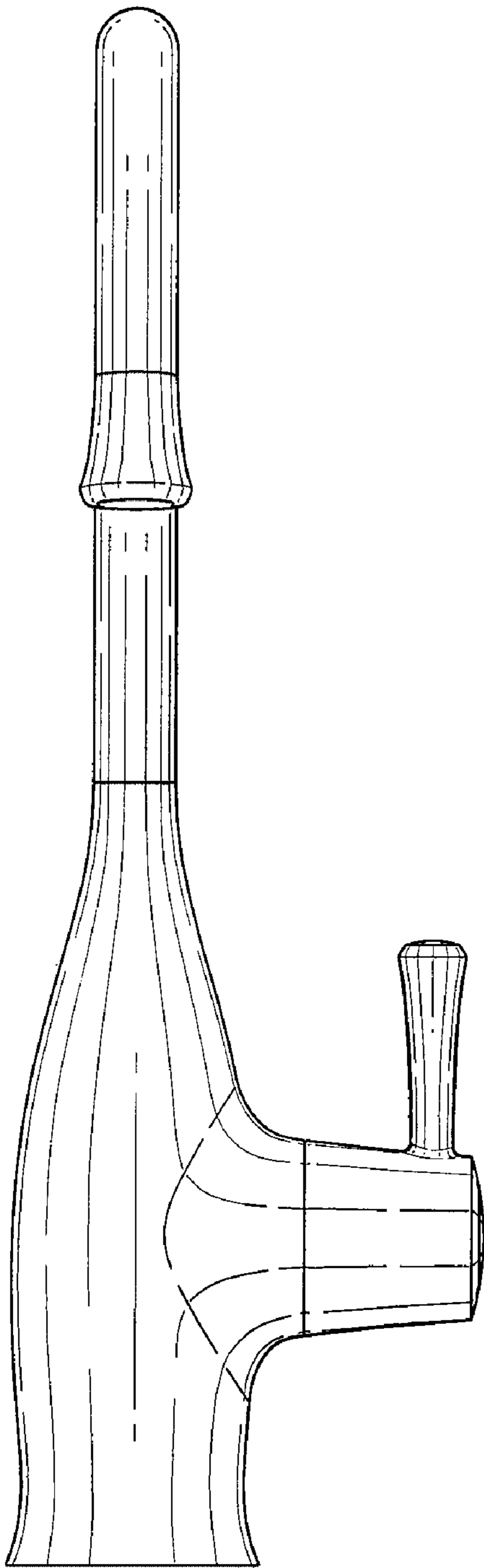


FIG. 2

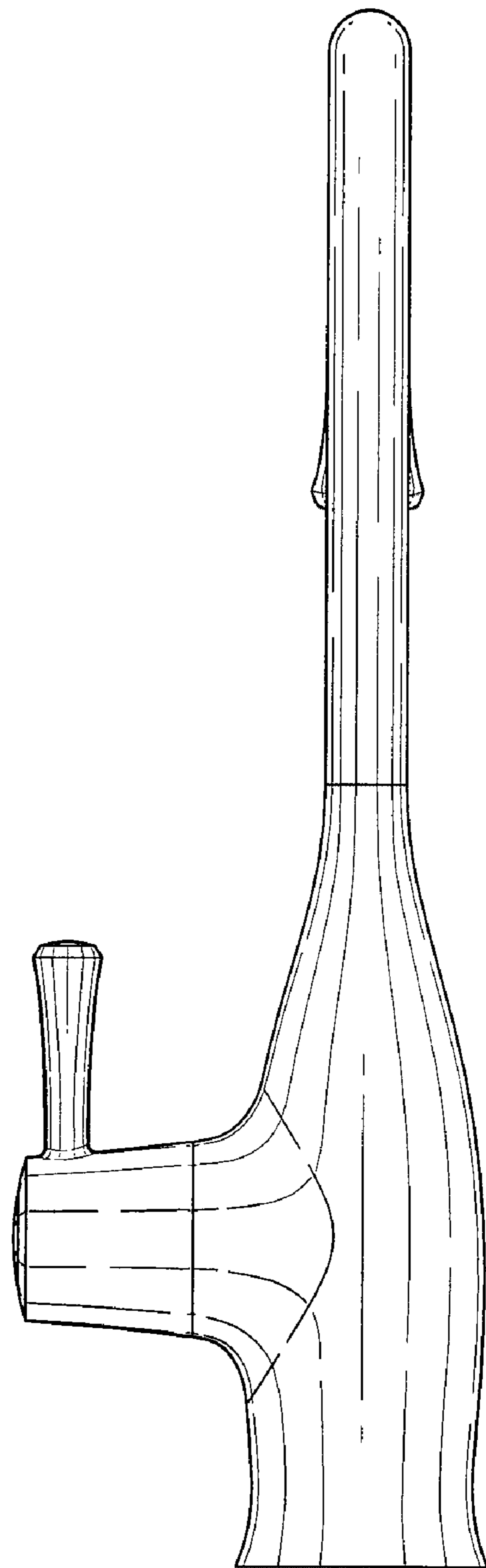


FIG. 3

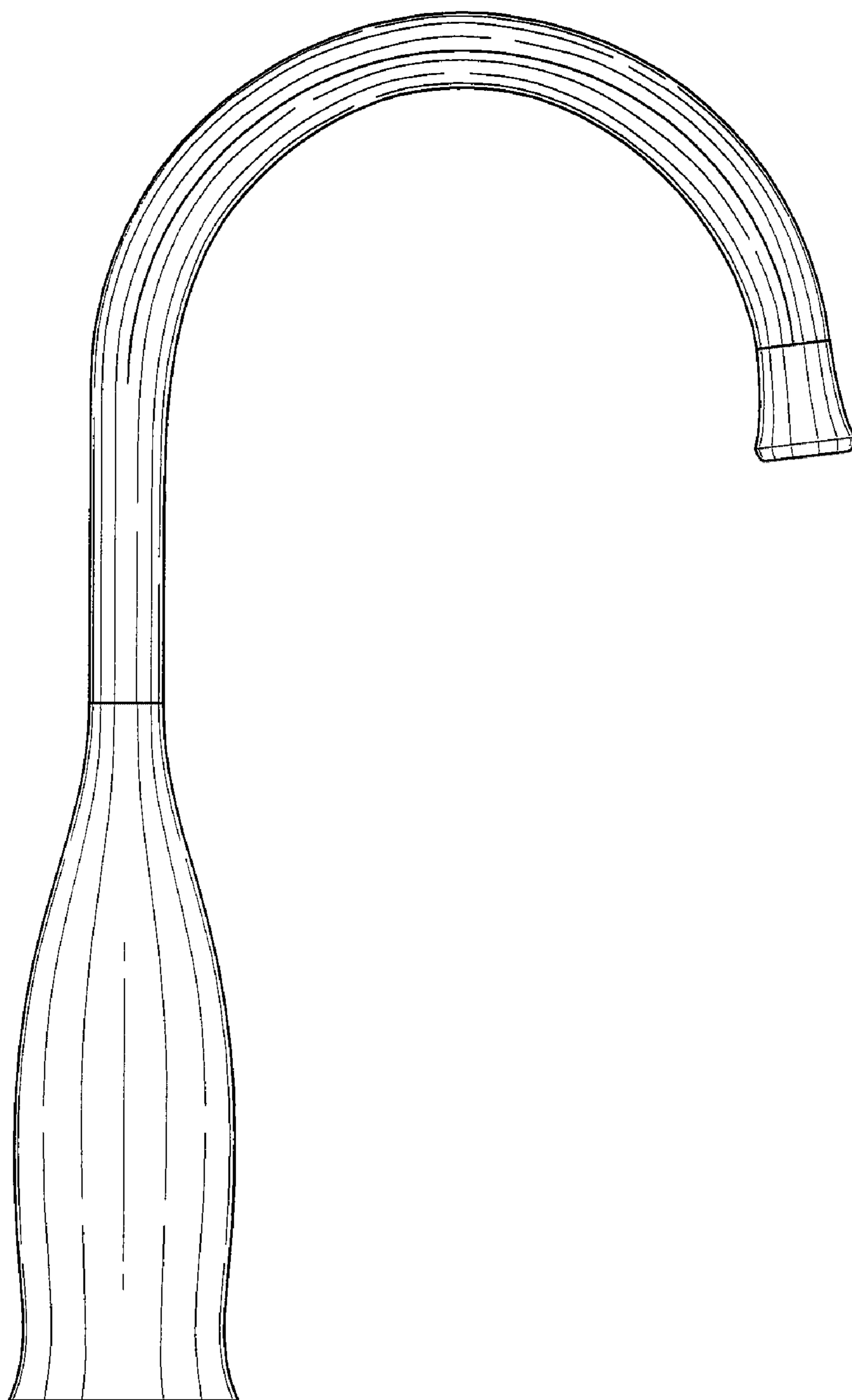


FIG. 4

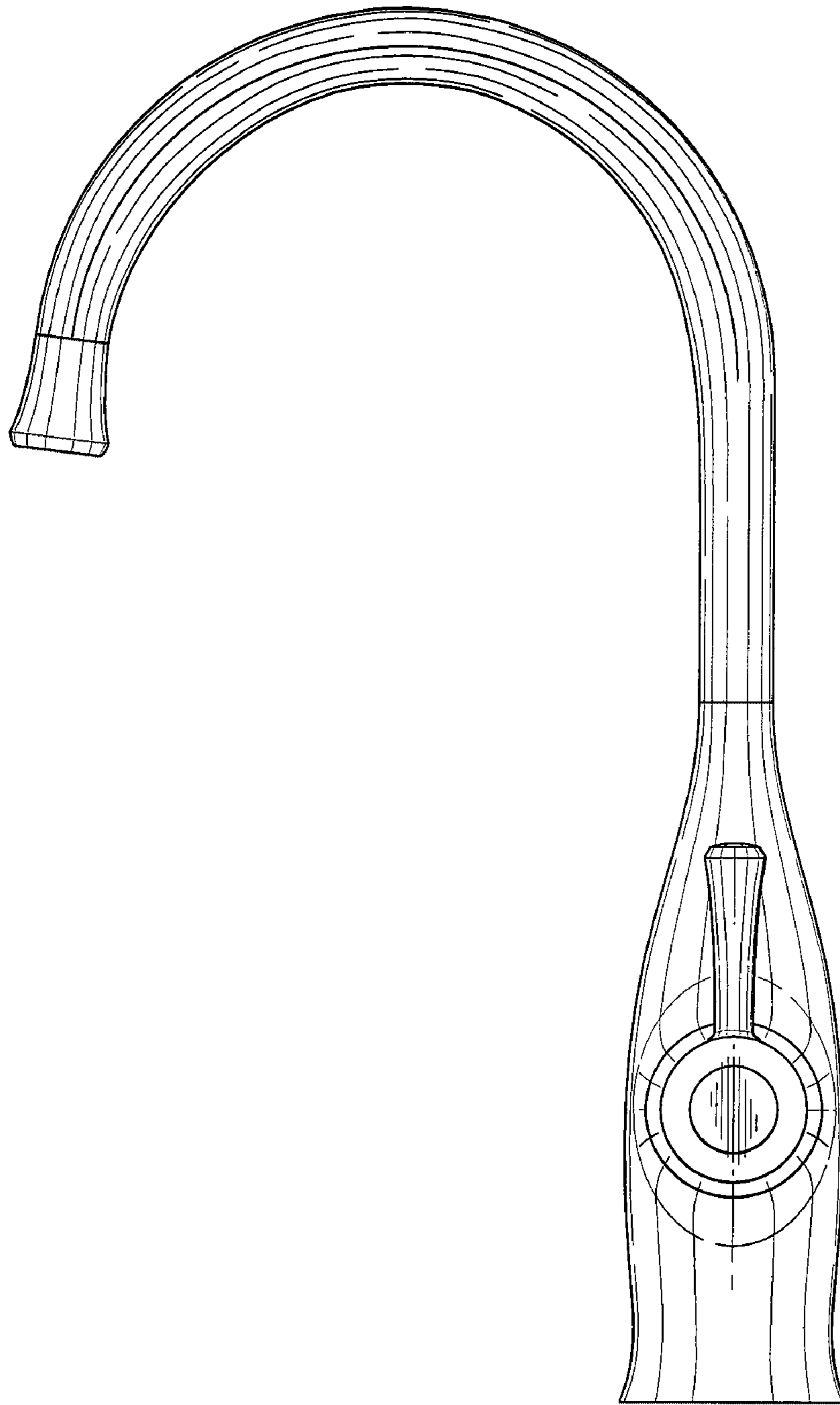


FIG. 5

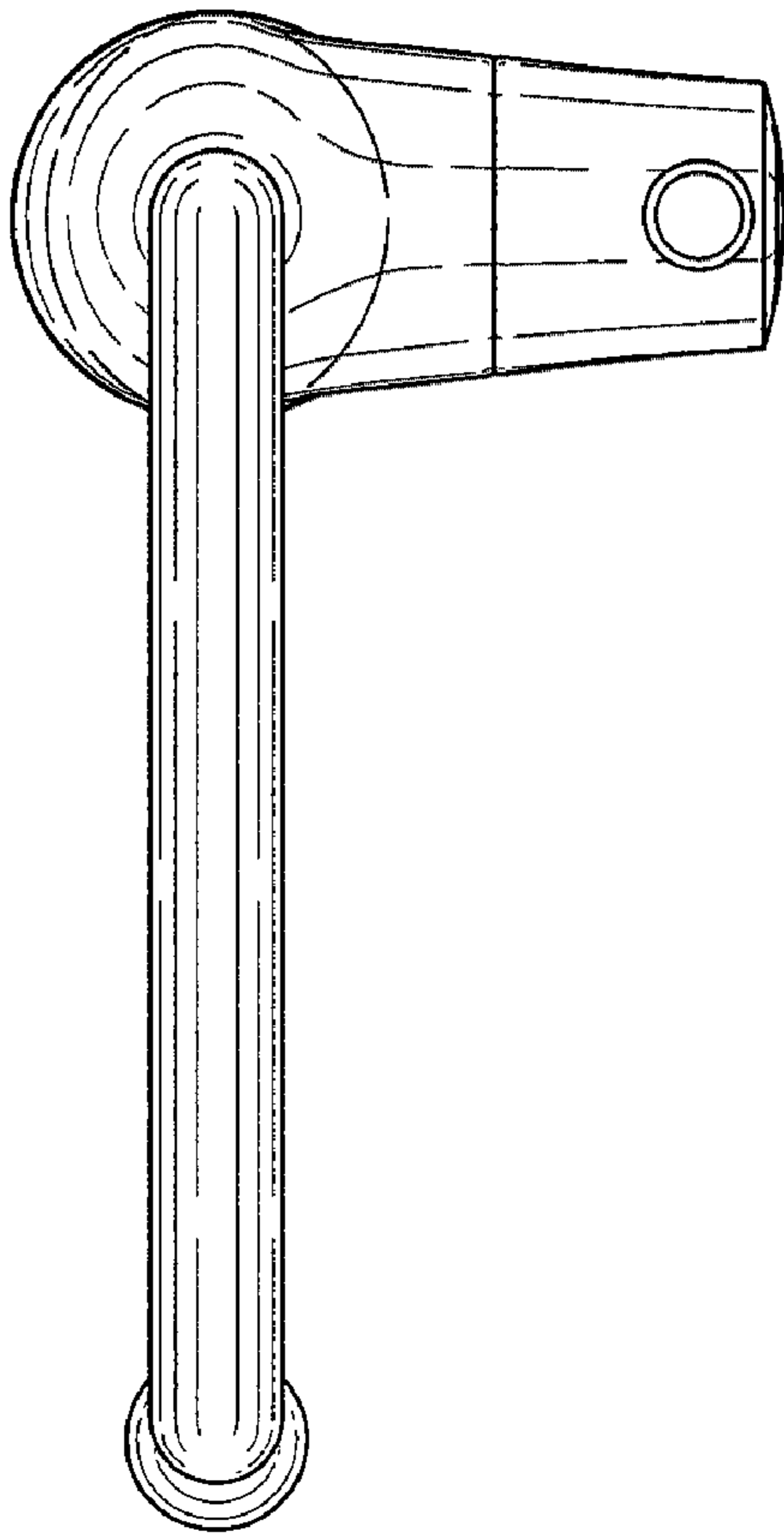


FIG. 6

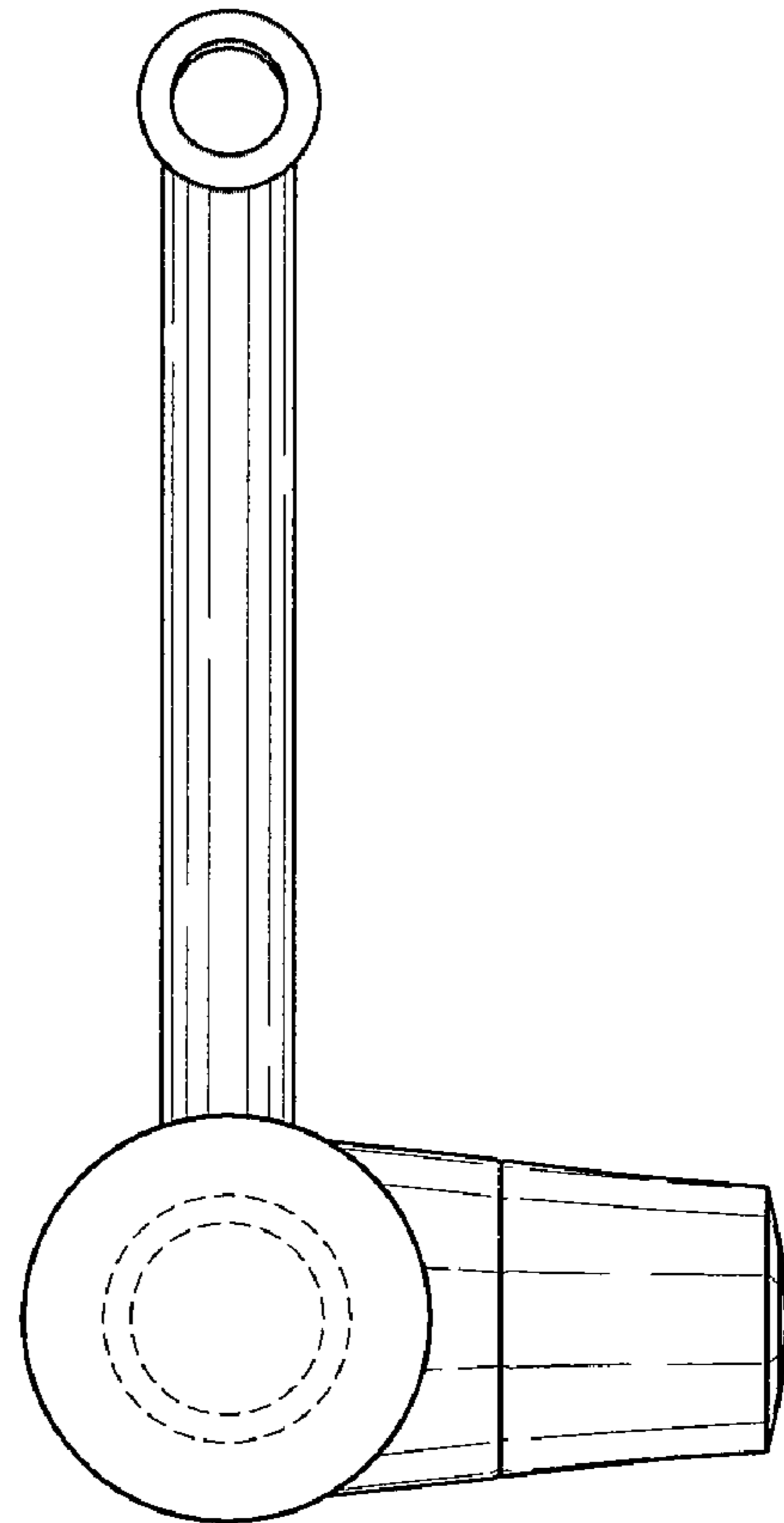


FIG. 7