



US00D632364S

(12) **United States Design Patent**  
**Choi**

(10) **Patent No.:** **US D632,364 S**

(45) **Date of Patent:** **\*\* Feb. 8, 2011**

(54) **FAUCET FOR WATER PURIFIER**

(75) Inventor: **Hun Jung Choi**, Seoul (KR)

(73) Assignee: **Woongjin Coway Co., Ltd.**,  
Choogcheongnam-do (KR)

(\*\*) Term: **14 Years**

(21) Appl. No.: **29/362,853**

(22) Filed: **Jun. 1, 2010**

(30) **Foreign Application Priority Data**

Dec. 1, 2009 (KR) ..... 30-2009-0052813

(51) **LOC (9) Cl.** ..... **23-01**

(52) **U.S. Cl.** ..... **D23/238**

(58) **Field of Classification Search** ..... D23/238,  
D23/242-243, 250, 252-254, 255, 257; 4/675-678;  
137/801

See application file for complete search history.

(56) **References Cited**

**U.S. PATENT DOCUMENTS**

D461,529 S \* 8/2002 Gottwald ..... D23/242

D513,526 S \* 1/2006 Marshall ..... D23/238

D519,190 S \* 4/2006 Lord ..... D23/238

D534,246 S \* 12/2006 Chu et al. .... D23/238

D586,431 S \* 2/2009 Shieh ..... D23/242

D611,124 S 3/2010 Schoenherr et al.

\* cited by examiner

*Primary Examiner*—Robert A Delehanty

(74) *Attorney, Agent, or Firm*—McDermott Will & Emery  
LLP

(57) **CLAIM**

The ornamental design for a faucet for water purifier, as shown and described.

**DESCRIPTION**

FIG. 1 is a perspective view of a faucet for water purifier;

FIG. 2 is the front view thereof;

FIG. 3 is the rear view thereof;

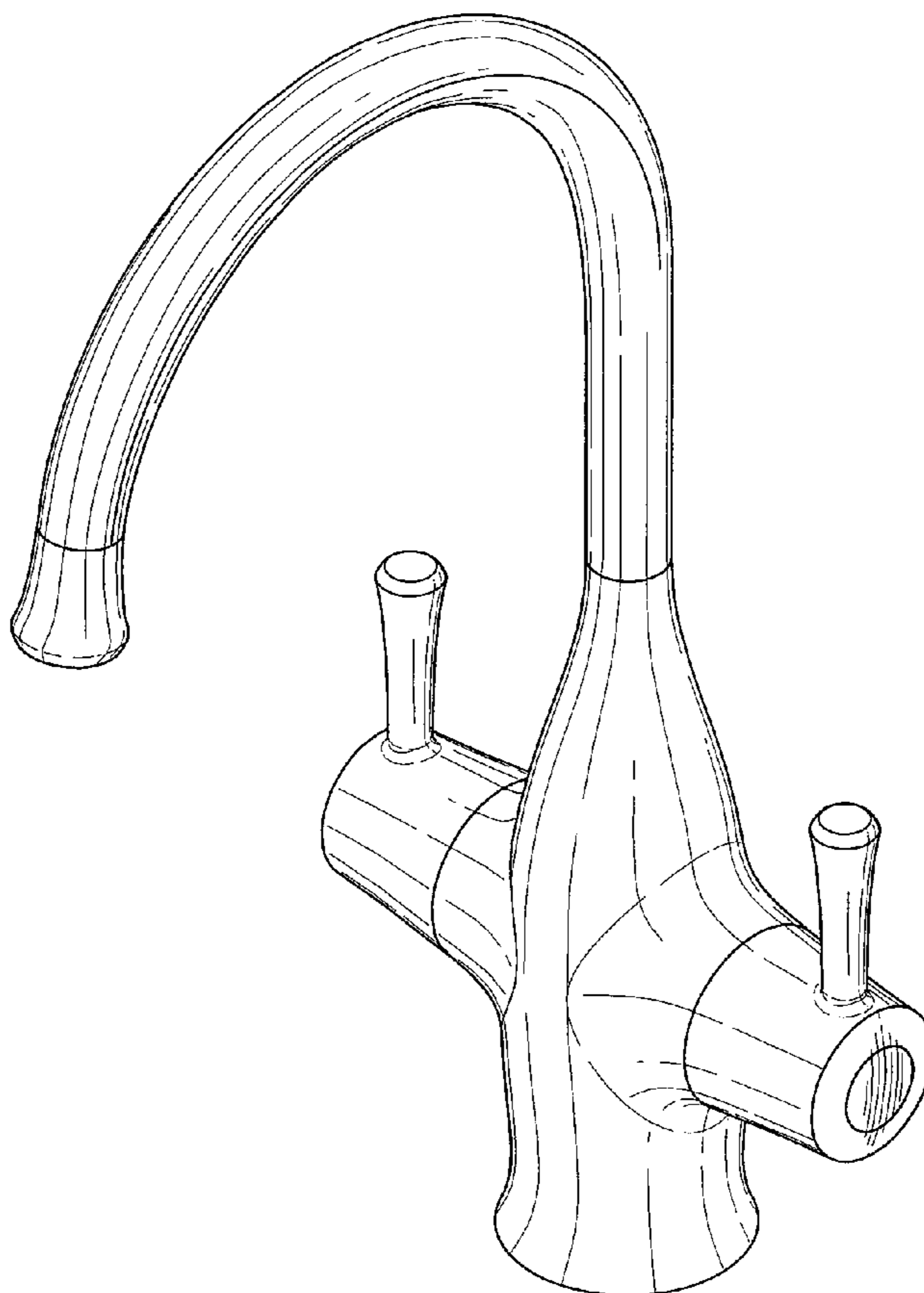
FIG. 4 is the left side view thereof; (the right side view thereof is a mirror image of this)

FIG. 5 is the top plan view thereof; and,

FIG. 6 is the bottom view thereof.

The broken line shown in the drawing is included for the purpose of illustrating a portion of the faucet that forms no part of the claimed design.

**1 Claim, 4 Drawing Sheets**



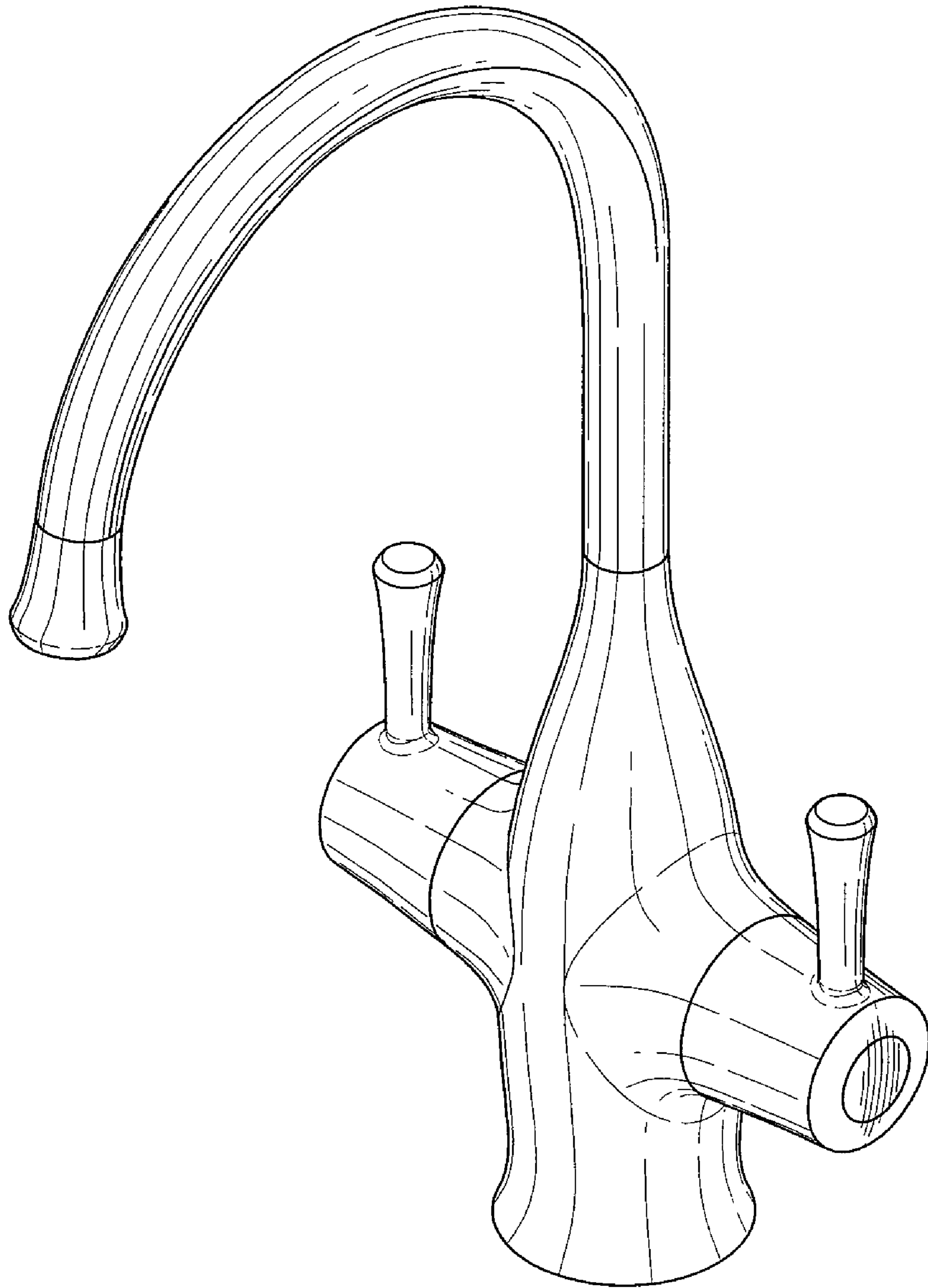


FIG. 1

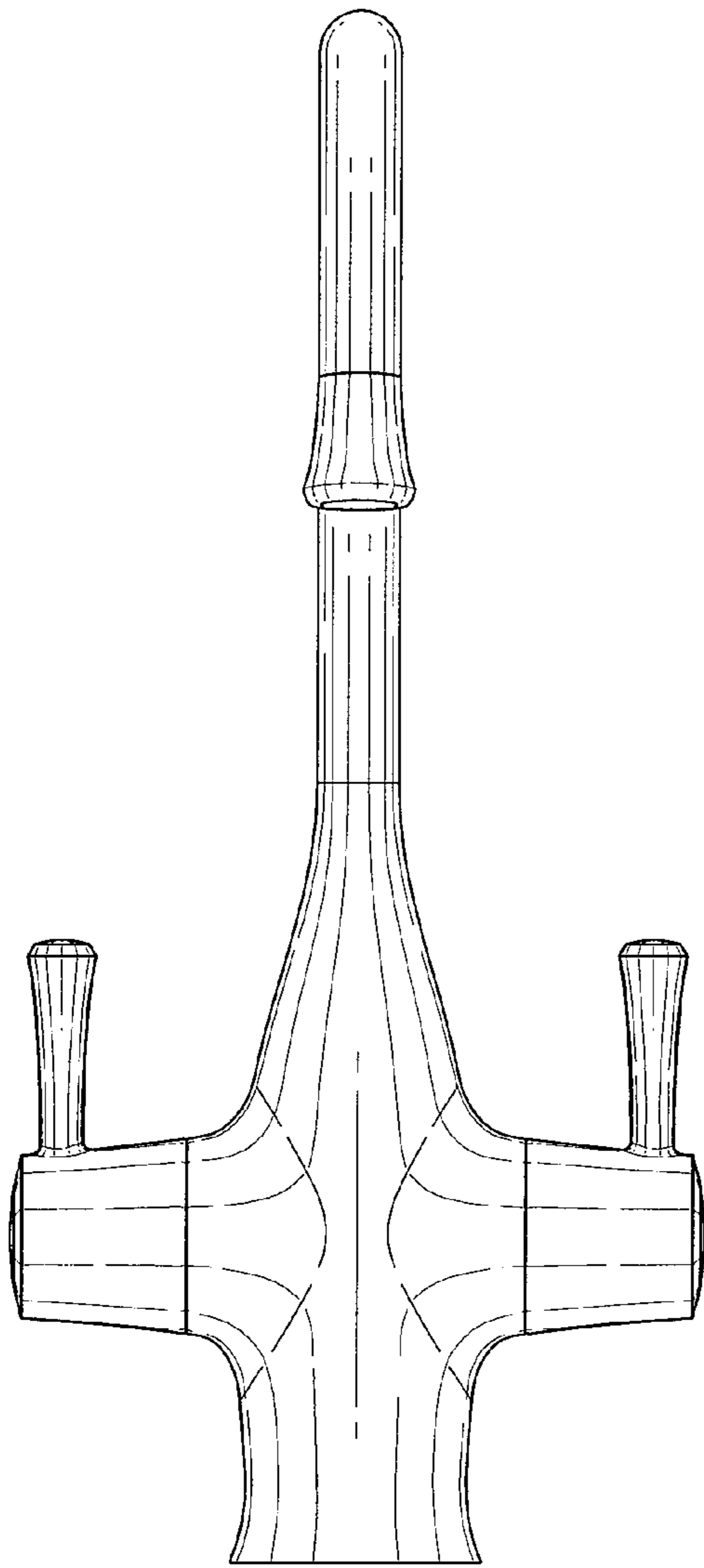


FIG. 2

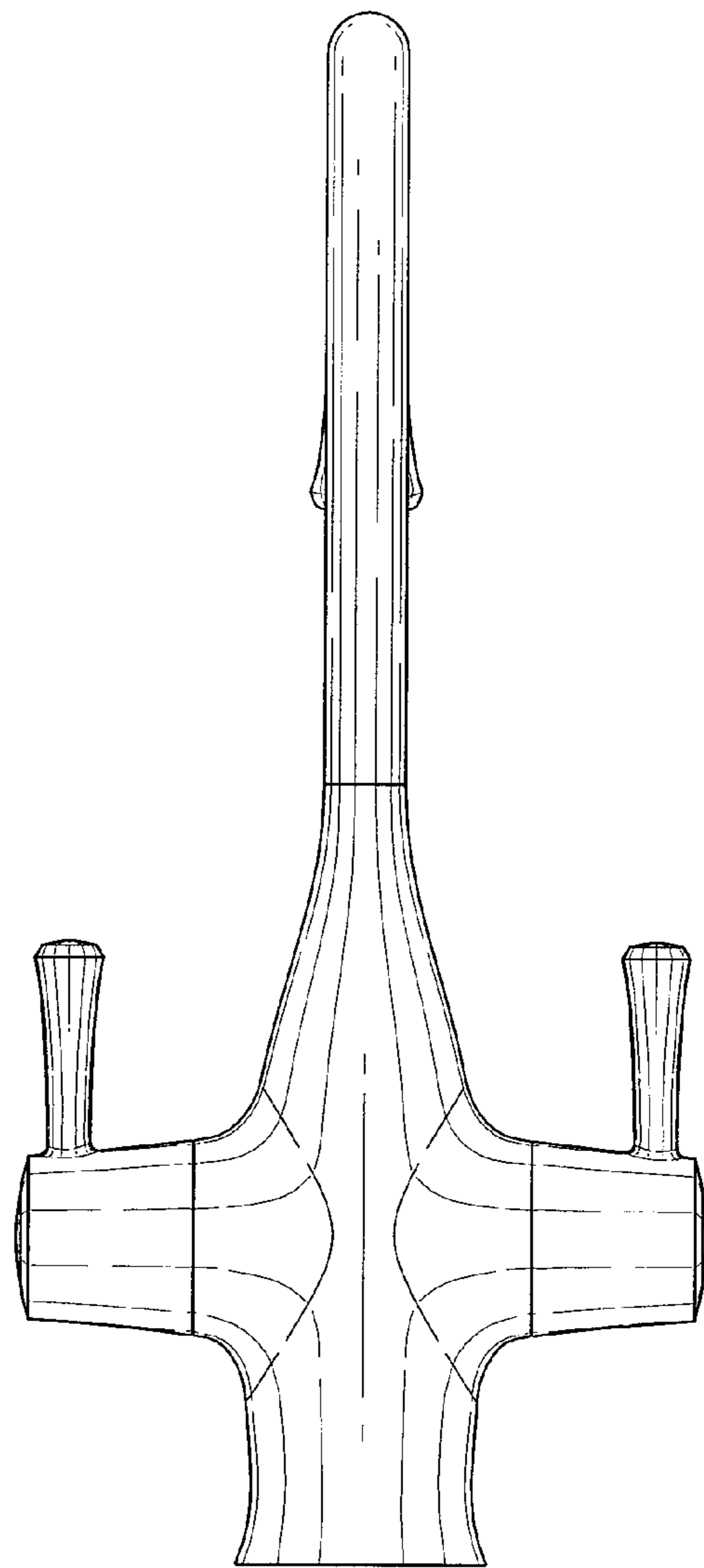


FIG. 3

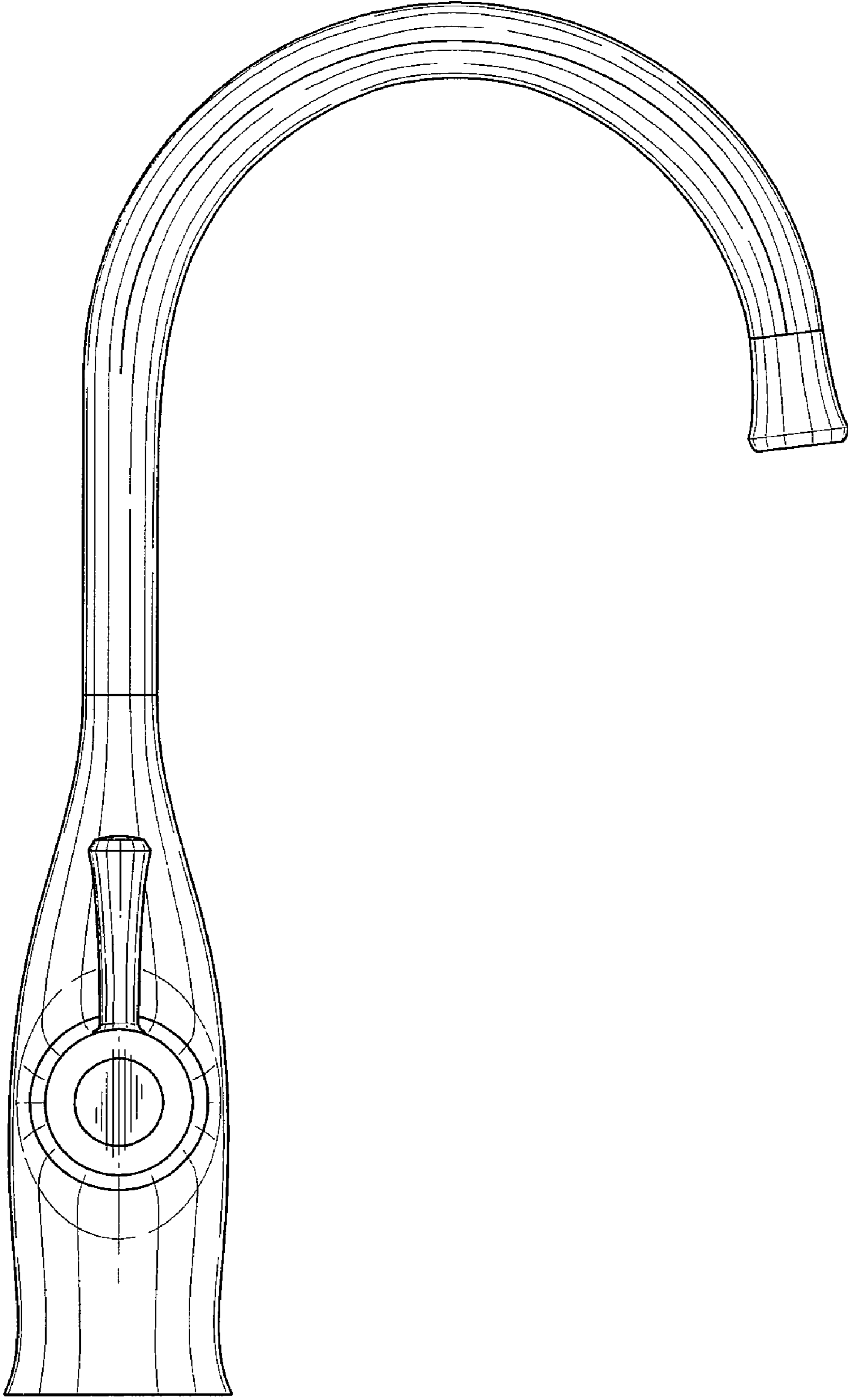


FIG. 4

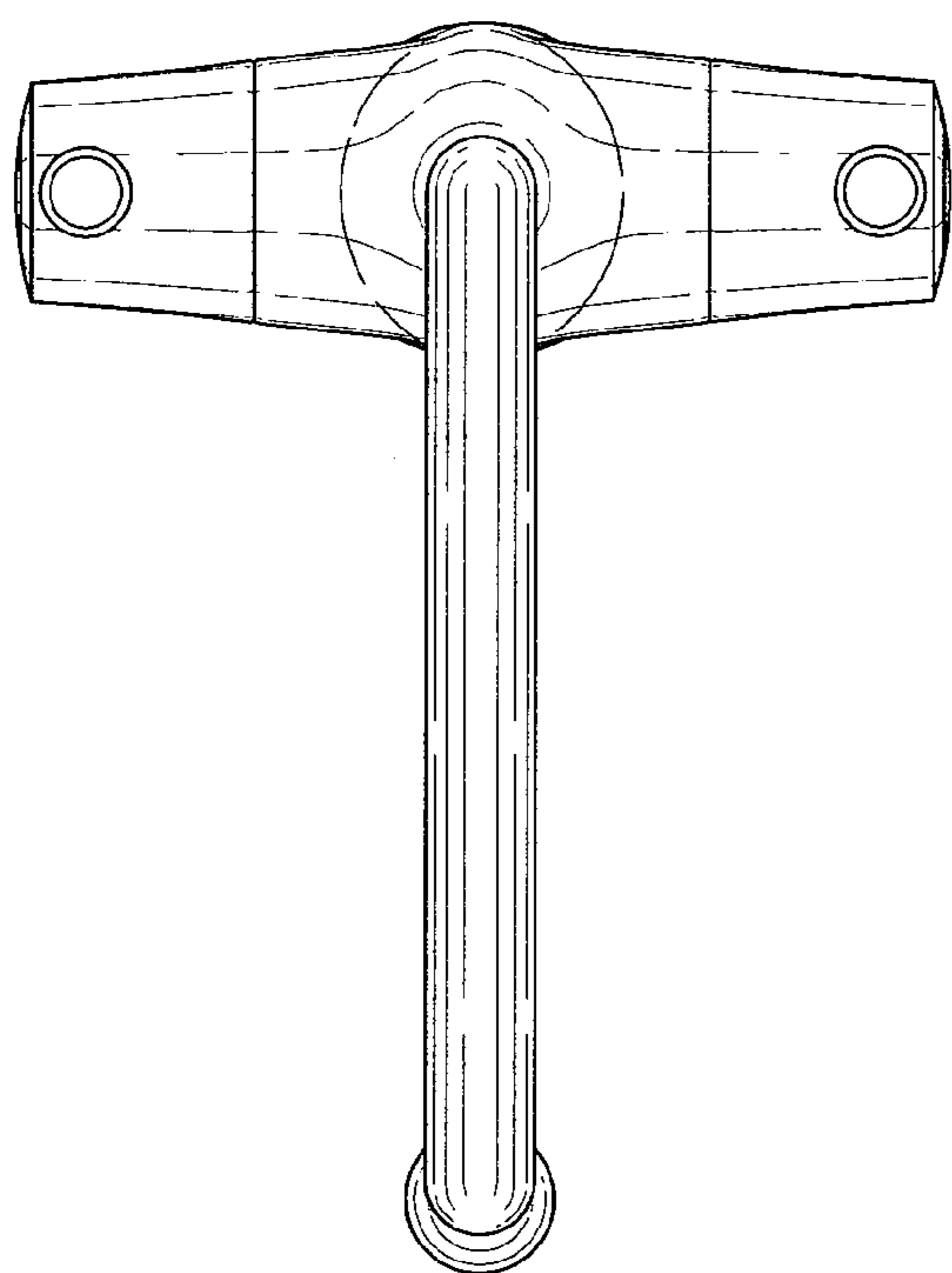


FIG. 5

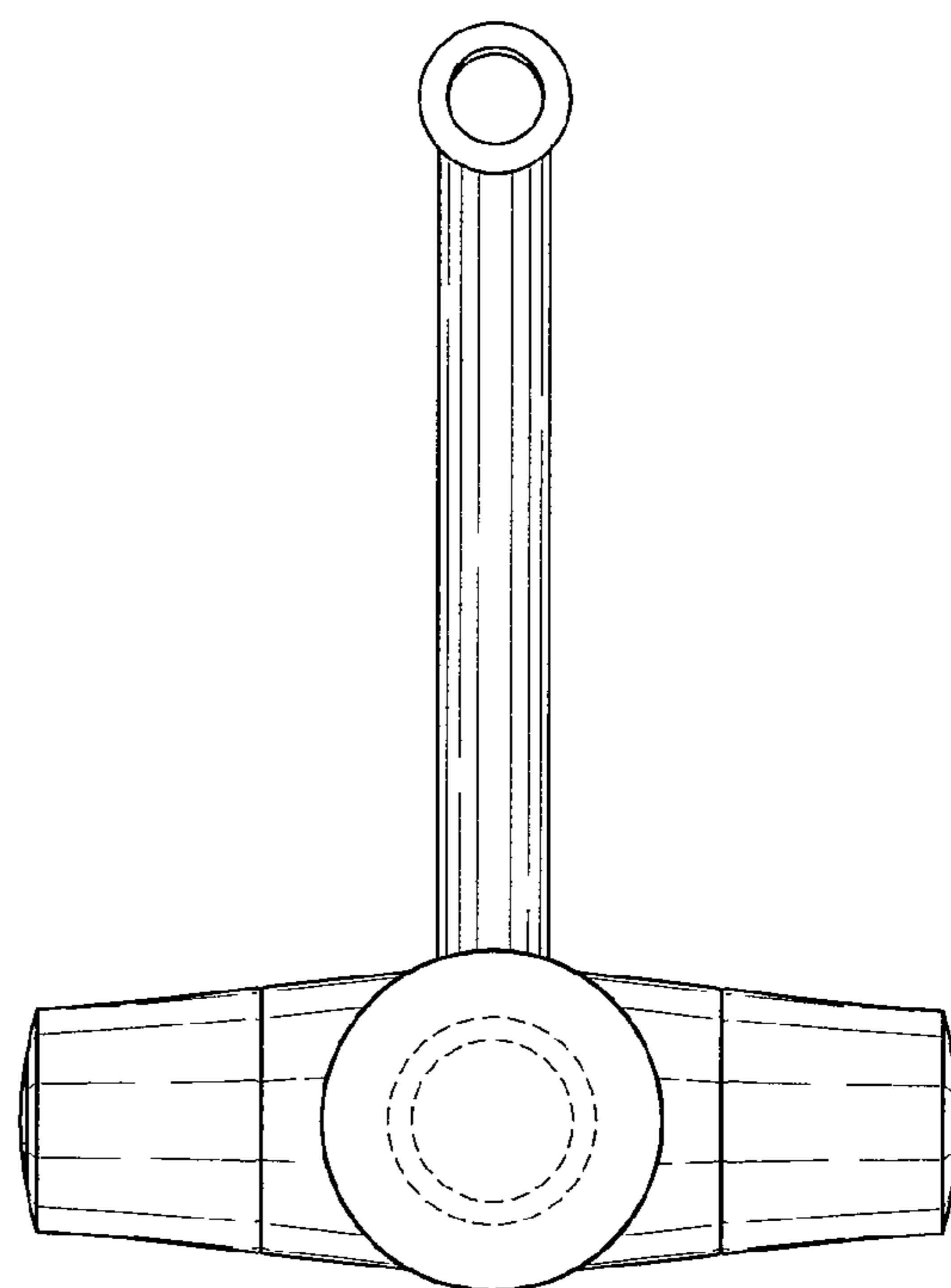


FIG. 6