



US00D632362S

(12) **United States Design Patent**
Ito et al.

(10) **Patent No.:** **US D632,362 S**

(45) **Date of Patent:** **** *Feb. 8, 2011**

(54) **PRESSURE REGULATOR**

(75) Inventors: **Shinichi Ito**, Tsukubamirai (JP);
Michihiro Hanada, Tsukubamirai (JP)

(73) Assignee: **SMC Corporation**, Chiyoda-ku, Tokyo
(JP)

(*) Notice: This patent is subject to a terminal disclaimer.

(**) Term: **14 Years**

(21) Appl. No.: **29/365,168**

(22) Filed: **Jul. 4, 2010**

(30) **Foreign Application Priority Data**

Mar. 4, 2010 (JP) 2010-005210

(51) **LOC (9) Cl.** **23-01**

(52) **U.S. Cl.** **D23/233**

(58) **Field of Classification Search** D23/200,
D23/207, 209, 233-237, 244-245, 249; D10/83,
D10/85; 137/82.1, 116.3, 116.5, 237, 463,
137/505, 505.25, 505.41-505.43, 505.46,
137/549, 557, 614.2, 855, 906

See application file for complete search history.

(56) **References Cited**

U.S. PATENT DOCUMENTS

D103,582 S * 3/1937 Murphy D23/235

D301,914 S * 6/1989 Ogasawara et al. D23/209

D317,494 S * 6/1991 Miyake et al. D23/235

D410,525 S * 6/1999 Uehara et al. D23/235

D416,310 S * 11/1999 Uehara et al. D23/235

D444,723 S * 7/2001 Honma D10/85

* cited by examiner

Primary Examiner—Cathron C. Brooks

Assistant Examiner—Maurice Stevens

(74) *Attorney, Agent, or Firm*—Yokoi & Co., U.S.A., Inc.;

Toshiyuki Yokoi

(57) **CLAIM**

The ornamental design for a pressure regulator, as shown and described.

DESCRIPTION

FIG. 1 shows a front view of a pressure regulator showing my new design;

FIG. 2 shows a rear view thereof;

FIG. 3 shows a right side view thereof;

FIG. 4 shows a left side view thereof;

FIG. 5 shows a top view thereof;

FIG. 6 shows a bottom view thereof;

FIG. 7 shows a top, front and right side perspective view thereof; and,

FIG. 8 shows a bottom, front and left side perspective view thereof.

The broken lines showing unclaimed portions of the pressure regulator in FIGS. 3 and 4 form no part of the claimed design.

1 Claim, 7 Drawing Sheets

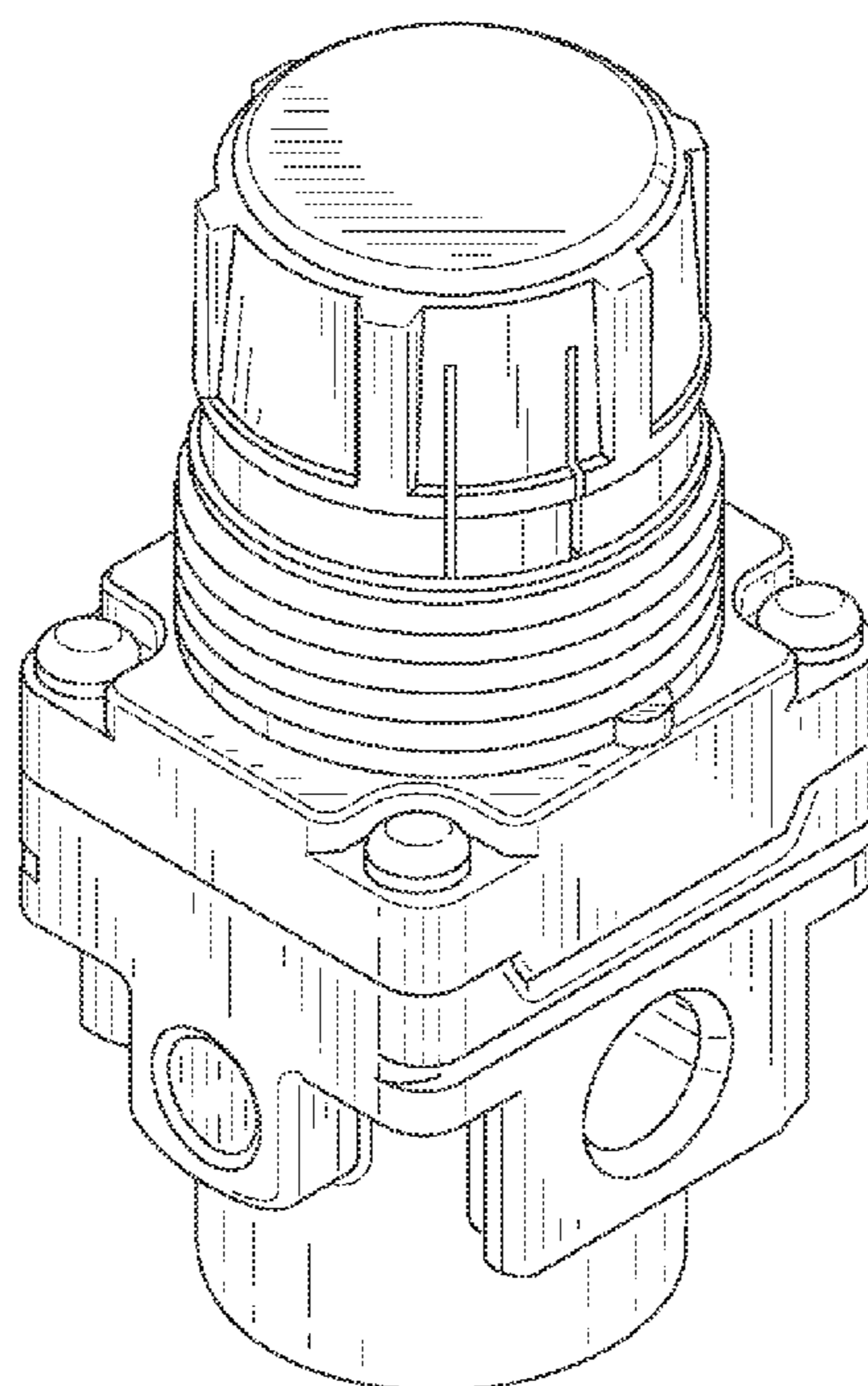


FIG. 1

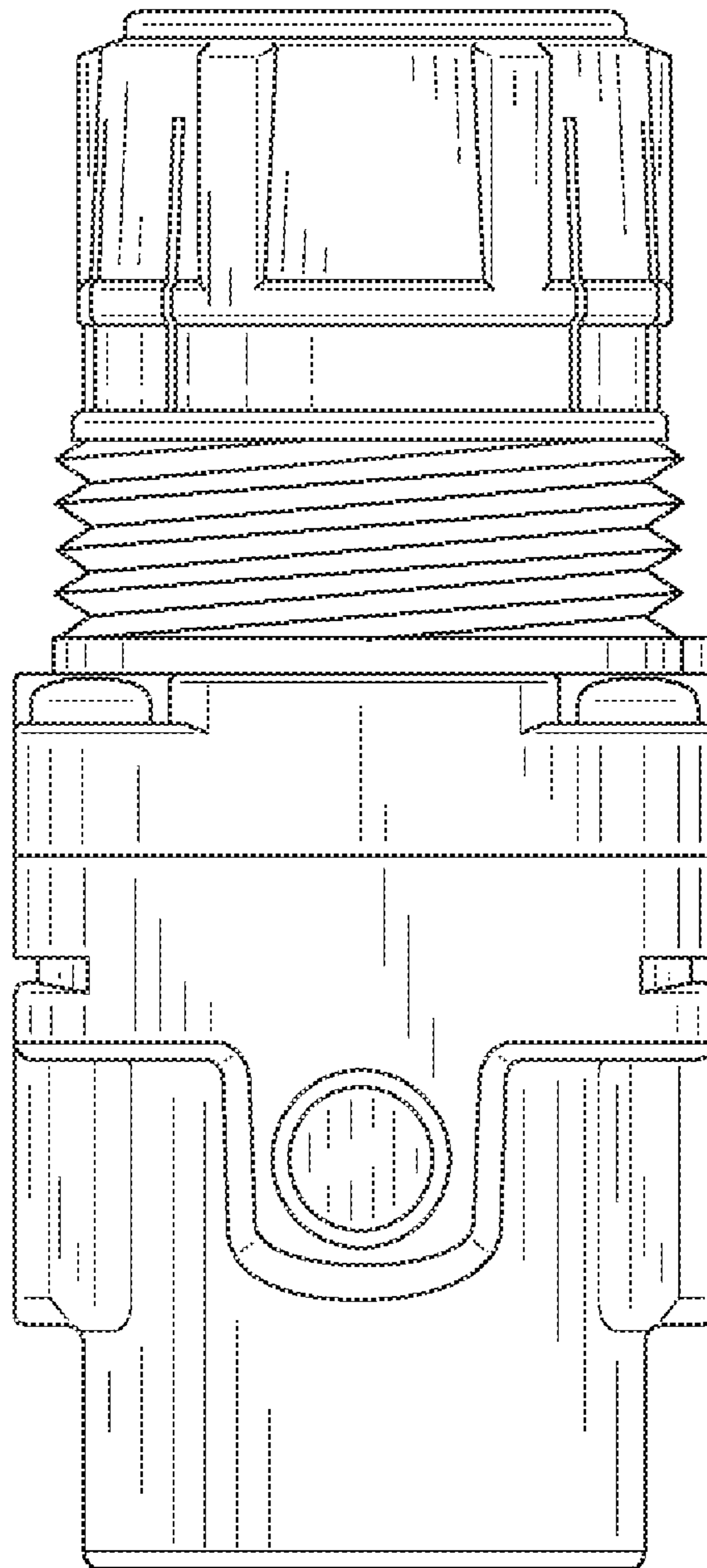


FIG. 2

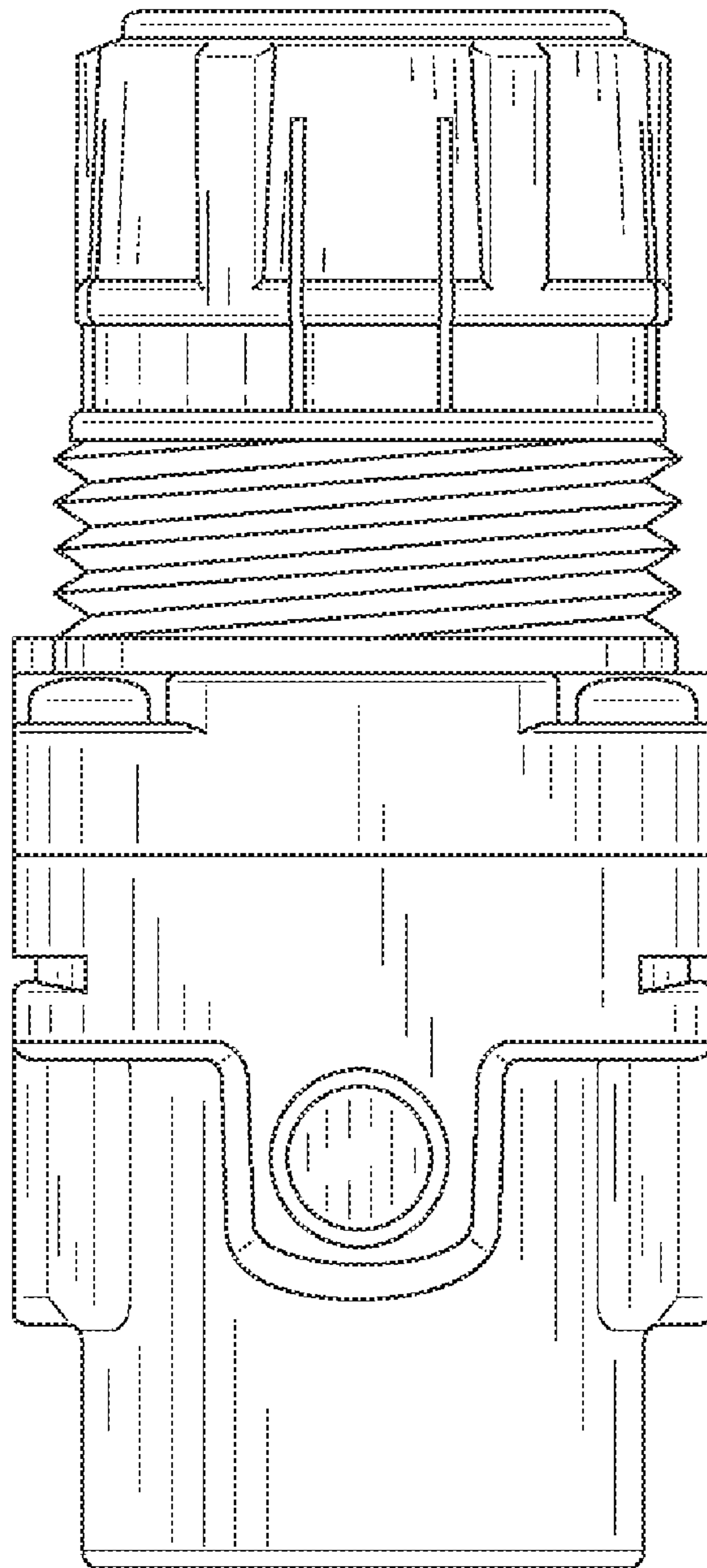


FIG. 3

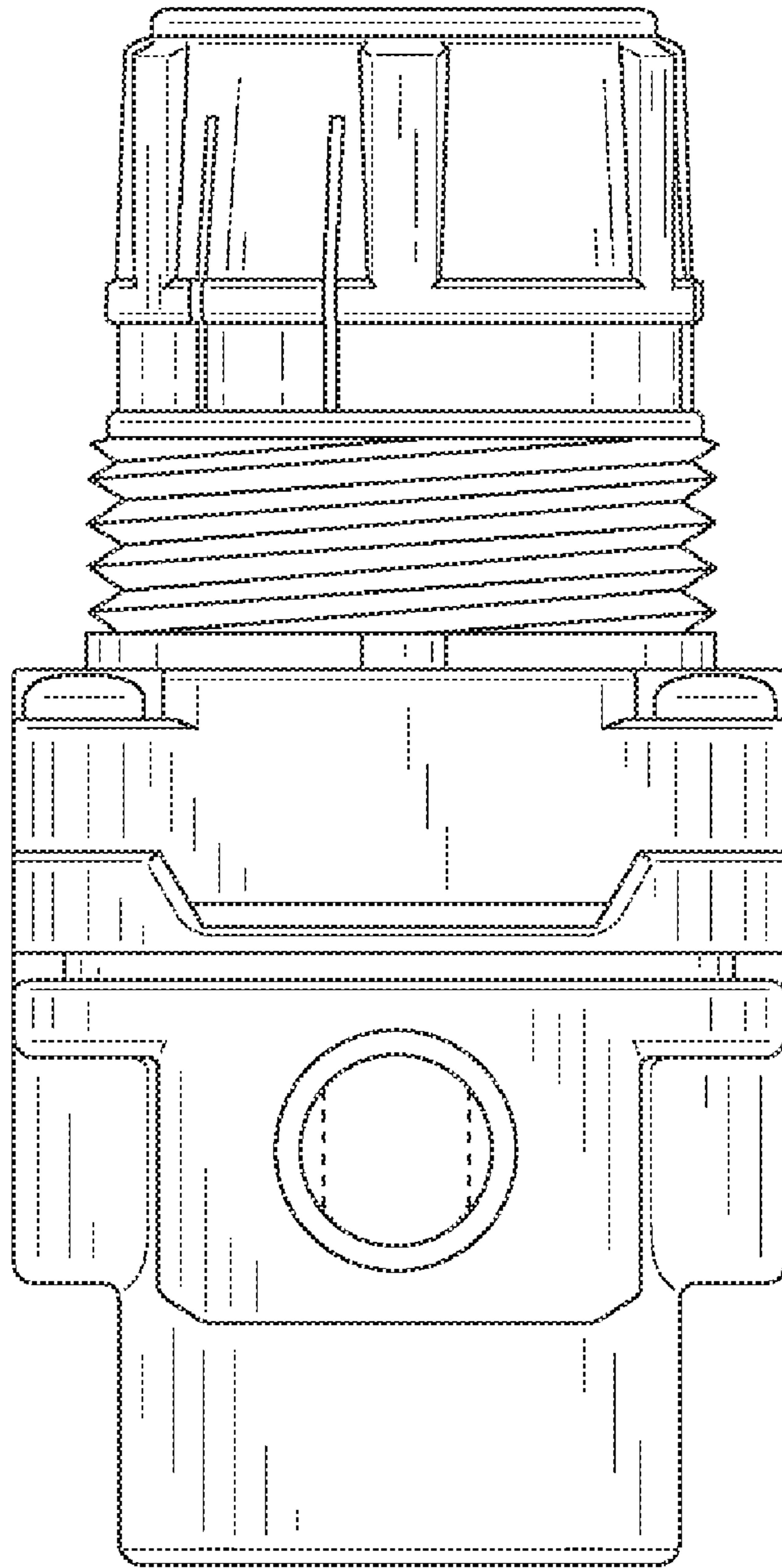


FIG. 4

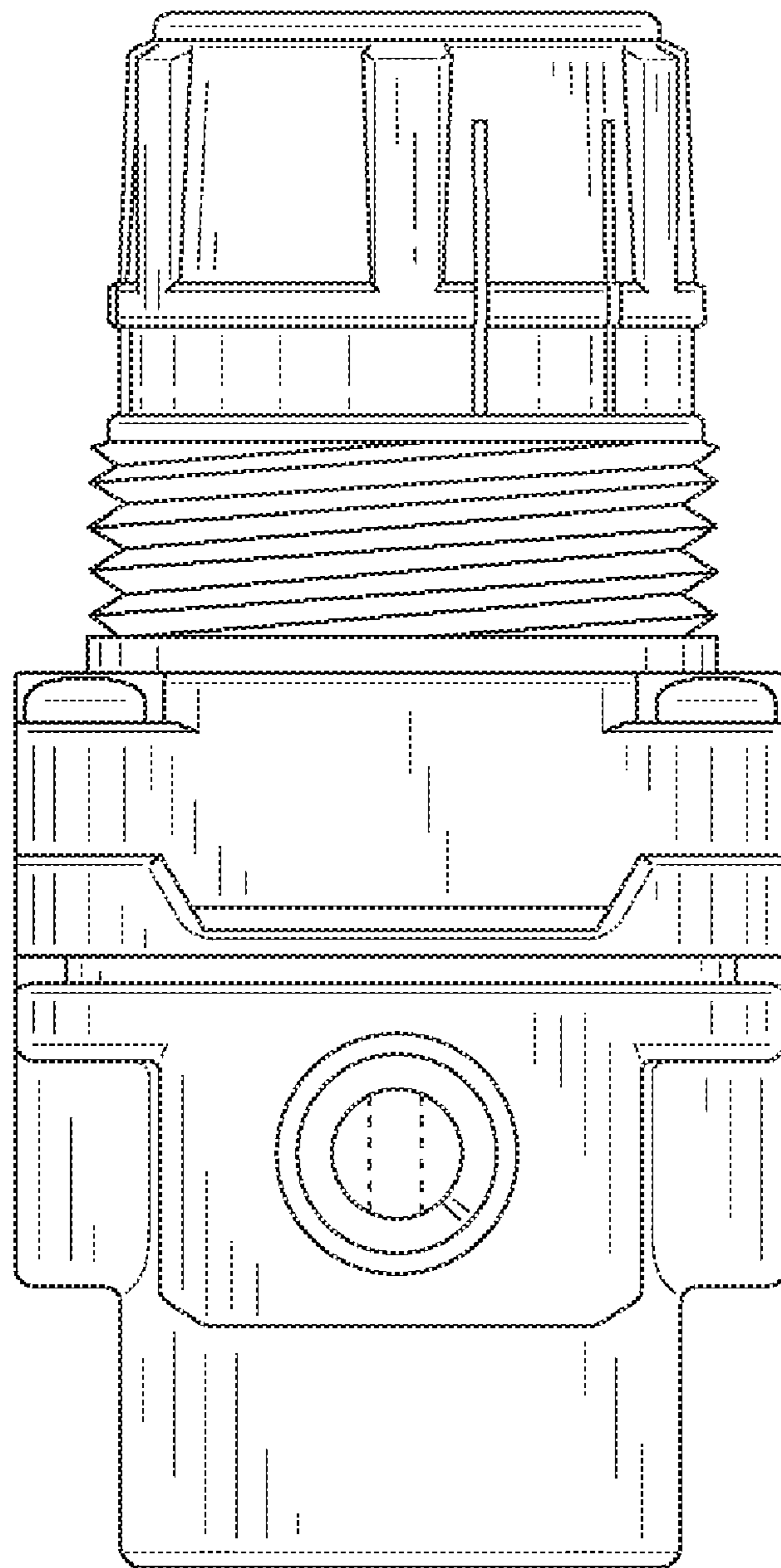


FIG. 5

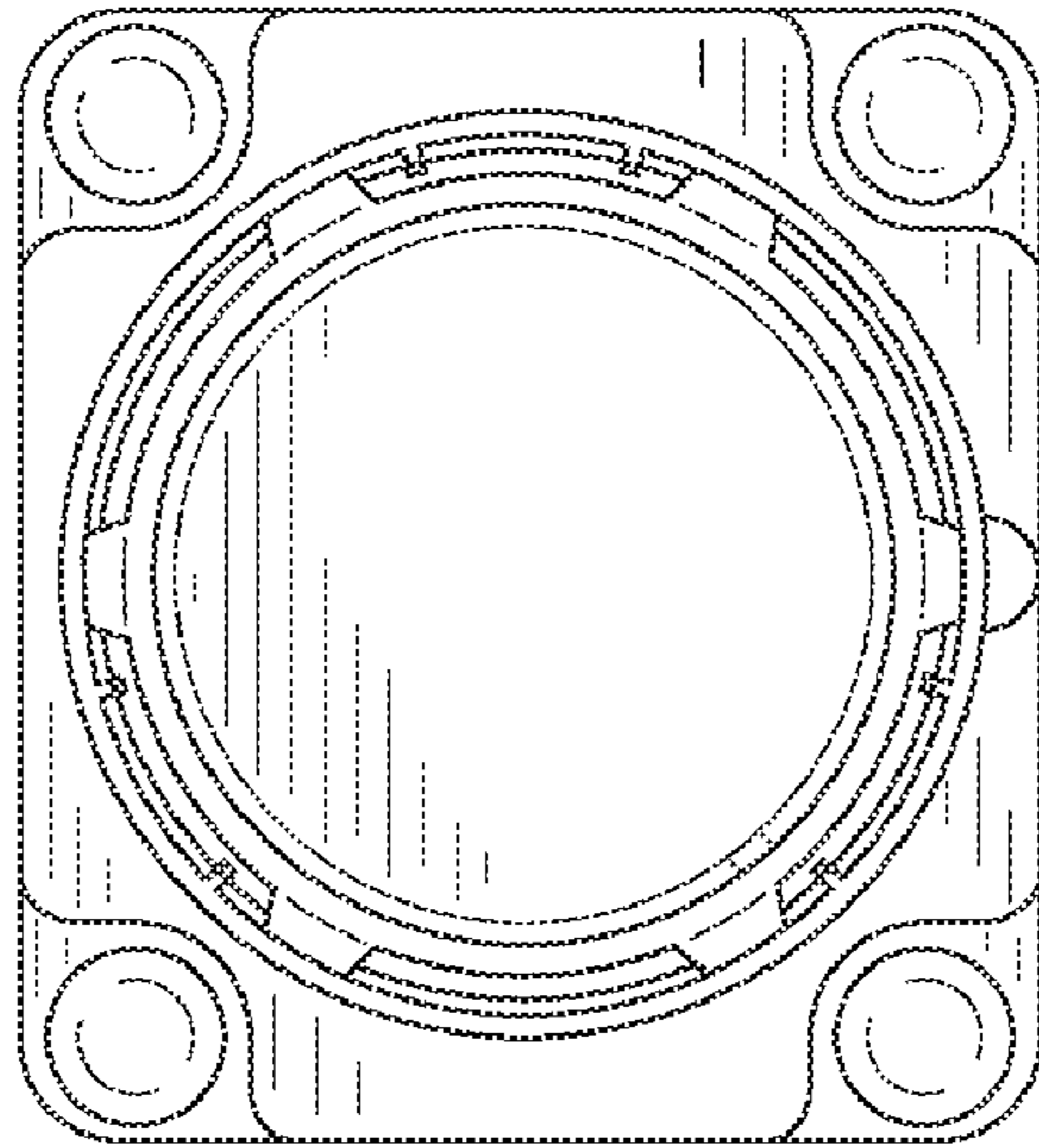


FIG. 6

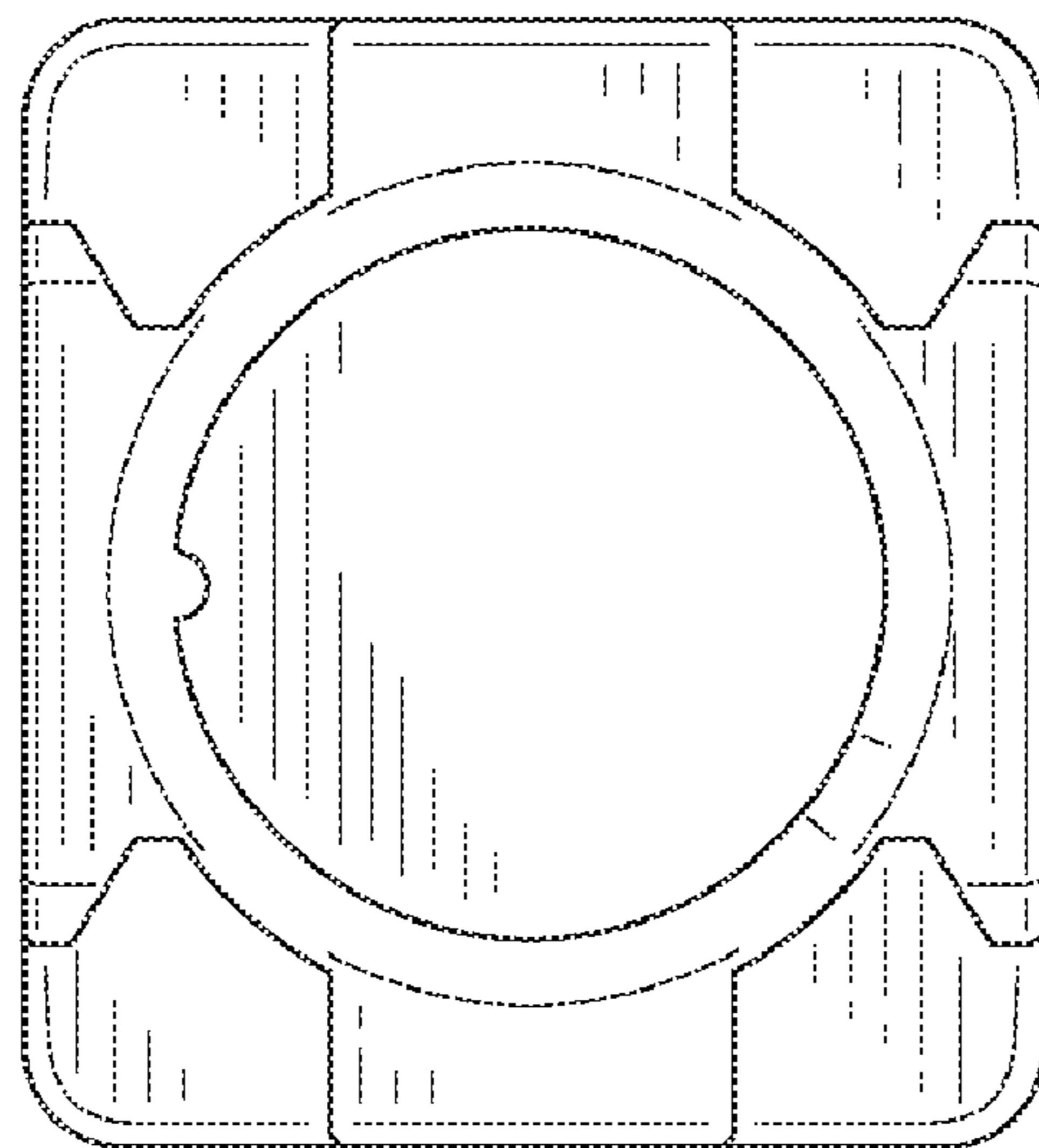


FIG. 7

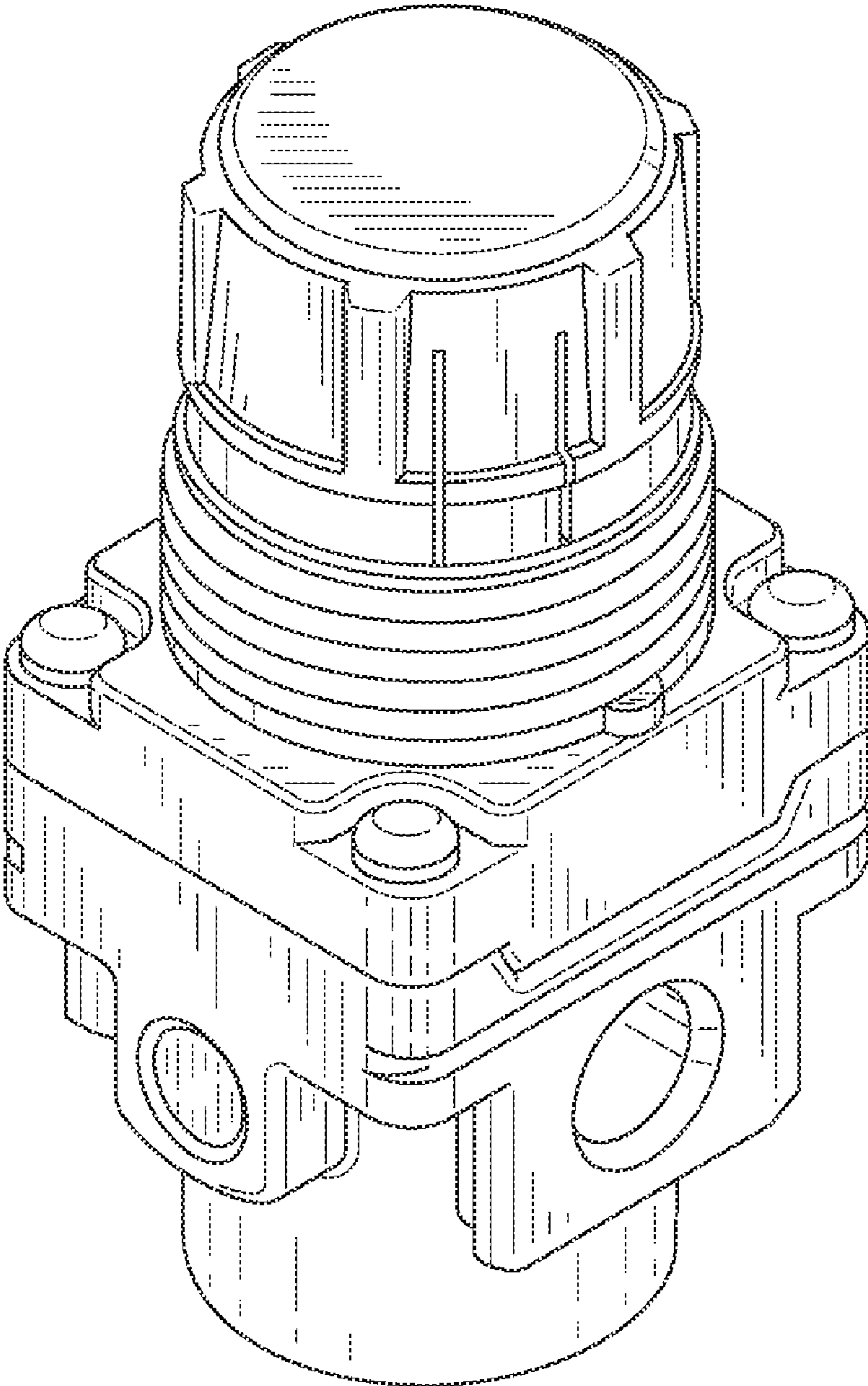


FIG. 8

