



US00D632361S

(12) **United States Design Patent**  
**Bobby et al.**

(10) **Patent No.:** **US D632,361 S**  
(45) **Date of Patent:** **\*\* Feb. 8, 2011**

(54) **VALVE BODY**

D430,647 S 9/2000 Bergum et al.

(Continued)

(75) Inventors: **Brian Bobby**, North Ridgeville, OH (US); **Travis G. Ramler**, Elyria, OH (US)

FOREIGN PATENT DOCUMENTS

EP 214373 A1 8/1987

(Continued)

(73) Assignee: **Bendix Commercial Vehicle Systems LLC**, Elyria, OH (US)

OTHER PUBLICATIONS

Bendix Service Data SD-03-824, Bendix TC-7 Trailer Control Brake Valve, 4 pages, Mar. 2004, printed USA.

(Continued)

(\*\*) Term: **14 Years**

(21) Appl. No.: **29/361,156**

(22) Filed: **May 6, 2010**

*Primary Examiner*—Cathron C. Brooks

*Assistant Examiner*—Maurice Stevens

(74) *Attorney, Agent, or Firm*—Calfee, Halter & Griswold LLP

**Related U.S. Application Data**

(63) Continuation of application No. 29/350,750, filed on Nov. 23, 2009, now Pat. No. Des. 617,875, which is a continuation of application No. 29/257,620, filed on Apr. 7, 2006, now Pat. No. Des. 607,087.

(57) **CLAIM**

We claim the ornamental design for a valve body, as shown and described.

(51) **LOC (9) Cl.** ..... **23-01**

(52) **U.S. Cl.** ..... **D23/233**

(58) **Field of Classification Search** ..... D23/233–237, D23/213, 244–249; 137/883, 885, 454.2, 137/331; 251/309, 310, 314, 315.14, 318–334, 251/335.5, 356–368; D15/5

See application file for complete search history.

**DESCRIPTION**

FIG. 1 is a perspective view of a valve body that is one embodiment of the new design;

FIG. 2 is a bottom view of the valve body of FIG. 1;

FIG. 3 is a top view of the valve body of FIG. 1;

FIG. 4 is a first side view of the valve body of FIG. 1;

FIG. 5 is a second side view of the valve body of FIG. 1;

FIG. 6 is a front side view of the valve body of FIG. 1; and,

FIG. 7 is a back view of the valve body of FIG. 1.

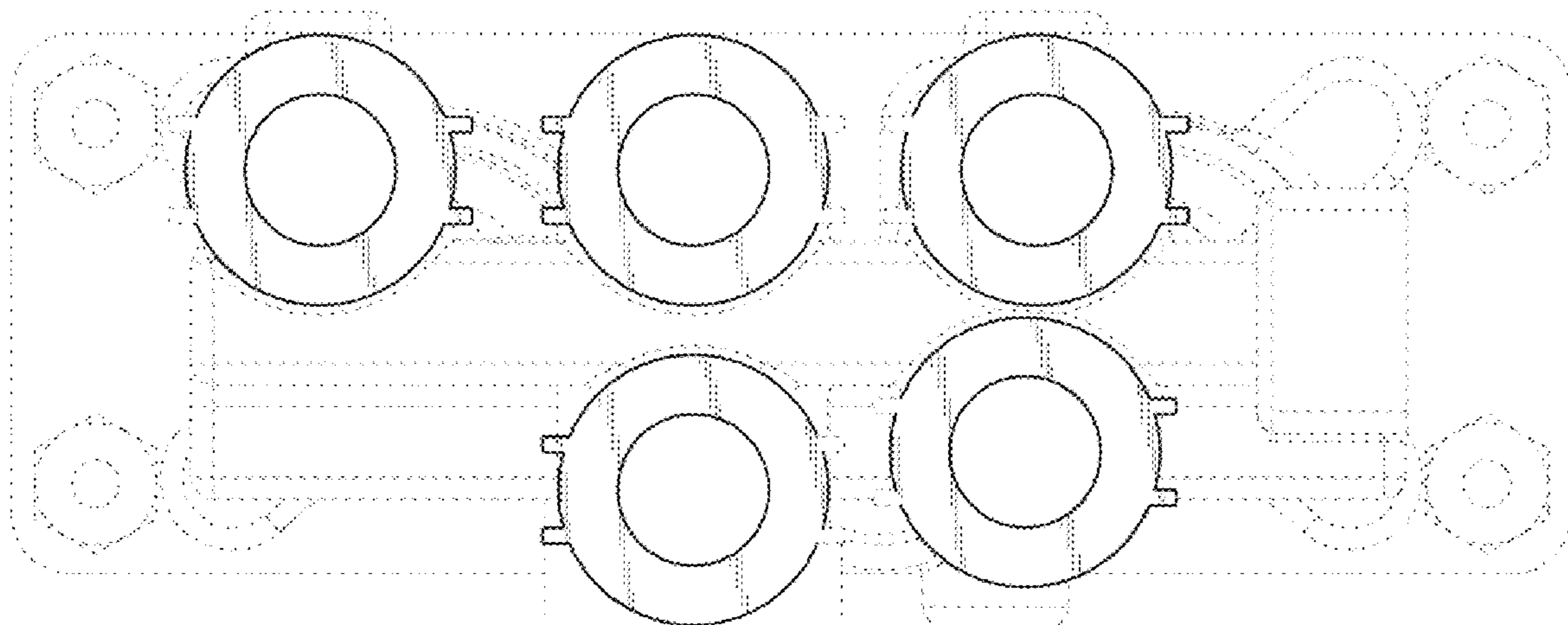
The portions of the Figures shown in phantom lines are not part of the claimed design and are for illustration only.

(56) **References Cited**

U.S. PATENT DOCUMENTS

D297,256 S 8/1988 Schwarz  
D360,459 S 7/1995 Tschaeppler  
5,622,544 A 4/1997 Shamine et al.  
5,853,024 A 12/1998 Life  
6,094,836 A 8/2000 Mahoney et al.

**1 Claim, 7 Drawing Sheets**



# US D632,361 S

Page 2

## U.S. PATENT DOCUMENTS

6,581,297 B1 6/2003 Ginder  
6,585,806 B2 7/2003 Quinn et al.  
D482,435 S 11/2003 Kawakami et al.  
6,701,709 B2 3/2004 Issac, Jr. et al.  
6,730,143 B1 5/2004 Nichols et al.  
D495,036 S \* 8/2004 Fukai ..... D23/249  
D498,820 S \* 11/2004 Fukai ..... D23/249  
D499,172 S 11/2004 Tripp et al.  
6,824,594 B2 11/2004 Larsson  
6,878,194 B2 4/2005 Hoffman et al.  
D513,786 S 1/2006 Montano et al.  
D518,874 S 4/2006 Takeda et al.  
D519,188 S 4/2006 Hay  
7,100,305 B2 9/2006 Hoffman et al.  
D542,888 S 5/2007 Ye et al.  
D546,419 S 7/2007 Steinberg  
D546,920 S 7/2007 Fulkerson  
7,273,072 B2 9/2007 Muller  
D570,880 S 6/2008 Miller et al.  
D574,940 S 8/2008 Quinn et al.  
D578,549 S 10/2008 Nimberger  
7,469,708 B2 12/2008 Koester  
D591,309 S 4/2009 Bobby et al.

7,544,234 B2 6/2009 Fornof  
D597,630 S 8/2009 Easton  
7,568,496 B2 8/2009 Kraenzle  
D604,821 S 11/2009 Quinn et al.  
D606,163 S \* 12/2009 Bobby et al. .... D23/233  
D607,087 S 12/2009 Bobby et al.  
7,637,977 B2 12/2009 Lucidera  
D621,017 S 8/2010 Quinn et al.  
2002/0017283 A1 2/2002 Furuya  
2004/0083893 A1 5/2004 Larsson  
2007/0084348 A1 4/2007 Hoffman et al.  
2008/0307965 A1 12/2008 Hoffman et al.  
2009/0199523 A1 8/2009 Hilberer

## FOREIGN PATENT DOCUMENTS

WO 8911054 A1 11/1989

## OTHER PUBLICATIONS

Bendix Service Data SD-03-821, Bendix TC-6 Trailer Control Brake Valve, 4 pages, Mar. 2004, printed USA.  
Bendix Air System Components 03, Brake Valves, 5 pages, Mar. 2004, printed USA.

\* cited by examiner

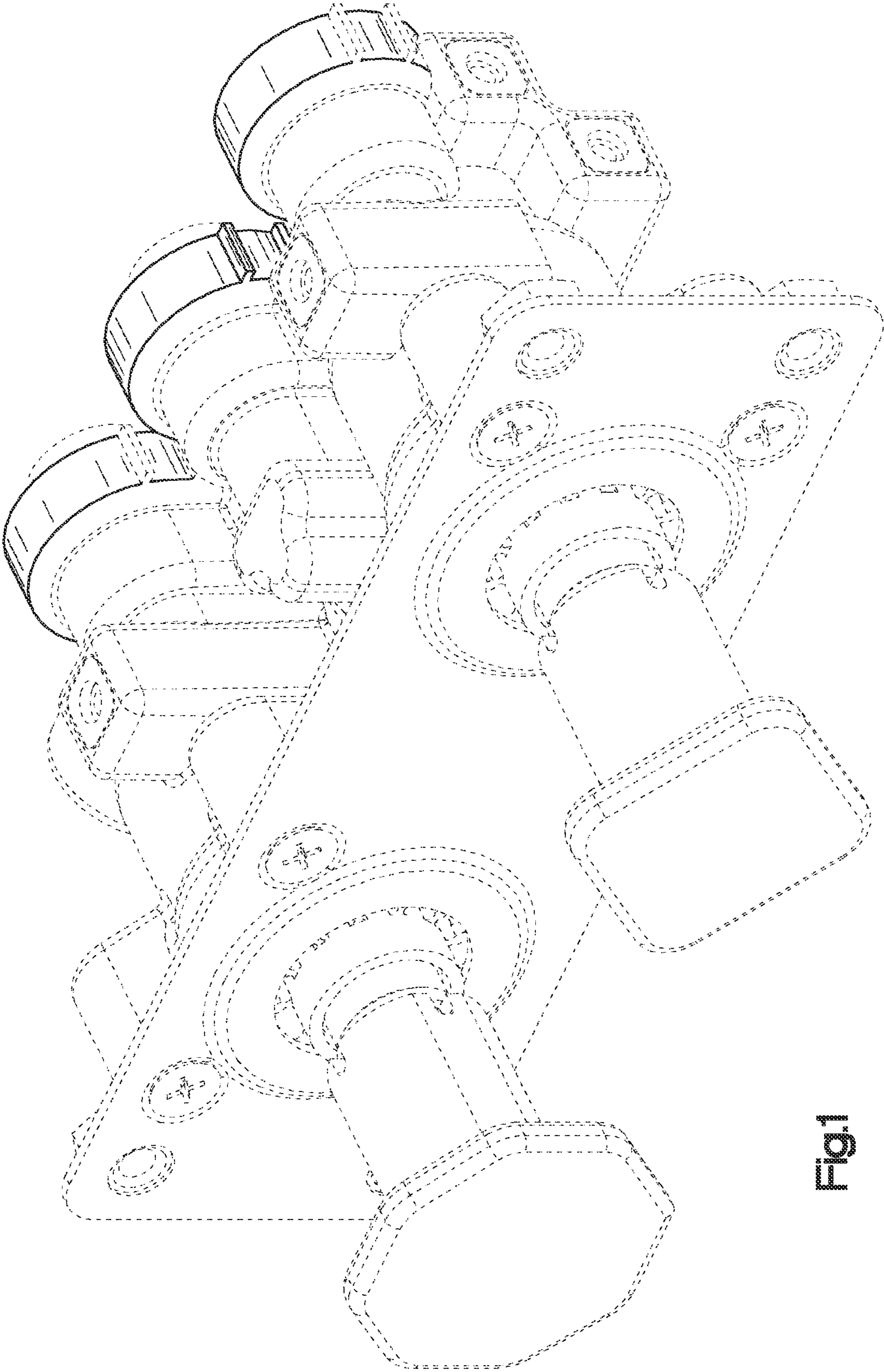


FIG. 1

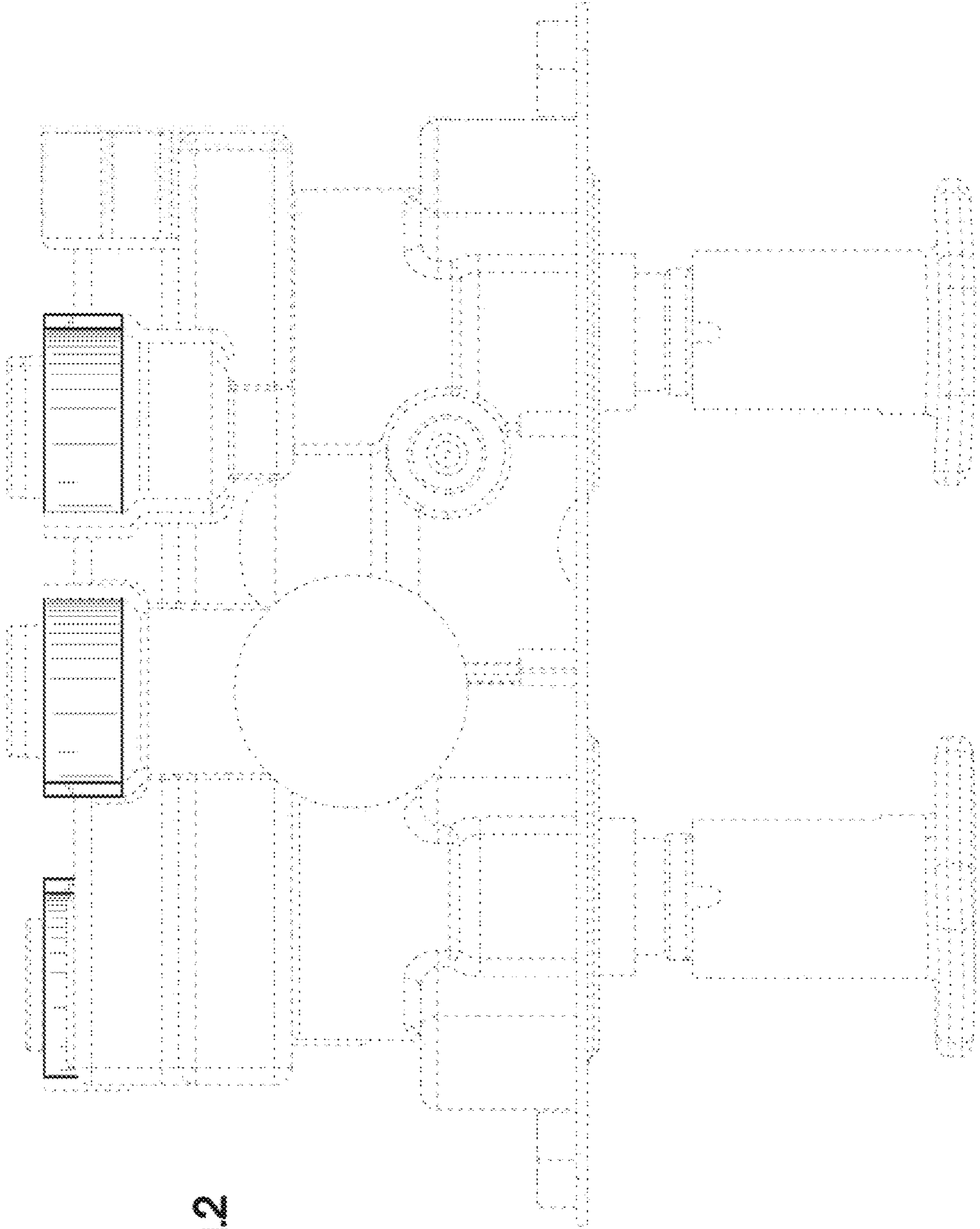


Fig. 2

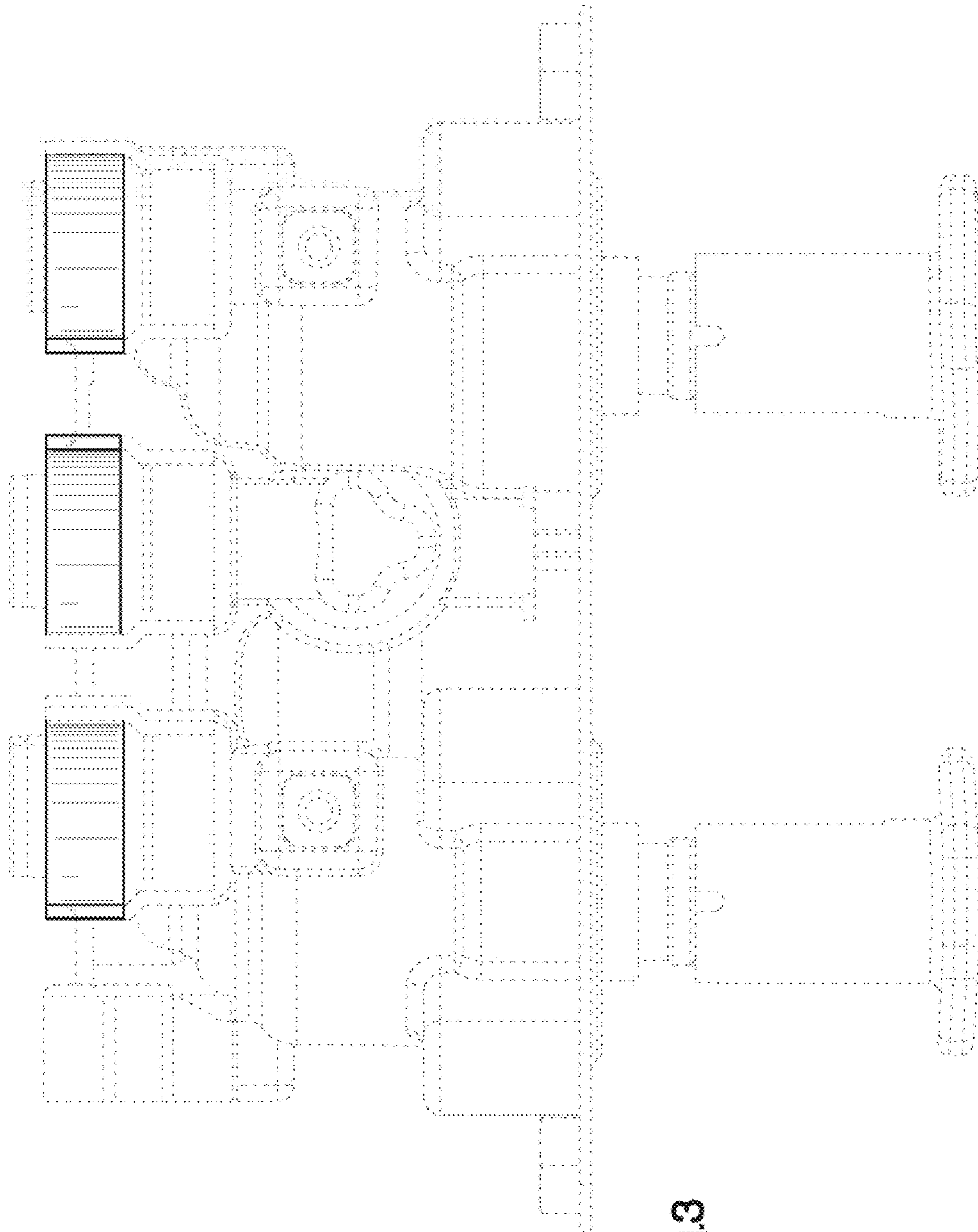


Fig. 3

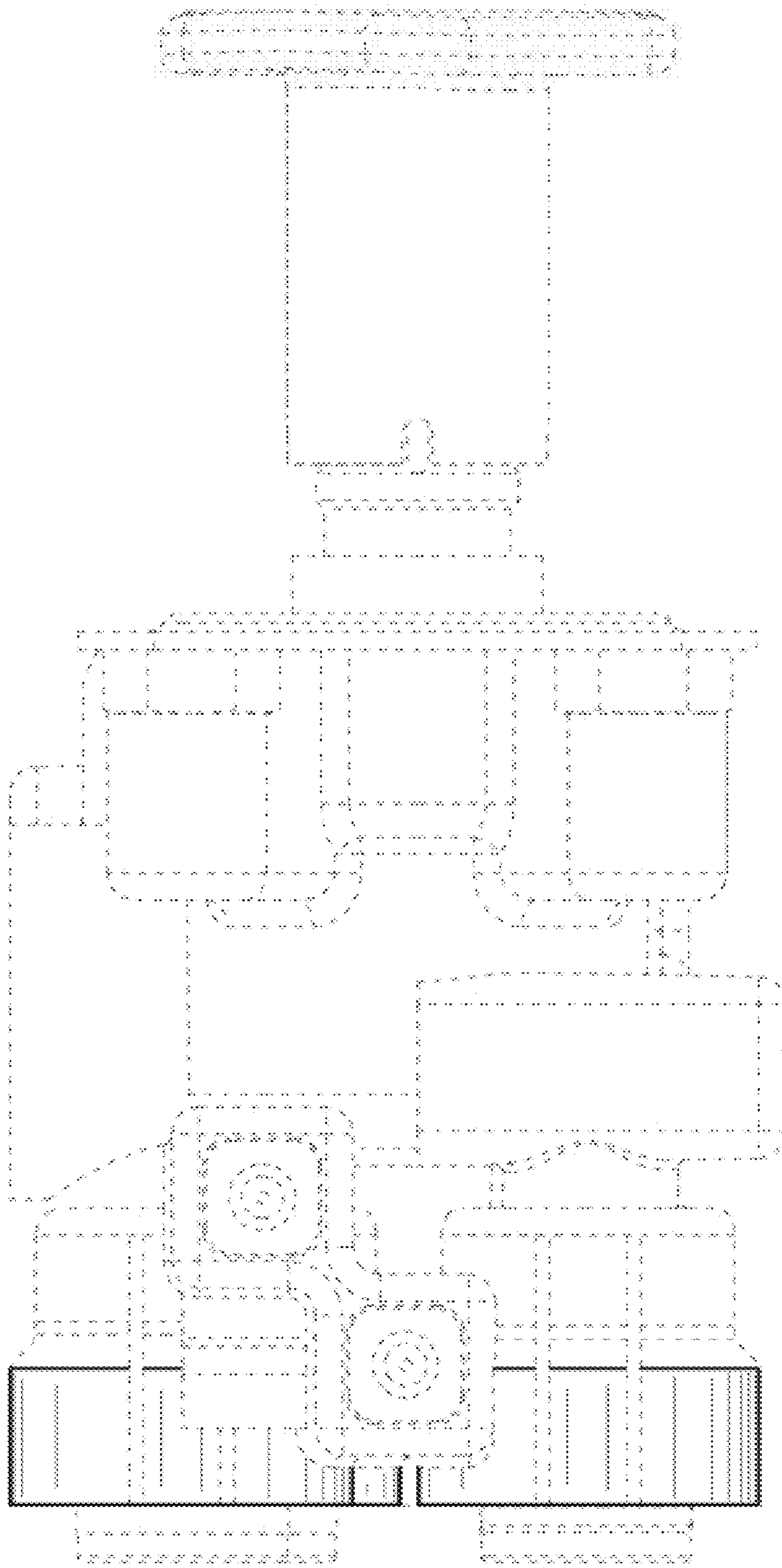


Fig.4

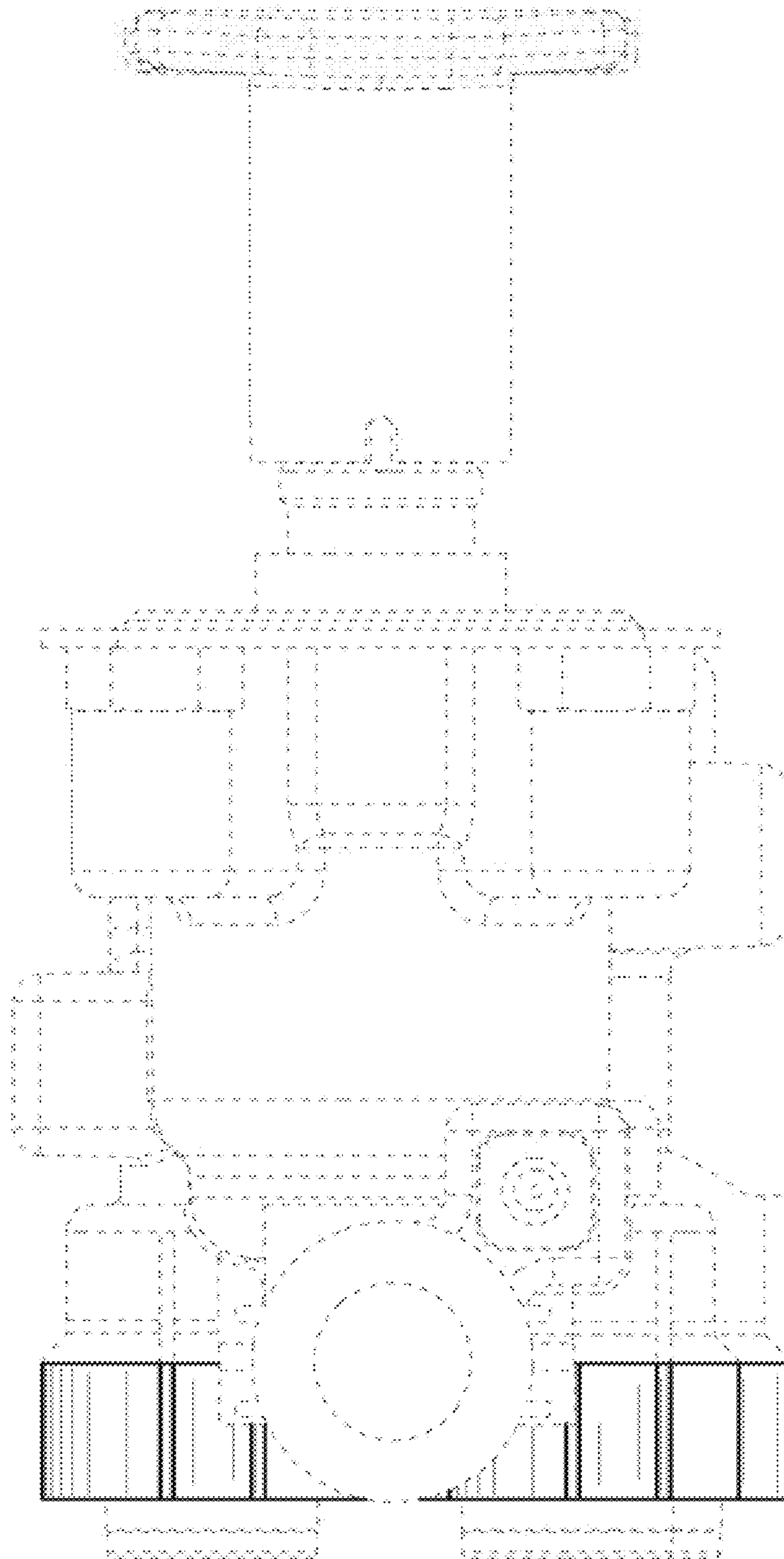


Fig.5

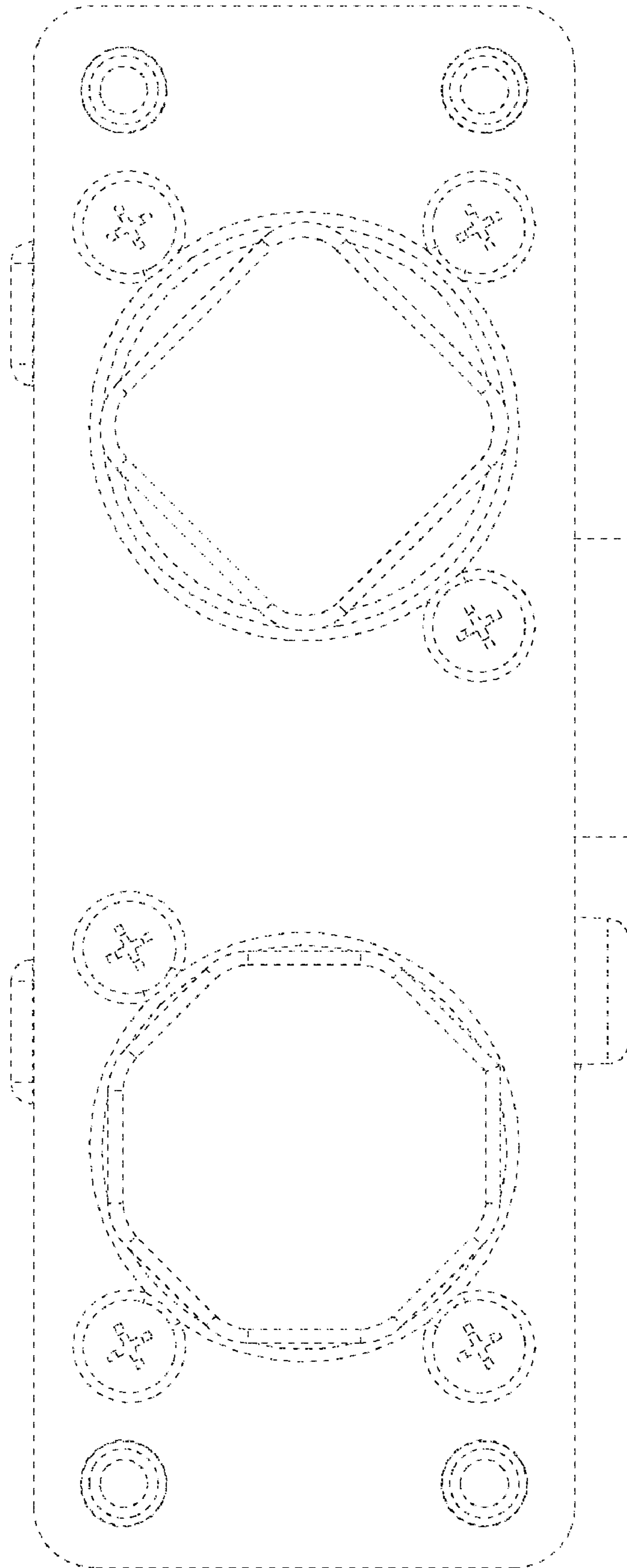


Fig. 6



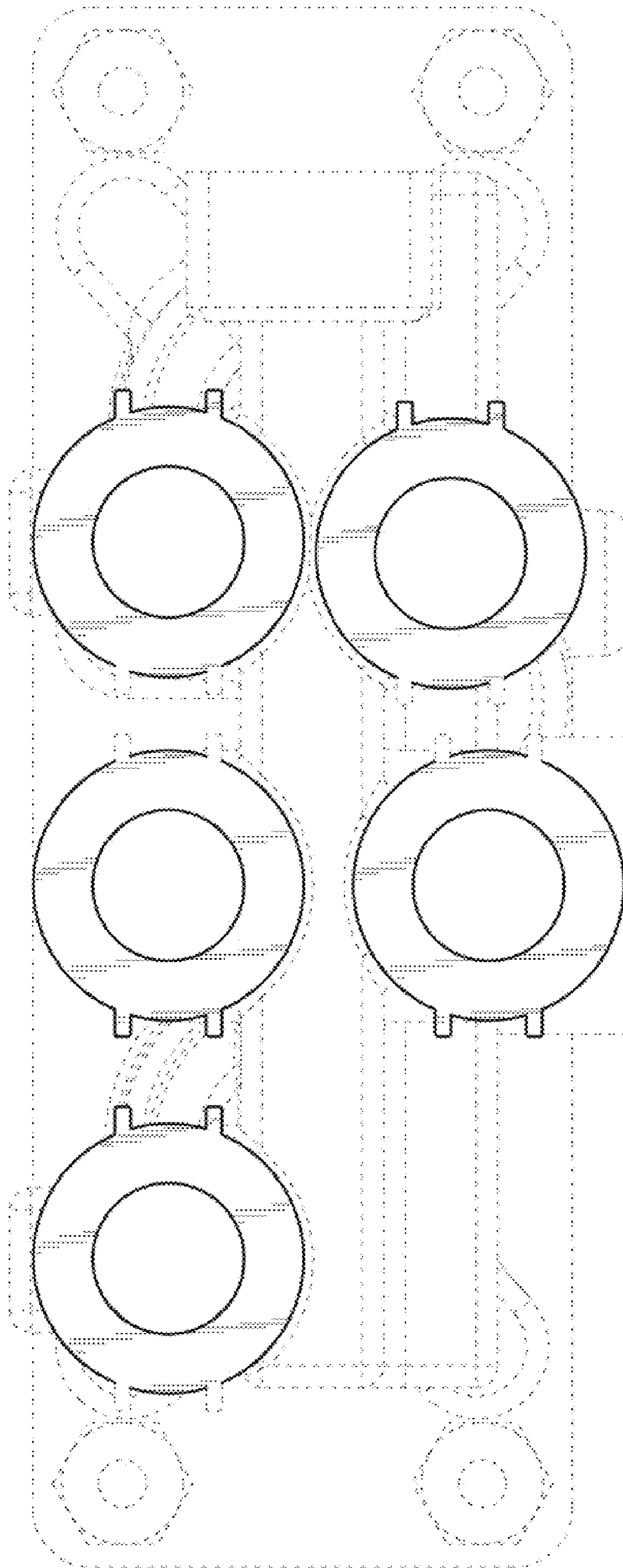


Fig.7