



US00D632360S

(12) **United States Design Patent**
Goutière et al.

(10) **Patent No.:** **US D632,360 S**
(45) **Date of Patent:** **** Feb. 8, 2011**

(54) **NOZZLE**

7,766,051 B2 * 8/2010 Coutarel et al. 138/135

(75) Inventors: **Vincent Goutière**, St-Fulgence (CA);
Jean Côté, Jonquiere (CA)

FOREIGN PATENT DOCUMENTS
CA 1072042 2/1980
CA 1175779 10/1984

(73) Assignee: **Rio Tinto Alcan International Limited**,
Montréal (CA)

OTHER PUBLICATIONS

(**) Term: **14 Years**

International Search Report, PCT/CA2007/001914, dated Feb. 7, 2008.
Walker, Marcus L., Visualization of Tapping Flows, Comalco Research Centre (1997), p. 215-219.

(21) Appl. No.: **29/367,039**

* cited by examiner

(22) Filed: **Aug. 2, 2010**

Primary Examiner—Robin V Webster
(74) *Attorney, Agent, or Firm*—Banner & Witcoff, Ltd.

Related U.S. Application Data

(62) Division of application No. 29/306,096, filed on Apr. 2, 2008.

(57) **CLAIM**

The ornamental design for a nozzle, as shown and described.

(51) **LOC (9) Cl.** **23-01**

(52) **U.S. Cl.** **D23/213; D23/266**

(58) **Field of Classification Search** D23/213,
D23/266; D8/30; D15/144.2; 138/134,
138/DIG. 11

DESCRIPTION

FIG. 1 is a perspective view of a nozzle showing our new design;

See application file for complete search history.

FIG. 2 is a top plan view thereof;

FIG. 3 is a bottom plan view thereof;

FIG. 4 is a right side elevation view thereof;

FIG. 5 is a left side elevation view thereof;

FIG. 6 is a first end elevation view thereof; and,

FIG. 7 is a second end elevation view thereof, opposite the first end elevation view of FIG. 6.

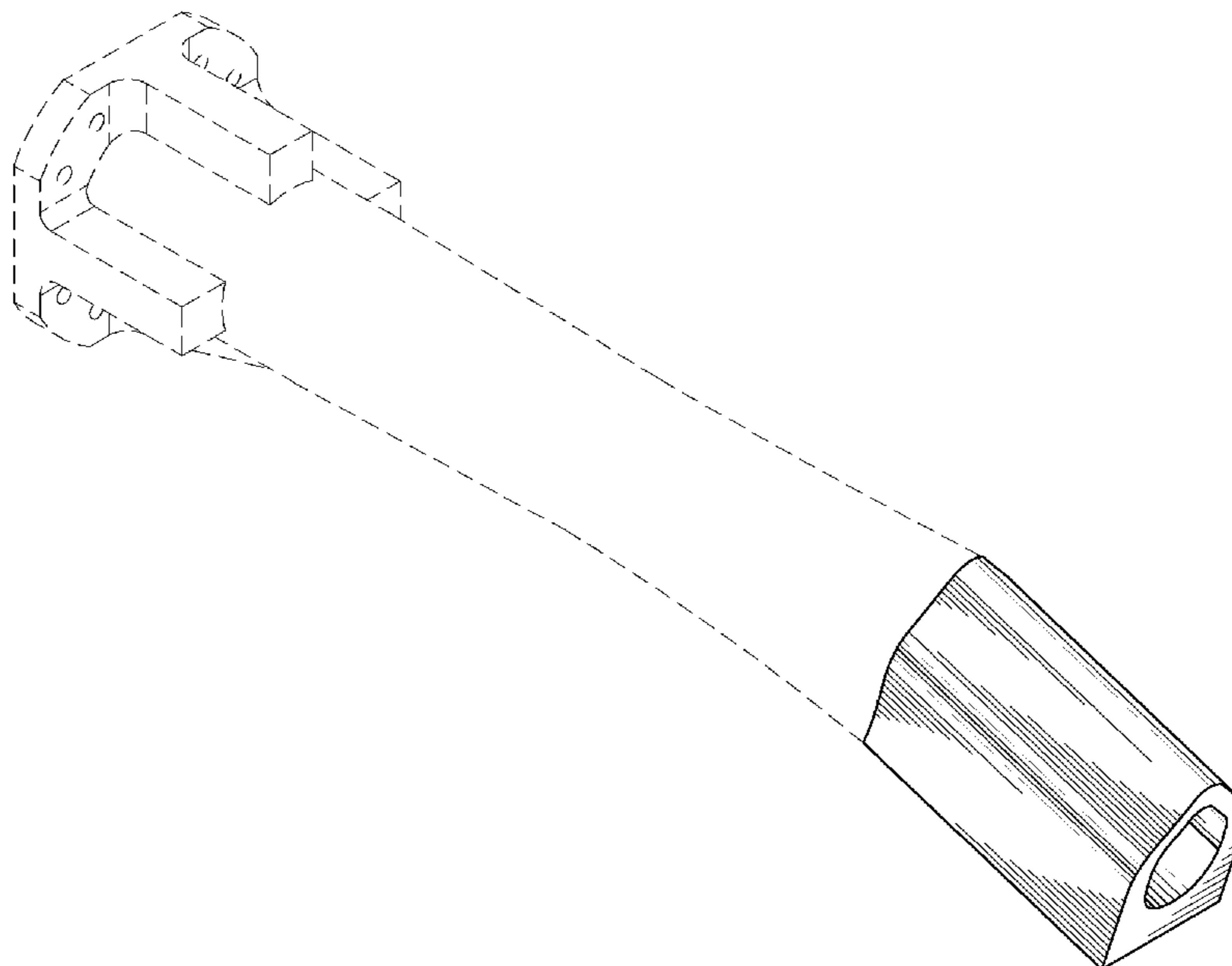
The broken lines showing the remainder of the nozzle are for environmental purposes only and form no part of the claimed design.

(56) **References Cited**

U.S. PATENT DOCUMENTS

- D24,013 S * 2/1895 Crawford D23/266
- 3,732,948 A 5/1973 Benton et al.
- D409,716 S * 5/1999 Bakke D23/210
- D424,165 S * 5/2000 Guo D23/229
- 6,449,975 B1 * 9/2002 Moreno 62/314
- 6,845,606 B2 * 1/2005 Franchet et al. 60/225
- 6,854,491 B1 * 2/2005 Knight et al. 141/59
- D570,953 S * 6/2008 Patterson et al. D23/213

1 Claim, 5 Drawing Sheets



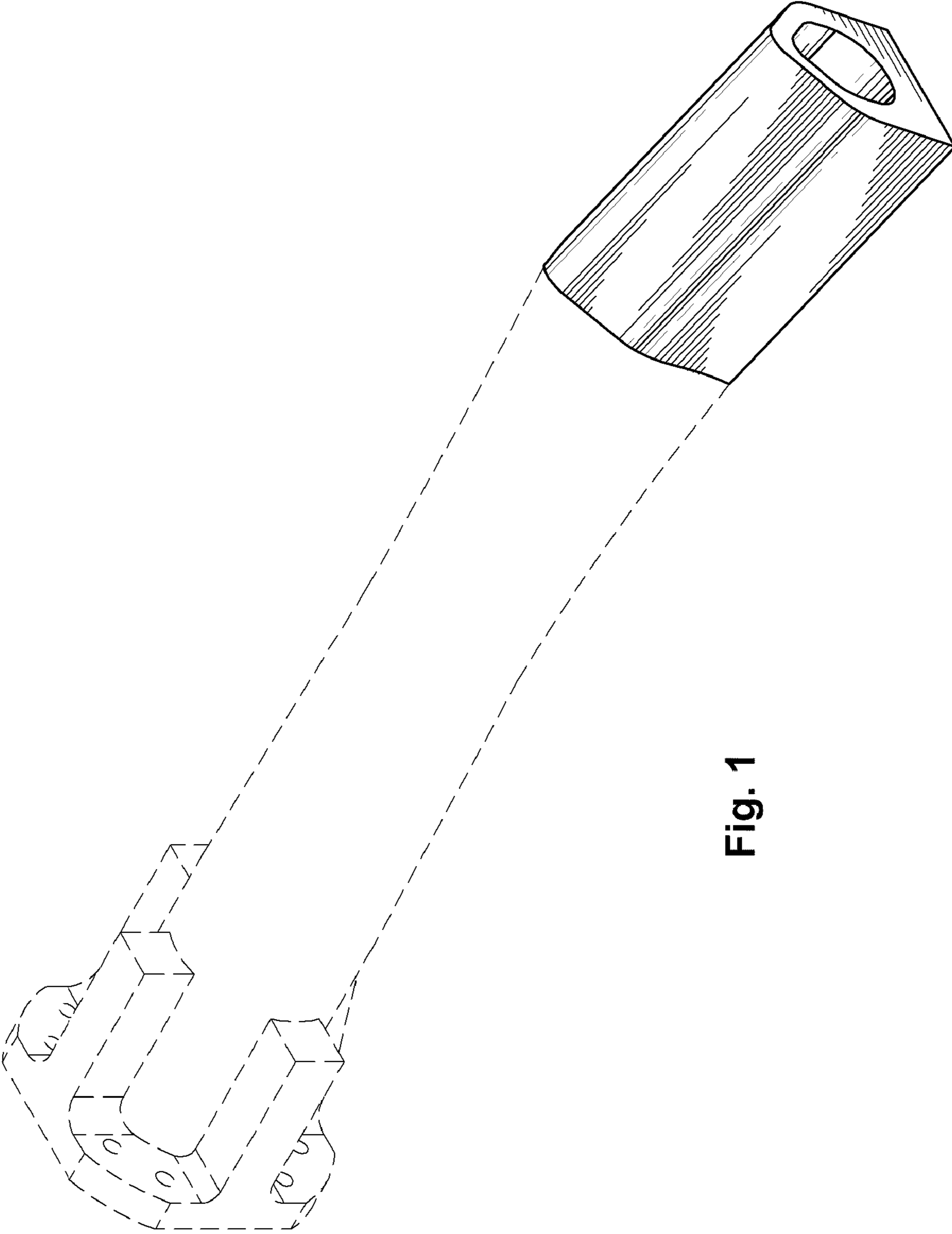


Fig. 1

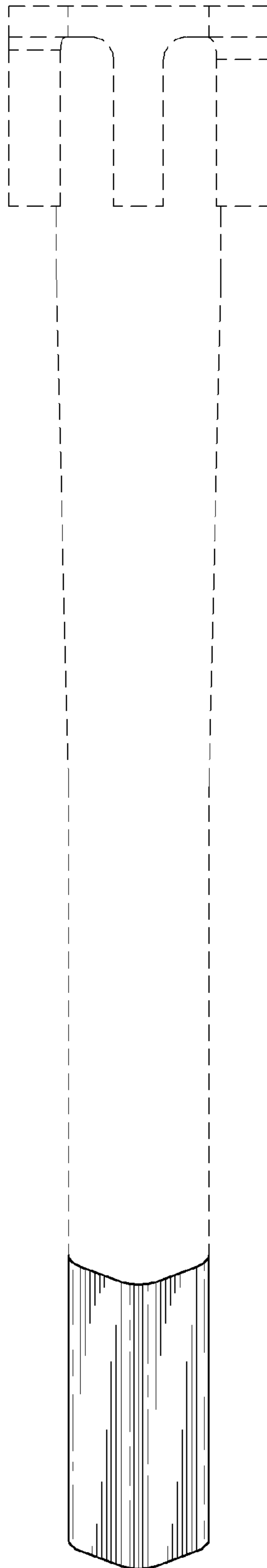


Fig. 2

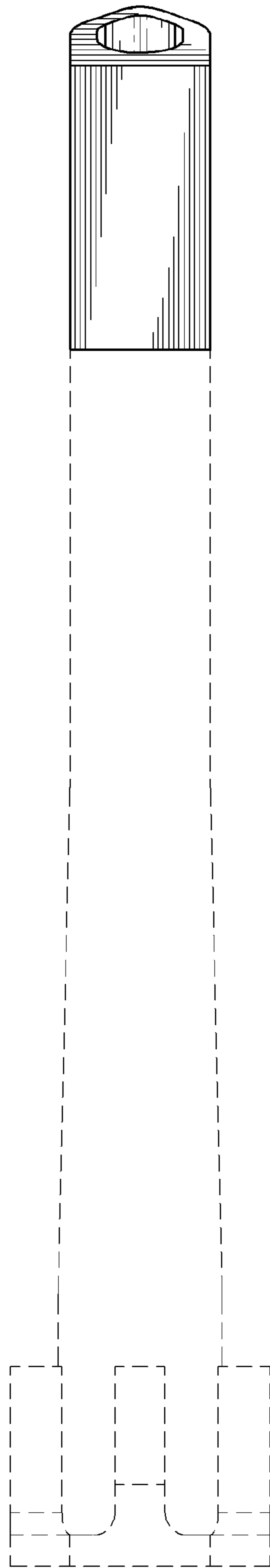


Fig. 3

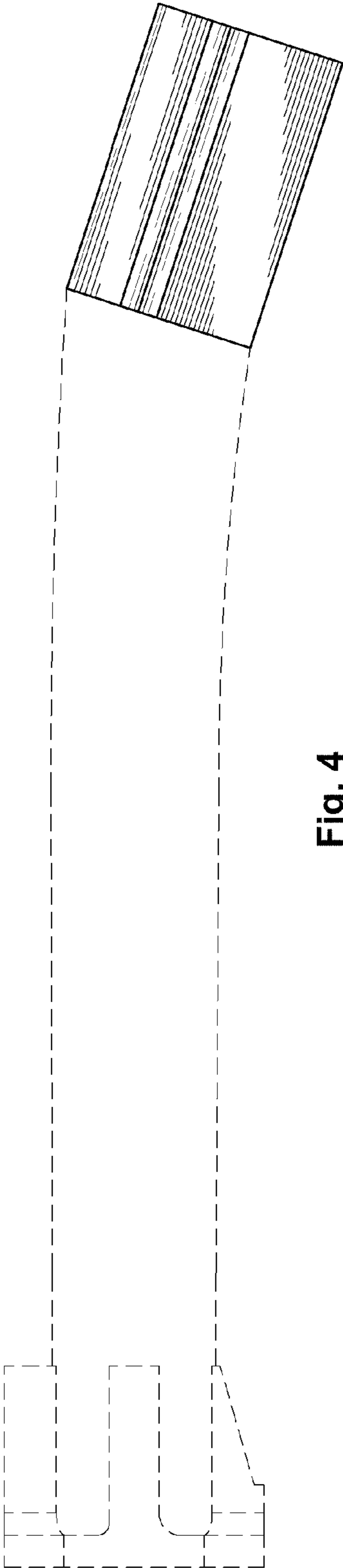


Fig. 4

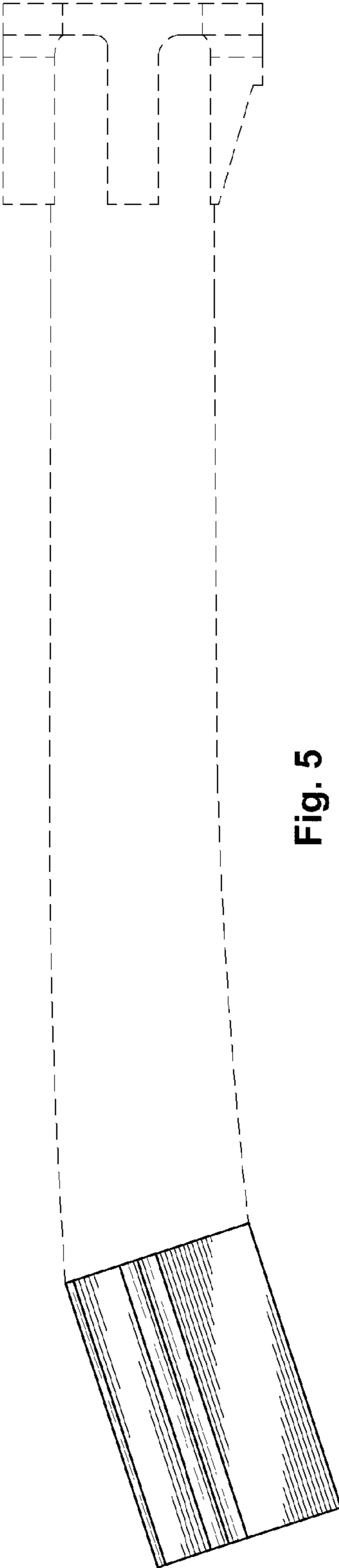


Fig. 5

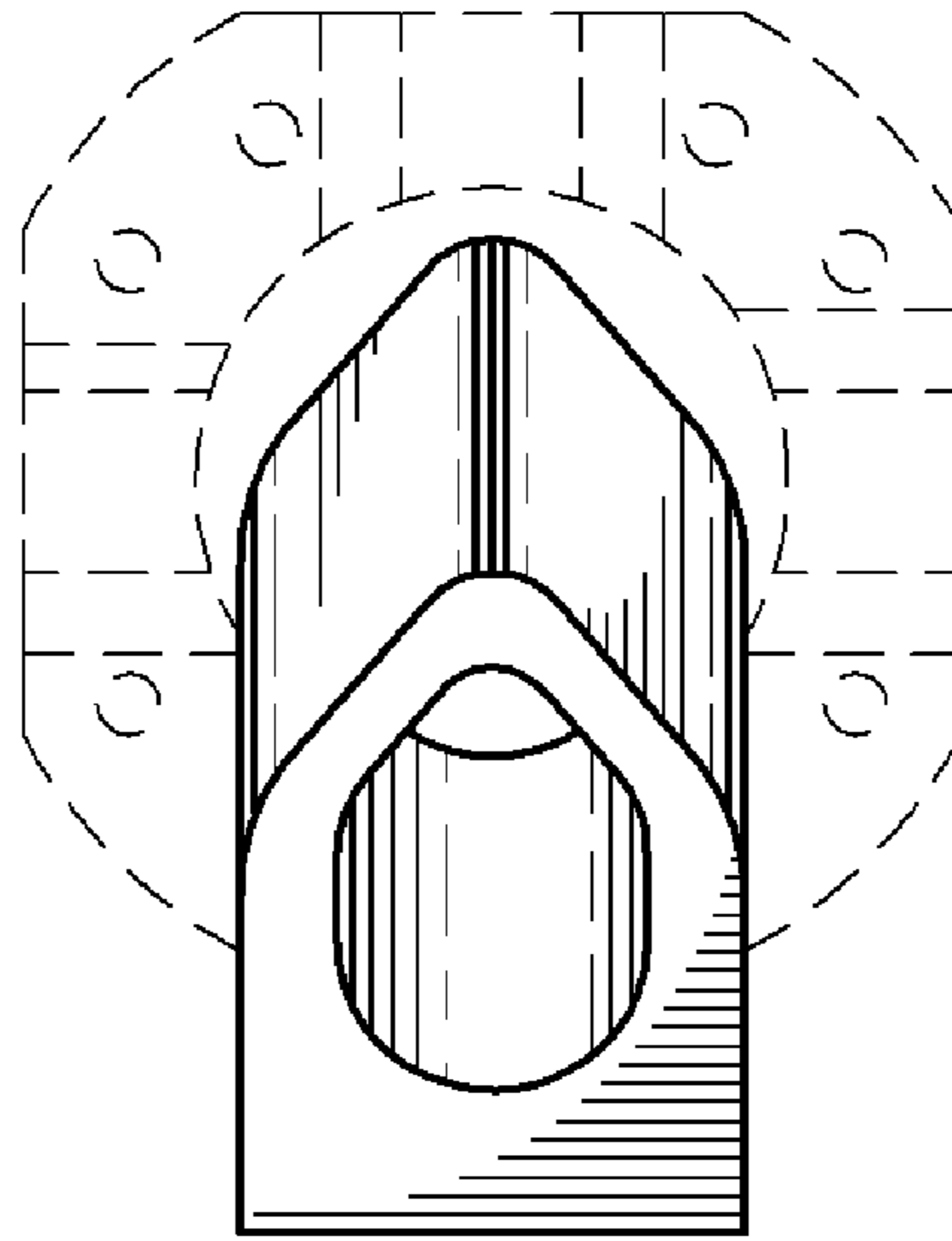


Fig. 6

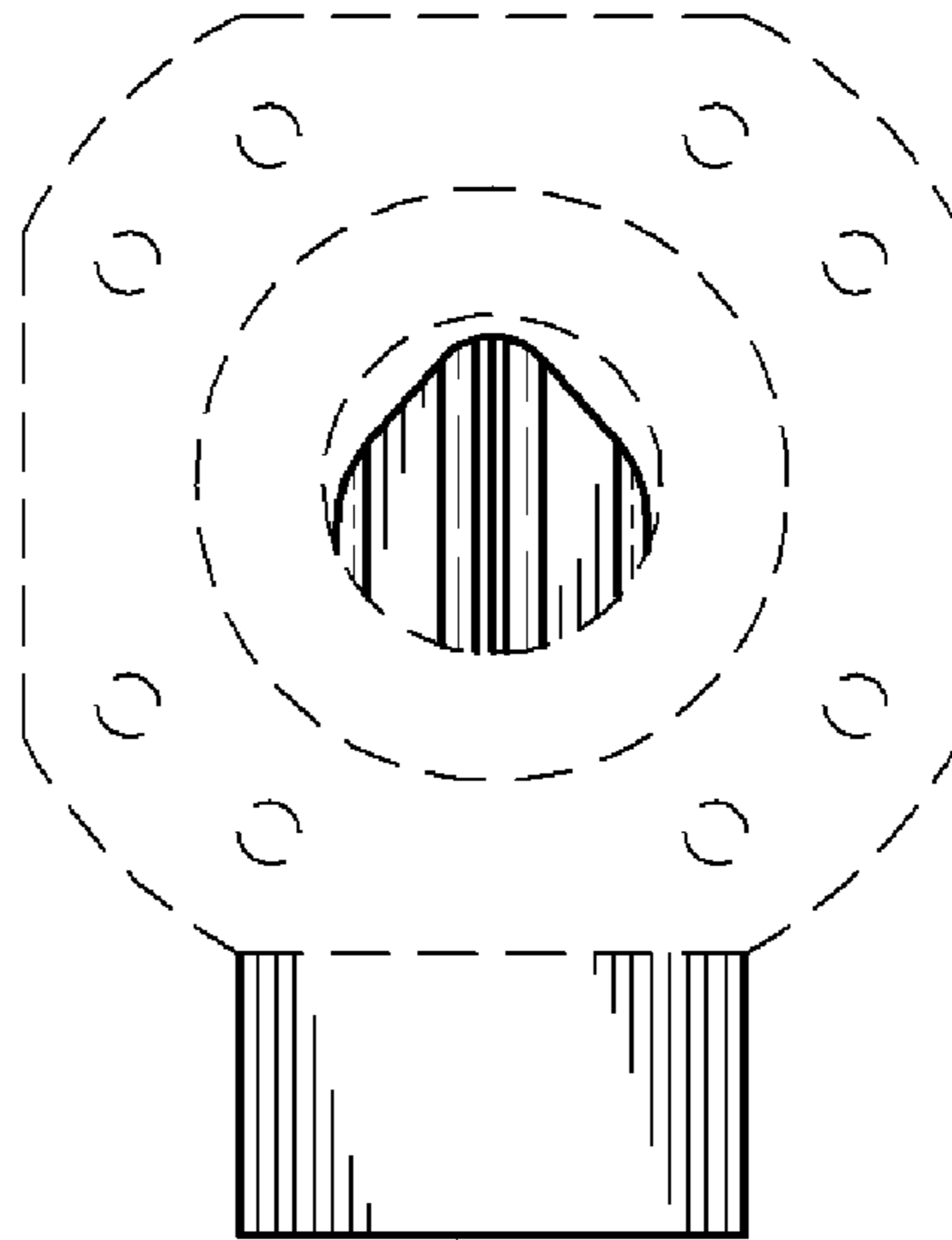


Fig. 7