



US00D632359S

(12) **United States Design Patent**
Goutière et al.

(10) **Patent No.:** **US D632,359 S**
(45) **Date of Patent:** **** Feb. 8, 2011**

(54) **NOZZLE**

CA 1175779 10/1984

(75) Inventors: **Vincent Goutière**, St-Fulgence (CA);
Jean Côté, Jonquiere (CA)

OTHER PUBLICATIONS

(73) Assignee: **Rio Tinto Alcan International Limited**,
Montréal (CA)

International Search Report, PCT/CA2007/001914, dated Feb. 7,
2008.

Walker, Marcus L., Visualization of Tapping Flows, Comalco
Research Centre (1997), p. 215-219.

(**) Term: **14 Years**

* cited by examiner

(21) Appl. No.: **29/306,096**

Primary Examiner—Robin V Webster

(22) Filed: **Apr. 2, 2008**

(74) *Attorney, Agent, or Firm*—Banner & Witcoff, Ltd.

(51) **LOC (9) Cl.** **23-01**

(57) **CLAIM**

(52) **U.S. Cl.** **D23/213; D23/266**

The ornamental design for a nozzle, as shown and described.

(58) **Field of Classification Search** D23/213,
D23/266; D8/30; D15/144.2; 138/134,
138/DIG. 11

DESCRIPTION

See application file for complete search history.

FIG. 1 is a perspective view of a nozzle in accordance with the
present design;

(56) **References Cited**

FIG. 2 is a top plan view thereof;

U.S. PATENT DOCUMENTS

FIG. 3 is a bottom plan view thereof;

D24,013 S * 2/1895 Crawford D23/266

FIG. 4 is a right side elevation view thereof;

3,732,948 A 5/1973 Benton et al.

FIG. 5 is a left side elevation view thereof;

D409,716 S * 5/1999 Bakke D23/210

FIG. 6 is a first end elevation view thereof; and,

D424,165 S * 5/2000 Guo D23/229

FIG. 7 is a second end elevation view thereof, opposite the
first end.

6,449,975 B1 * 9/2002 Moreno 62/314

6,845,606 B2 * 1/2005 Franchet et al. 60/225

6,854,491 B1 * 2/2005 Knight et al. 141/59

D570,953 S * 6/2008 Patterson et al. D23/213

7,766,051 B2 * 8/2010 Coutarel et al. 138/135

FOREIGN PATENT DOCUMENTS

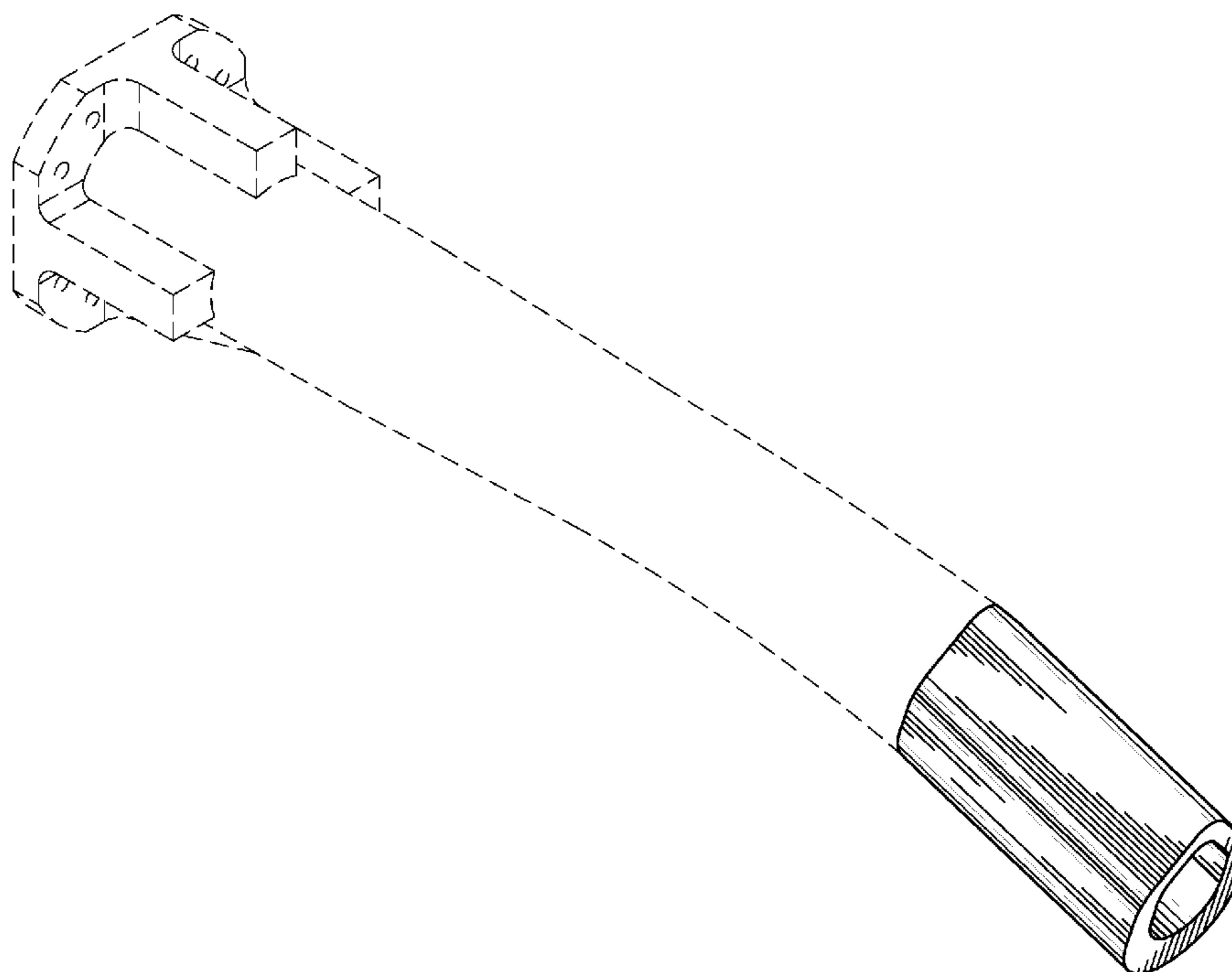
The broken lines showing the remainder of the nozzle are for
environmental purposes only and form no part of the claimed
design.

CA

1072042

2/1980

1 Claim, 5 Drawing Sheets



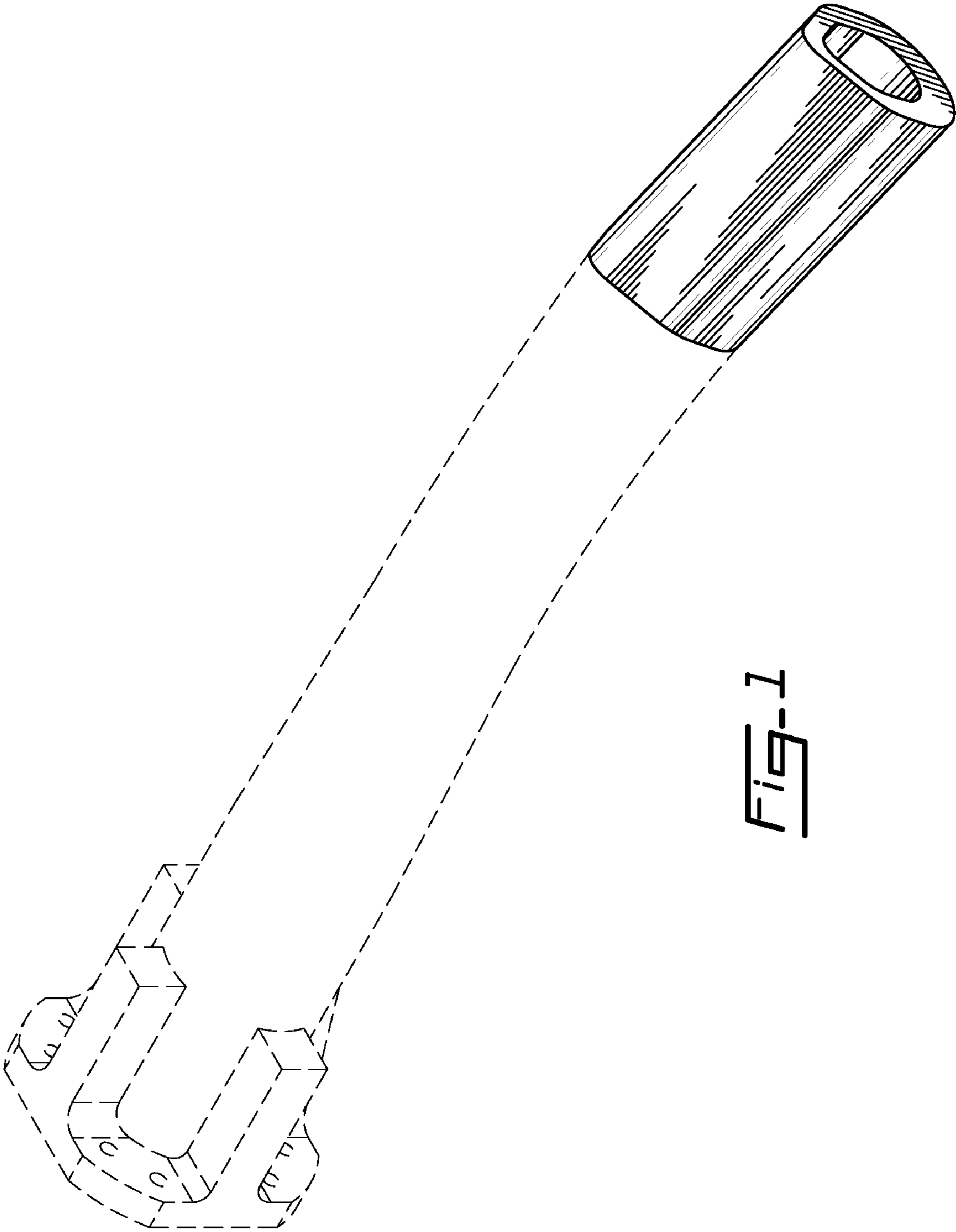


FIG. 1

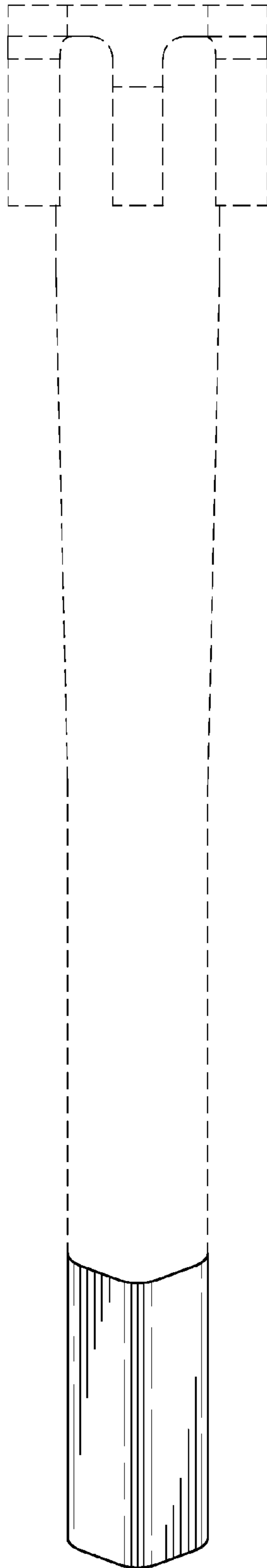


Fig-2

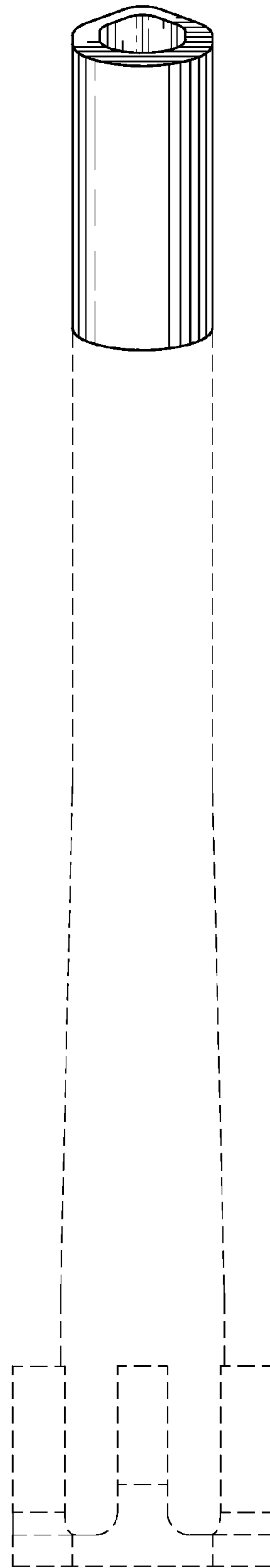


Fig-3

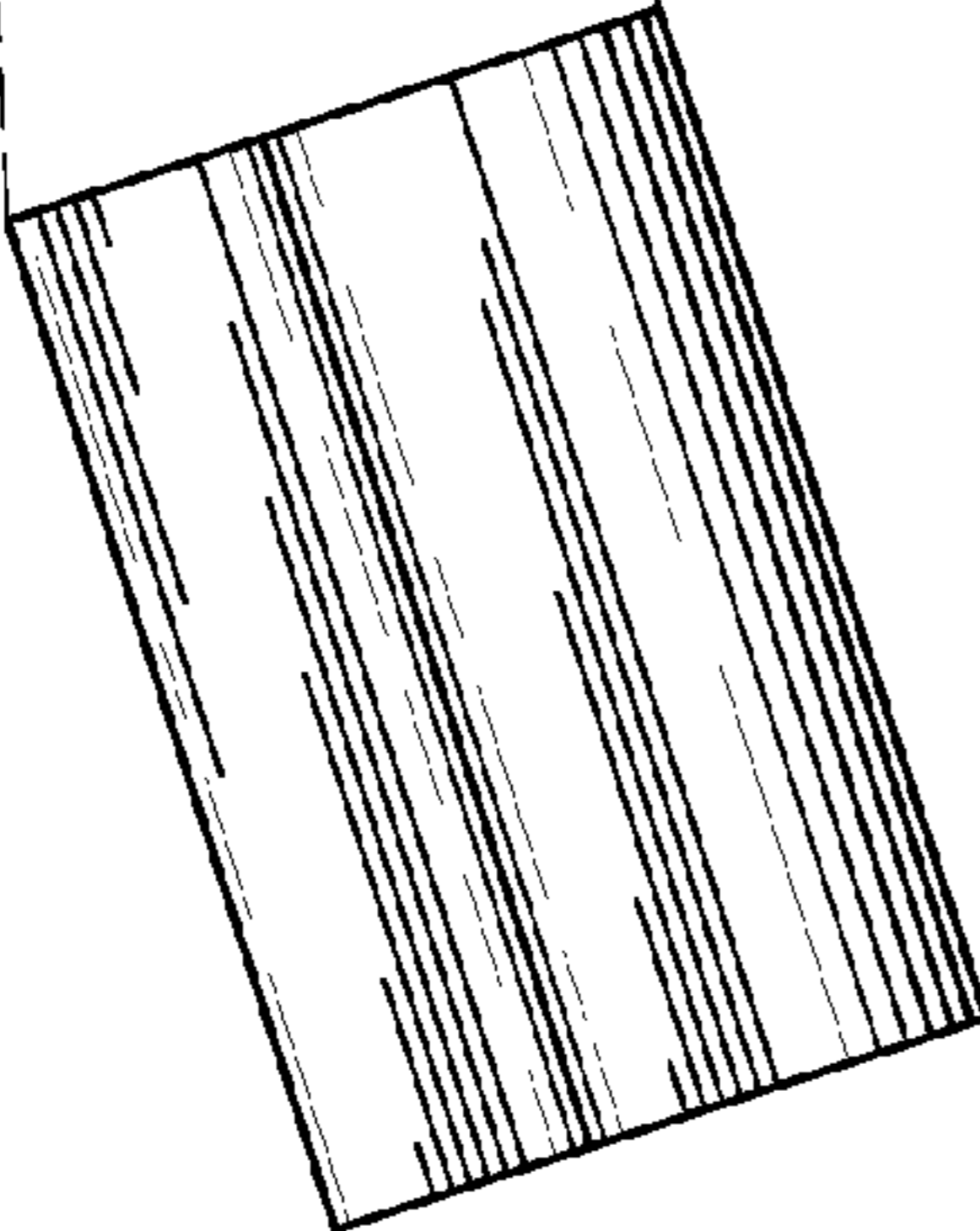
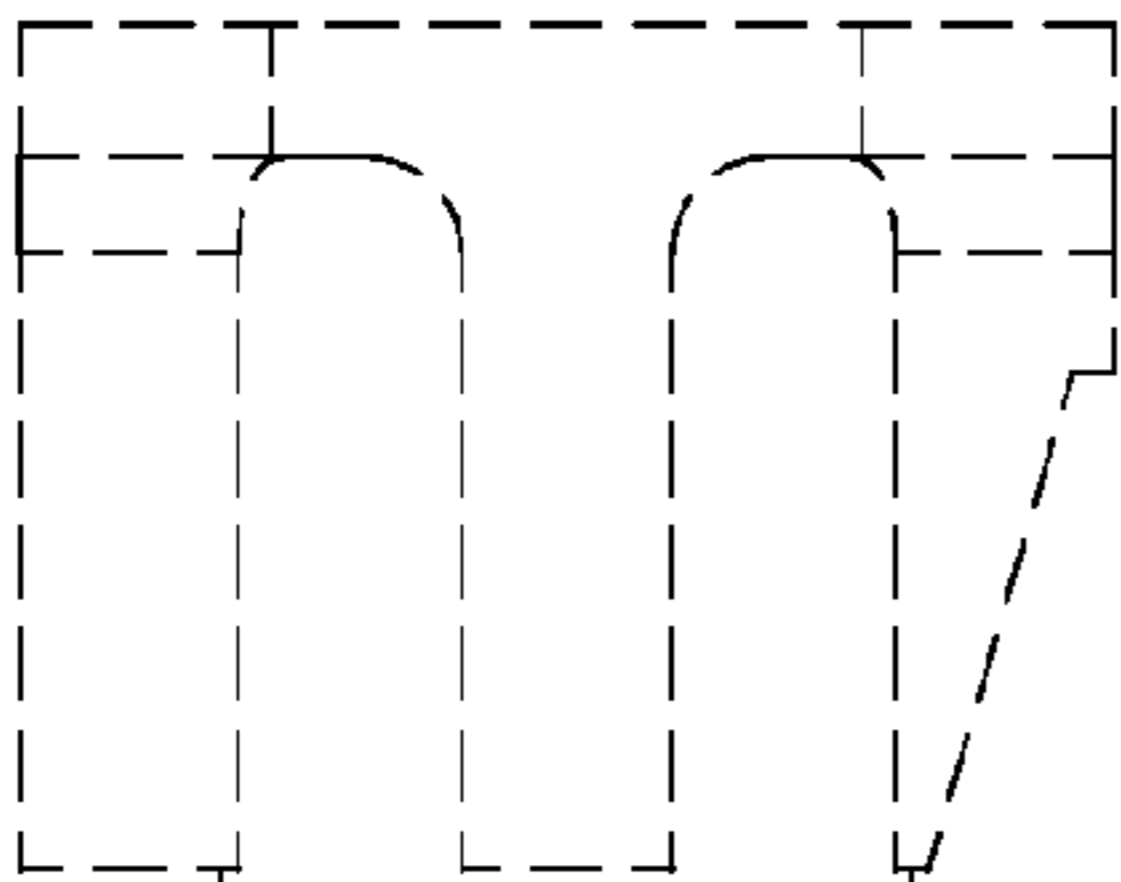


FIG-4

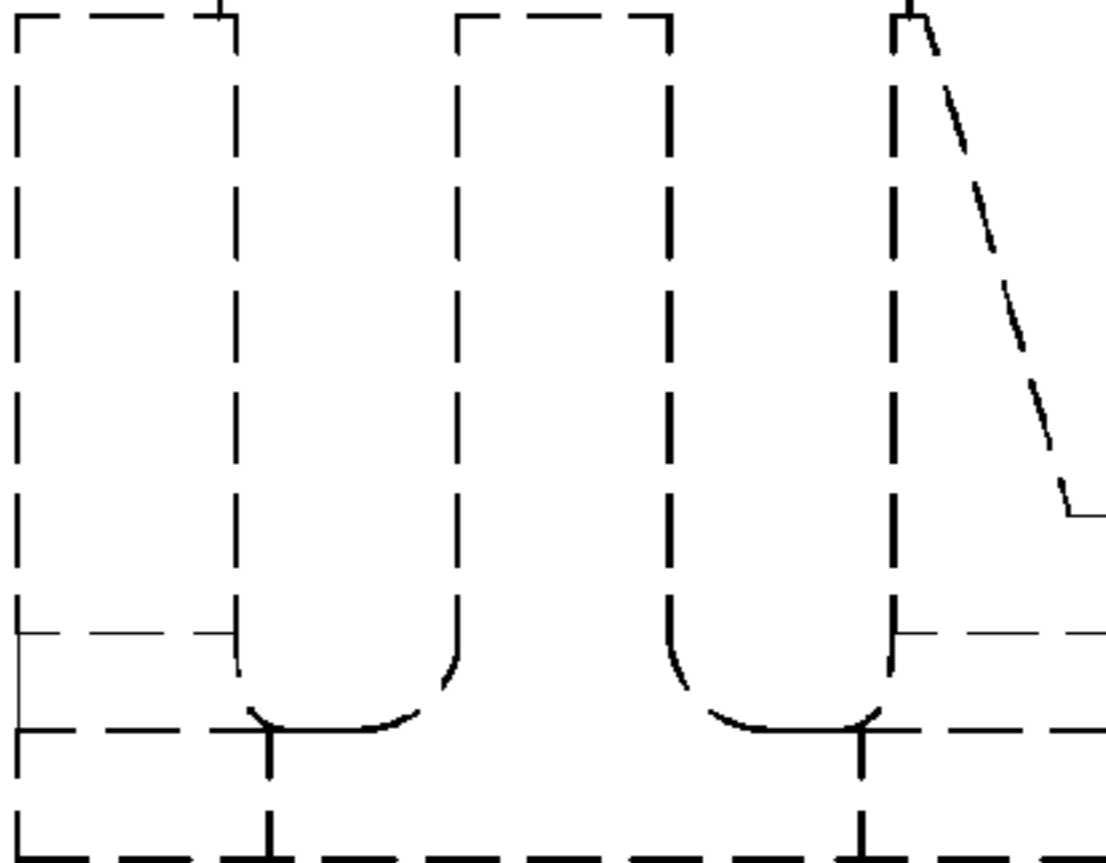
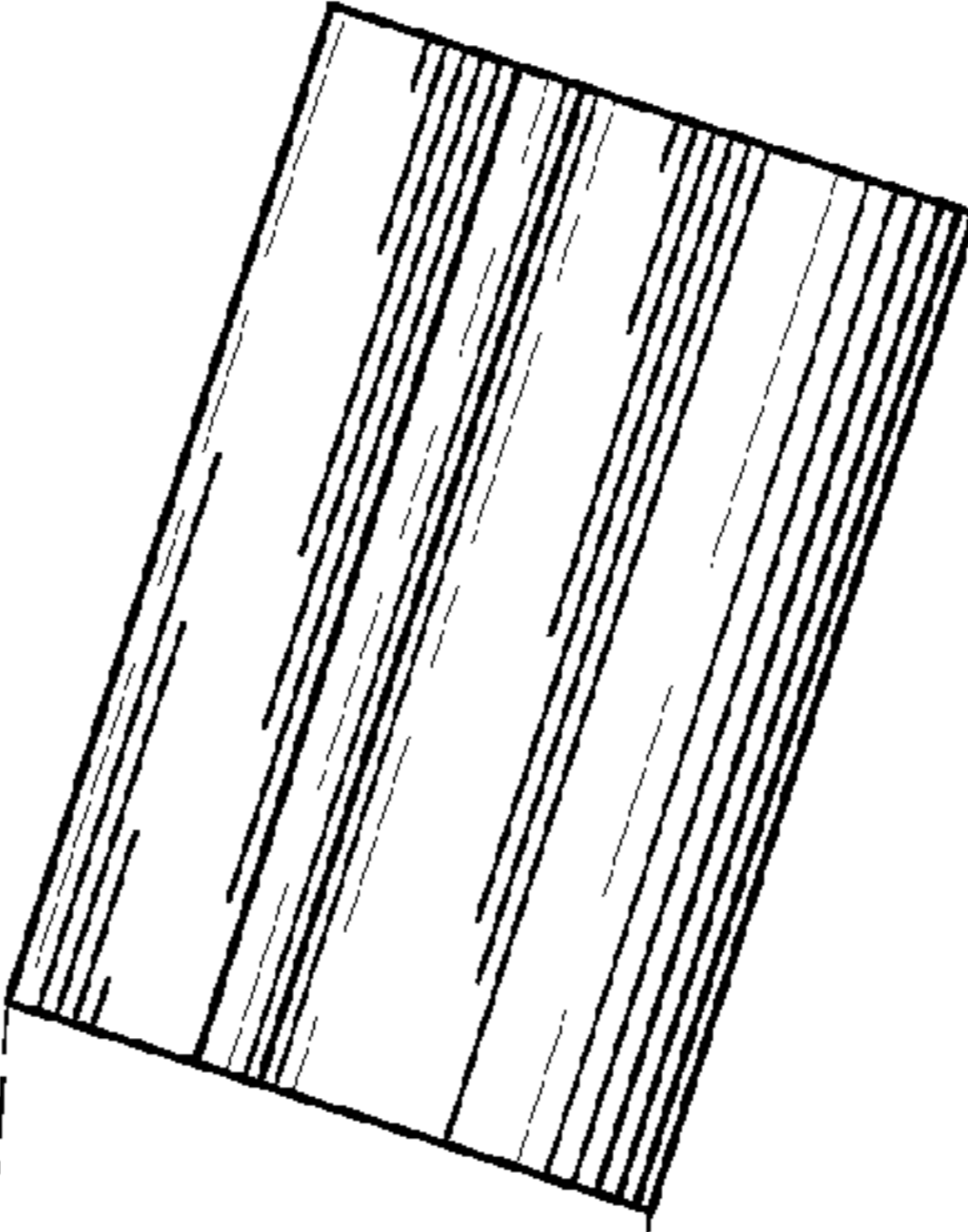


FIG-5

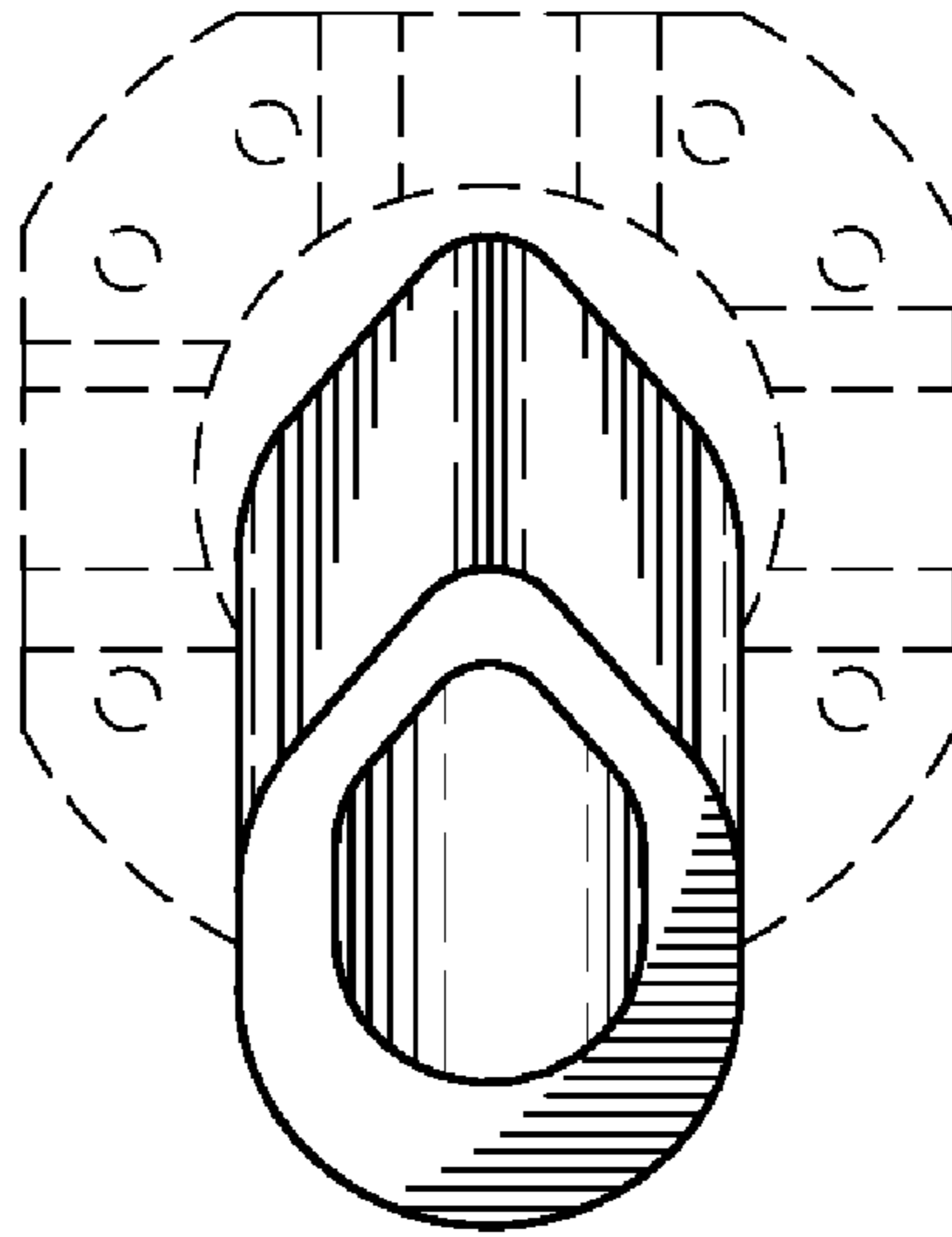


Fig-6

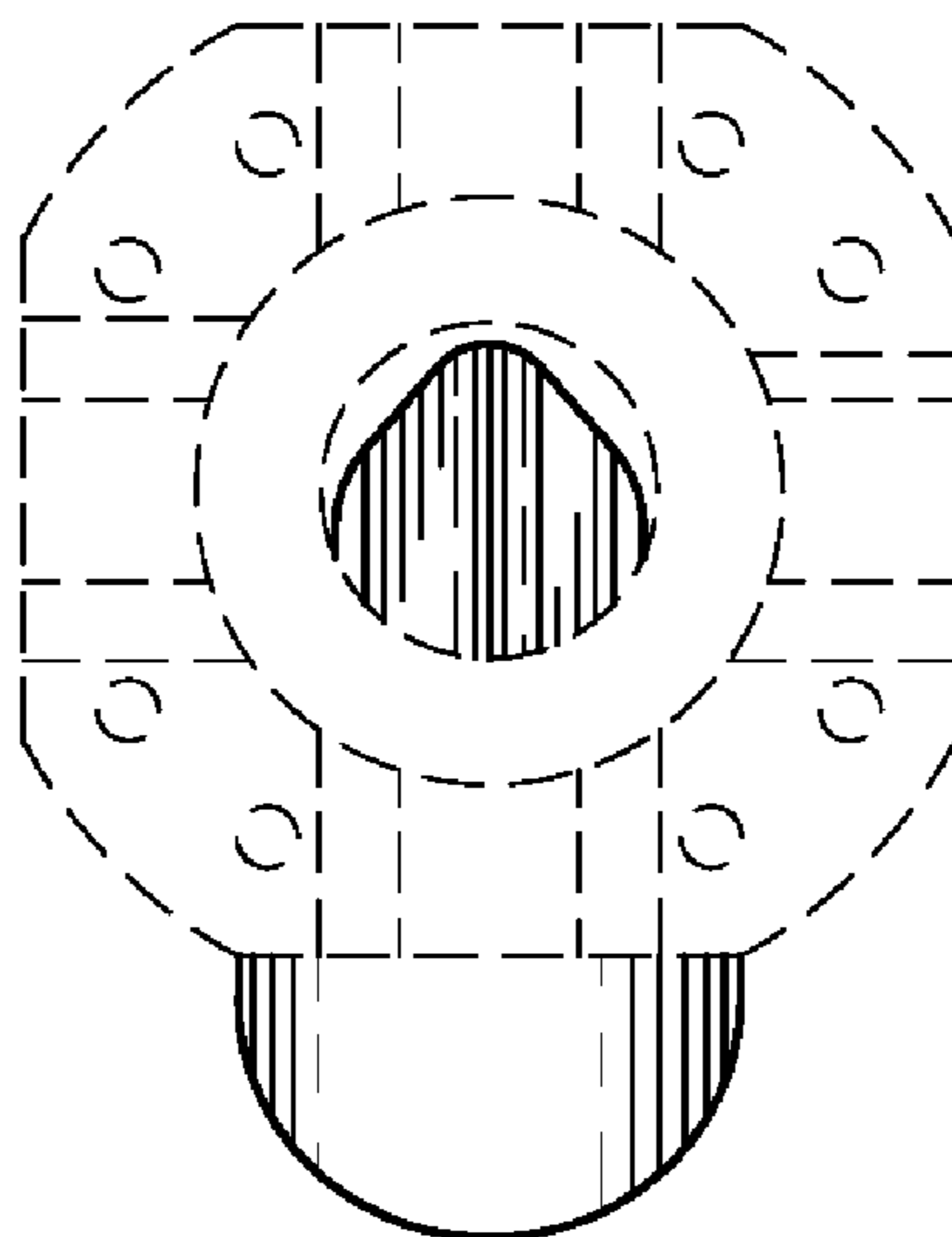


Fig-7