



US00D632353S

(12) **United States Design Patent**
Ashton, III

(10) **Patent No.:** **US D632,353 S**

(45) **Date of Patent:** **** Feb. 8, 2011**

(54) **OUTDOOR EQUIPMENT FLOAT**

(76) **Inventor:** **John W. Ashton, III**, 6923 Hunting
Hollow La. East, Hudson, OH (US)
44236

(**) **Term:** **14 Years**

(21) **Appl. No.:** **29/363,333**

(22) **Filed:** **Jun. 8, 2010**

(51) **LOC (9) Cl.** **21-02**

(52) **U.S. Cl.** **D21/803**

(58) **Field of Classification Search** D21/769-770,
D21/801, 803, 809; 114/253, 345-346; 441/35,
441/66, 40-42, 129-132; 472/128-129;
D12/5, 6, 316; D22/139; D1/126, 127, 130,
D1/199; D6/595, 596, 601, 604; D8/29,
D8/70, 382, 396, 397; D15/140

See application file for complete search history.

(56) **References Cited**

U.S. PATENT DOCUMENTS

D100,381 S *	7/1936	Meakin	D1/199
3,141,179 A *	7/1964	McLean	5/642
3,520,008 A	7/1970	Frieder et al.		
4,017,927 A	4/1977	Massey		
D327,697 S *	7/1992	Vines	D16/339
D327,726 S	7/1992	Lowrance et al.		
D329,486 S *	9/1992	Park	D21/803
D355,358 S *	2/1995	Starr et al.	D16/339
5,391,133 A *	2/1995	Ruffa	482/92
D363,529 S	10/1995	Nordstrom		

5,592,773 A	1/1997	Perry		
D378,694 S	4/1997	Colling et al.		
D399,287 S *	10/1998	Jacobsmeier	D21/803
D399,288 S *	10/1998	Jacobsmeier	D21/803
5,862,622 A	1/1999	Sandman		
D509,875 S *	9/2005	Farrall	D21/803
D531,010 S *	10/2006	Vrame	D8/354
D594,524 S *	6/2009	Oliva	D21/803
D609,545 S *	2/2010	Ueno et al.	D8/70
D620,543 S *	7/2010	Romagnuolo	D21/803
2006/0162233 A1	7/2006	Hueso Pajares		

* cited by examiner

Primary Examiner—Janice E Seeger

Assistant Examiner—Zenia I Bennett

(74) *Attorney, Agent, or Firm*—Porter Wright Morris & Arthur LLP

(57) **CLAIM**

The ornamental design for an outdoor equipment float, as shown and described.

DESCRIPTION

FIG. 1 is a perspective view of an outdoor equipment float; FIG. 2 is a right side view of the outdoor equipment float of FIG. 1, it being understood that the left side view is identical to the right side view; and, FIG. 3 is a top plan view of the outdoor equipment float of FIG. 1, it being understood that the bottom plan view is identical to the top plan view.

1 Claim, 1 Drawing Sheet

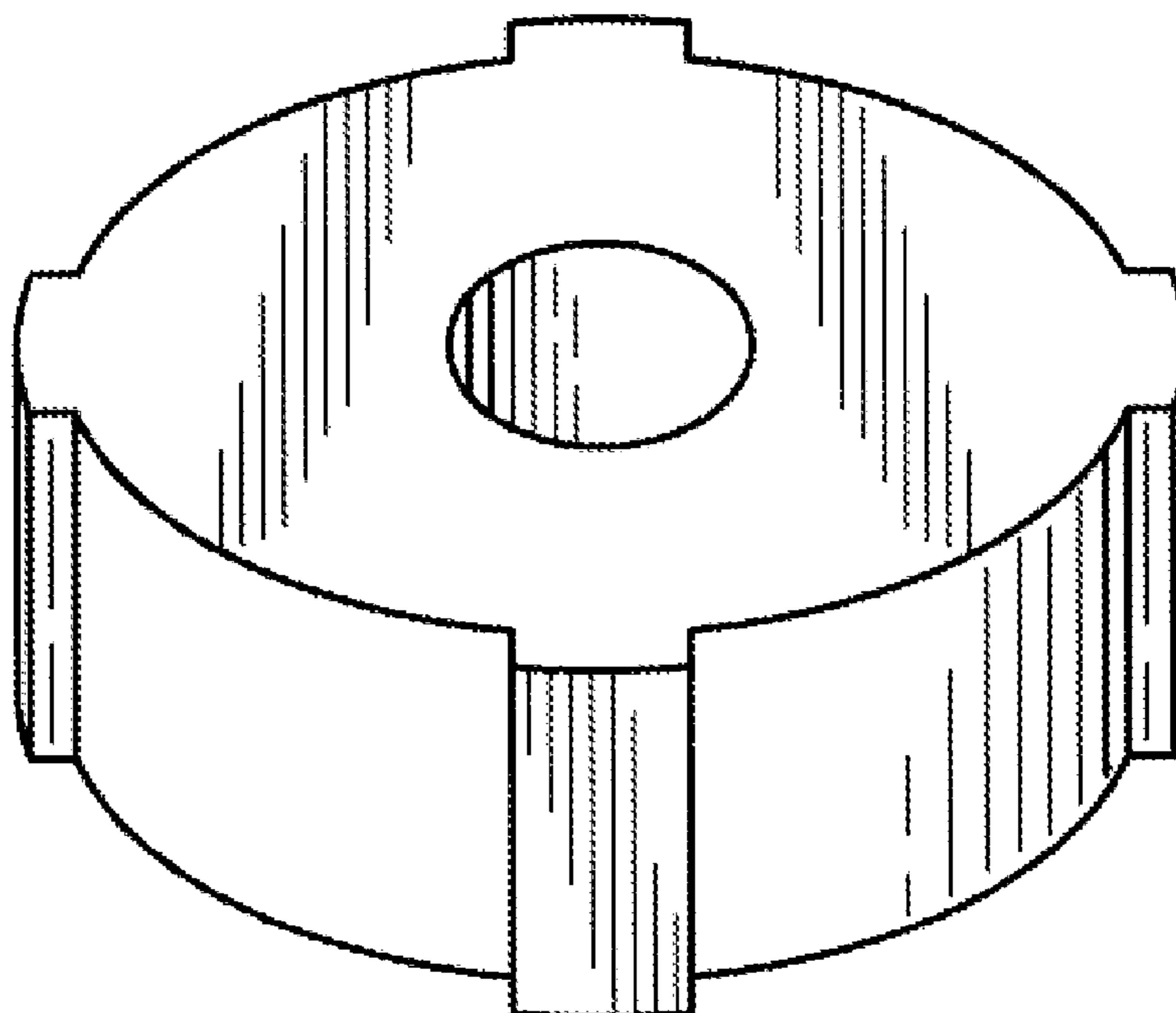


Fig. 1

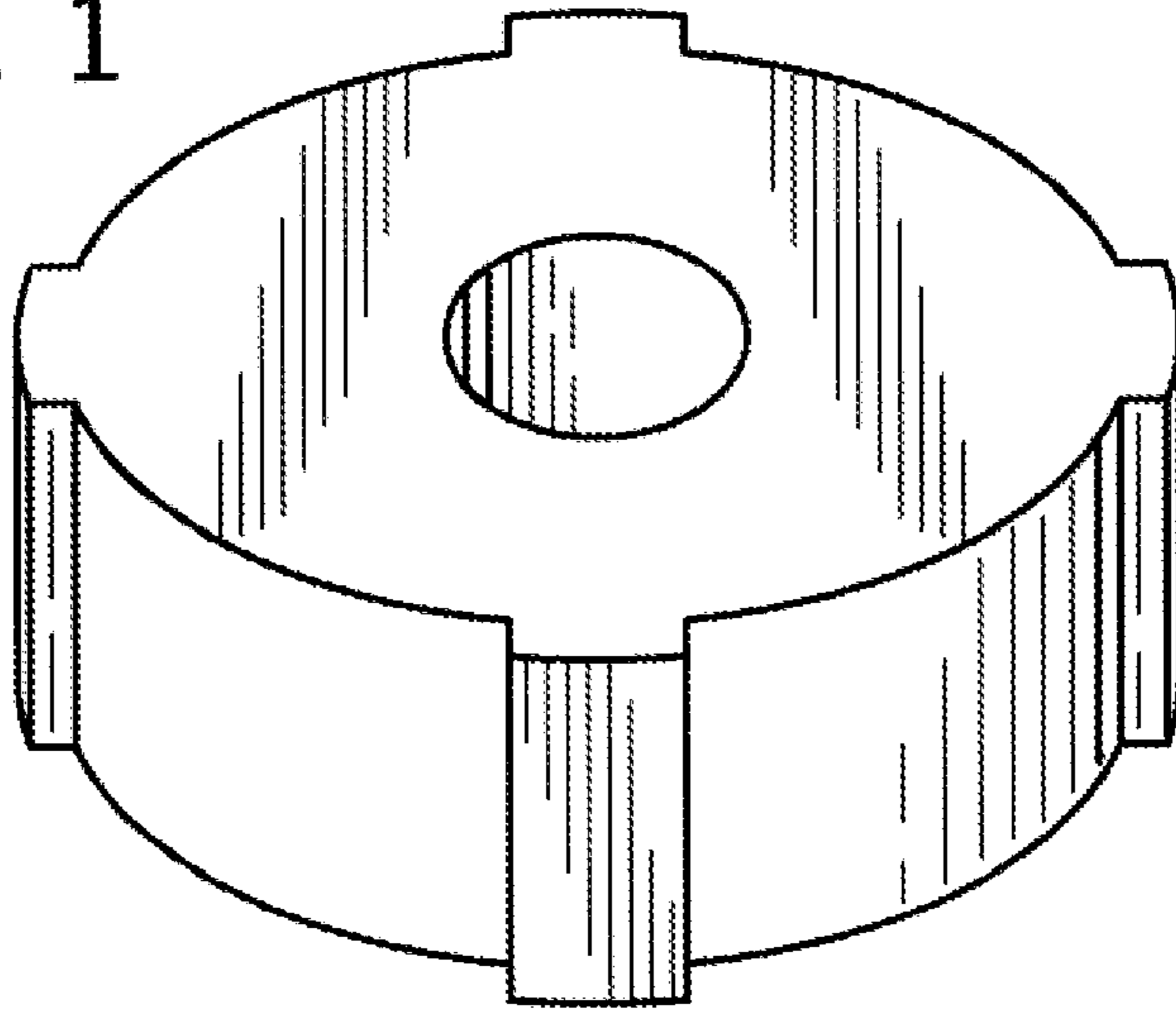


Fig. 2

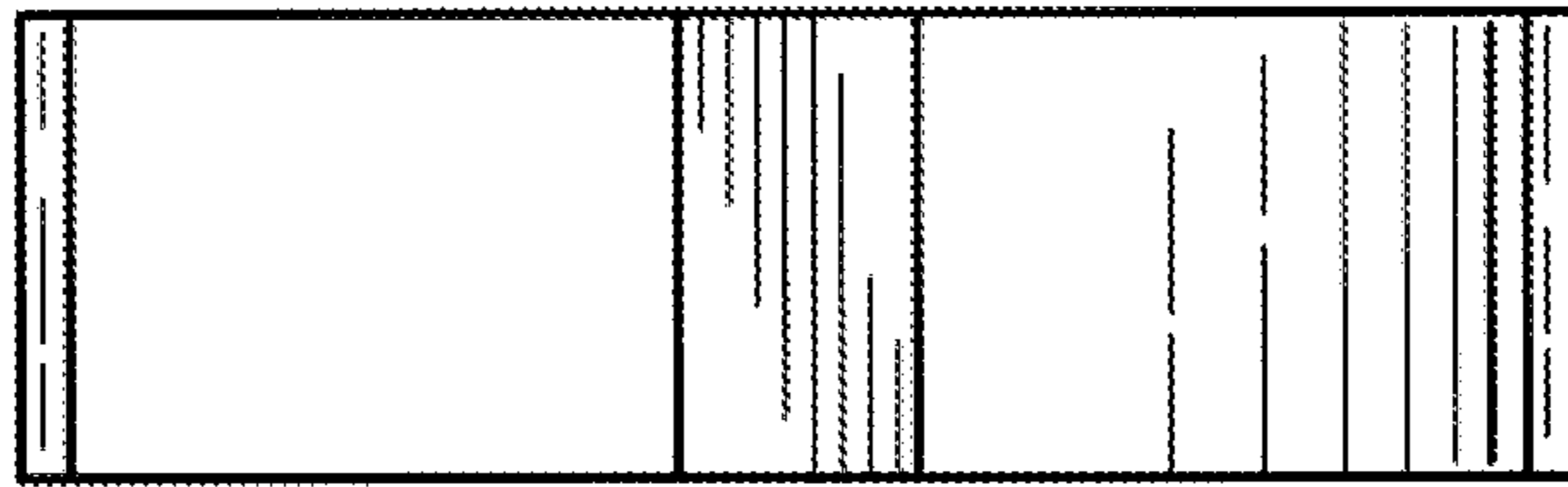


Fig. 3

