



US00D632352S

(12) **United States Design Patent**
Pauletto et al.

(10) **Patent No.:** **US D632,352 S**
(45) **Date of Patent:** **** Feb. 8, 2011**

(54) **EXERCISE HURDLE**

(75) Inventors: **Bruno Pauletto**, Powell, TN (US);
James M. Orsulak, Knoxville, TN (US)

(73) Assignee: **Power Systems, Inc.**, Knoxville, TN (US)

(**) Term: **14 Years**

(21) Appl. No.: **29/295,872**

(22) Filed: **Oct. 9, 2007**

(51) **LOC (9) Cl.** **21-02**

(52) **U.S. Cl.** **D21/800**

(58) **Field of Classification Search** D21/662,
D21/670, 671, 686, 698, 699, 704, 706, 788,
D21/797, 798, 800; D10/109–114, 121;
D20/10, 12, 15–17, 19, 42, 99; D25/38,
D25/53, 67; D26/1, 24, 28, 31, 60, 72, 89,
D26/91, 104, 106, 109, 118, 135; D30/160,
D30/199; D99/17, 24; 473/415–504; 482/14,
482/15, 19, 26; 116/63 R, 63 P, 63 C, 209;
404/6, 9–16; 256/1, 13.1, 19, 24, 73, DIG. 1;
119/705; 40/643, 564, 570, 572, 592, 606.18,
40/612

See application file for complete search history.

(56) **References Cited**

U.S. PATENT DOCUMENTS

1,903,739 A * 4/1933 Tatlock 404/11
D153,969 S * 5/1949 Murray D26/31
3,233,352 A * 2/1966 Projector et al. 40/541
3,578,177 A 5/1971 Paden
4,225,066 A 9/1980 Barr
D356,352 S * 3/1995 Johnson D21/800
5,498,101 A 3/1996 Braverman

5,791,605 A * 8/1998 Howie, II 246/474
6,086,285 A 7/2000 Christensen
D441,823 S * 5/2001 Blackhurst D21/797
6,305,312 B1 10/2001 Bent et al.
6,349,667 B1 2/2002 Rogers et al.
6,505,994 B1 1/2003 Attar
6,936,206 B1 8/2005 Satoh
2002/0025222 A1 * 2/2002 Attar 404/16
2003/0206769 A1 * 11/2003 Rodis 404/6
2004/0159280 A1 8/2004 Mohelsky et al.
2004/0237875 A1 12/2004 Garcia
2005/0009436 A1 1/2005 Boghossian
2006/0237913 A1 * 10/2006 Giske et al. 273/402
2008/0011221 A1 1/2008 Dvoracek

* cited by examiner

Primary Examiner—Catherine Tuttle

(74) *Attorney, Agent, or Firm*—Luedeka, Neely & Graham, P.C.

(57) **CLAIM**

The ornamental design for an exercise hurdle, as shown and described.

DESCRIPTION

FIG. 1 is a perspective view of the exercise hurdle showing our new design;

FIG. 2 is a top view thereof;

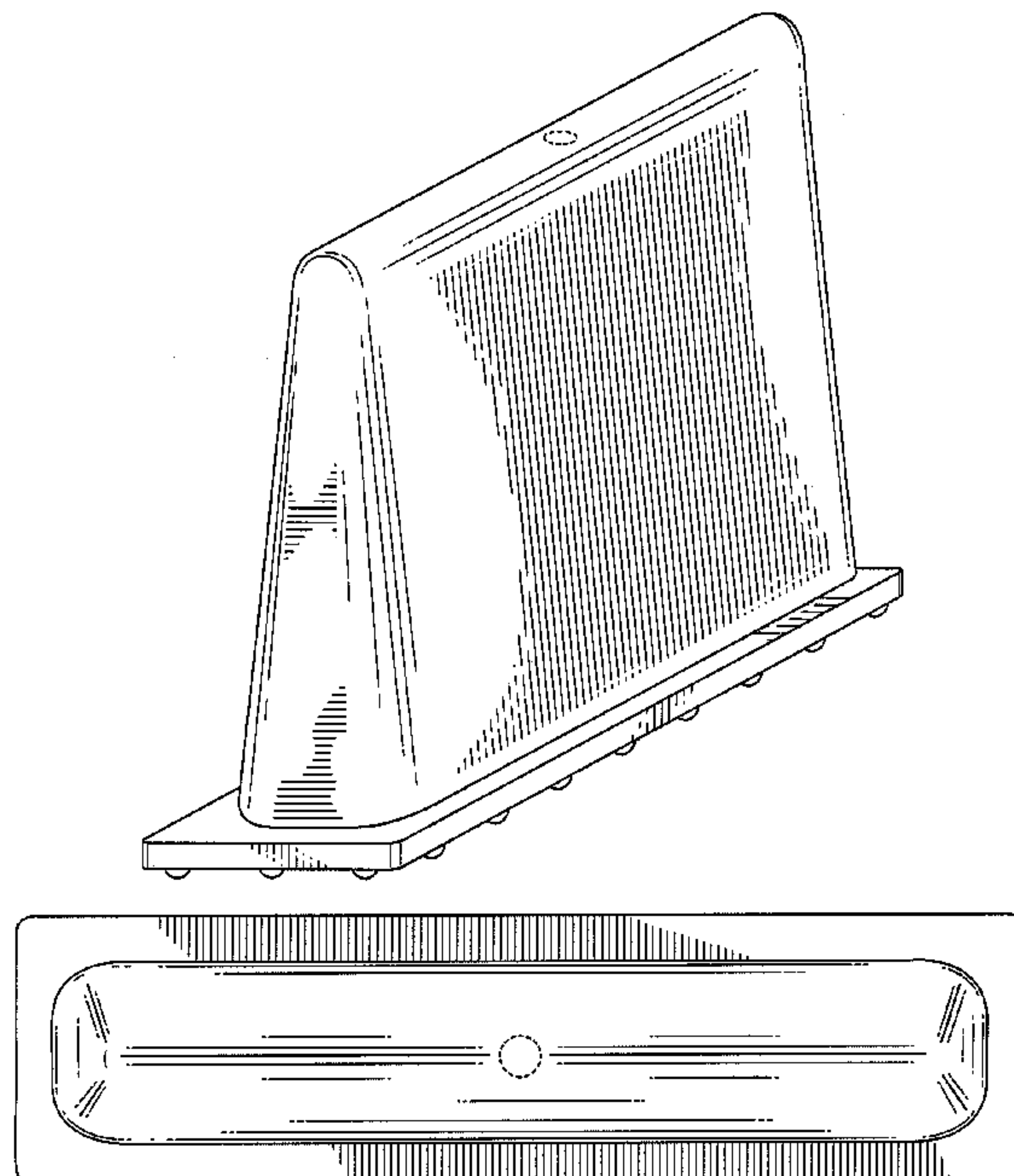
FIG. 3 is a first side view thereof;

FIG. 4 is another side view rotated 90° from FIG. 3; and,

FIG. 5 is a bottom view thereof.

The broken lines in the drawings are included for the purpose of illustrating portions of the exercise hurdle that form no part of the claimed design.

1 Claim, 5 Drawing Sheets



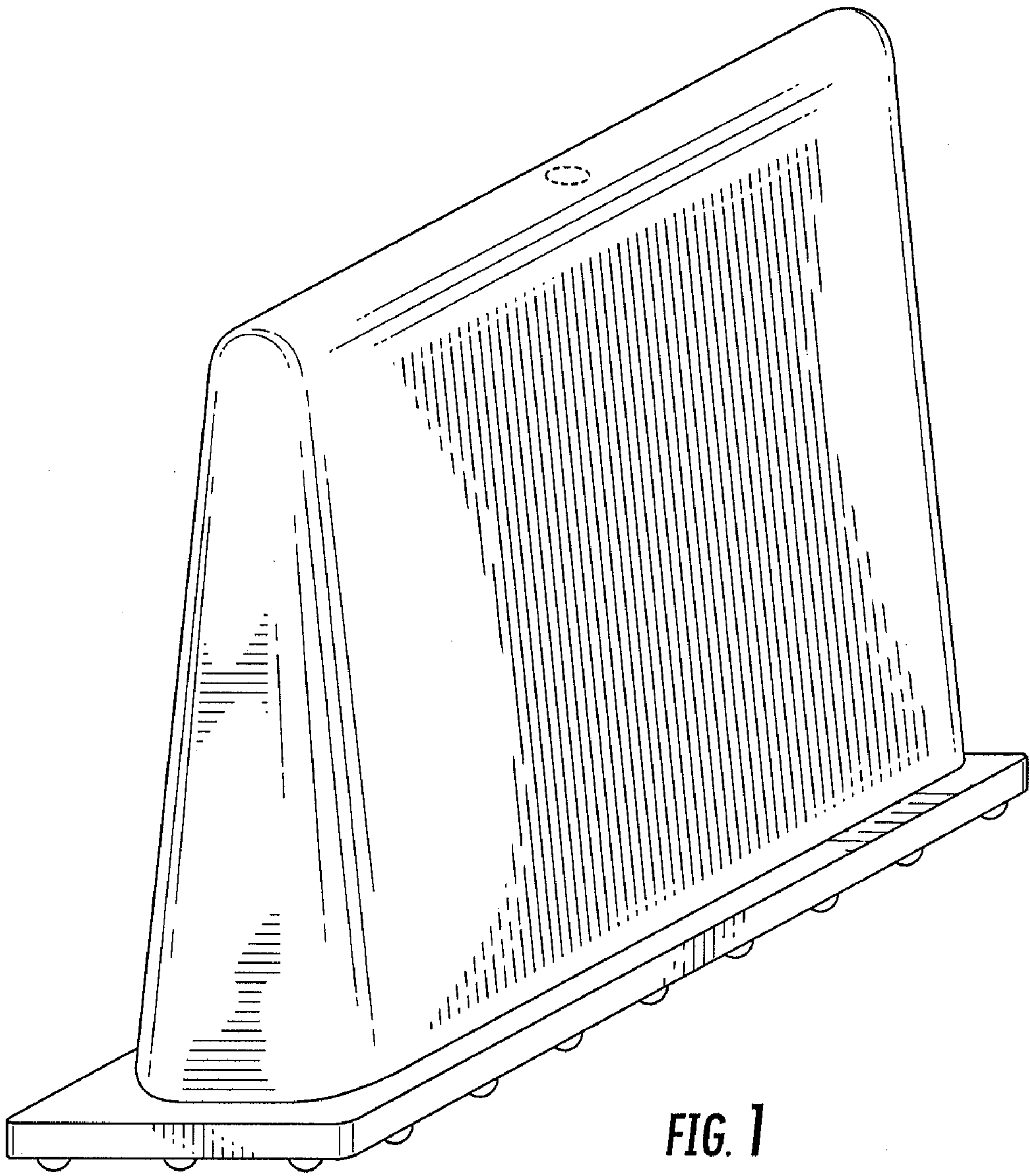


FIG. 1

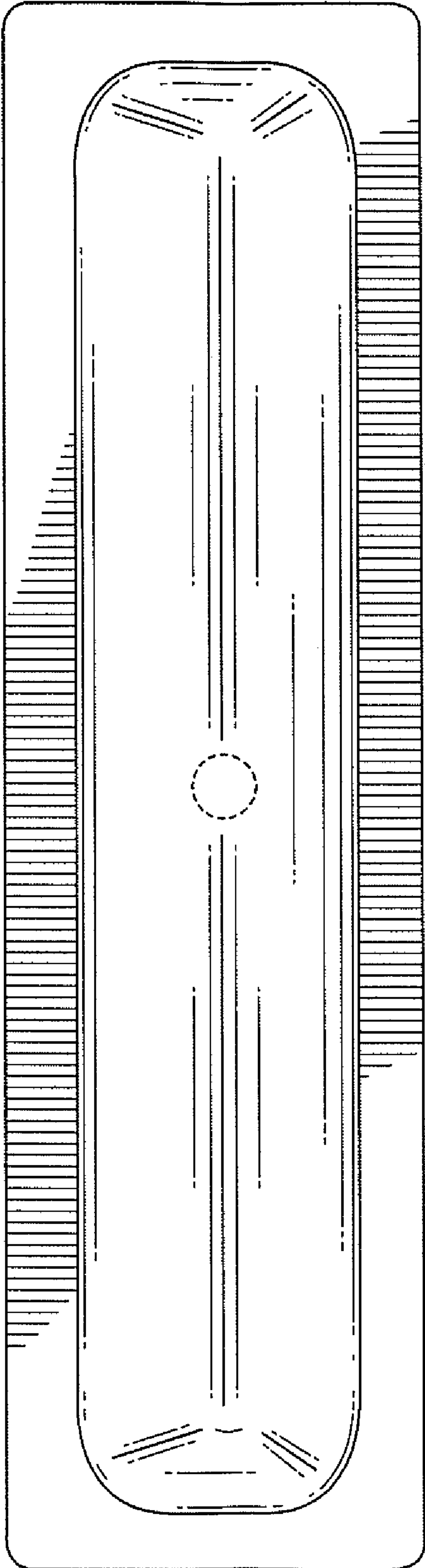


FIG. 2

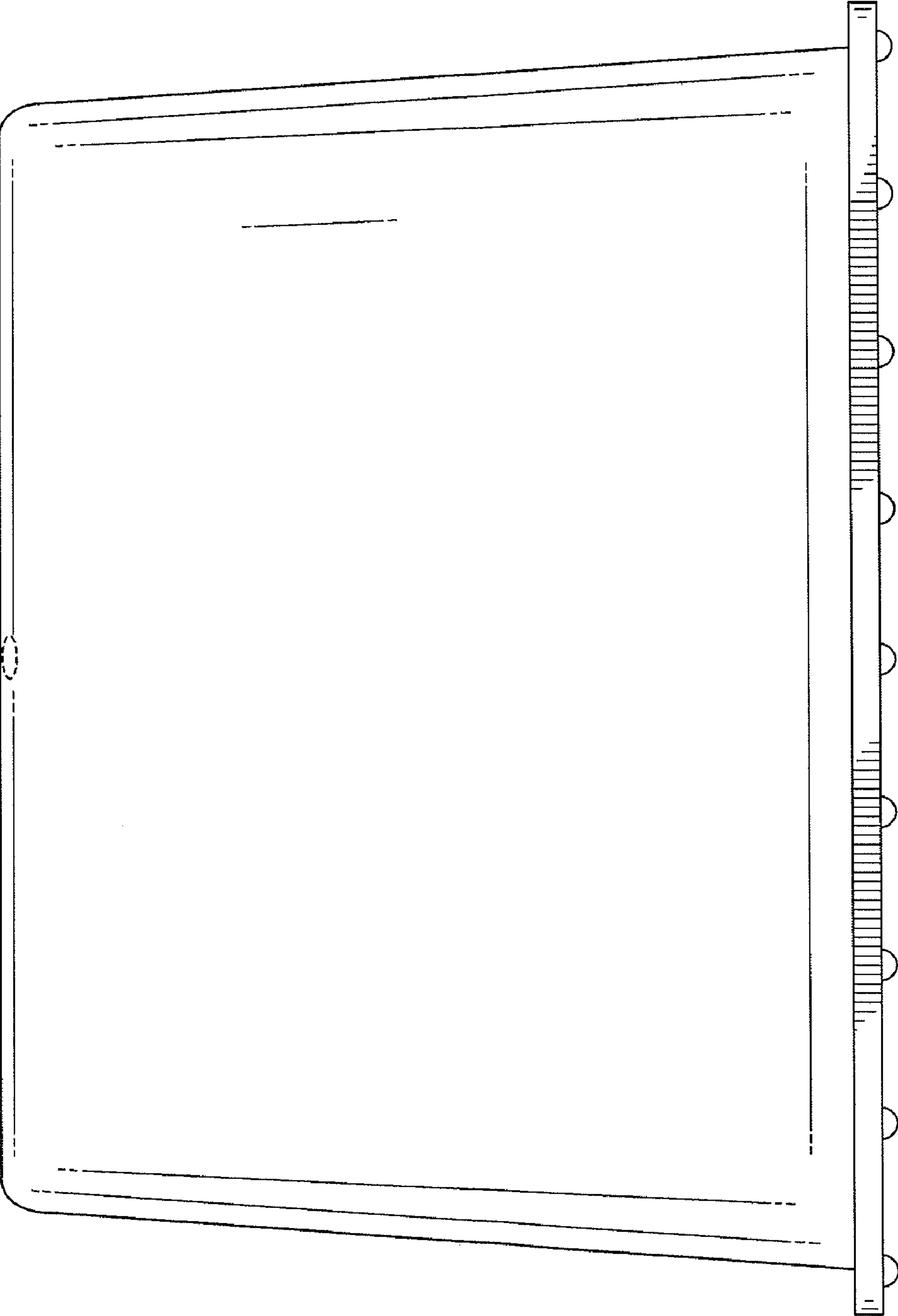


FIG. 3

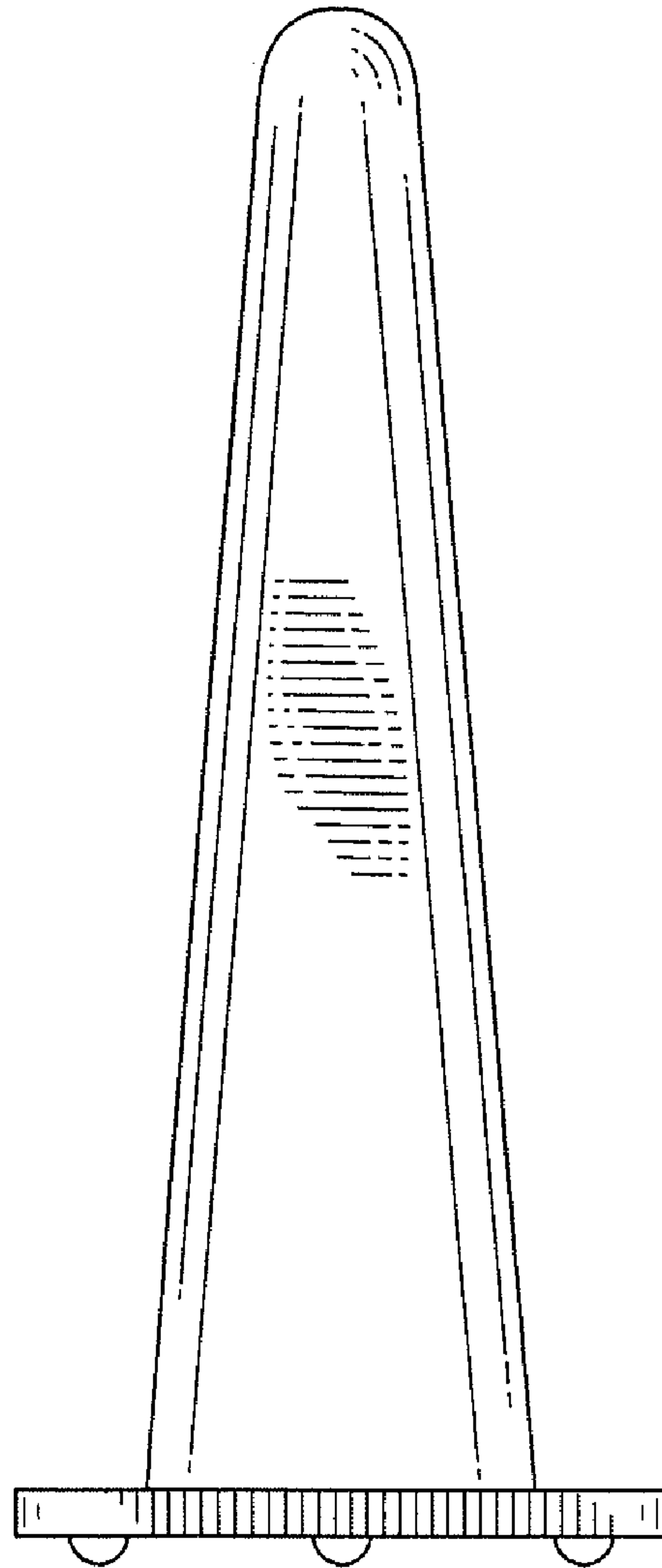


FIG. 4

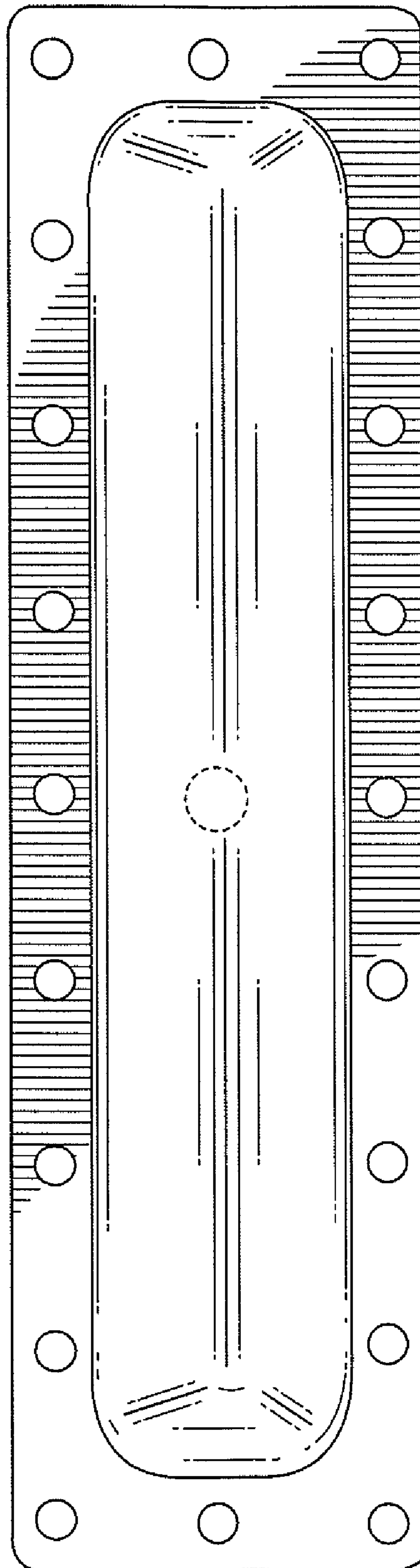


FIG. 5