



US00D632348S

(12) **United States Design Patent**  
**McNutt**

(10) **Patent No.:** **US D632,348 S**

(45) **Date of Patent:** **\*\* Feb. 8, 2011**

(54) **TRACK**

(76) Inventor: **David W. McNutt**, 226 Tapscott Rd.,  
Hartselle, AL (US) 35640

(\*\*) Term: **14 Years**

(21) Appl. No.: **29/356,996**

(22) Filed: **Mar. 5, 2010**

(51) **LOC (9) Cl.** ..... **21-01**

(52) **U.S. Cl.** ..... **D21/565**

(58) **Field of Classification Search** ..... D21/484,  
D21/490, 493, 564, 565; 446/168-174, 84,  
446/89, 108, 112, 114, 116, 124-128, 429,  
446/444-447; 463/58-69; 238/10 R, 10 A-10 C,  
238/10 E, 10 F; 104/60, 69

See application file for complete search history.

(56) **References Cited**

**U.S. PATENT DOCUMENTS**

D222,493	S *	10/1971	Douglas et al.	.....	D21/565
3,734,404	A *	5/1973	Baynes et al.	.....	238/10 E
5,075,515	A *	12/1991	Yoneda et al.	.....	238/10 F
D345,997	S *	4/1994	Vadnal	.....	D21/565
5,564,962	A *	10/1996	Navarrete Espinosa	.....	446/128
D388,138	S *	12/1997	Lanoix et al.	.....	D21/565
5,899,789	A *	5/1999	Rehkemper et al.	.....	446/444
6,093,079	A *	7/2000	House	.....	446/444
6,601,774	B1 *	8/2003	Kasimoff	.....	238/10 R
6,647,893	B1 *	11/2003	Fugitt et al.	.....	104/69
6,883,720	B2 *	4/2005	D'Angelo et al.	.....	238/10 E
D573,665	S *	7/2008	Horikoshi	.....	D21/565
D576,690	S *	9/2008	Riley	.....	D21/565
2005/0112994	A1 *	5/2005	D'Angelo et al.	.....	446/444
2008/0265049	A1 *	10/2008	Stadlbauer	.....	238/10 F
2009/0075558	A1 *	3/2009	Ostendorff	.....	446/444

2010/0081356 A1\* 4/2010 Lutchen et al. .... 446/444

\* cited by examiner

*Primary Examiner*—Cynthia M Chin

(74) *Attorney, Agent, or Firm*—QuickPatents, Inc.; Kevin Prince

(57) **CLAIM**

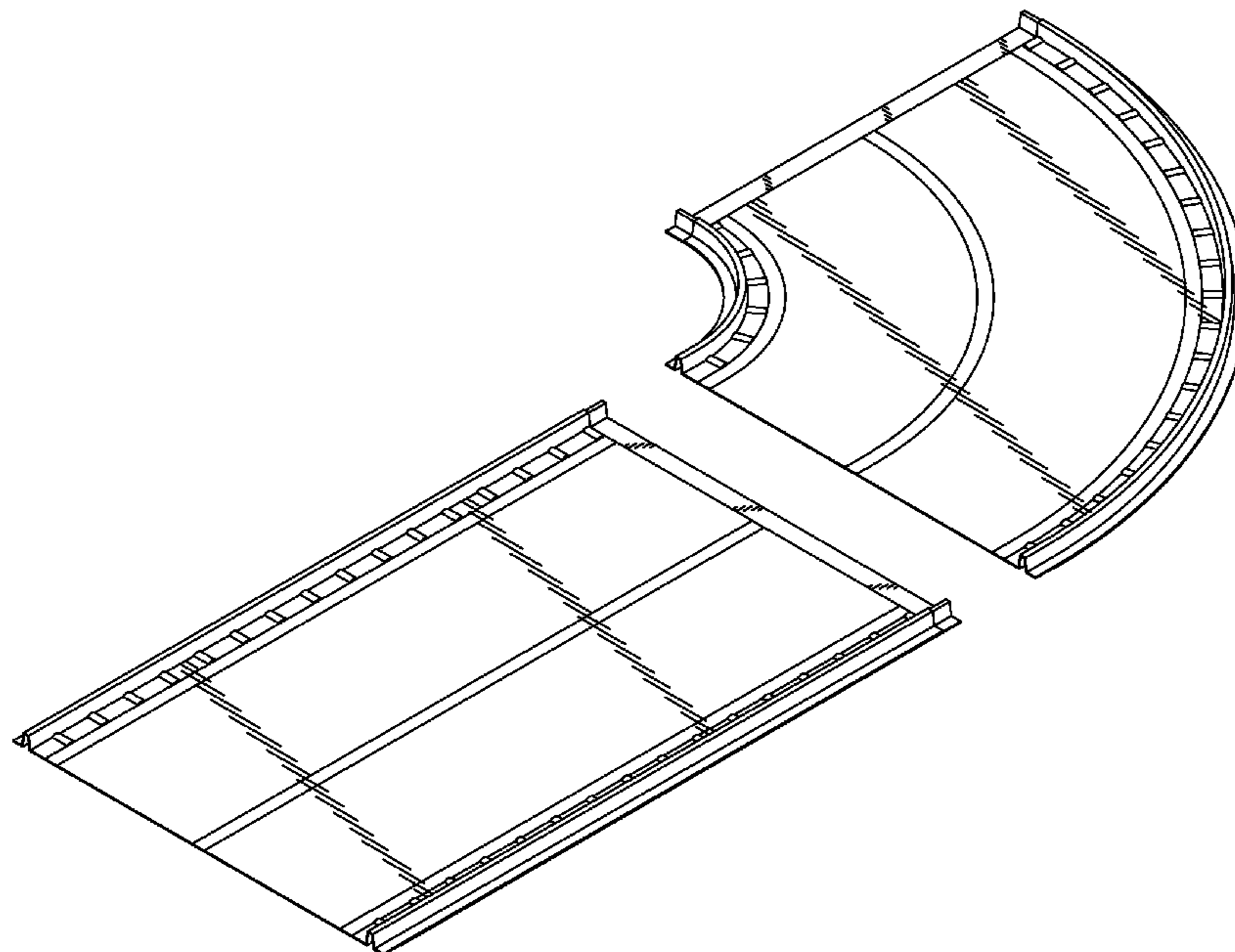
What is claimed is the ornamental design for a track, as shown and described.

**DESCRIPTION**

FIG. 1 is an exploded perspective view of a straight section and a left-curving section of a track, showing the new design; FIG. 2 is a front elevational view of the straight section of the track of FIG. 1, shown separately for the clarity of illustration; FIG. 3 is a left-side elevational view thereof, the right-side elevational view being a mirror image thereof; FIG. 4 is a top plan view thereof; FIG. 5 is a bottom plan view thereof; FIG. 6 is a front elevational view of the left-curving section of the track of FIG. 1, shown separately for the clarity of illustration; FIG. 7 is a rear elevational view thereof; FIG. 8 is a top plan view thereof; FIG. 9 is a bottom plan view thereof; FIG. 10 is a left-side elevational view thereof; and, FIG. 11 is a right-side elevational view thereof.

The claim includes a 2<sup>nd</sup> embodiment which is a mirror image in all material respects of the track as shown in FIGS. 1-11.

**1 Claim, 4 Drawing Sheets**



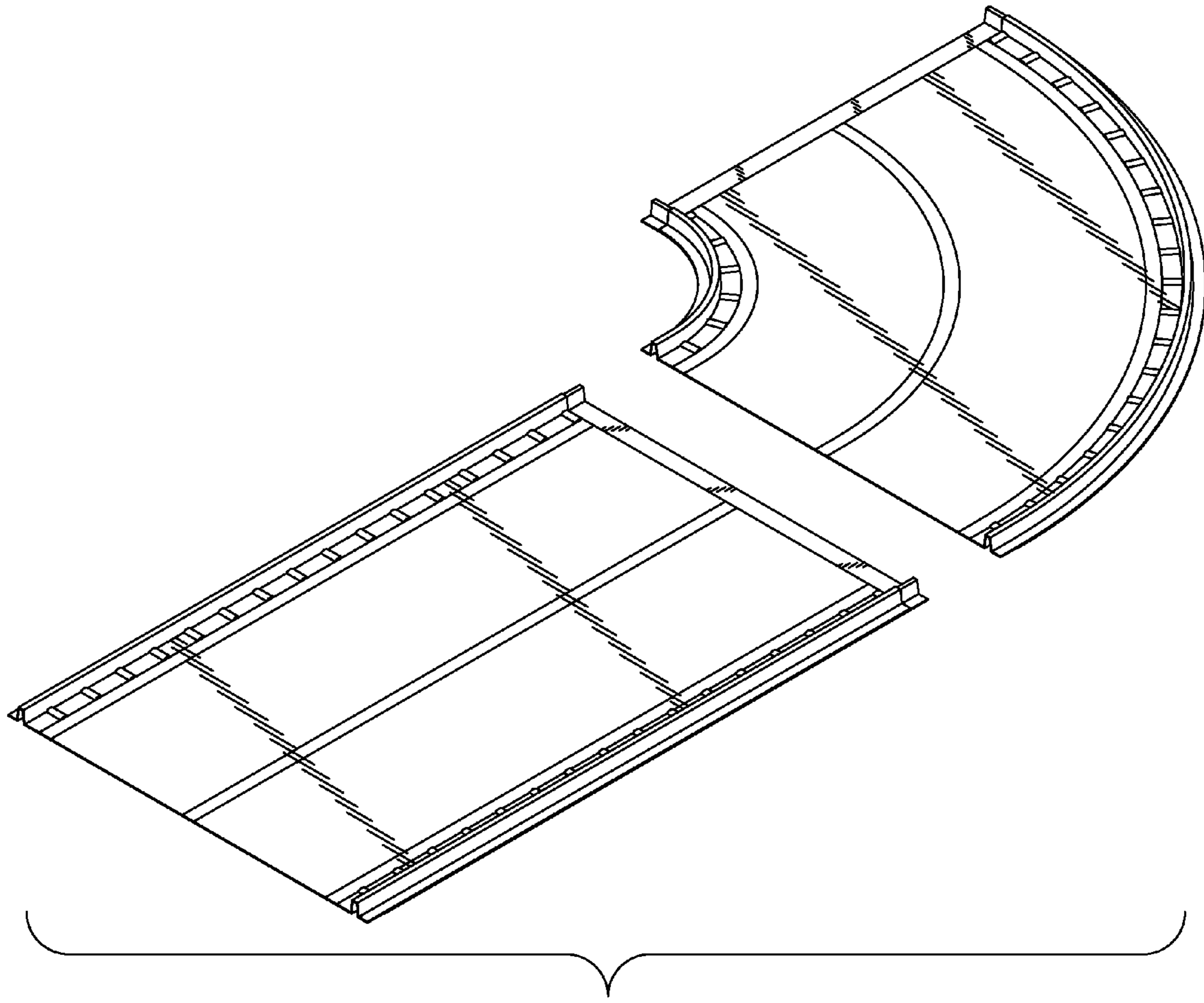


FIG. 1



FIG. 2



FIG. 3

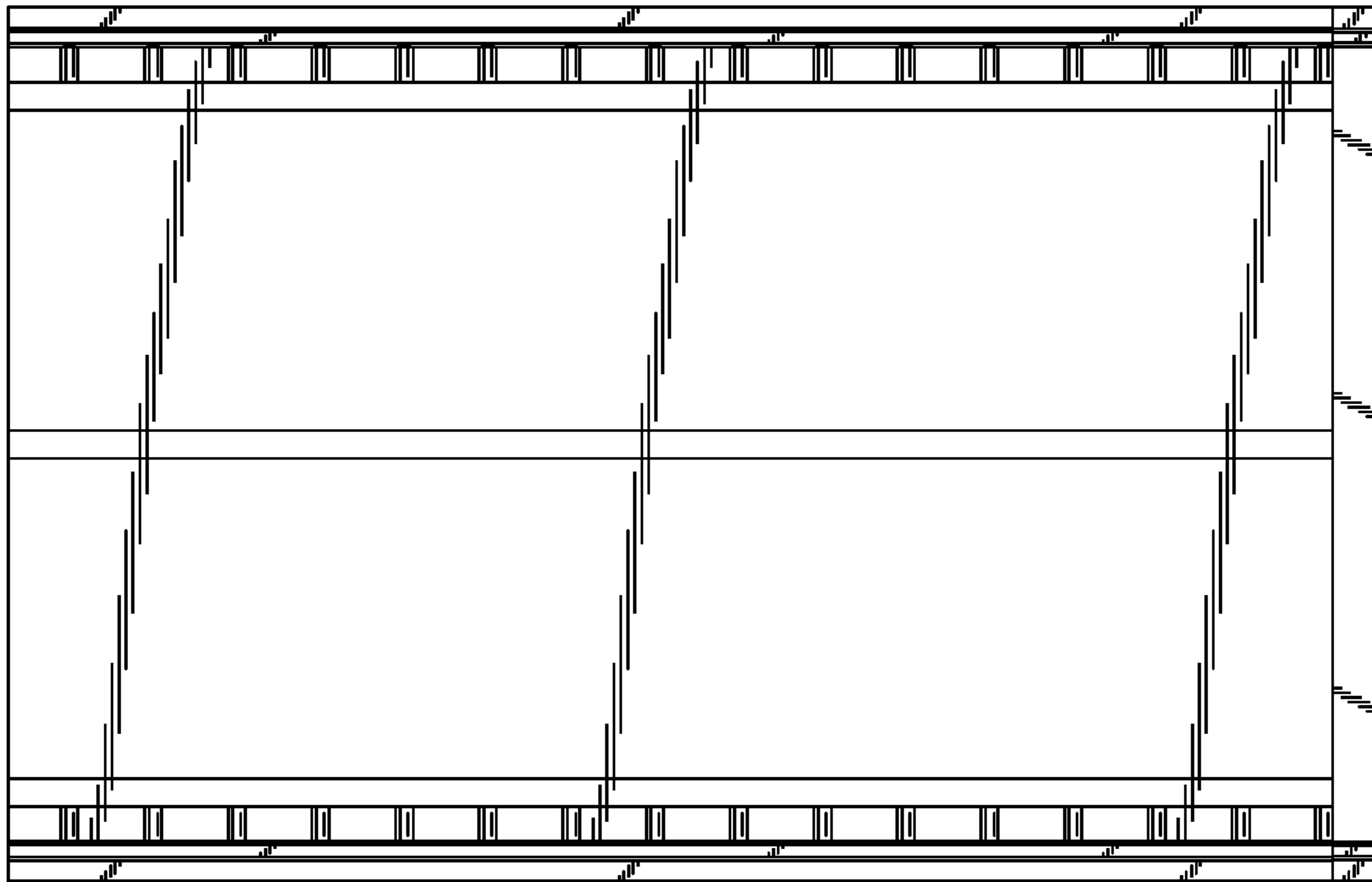


FIG. 4

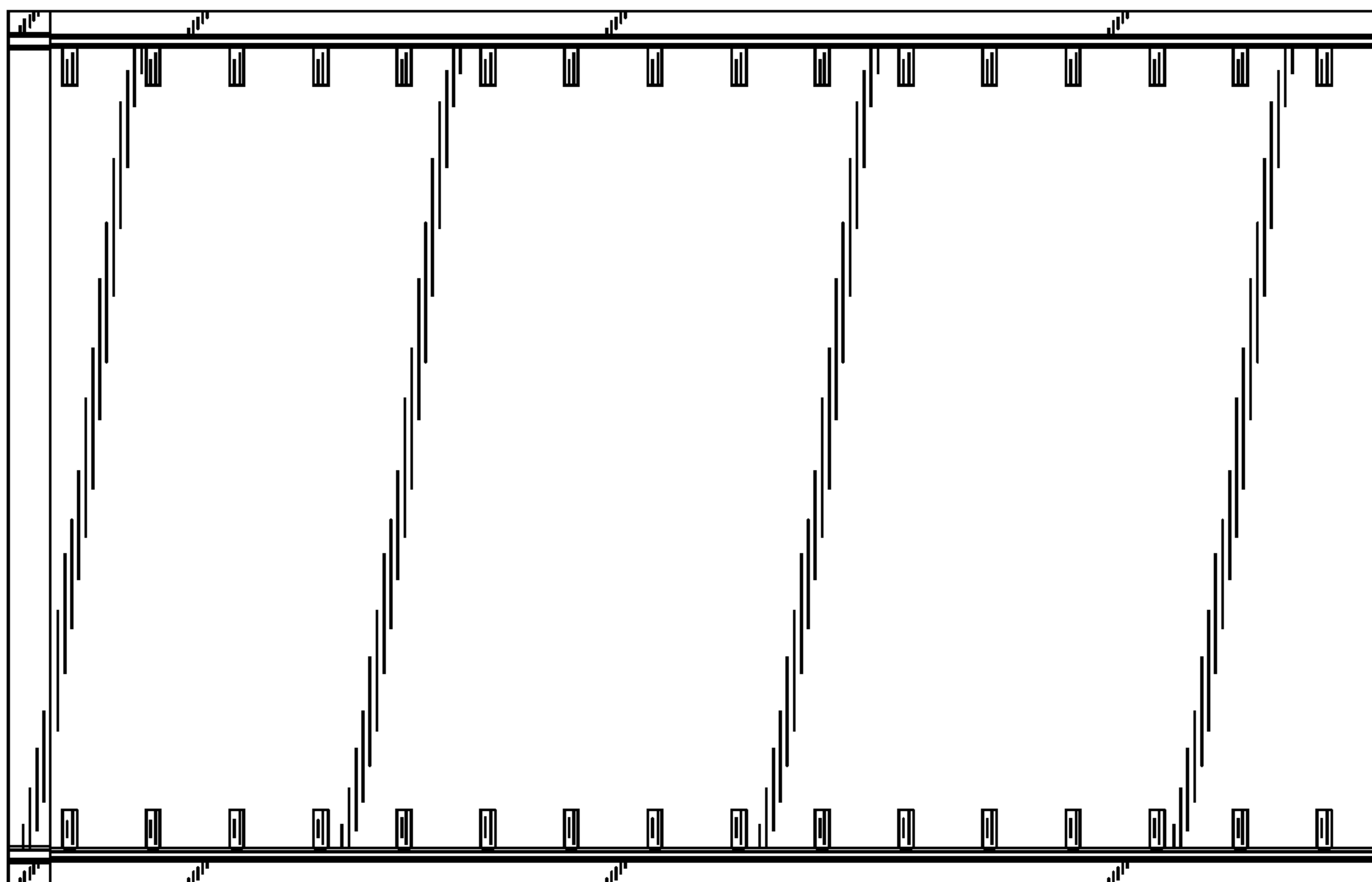


FIG. 5



FIG. 6



FIG. 7

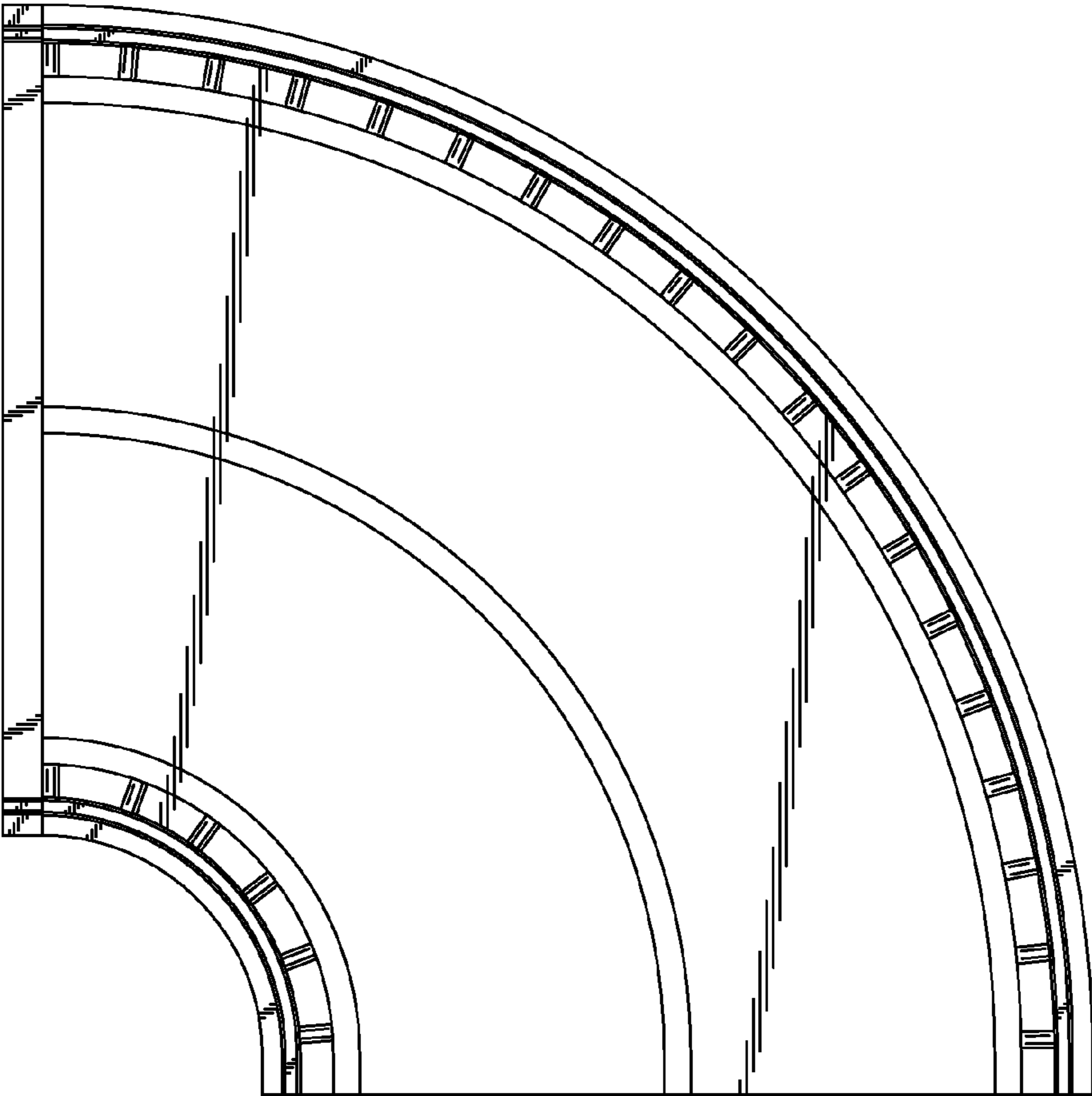


FIG. 8

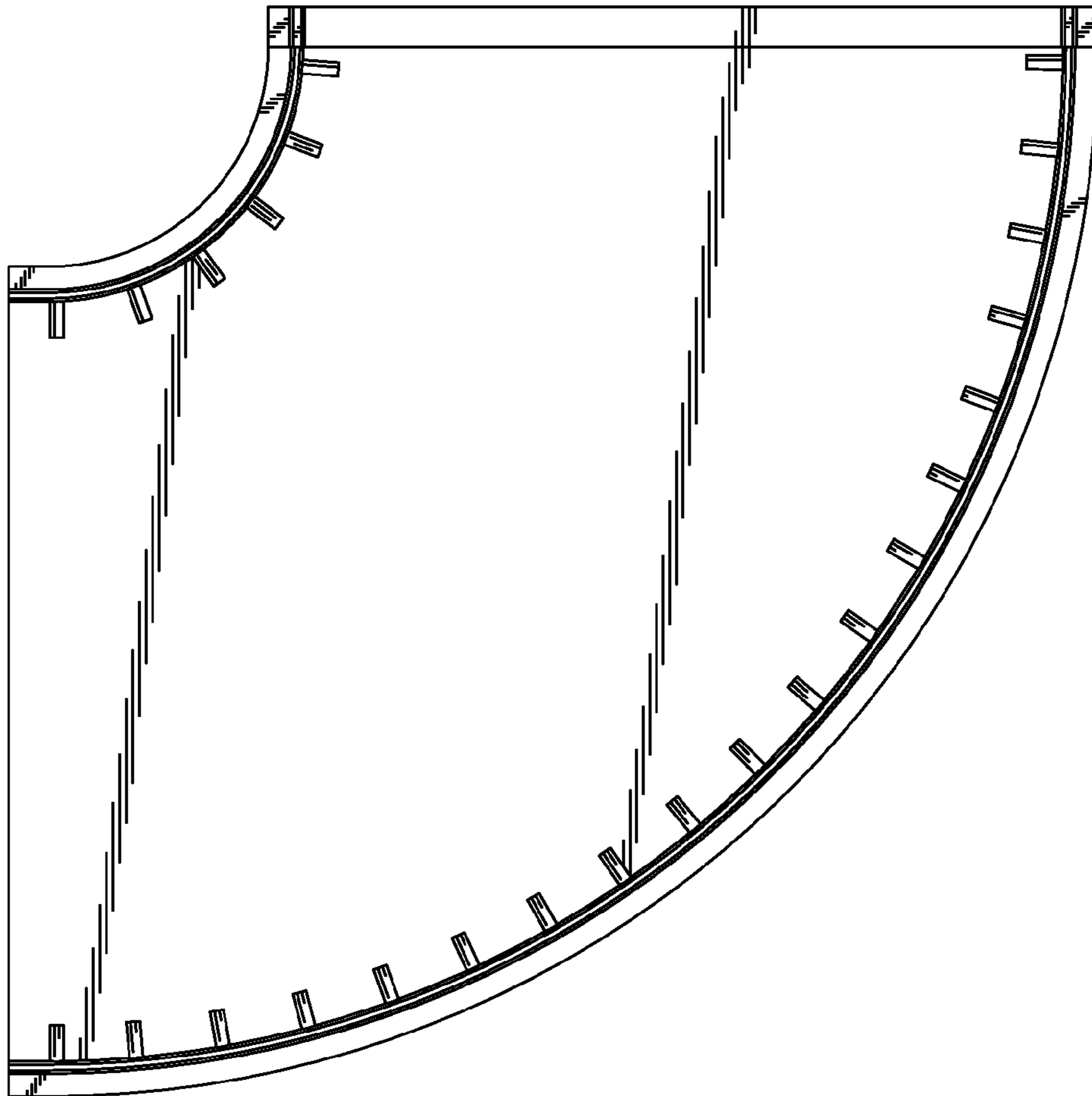


FIG. 9



FIG. 10



FIG. 11