



US00D632347S

(12) **United States Design Patent**  
**Hornsby et al.**

(10) **Patent No.:** **US D632,347 S**

(45) **Date of Patent:** **\*\* Feb. 8, 2011**

(54) **TOY CAR**

(75) Inventors: **James Russell Hornsby**, St. Louis, MO (US); **Ashley B. Hornsby**, Dallas, TX (US); **Joseph McGowan**, St. Charles, MO (US); **Michael Reynolds**, St. Louis, MO (US)

(73) Assignee: **Cepia, LLC**, St. Louis, MO (US)

(\*\*) Term: **14 Years**

(21) Appl. No.: **29/345,508**

(22) Filed: **Oct. 16, 2009**

(51) **LOC (9) Cl.** ..... **21-01**

(52) **U.S. Cl.** ..... **D21/548**

(58) **Field of Classification Search** ..... D21/533,  
D21/548, 549, 550, 561, 562, 433; D12/82,  
D12/86, 88, 89, 90, 91, 92, 93; 446/465,  
446/468, 470, 471, 431, 454-456

See application file for complete search history.

(56) **References Cited**

**U.S. PATENT DOCUMENTS**

1,991,654	A *	2/1935	Brubaker	.....	446/471
D221,094	S *	7/1971	Greenwood	.....	D21/548
D232,029	S *	7/1974	Glass	.....	D21/548
4,556,397	A	12/1985	Arad et al.		
4,752,272	A	6/1988	Karasawa		
4,813,908	A	3/1989	Oikawa et al.		
D318,698	S *	7/1991	Roann	.....	D21/548
D381,710	S *	7/1997	Kato	.....	D21/548
D412,542	S *	8/1999	Lun	.....	D21/548
D428,076	S *	7/2000	Wise et al.	.....	D21/548

D430,236	S *	8/2000	Reithmeier	.....	D21/548
D433,466	S *	11/2000	Tsai	.....	D21/548
D448,432	S *	9/2001	Yamanouchi	.....	D21/548
D450,784	S *	11/2001	Yamazaki	.....	D21/548
6,565,407	B1	5/2003	Woolington et al.		
7,207,859	B1	4/2007	Iaconis et al.		

**OTHER PUBLICATIONS**

U.S. Appl. No. 29/314,493, filed Apr. 7, 2009, Hornsby.  
U.S. Appl. No. 12/384,993, filed Apr. 13, 2009, Hornsby et al.  
U.S. Appl. No. 12/463,391, filed May 9, 2009, Hornsby et al.  
U.S. Appl. No. 12/540,199, filed Aug. 12, 2009, Hornsby et al.  
U.S. Appl. No. 12/572,610, filed Oct. 2, 2009, Hornsby et al.

(Continued)

*Primary Examiner*—Cynthia M Chin

(74) *Attorney, Agent, or Firm*—Stinson Morrison Hecker LLP

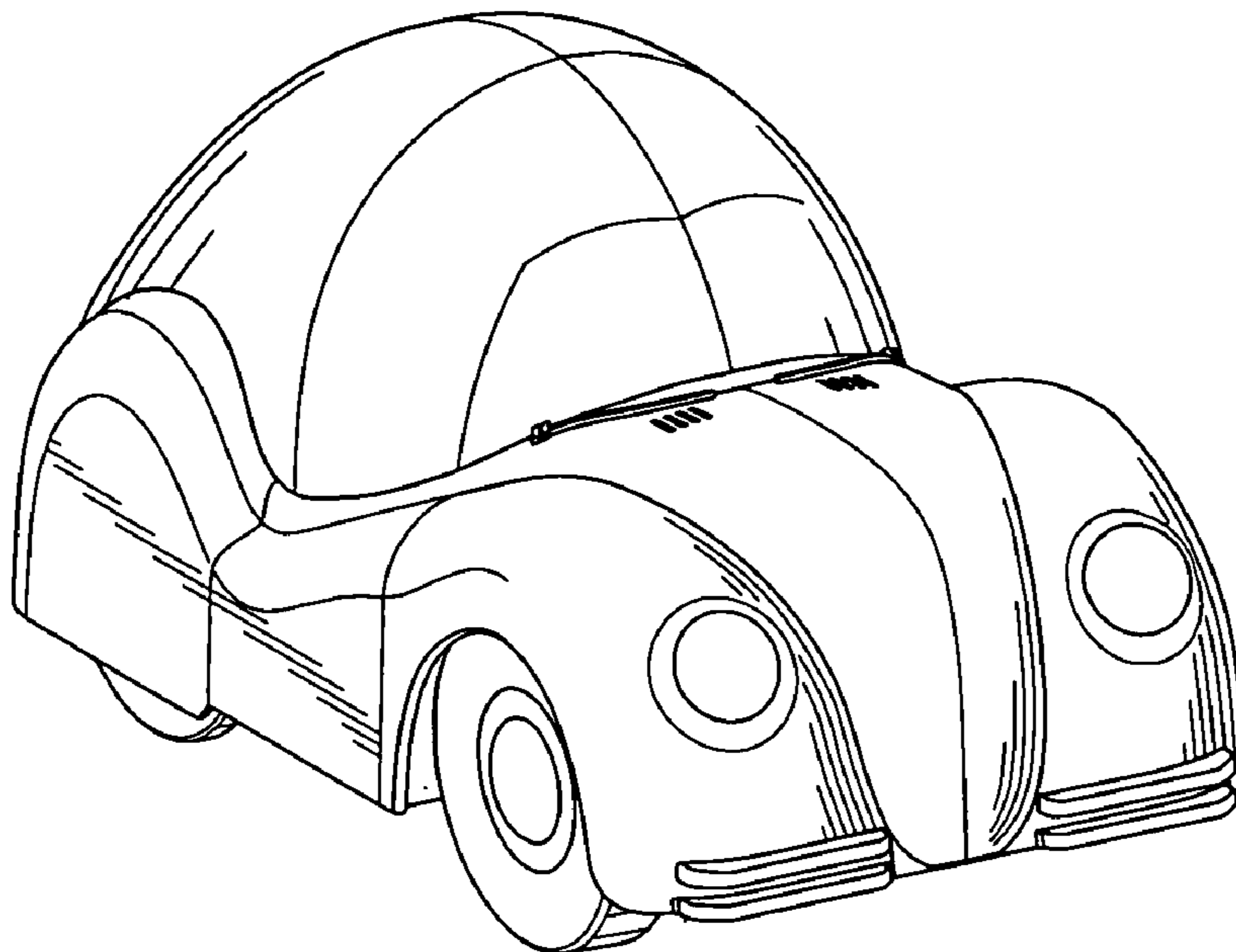
(57) **CLAIM**

The ornamental design for a toy car, as shown and described.

**DESCRIPTION**

FIG. 1 is a front perspective view of the toy car;  
FIG. 2 is a right side elevational view of the toy car of FIG. 1;  
FIG. 3 is a left side elevational view of the toy car of FIG. 1;  
FIG. 4 is a top plan view of the toy car of FIG. 1;  
FIG. 5 is a bottom plan view of the toy car of FIG. 1;  
FIG. 6 is a front end elevational view of the toy car of FIG. 1;  
and,  
FIG. 7 is a rear end elevational view of the toy car of FIG. 1.

**1 Claim, 2 Drawing Sheets**



# US D632,347 S

Page 2

---

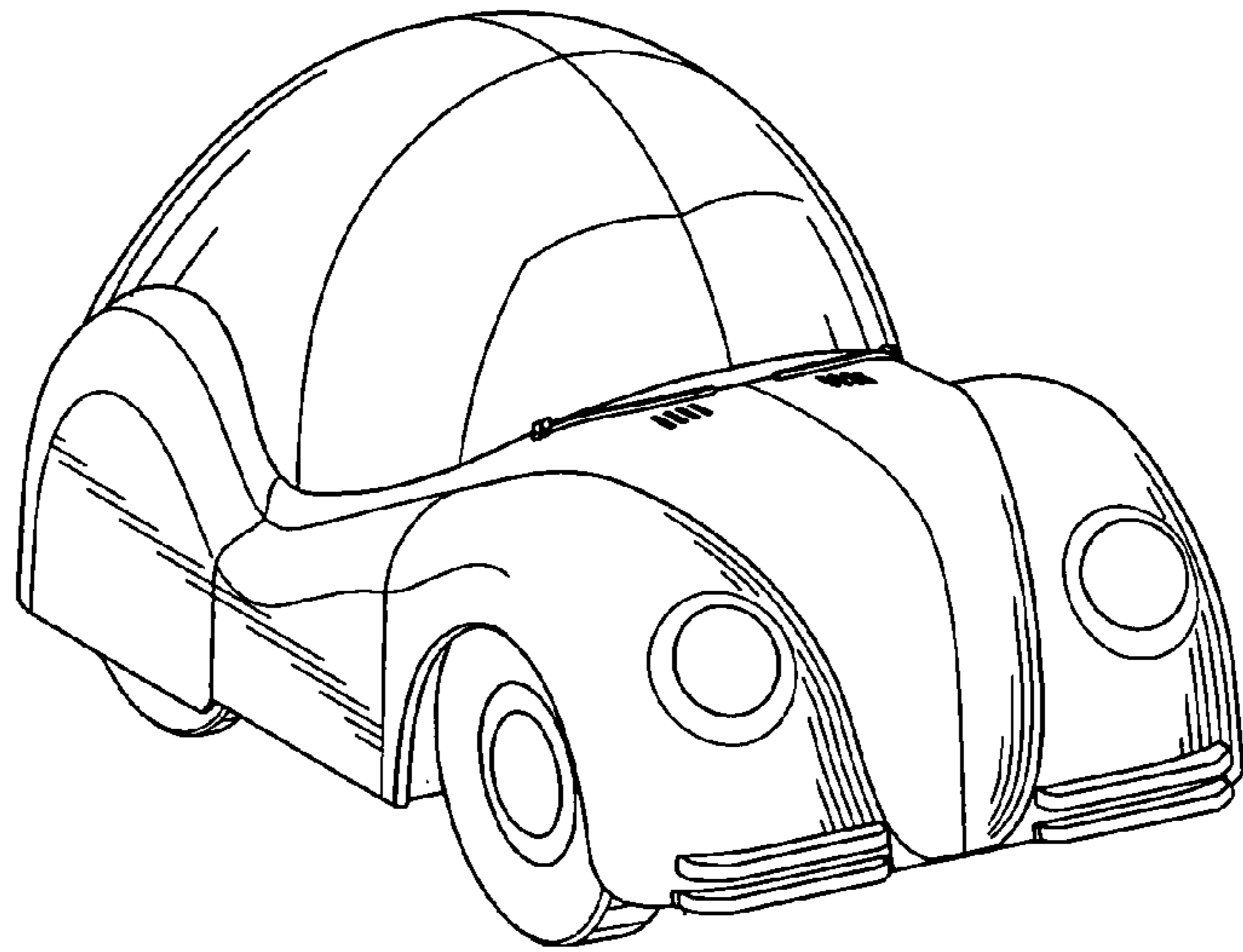
## OTHER PUBLICATIONS

U.S. Appl. No. 29/345,500, filed Oct. 16, 2009, Hornsby et al.  
U.S. Appl. No. 29/345,506, filed Oct. 16, 2009, Hornsby et al.  
U.S. Appl. No. 29/345,513, filed Oct. 16, 2009, Hornsby et al.

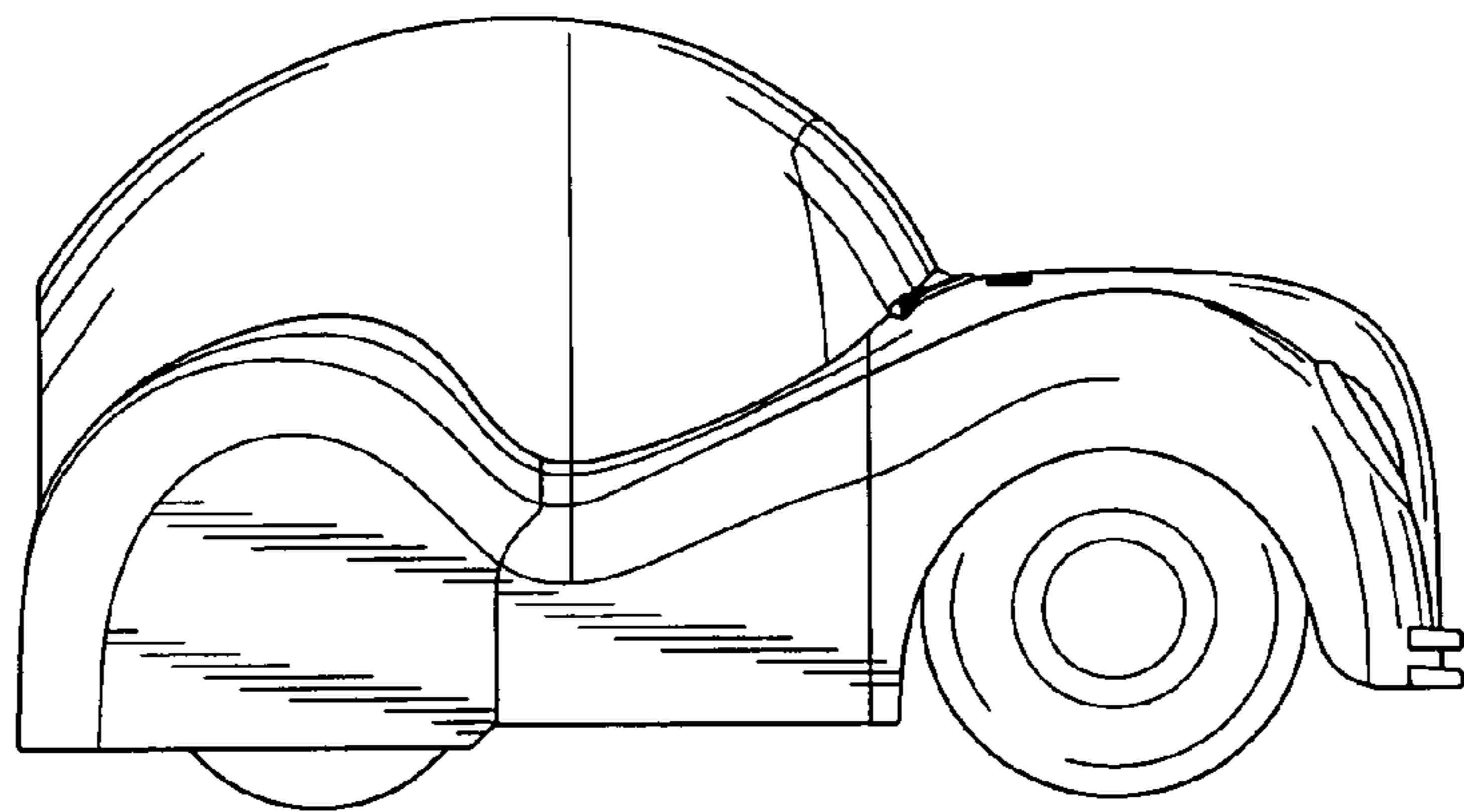
U.S. Appl. No. 29/345,515, filed Oct. 16, 2009, Hornsby et al.

U.S. Appl. No. 12/790,047, filed May 28, 2010, Hornsby et al.

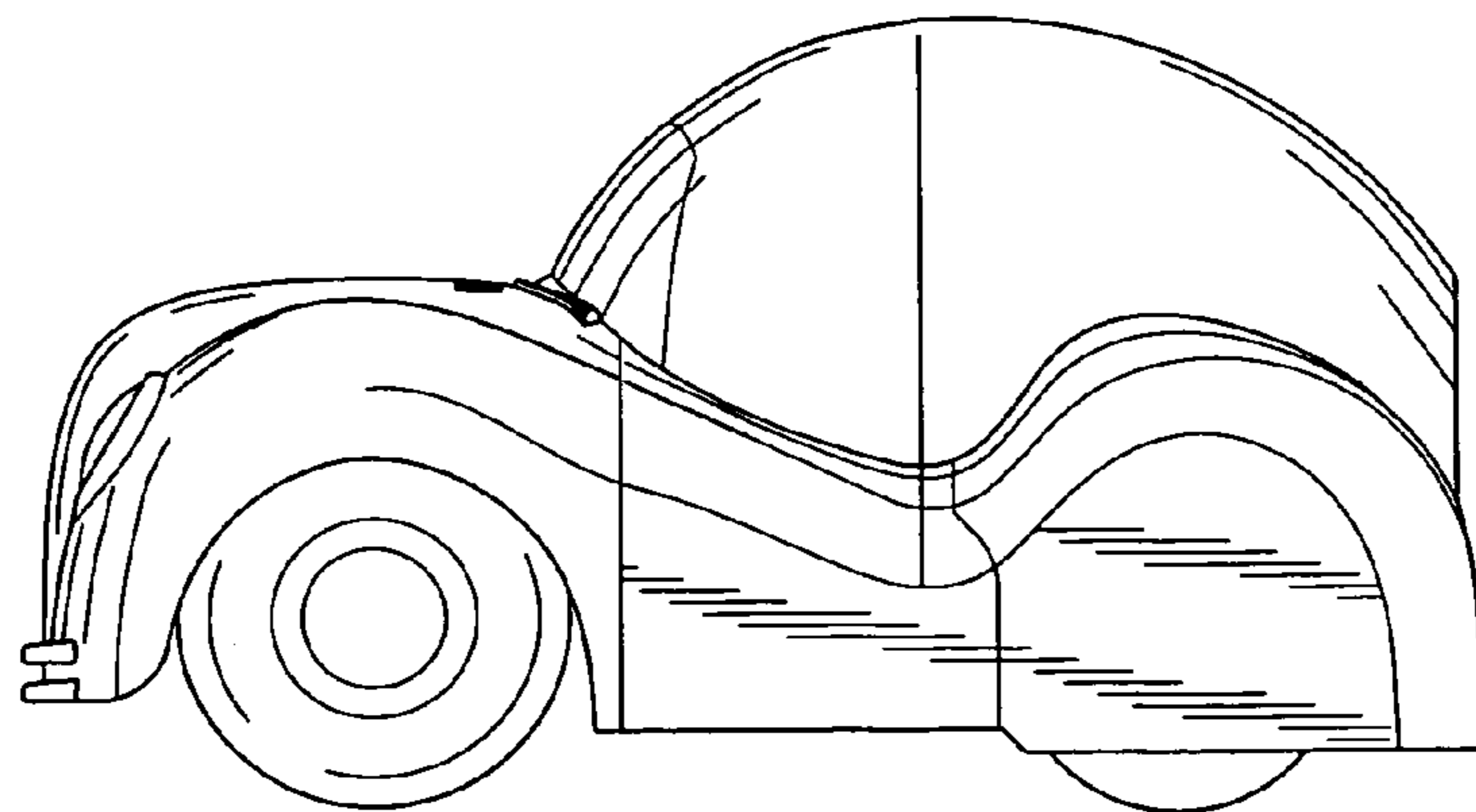
\* cited by examiner



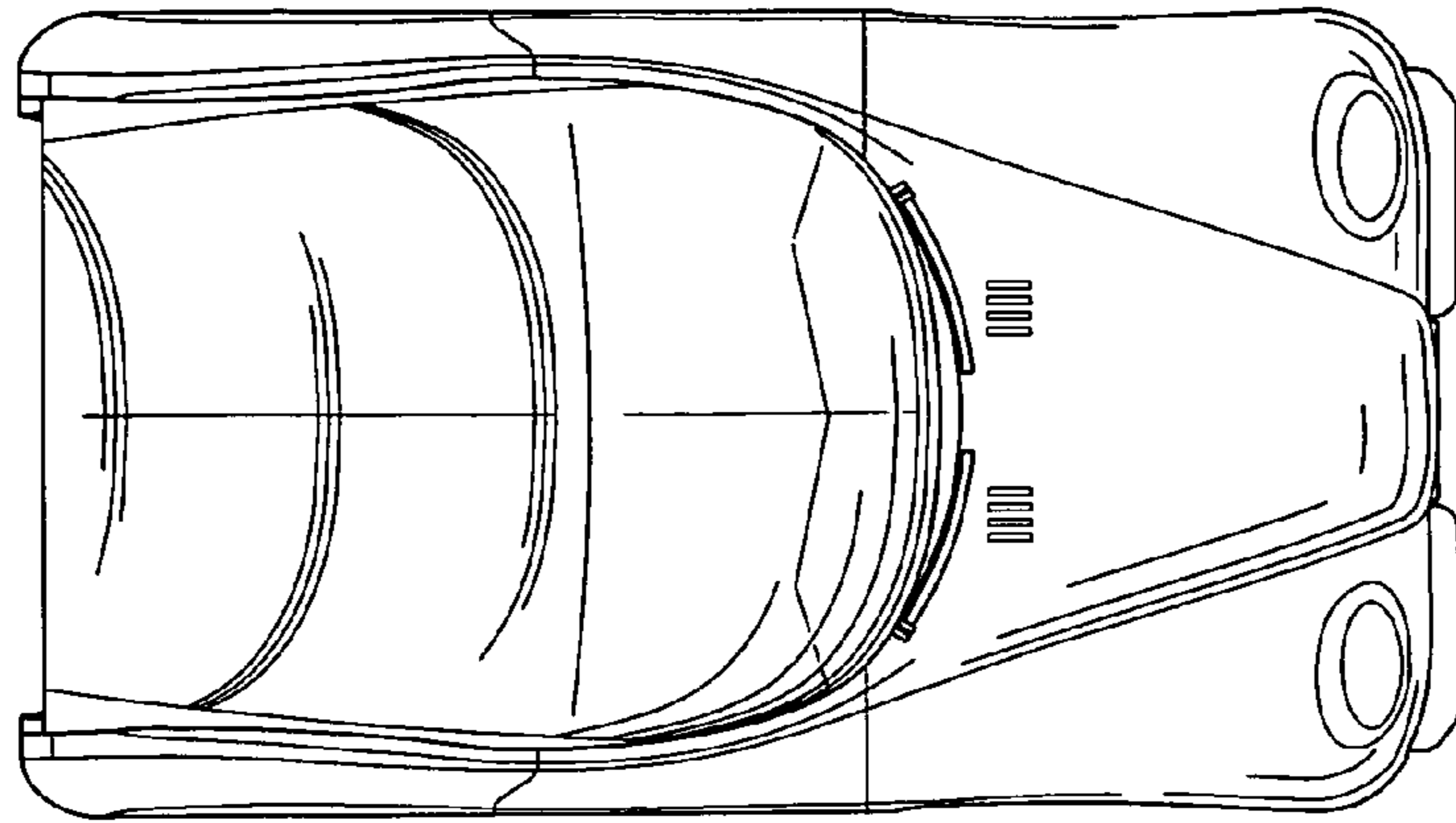
*FIG. 1*



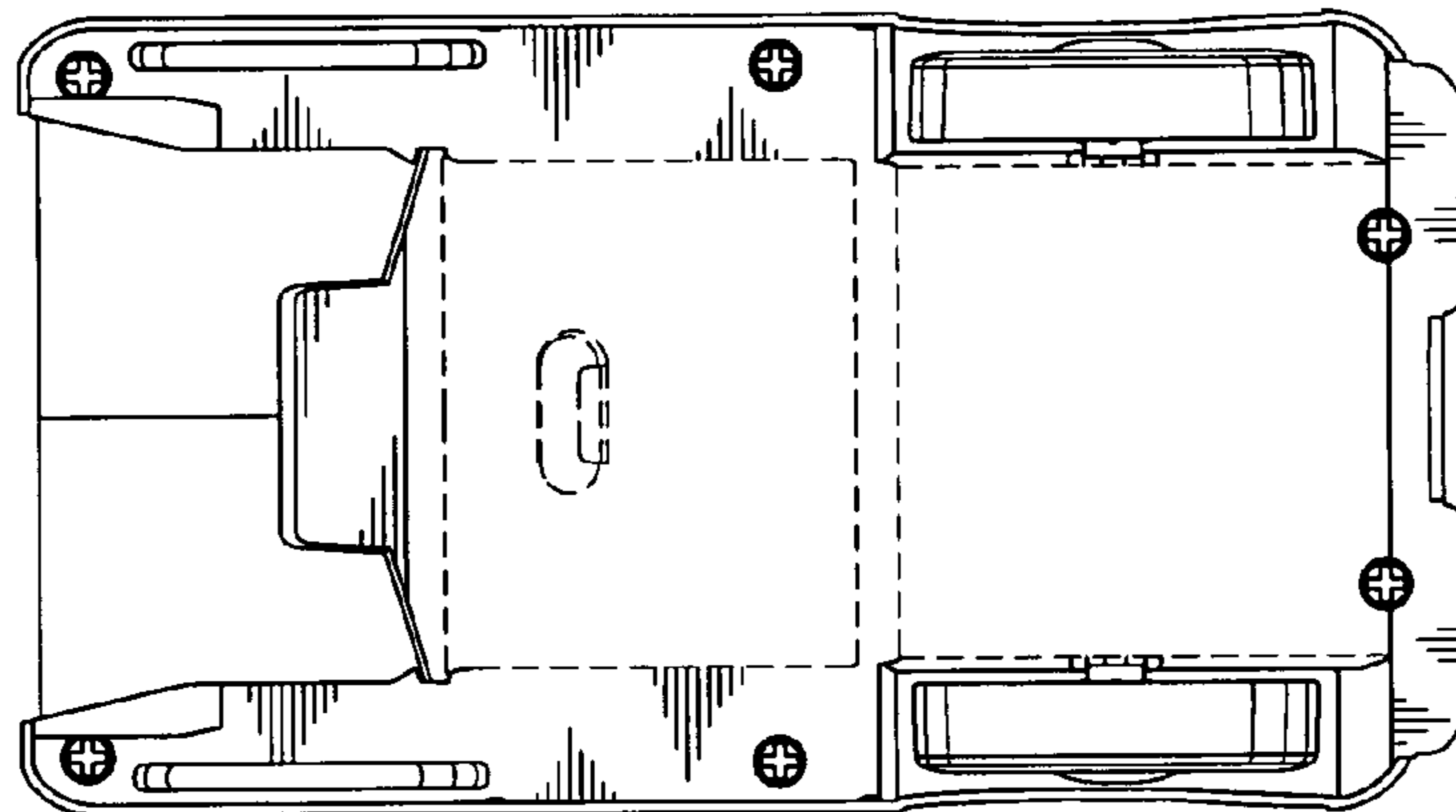
*FIG. 2*



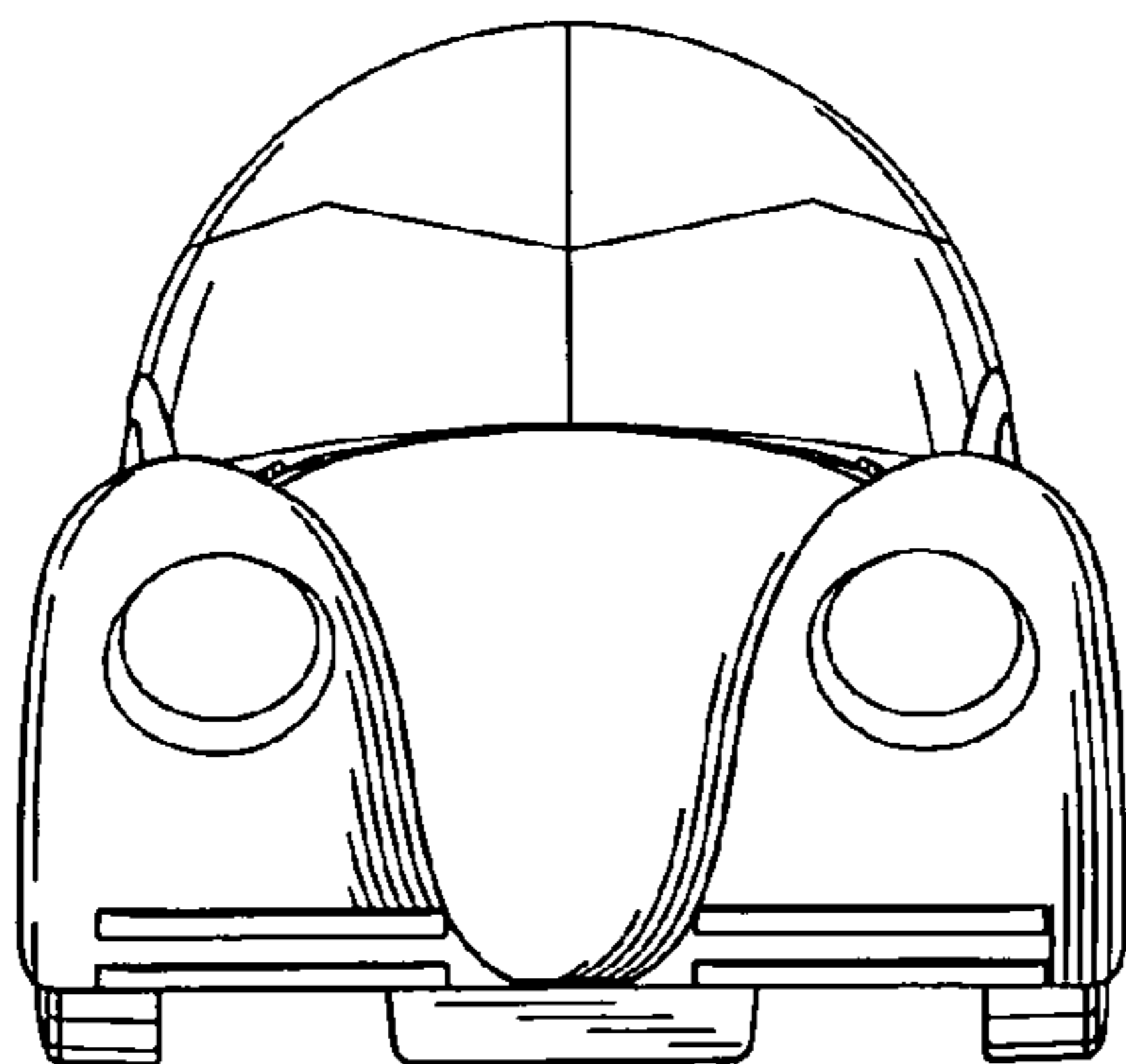
*FIG. 3*



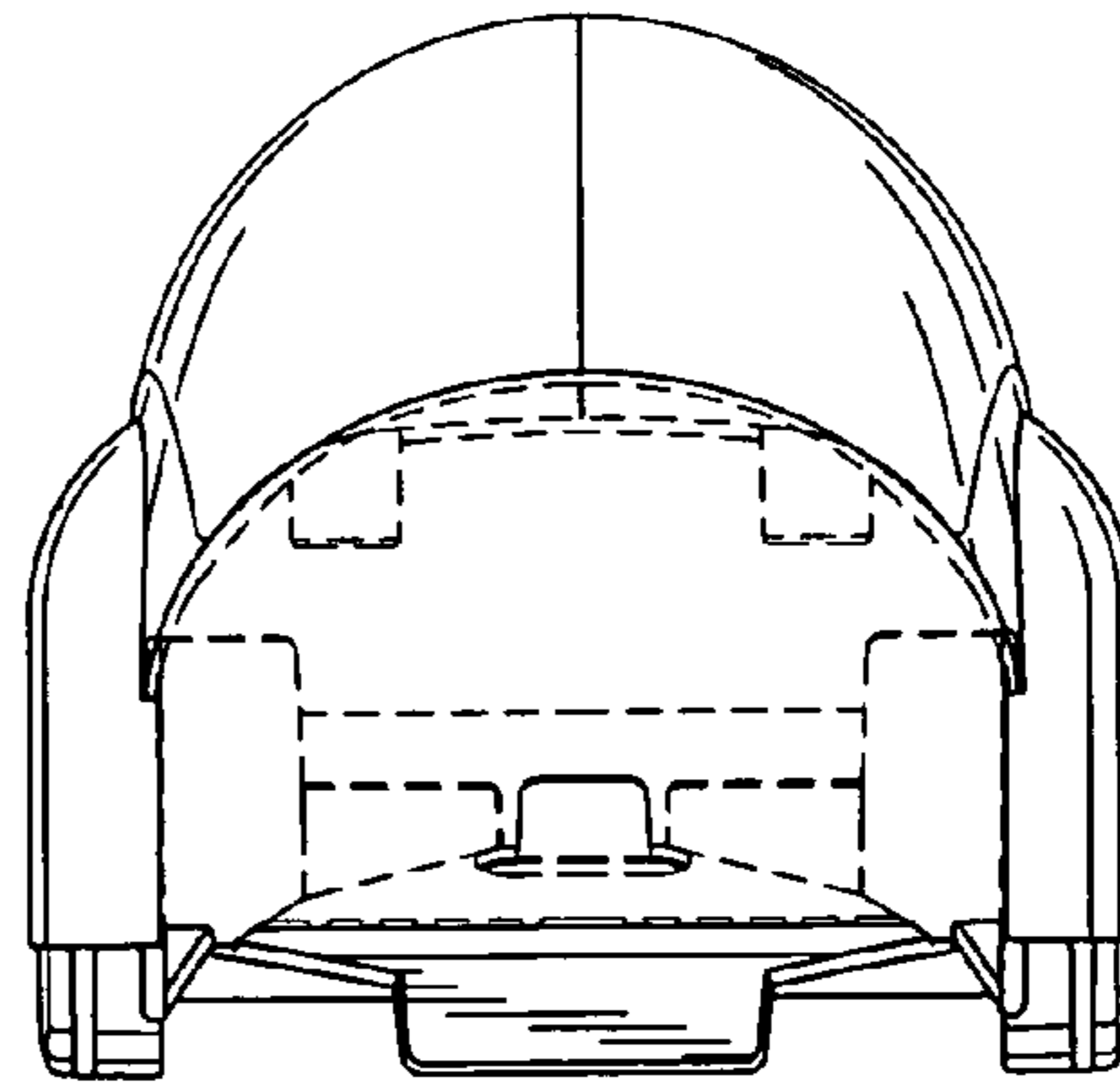
*FIG. 4*



*FIG. 5*



*FIG. 6*



*FIG. 7*