



US00D632345S

(12) **United States Design Patent**
Yuen

(10) **Patent No.:** **US D632,345 S**

(45) **Date of Patent:** **** Feb. 8, 2011**

(54) **TOY AEROPLANE**

(75) Inventor: **Terry Shiu Hang Yuen**, Kowloon (HK)

(73) Assignee: **Hobbyengine Model Ltd.**, Hong Kong (HK)

(**) Term: **14 Years**

(21) Appl. No.: **29/341,245**

(22) Filed: **Jul. 31, 2009**

(30) **Foreign Application Priority Data**

Feb. 12, 2009 (HK) 0900215

(51) **LOC (9) Cl.** **21-01**

(52) **U.S. Cl.** **D21/450**

(58) **Field of Classification Search** D12/325-329,
D12/447-452; D21/441-442, 447-452;
244/17.11, 17.13, 17.19, 17.23, 17.25; 446/34,
446/36, 55-61, 230-232

See application file for complete search history.

(56) **References Cited**

U.S. PATENT DOCUMENTS

D148,670 S * 2/1948 Atkins D21/450
4,204,358 A * 5/1980 Briggs 446/57
D358,432 S * 5/1995 Harada D21/448
D406,618 S * 3/1999 Harada D21/450
D495,376 S * 8/2004 Zee D21/450

D508,094 S * 8/2005 Khasminsky D21/450
D511,797 S * 11/2005 Tabor et al. D21/445
D542,708 S * 5/2007 Lawrence et al. D21/447

* cited by examiner

Primary Examiner—Sandra Morris

(74) *Attorney, Agent, or Firm*—Baker & McKenzie LLP

(57) **CLAIM**

The ornamental design for a toy aeroplane, as illustrated and described.

DESCRIPTION

FIG. 1 is a top view of the toy aeroplane in accordance with my design;

FIG. 2 is a right side view of the toy aeroplane shown in FIG. 1;

FIG. 3 is a left side view of the toy aeroplane shown in FIGS. 1-2;

FIG. 4 is a left perspective view of the toy aeroplane shown in FIGS. 1-3;

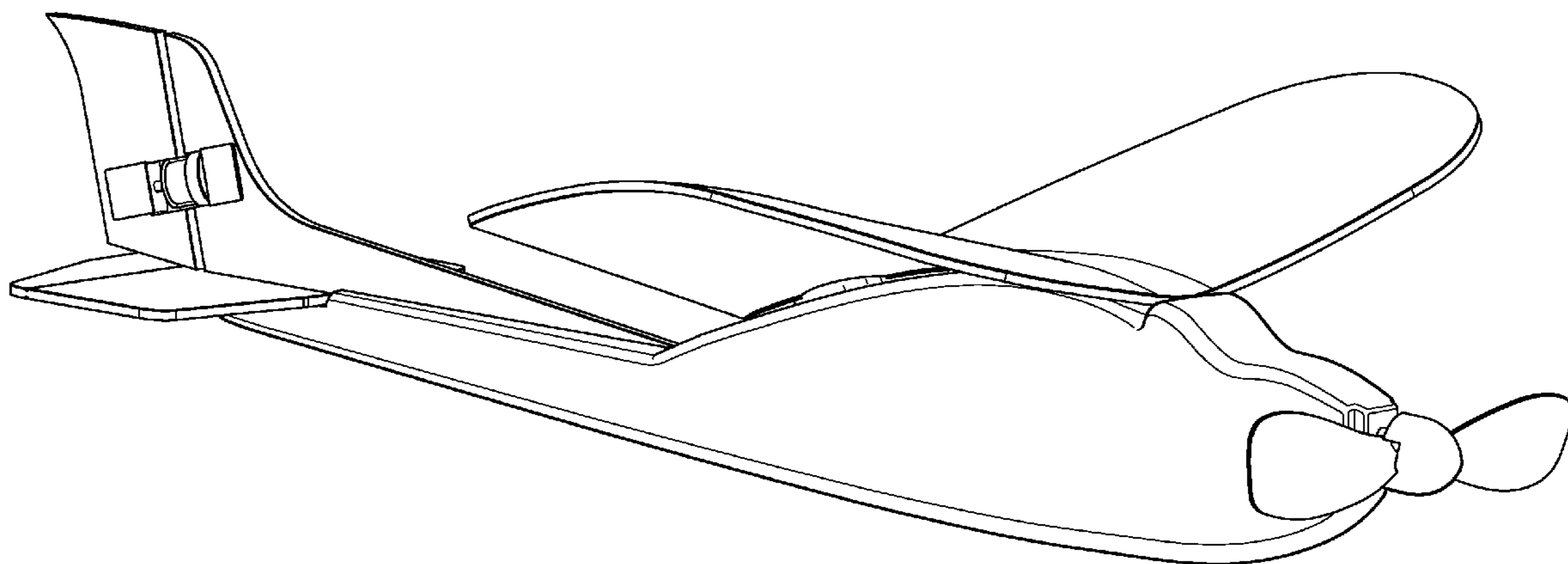
FIG. 5 is a right perspective view of the toy aeroplane shown in FIGS. 1-4;

FIG. 6 is a back view of the toy aeroplane shown in FIGS. 1-5;

FIG. 7 is a bottom view of the toy aeroplane shown in FIGS. 1-6; and,

FIG. 8 is a front view of the toy aeroplane shown in FIGS. 1-7.

1 Claim, 8 Drawing Sheets



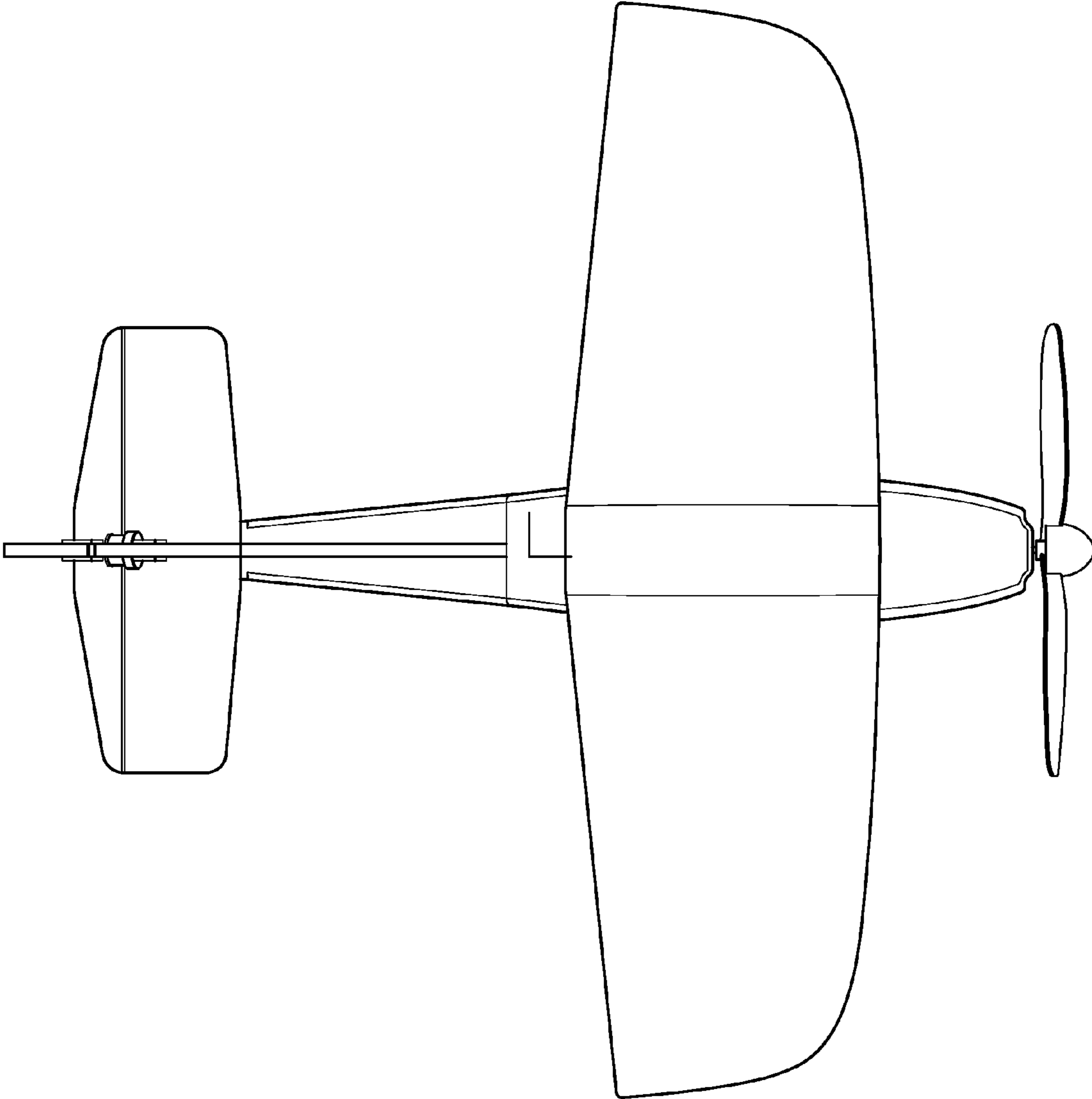


FIG. 1

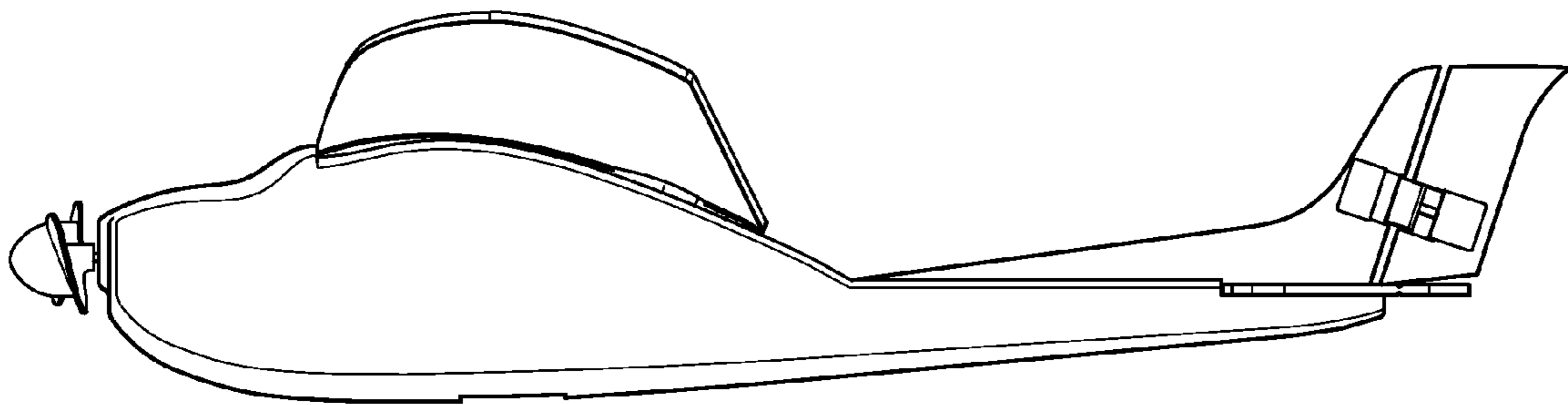


FIG. 2

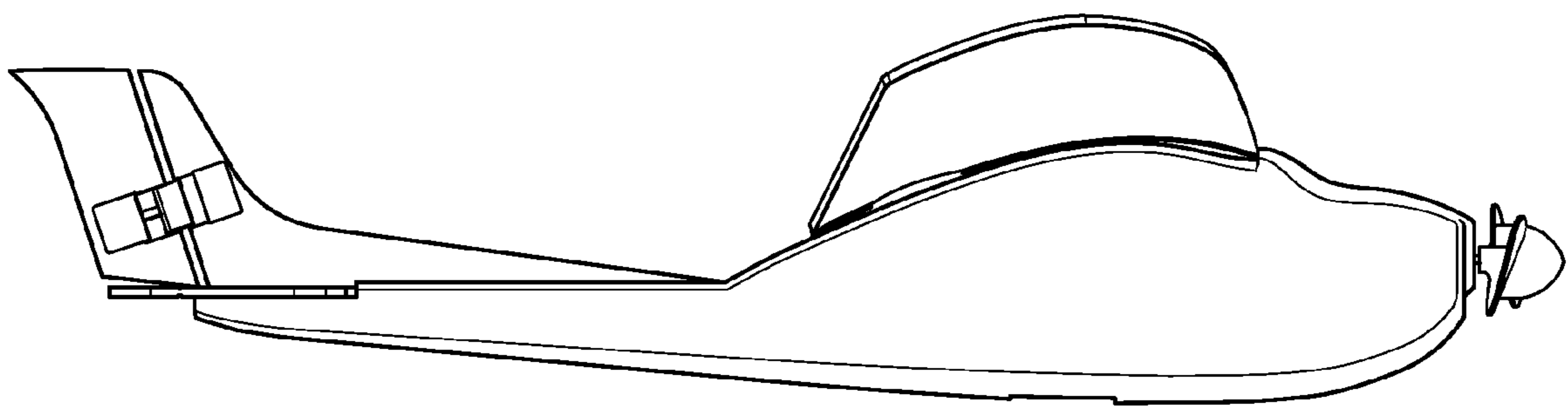


FIG. 3

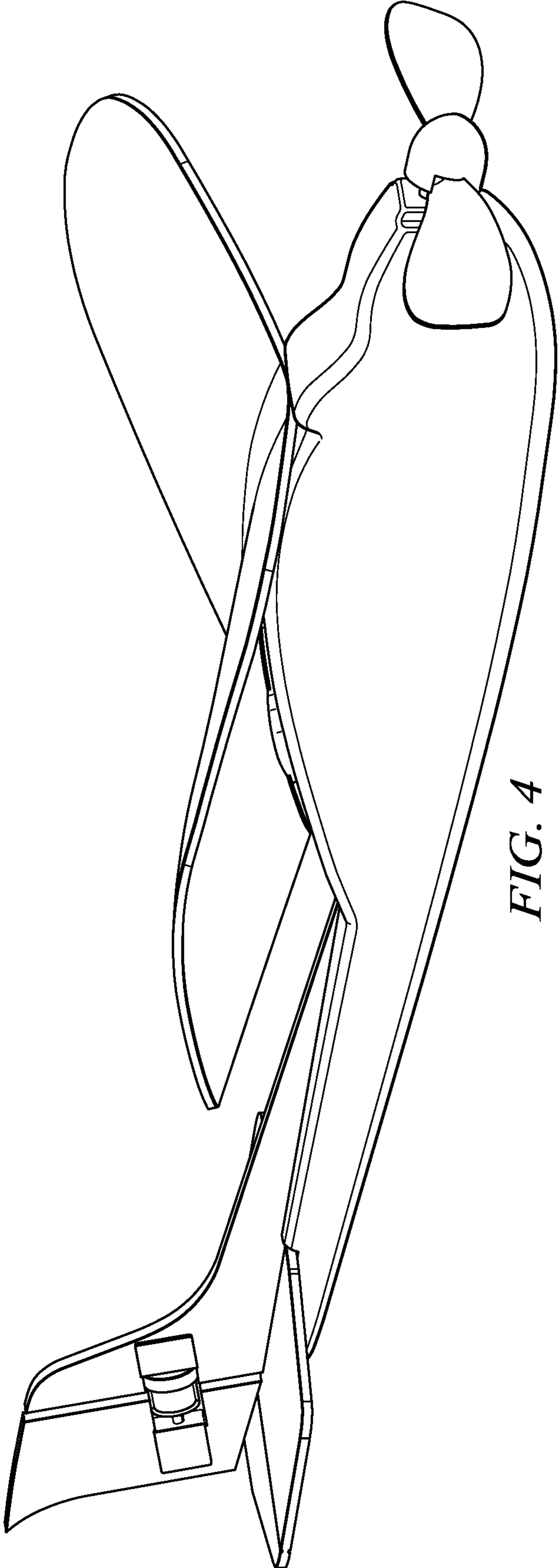


FIG. 4



FIG. 5

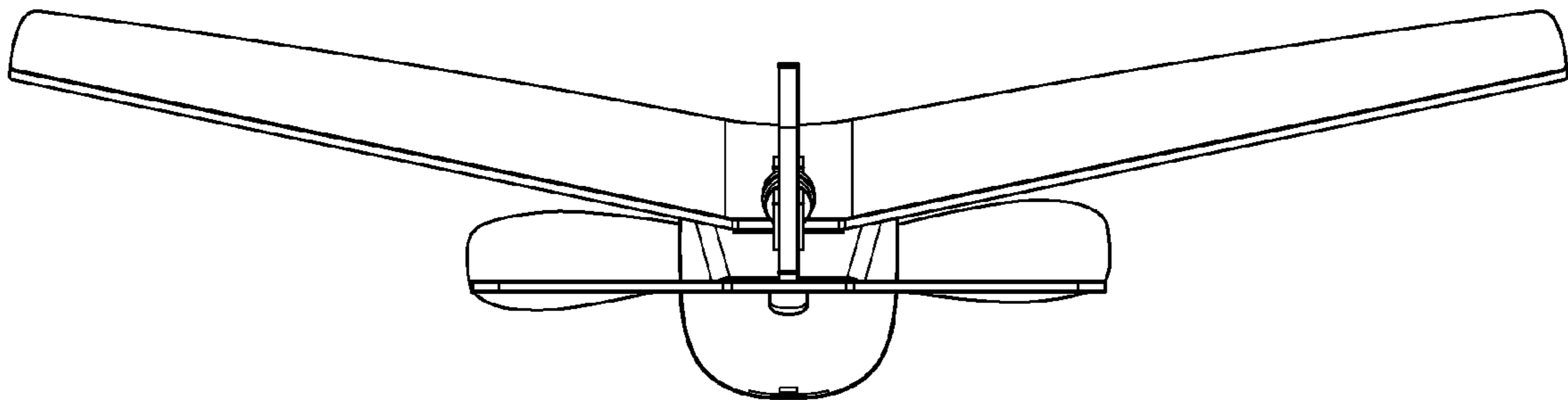


FIG. 6

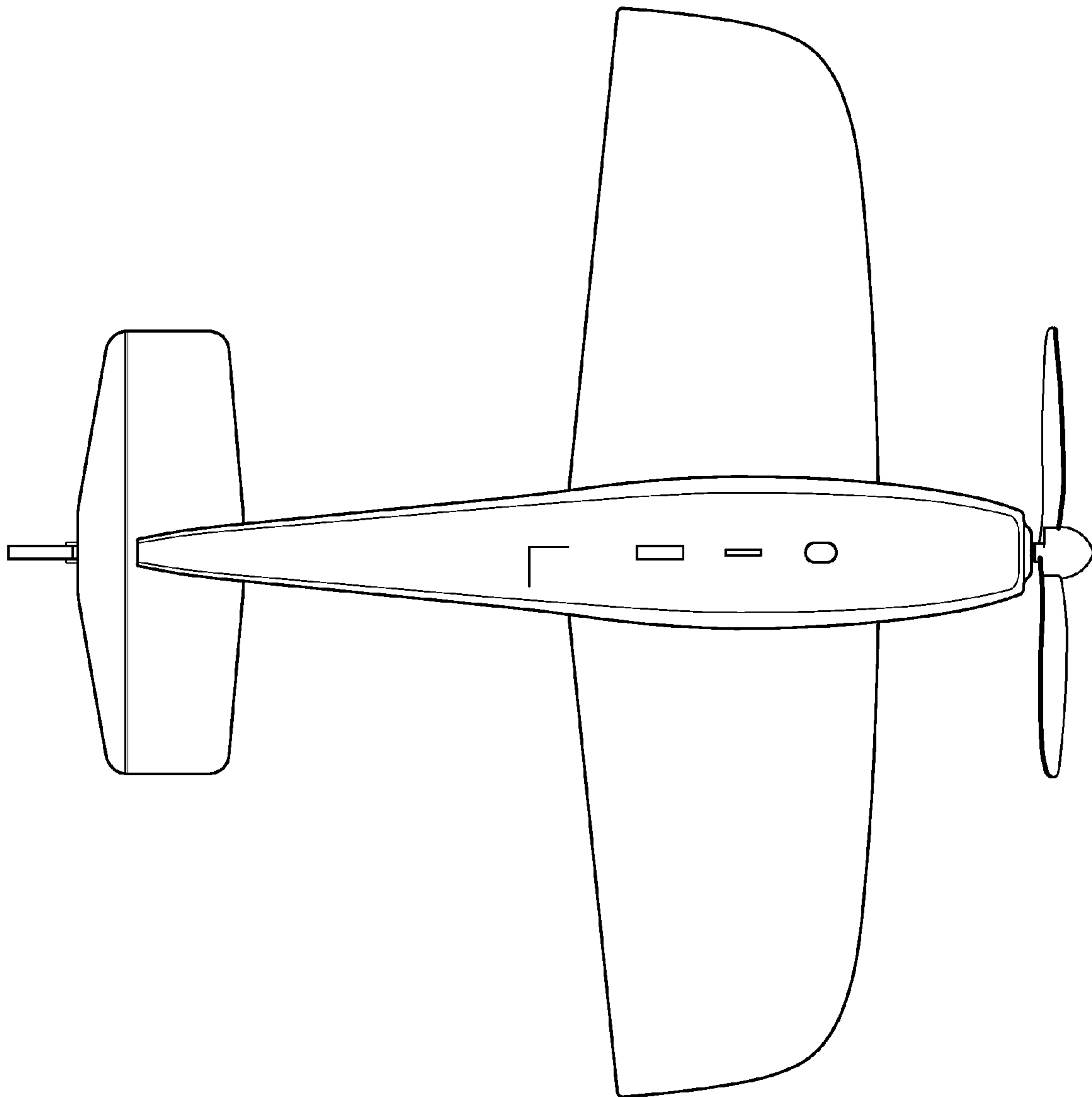


FIG. 7

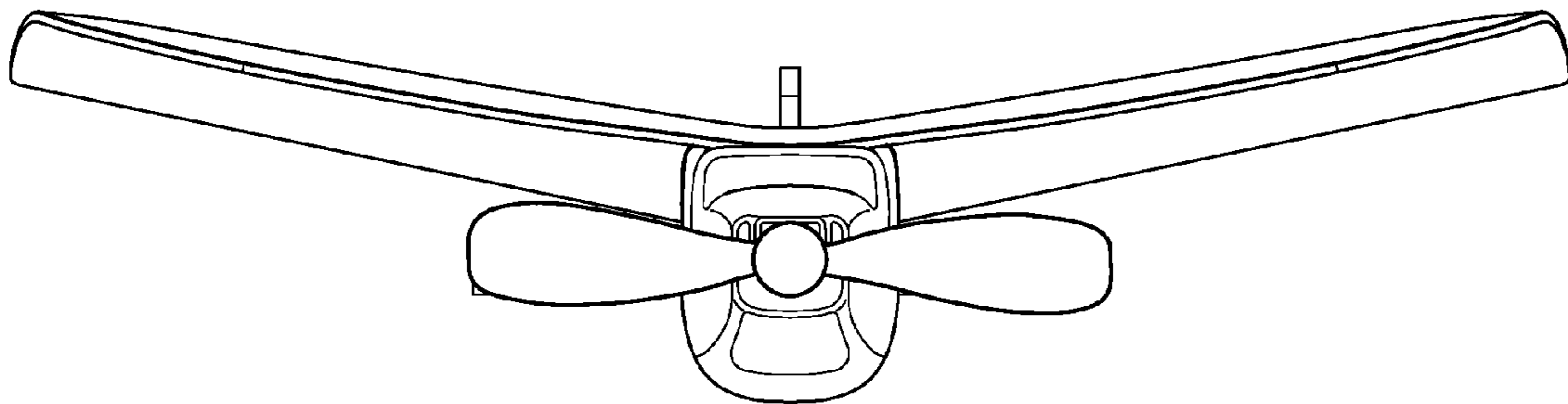


FIG. 8