



US00D632342S

(12) **United States Design Patent**
Wen

(10) **Patent No.:** **US D632,342 S**
(45) **Date of Patent:** **** Feb. 8, 2011**

(54) **GAMING MACHINE**

2009/0029755 A1* 1/2009 Chun 463/13

(75) Inventor: **Frank Wen**, Taipei (TW)

* cited by examiner

(73) Assignee: **Ibase Technology Inc.**, Taipei (TW)

Primary Examiner—Sandra Morris

(74) *Attorney, Agent, or Firm*—Rabin & Berdo, P.C.

(**) Term: **14 Years**

(57) **CLAIM**

(21) Appl. No.: **29/362,372**

The ornamental design for a gaming machine, as shown and described.

(22) Filed: **May 25, 2010**

(30) **Foreign Application Priority Data**

DESCRIPTION

Dec. 7, 2009 (TW) 98305859

FIG. 1 is a perspective view of a gaming machine showing my new design;

(51) **LOC (9) Cl.** **21-03**

FIG. 2 is a front elevational view thereof;

(52) **U.S. Cl.** **D21/370**

FIG. 3 is a rear elevational view thereof;

(58) **Field of Classification Search** D21/324-331,

FIG. 4 is a left elevational view thereof;

D21/369-371, 385; 273/274, 292; 463/16-17,

FIG. 5 is a right elevational view thereof;

463/20, 31, 46-47

FIG. 6 is a top view thereof; and,

See application file for complete search history.

FIG. 7 is a bottom view.

(56) **References Cited**

The broken lines in FIGS. 3-7 are included for the purpose of illustrating a portion of the bottom that forms no part of the claimed design.

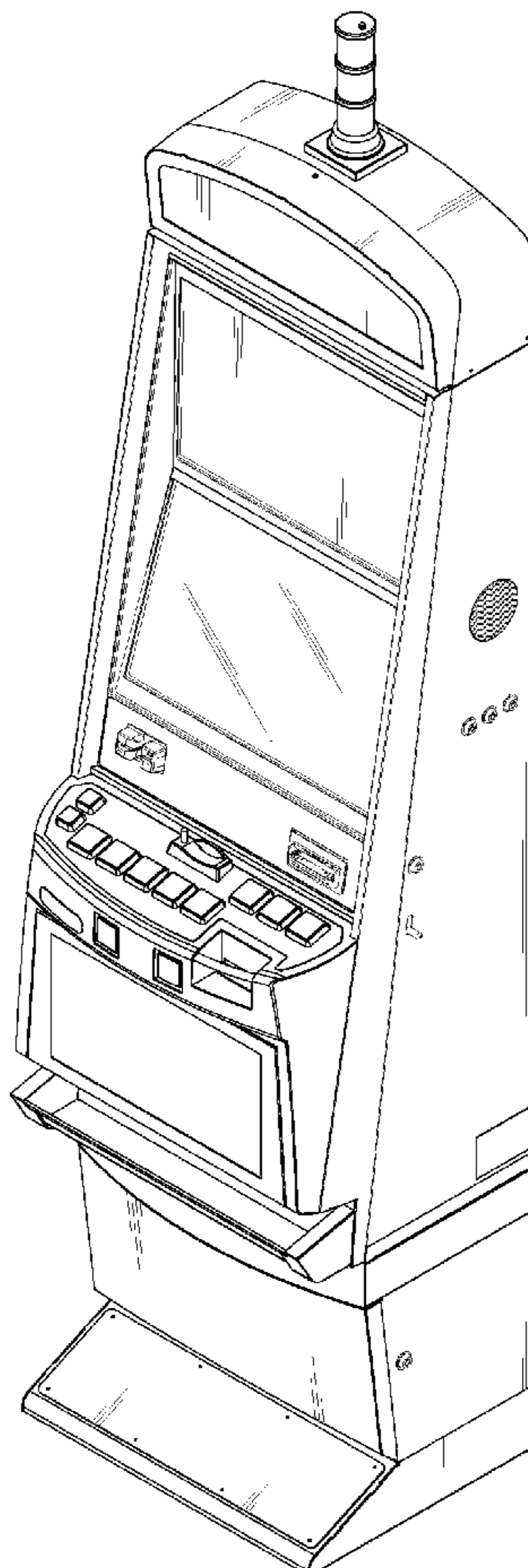
U.S. PATENT DOCUMENTS

D508,719 S * 8/2005 de Haas D21/369

D535,338 S * 1/2007 Linard et al. D21/369

D586,866 S * 2/2009 Hsu D21/370

1 Claim, 7 Drawing Sheets



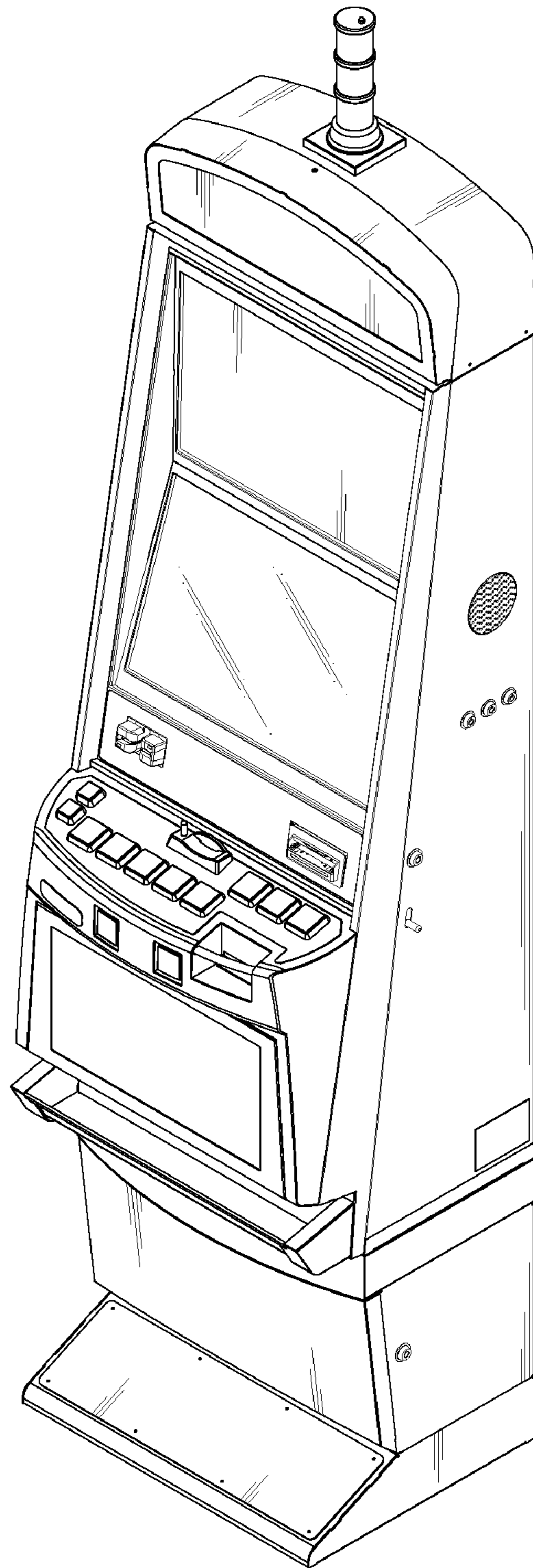


FIG. 1

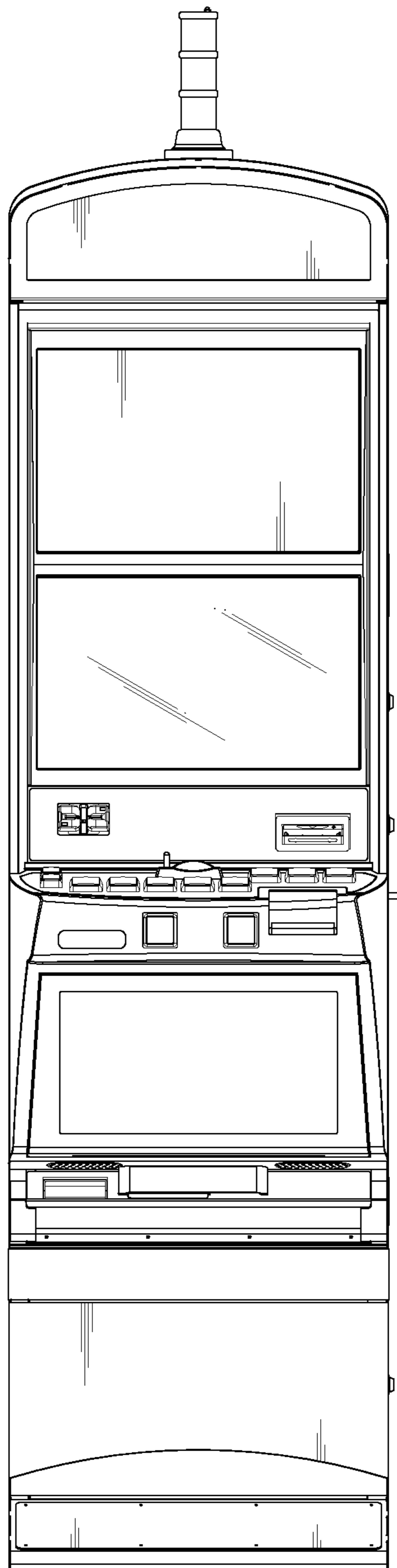


FIG. 2

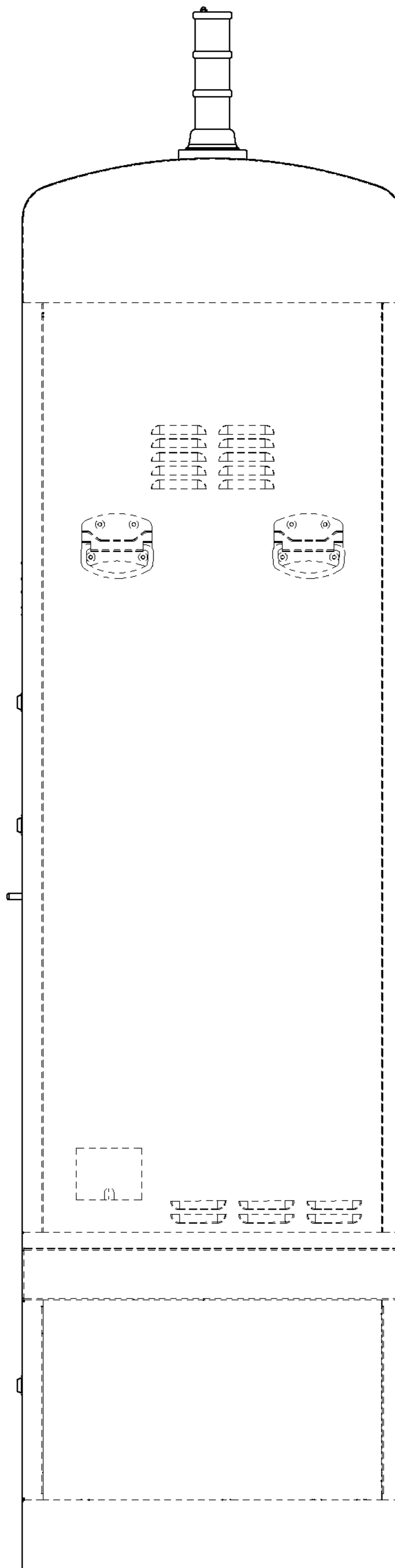


FIG. 3

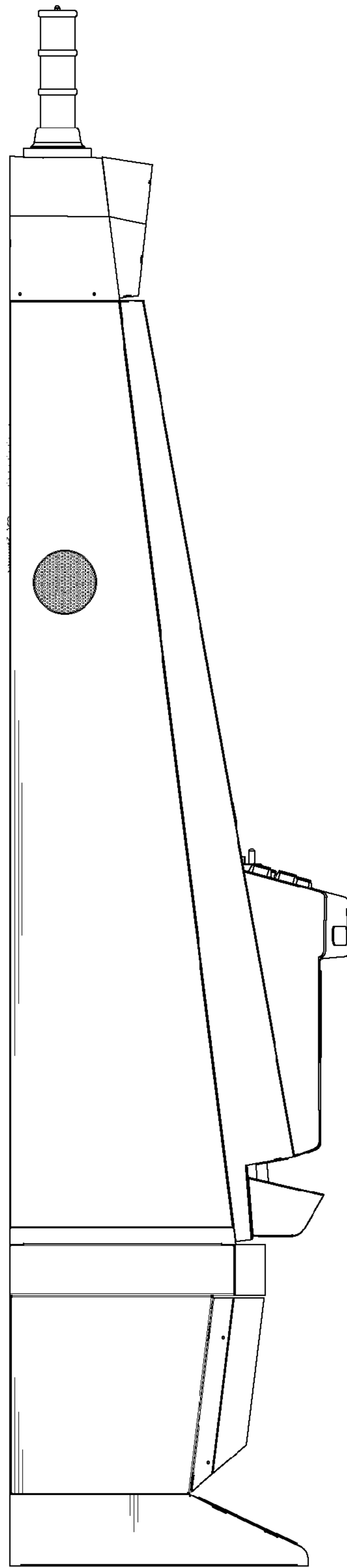


FIG. 4

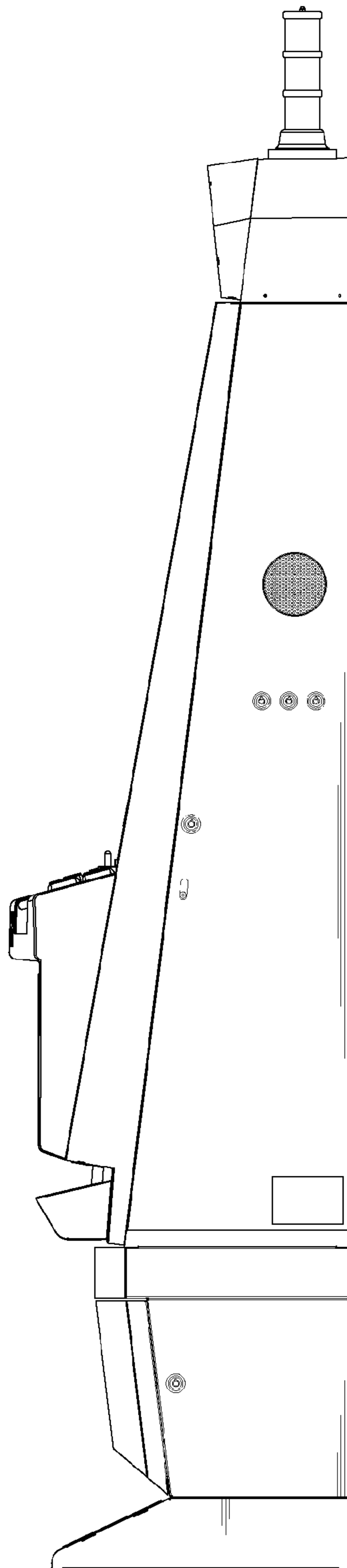


FIG. 5

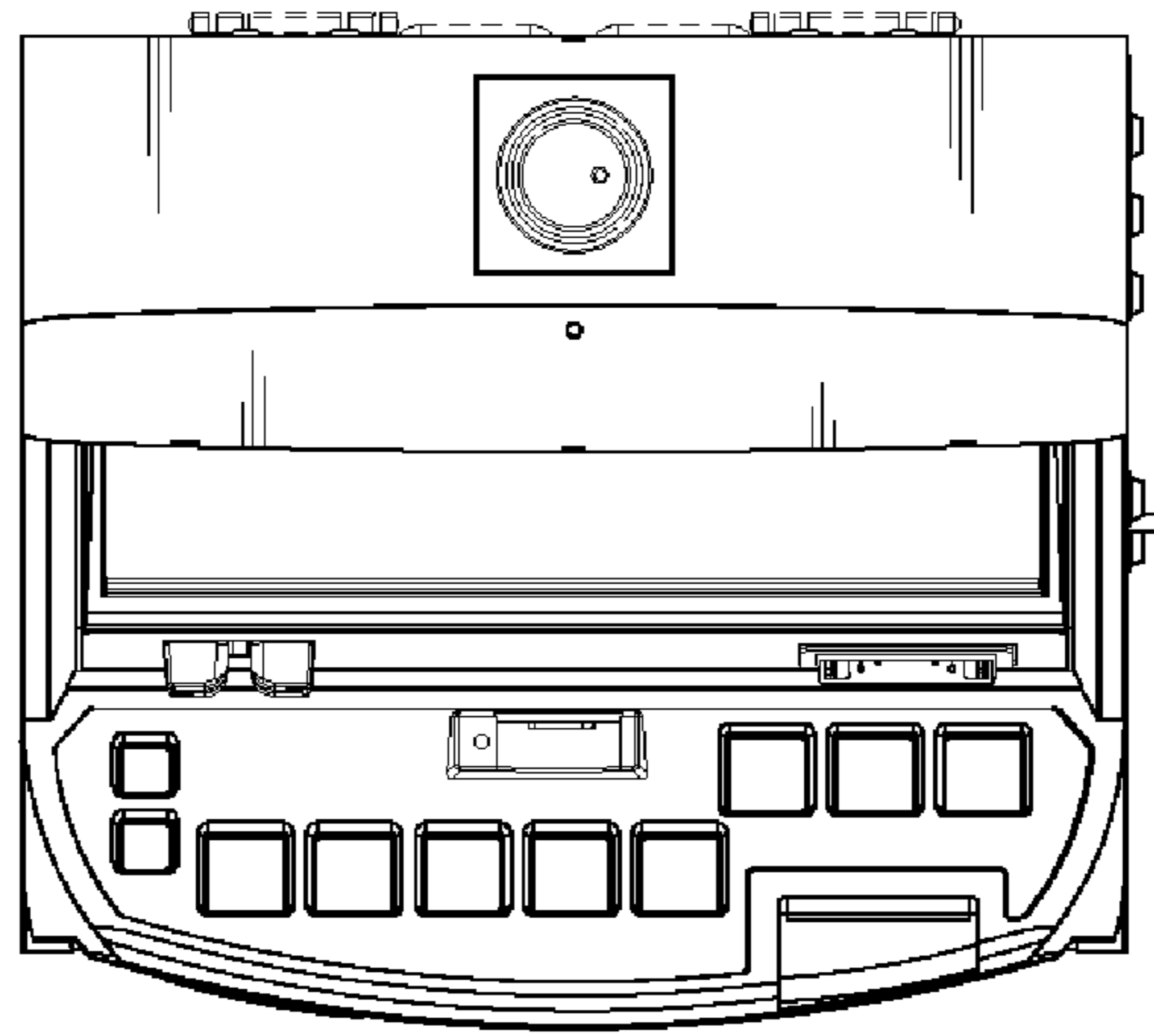


FIG. 6

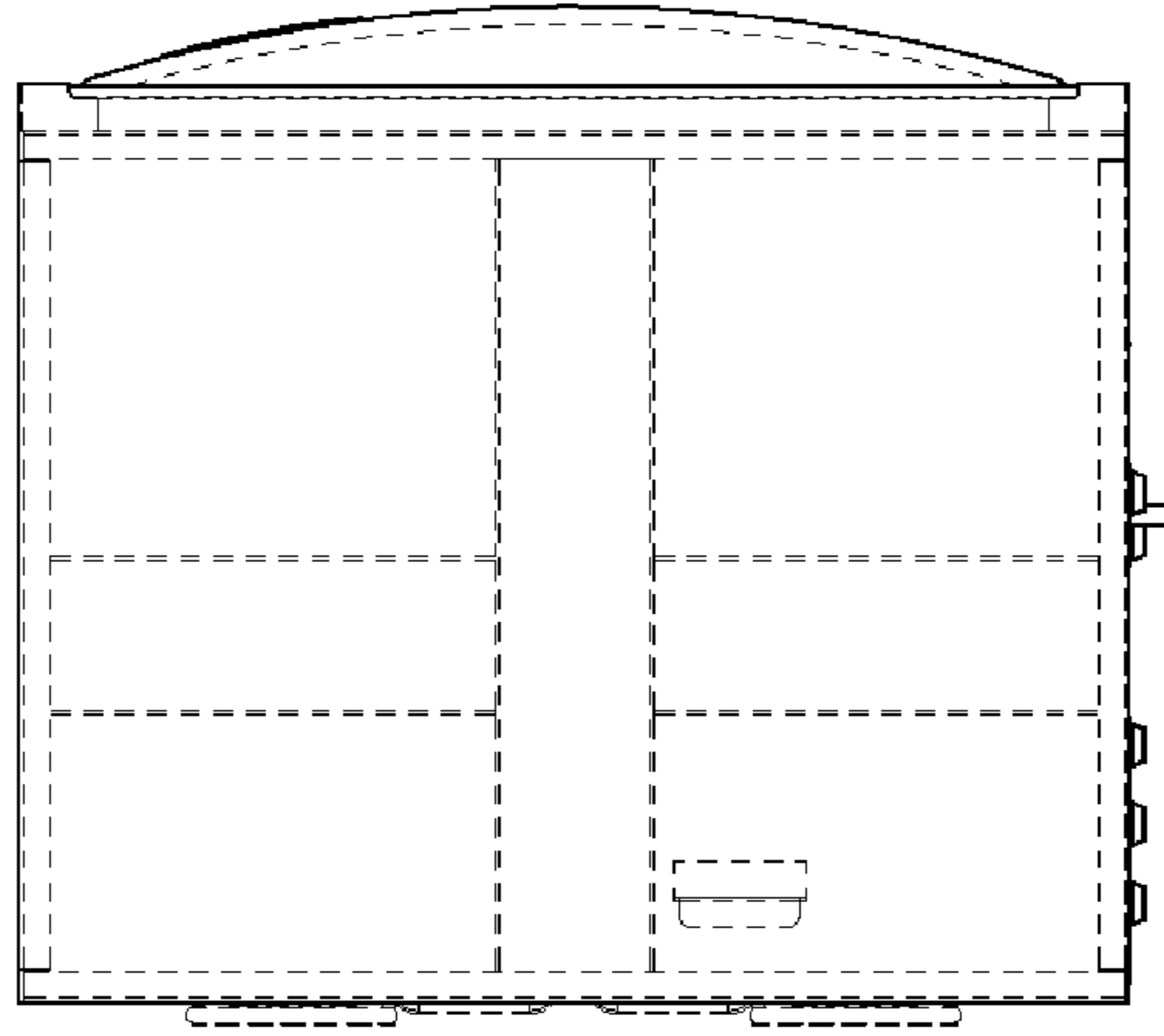


FIG. 7