



US00D632341S

(12) **United States Design Patent**
Lim et al.

(10) **Patent No.:** **US D632,341 S**
(45) **Date of Patent:** **** Feb. 8, 2011**

(54) **PORTABLE GAME DEVICE COVER**

(75) Inventors: **Wai-Loong Lim**, San Francisco, CA (US); **George H. F. Schnakenberg, III**, San Francisco, CA (US); **Cendru Engstrom**, Mountain View, CA (US); **Lee Guinchard**, Mountain View, CA (US); **Stephen N. Withers**, Mountain View, CA (US)

(73) Assignee: **Activision Publishing, Inc.**, Santa Monica, CA (US)

(**) Term: **14 Years**

(21) Appl. No.: **29/368,279**

(22) Filed: **Aug. 20, 2010**

Related U.S. Application Data

(62) Division of application No. 29/339,636, filed on Jul. 2, 2009, now Pat. No. Des. 624,129.

(51) **LOC (9) Cl.** **21-01**

(52) **U.S. Cl.** **D21/333**

(58) **Field of Classification Search** D21/324-333, D21/385, 369; D3/218; 273/148 B; 345/156-161; 463/1, 29-35, 46, 47; D14/432, 454, 496
See application file for complete search history.

(56) **References Cited**

U.S. PATENT DOCUMENTS

5,046,739 A * 9/1991 Reichow 273/148 B
D338,053 S * 8/1993 Underhill et al. D14/454
5,645,277 A 7/1997 Cheng
6,042,478 A * 3/2000 Ng 463/44

6,153,843 A * 11/2000 Date et al. 200/339
D449,347 S * 10/2001 Christianson D21/329
D461,850 S 8/2002 Hussaini et al.
D494,634 S 8/2004 Soga
6,865,076 B2 * 3/2005 Lunsford 361/679.56
RE39,409 E 11/2006 Sternberg et al.
7,193,165 B2 3/2007 Kawanobe et al.
D542,855 S * 5/2007 Lim D21/333
D555,667 S 11/2007 Hussaini et al.
D574,383 S 8/2008 Maruyama et al.
D587,695 S 3/2009 Leng et al.
7,499,284 B2 3/2009 Kawanobe et al.
D598,502 S 8/2009 Bonnaud
2008/0268963 A1 10/2008 Deutchman

* cited by examiner

Primary Examiner—Prabhakar Deshmukh

(74) *Attorney, Agent, or Firm*—Klein, O’Neill & Singh, LLP

(57) **CLAIM**

The ornamental design for a portable game device cover, as shown and described.

DESCRIPTION

FIG. 1 is a front perspective view of a second embodiment of a portable game device cover, embodying our new design;

FIG. 2 is a top plan view thereof;

FIG. 3 is a front plan view thereof;

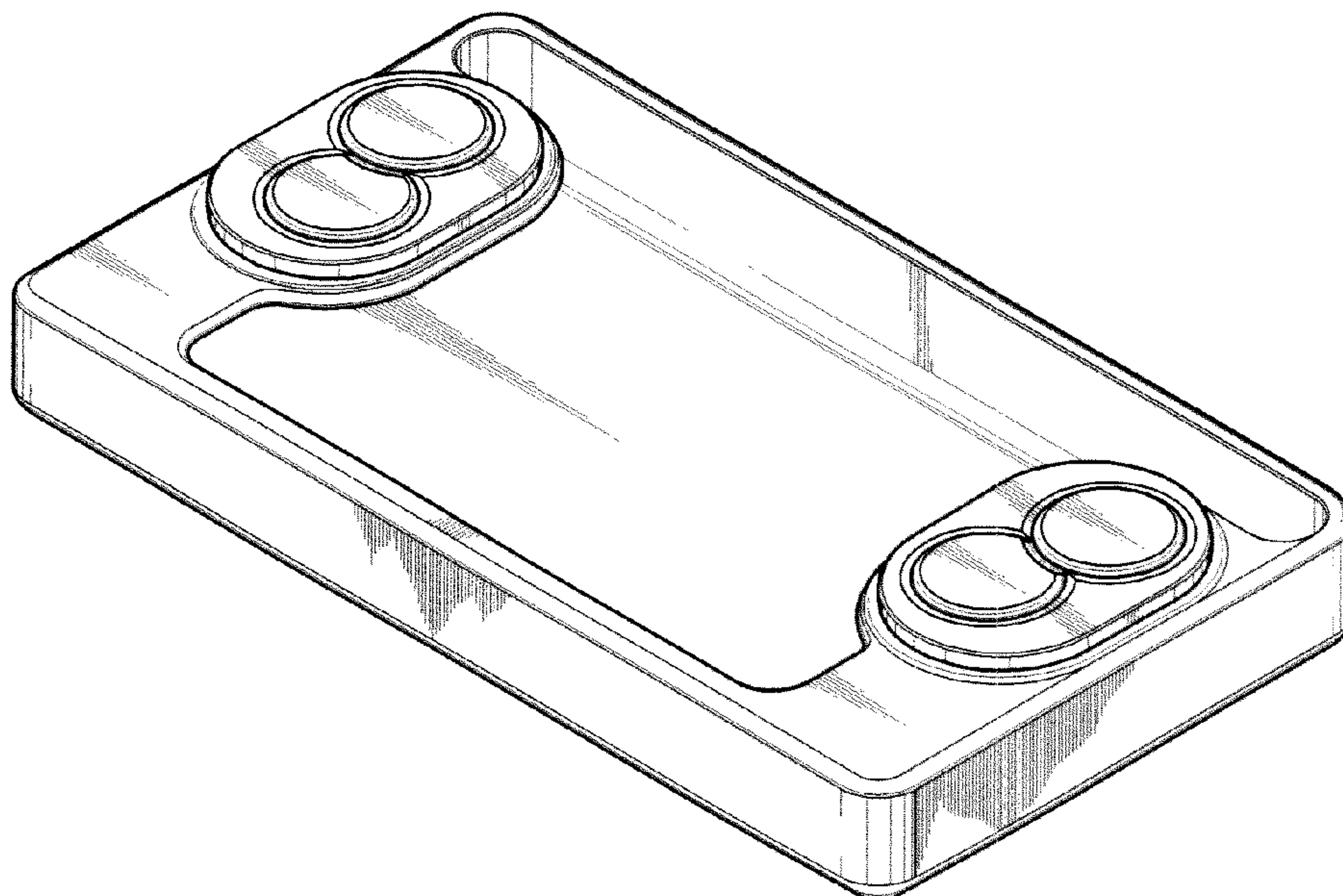
FIG. 4 is a back plan view thereof, with the opposing side being a mirror image;

FIG. 5 is a right side plan view thereof;

FIG. 6 is a left side plan view thereof; and,

FIG. 7 is a bottom plan view thereof.

1 Claim, 2 Drawing Sheets



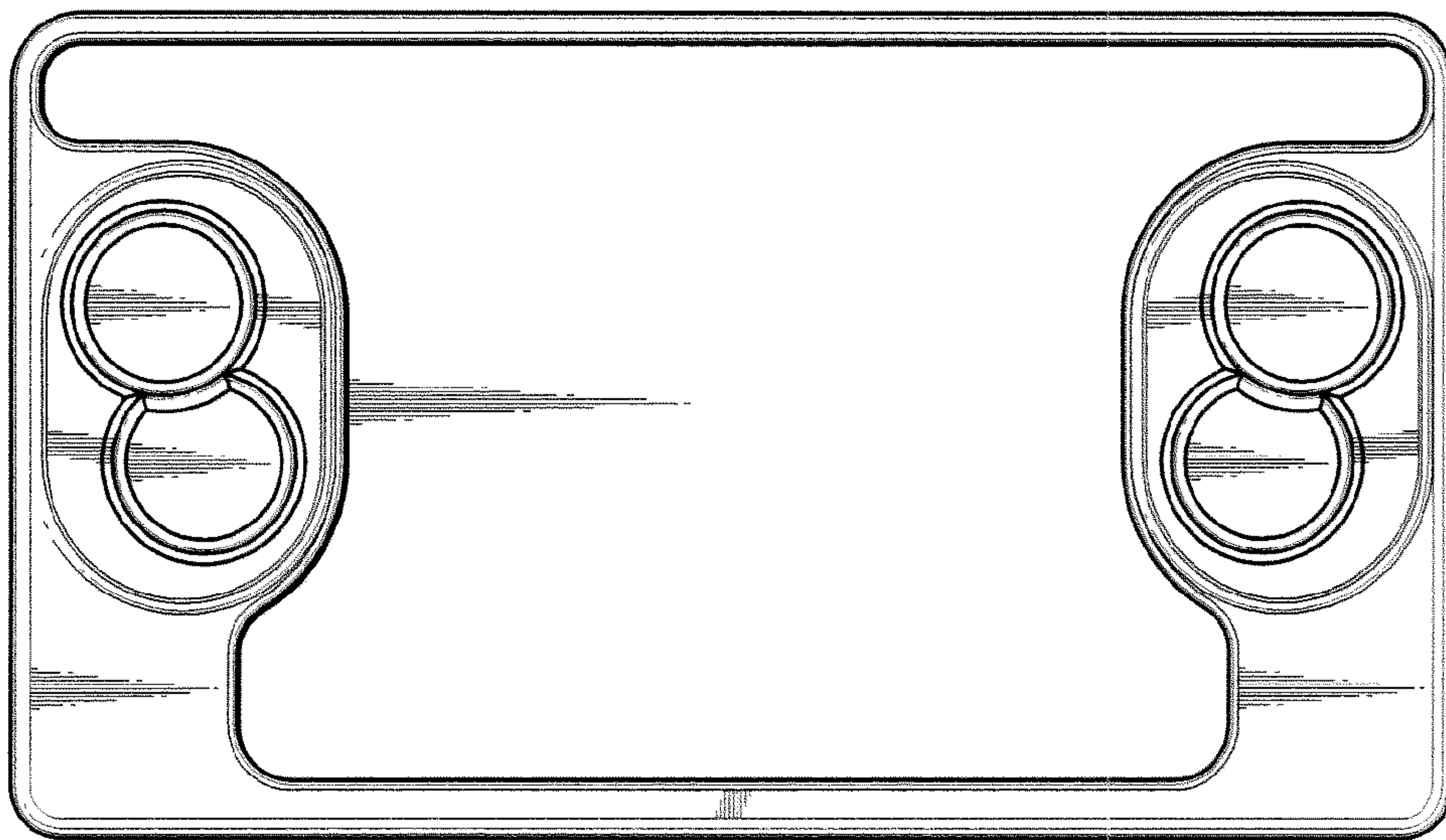
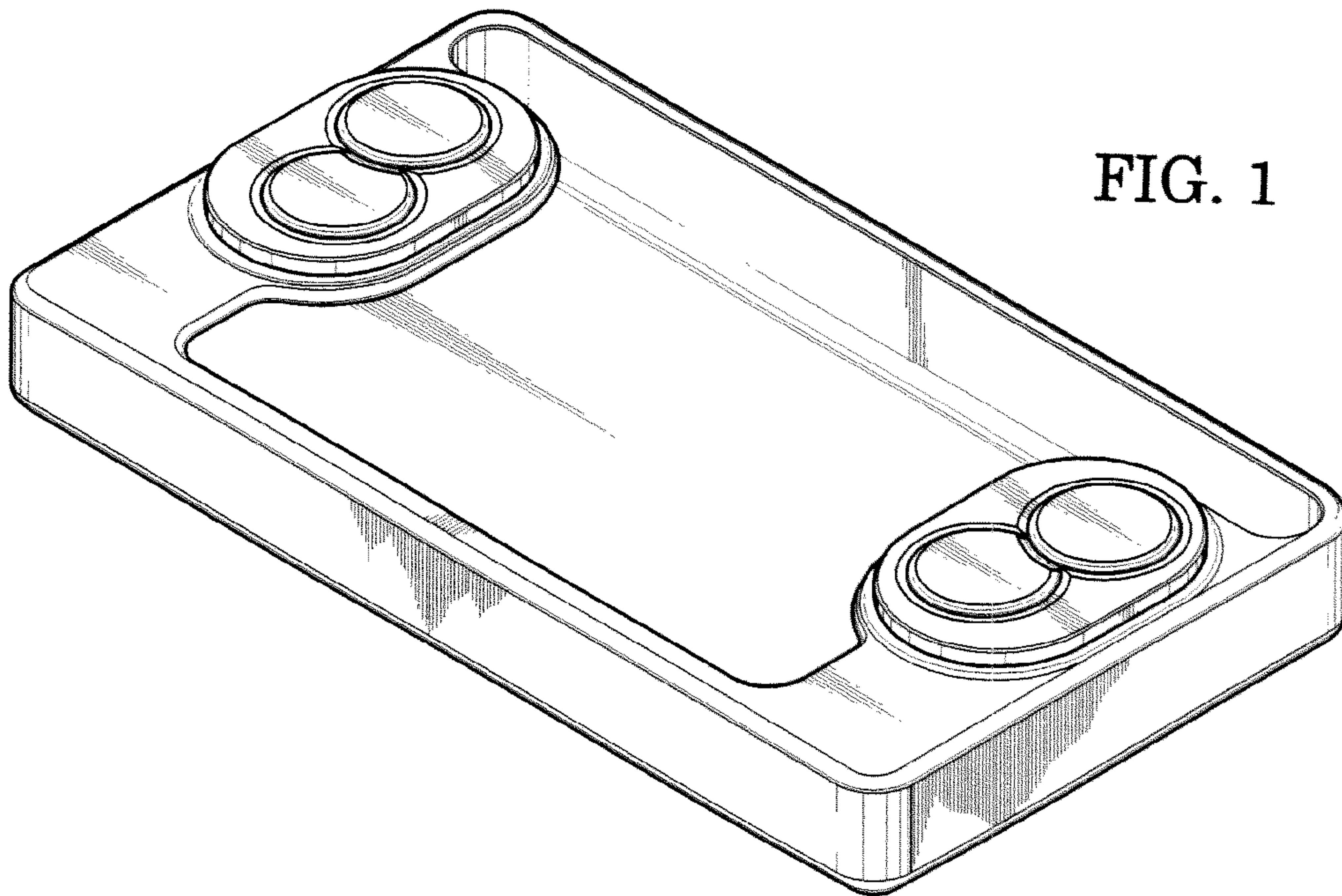


FIG. 2

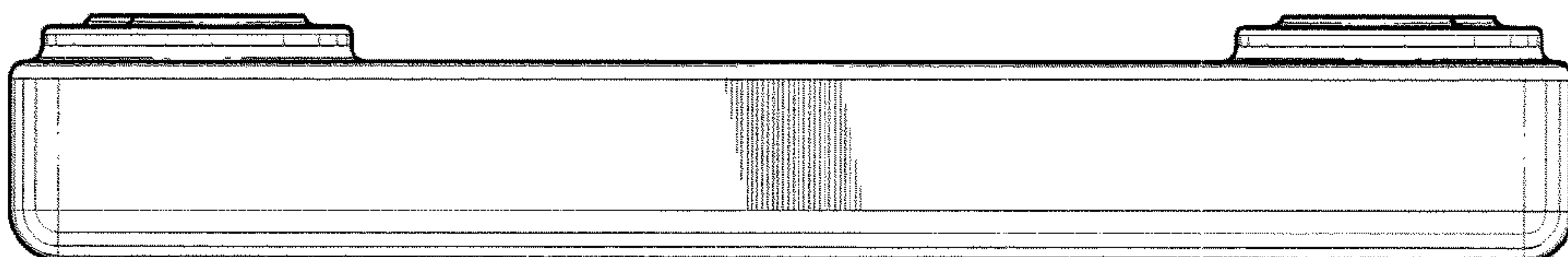


FIG. 3

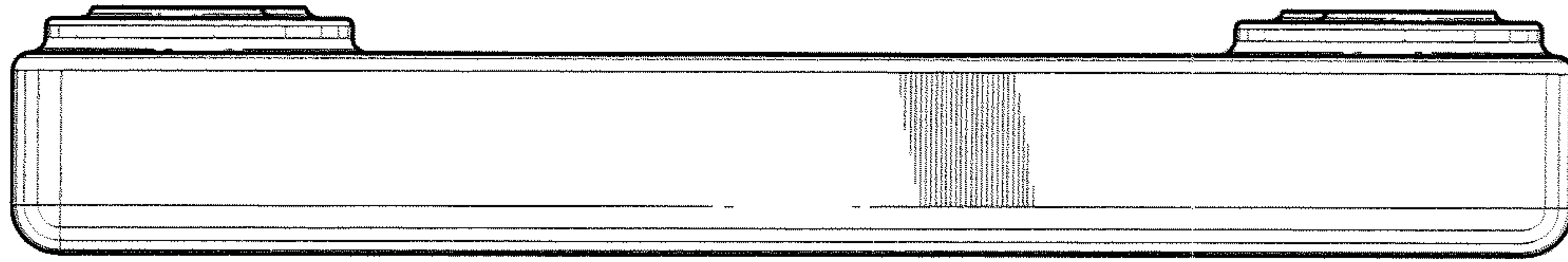


FIG. 4

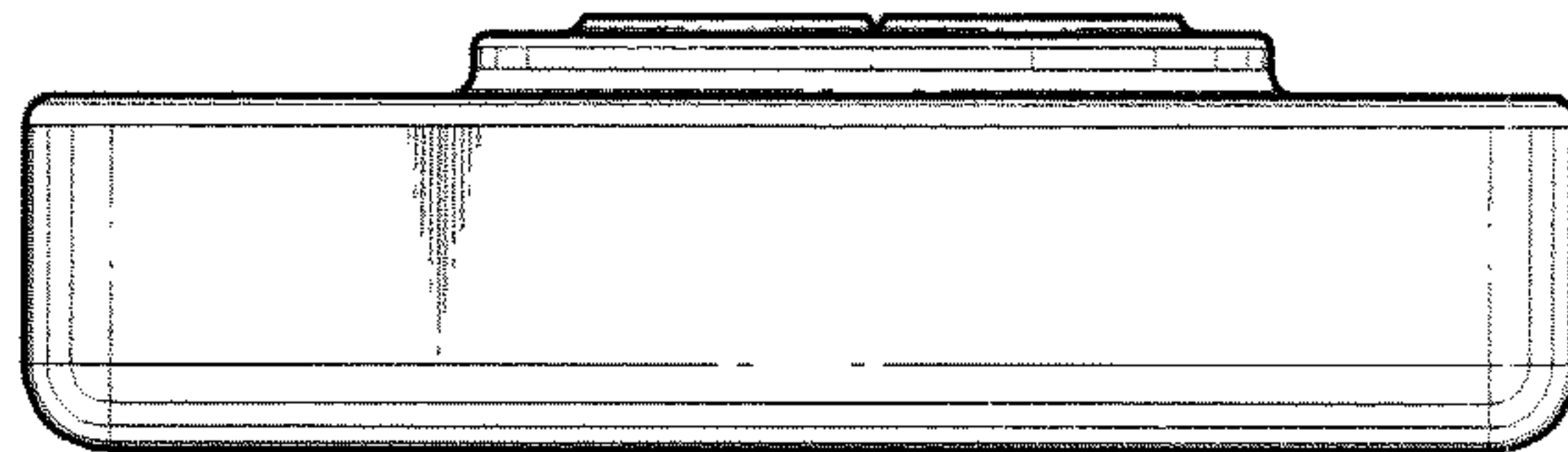


FIG. 5

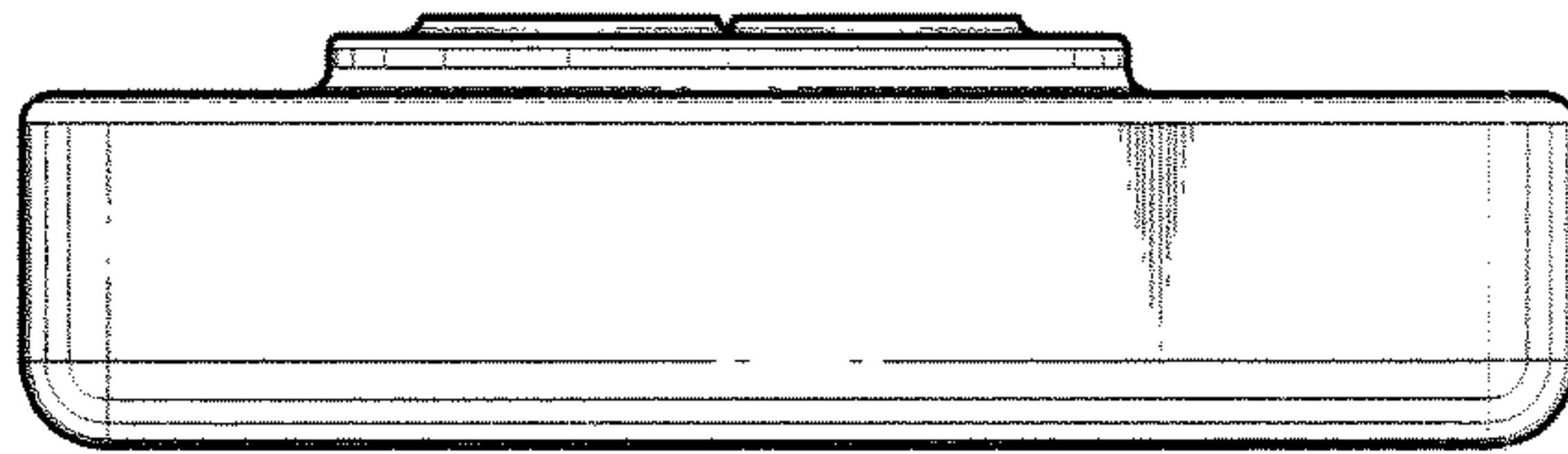


FIG. 6

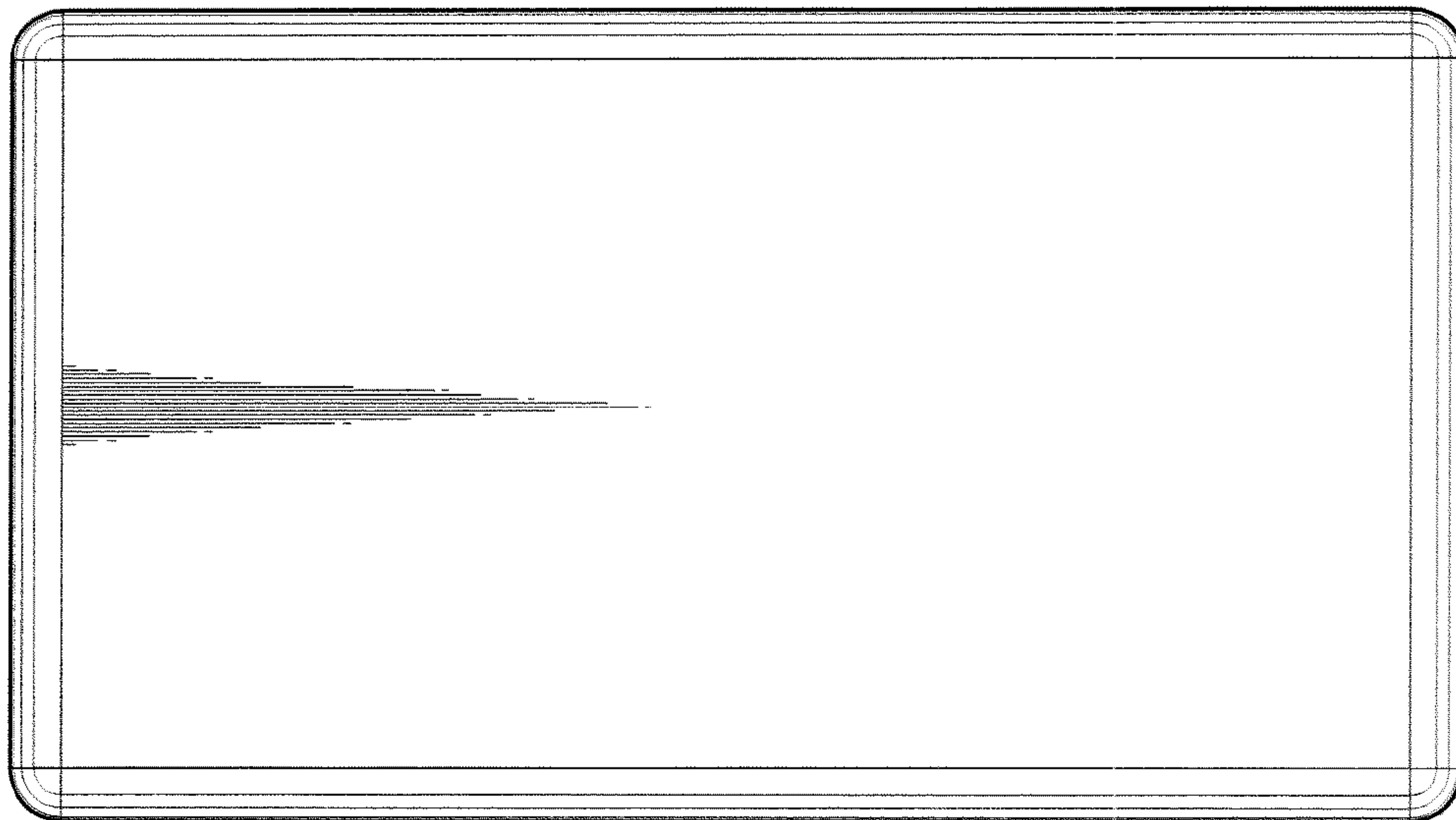


FIG. 7