



US00D632329S

(12) **United States Design Patent**  
**Thaler et al.**

(10) **Patent No.:** **US D632,329 S**

(45) **Date of Patent:** **\*\* Feb. 8, 2011**

(54) **LABEL PRINTER**

(75) Inventors: **Jullien Thaler**, Le Pré Saint Gervais (FR); **Sebastien Leridon**, Paris (FR); **Marie Kellou**, Paris (FR)

(73) Assignee: **Dymo**, Sint-Niklaas (BE)

(\*\*) Term: **14 Years**

(21) Appl. No.: **29/351,800**

(22) Filed: **Dec. 11, 2009**

(30) **Foreign Application Priority Data**

Jun. 12, 2009 (EM) ..... 001146542

(51) **LOC (9) Cl.** ..... **19-08**

(52) **U.S. Cl.** ..... **D18/19; D14/426**

(58) **Field of Classification Search** ..... D18/15-19, D18/50, 7; 400/462-470, 613.1-613.4; 156/384, 156/DIG. 48, DIG. 49; D19/68; 101/109, 101/328, 329, 375; D14/426, 347, 346  
See application file for complete search history.

(56) **References Cited**

**U.S. PATENT DOCUMENTS**

4,696,591 A \* 9/1987 Boyden ..... 400/613.2  
D363,082 S \* 10/1995 Watanabe et al. .... D18/19  
D444,494 S \* 7/2001 Shimoki et al. .... D18/19  
6,491,460 B1 \* 12/2002 Sodeyama et al. .... 400/613.1  
D477,629 S \* 7/2003 Hattori et al. .... D18/19  
D485,838 S \* 1/2004 Wilson et al. .... D14/346

D490,842 S \* 6/2004 Kamiya et al. .... D18/19  
D525,648 S \* 7/2006 Hattori ..... D18/19  
D552,668 S \* 10/2007 Hattori ..... D18/19  
D567,281 S \* 4/2008 Hattori ..... D18/19  
D595,290 S \* 6/2009 Takemasa ..... D14/346  
D601,182 S \* 9/2009 Mita et al. .... D18/19  
D601,619 S \* 10/2009 Hattori ..... D18/19

\* cited by examiner

*Primary Examiner*—Charles A Rademaker

(74) *Attorney, Agent, or Firm*—Marshall, Gerstein & Borun LLP

(57) **CLAIM**

The ornamental design for a label printer, as shown and described.

**DESCRIPTION**

FIG. 1 is a front and left side perspective view showing our new design for a label printer;

FIG. 2 is a front and right side perspective view of the label printer of FIG. 1;

FIG. 3 is a top and right side perspective view of the label printer of FIG. 1;

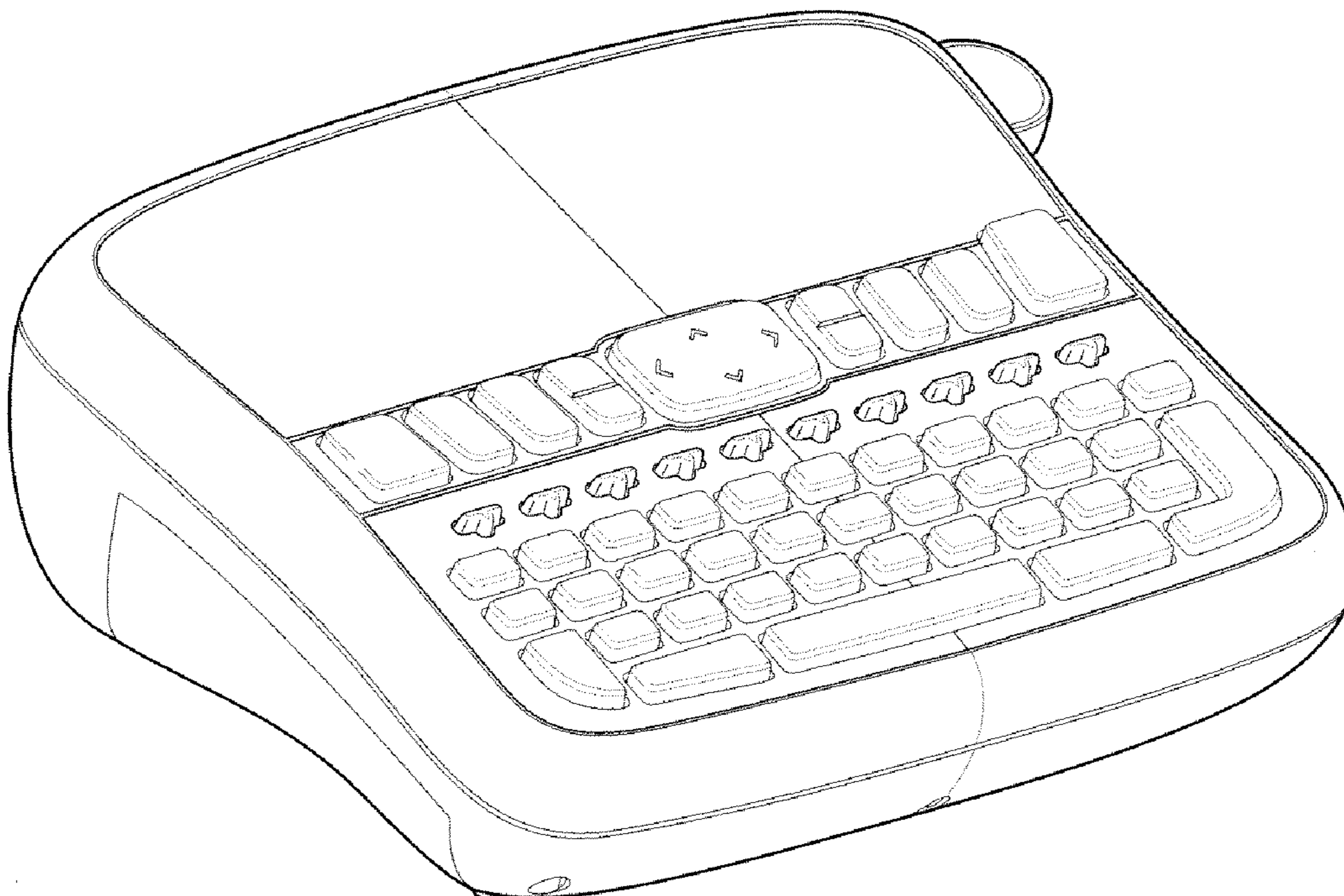
FIG. 4 is a front view of the label printer of FIG. 1;

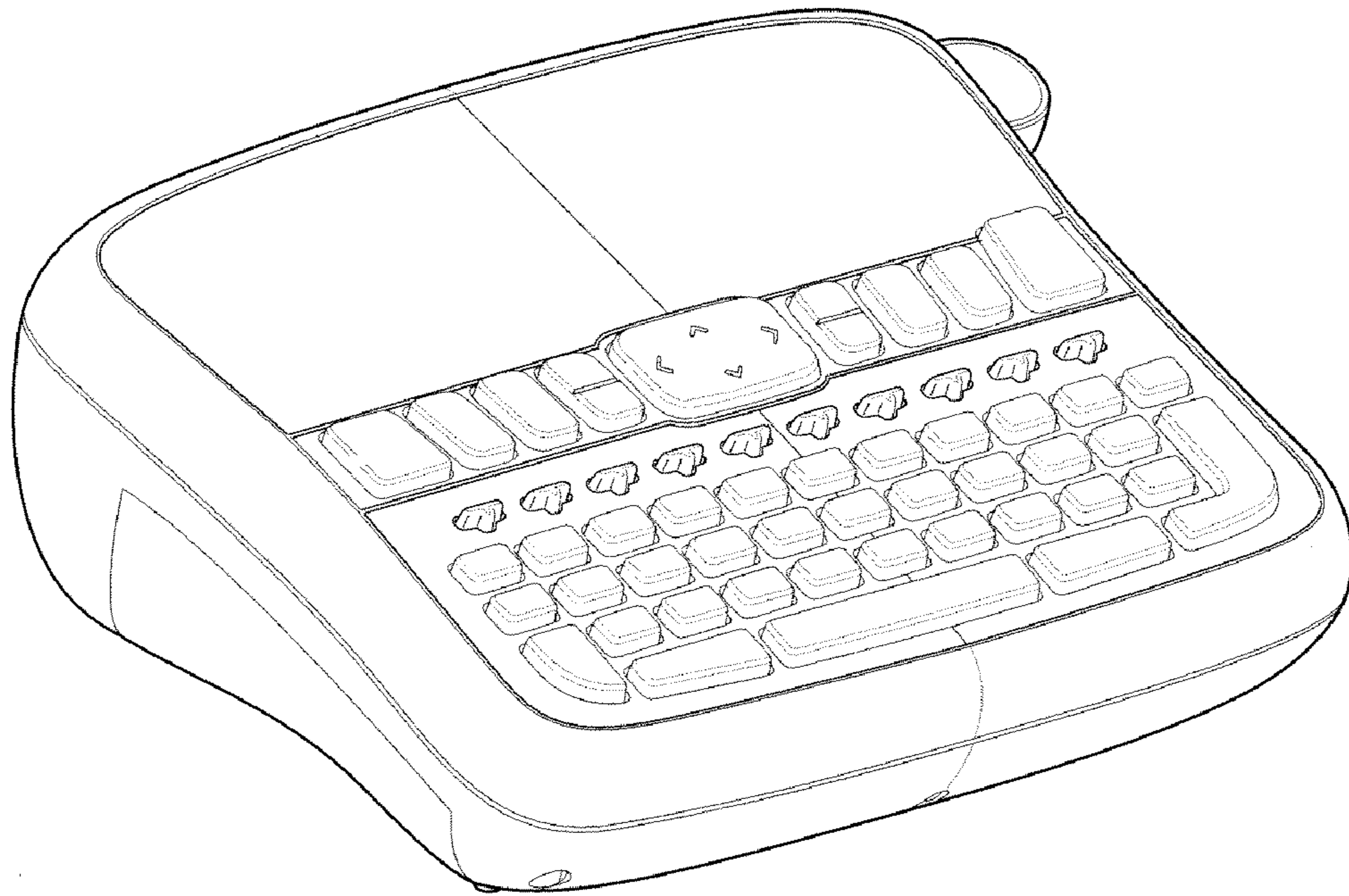
FIG. 5 is a left side view of the label printer of FIG. 1;

FIG. 6 is a right side view of the label printer of FIG. 1; and,

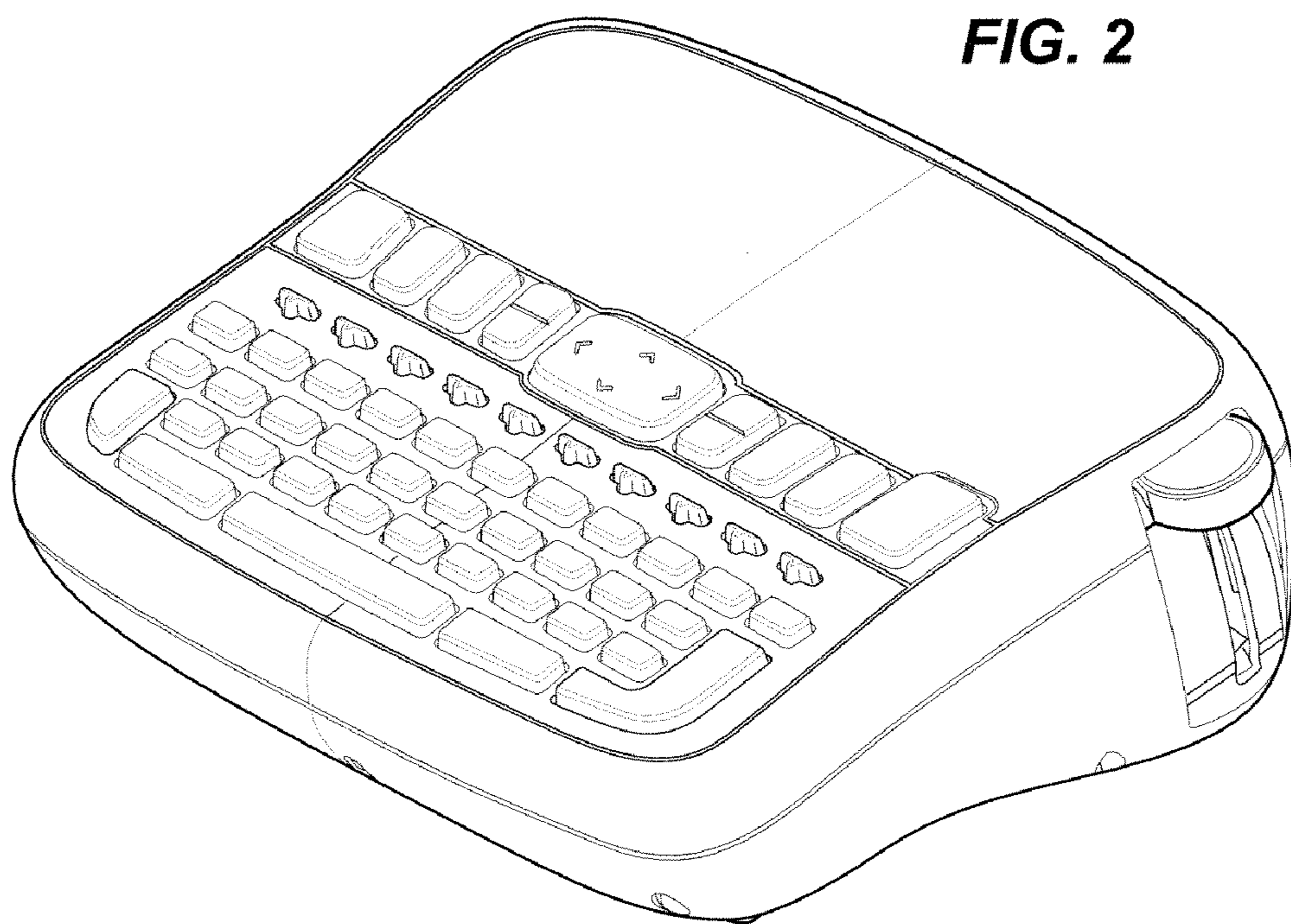
FIG. 7 is a top view of the label printer of FIG. 1.

**1 Claim, 3 Drawing Sheets**

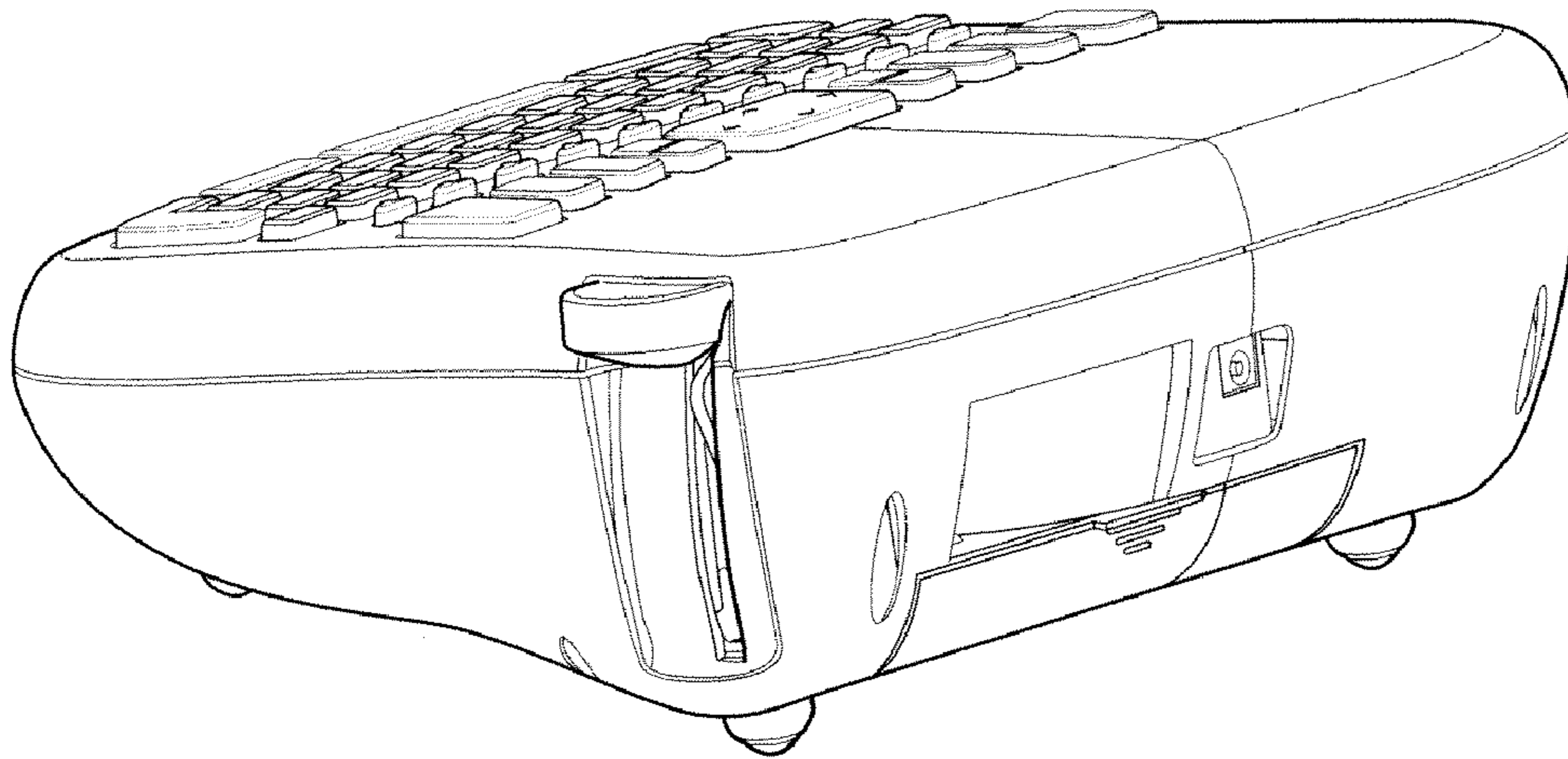




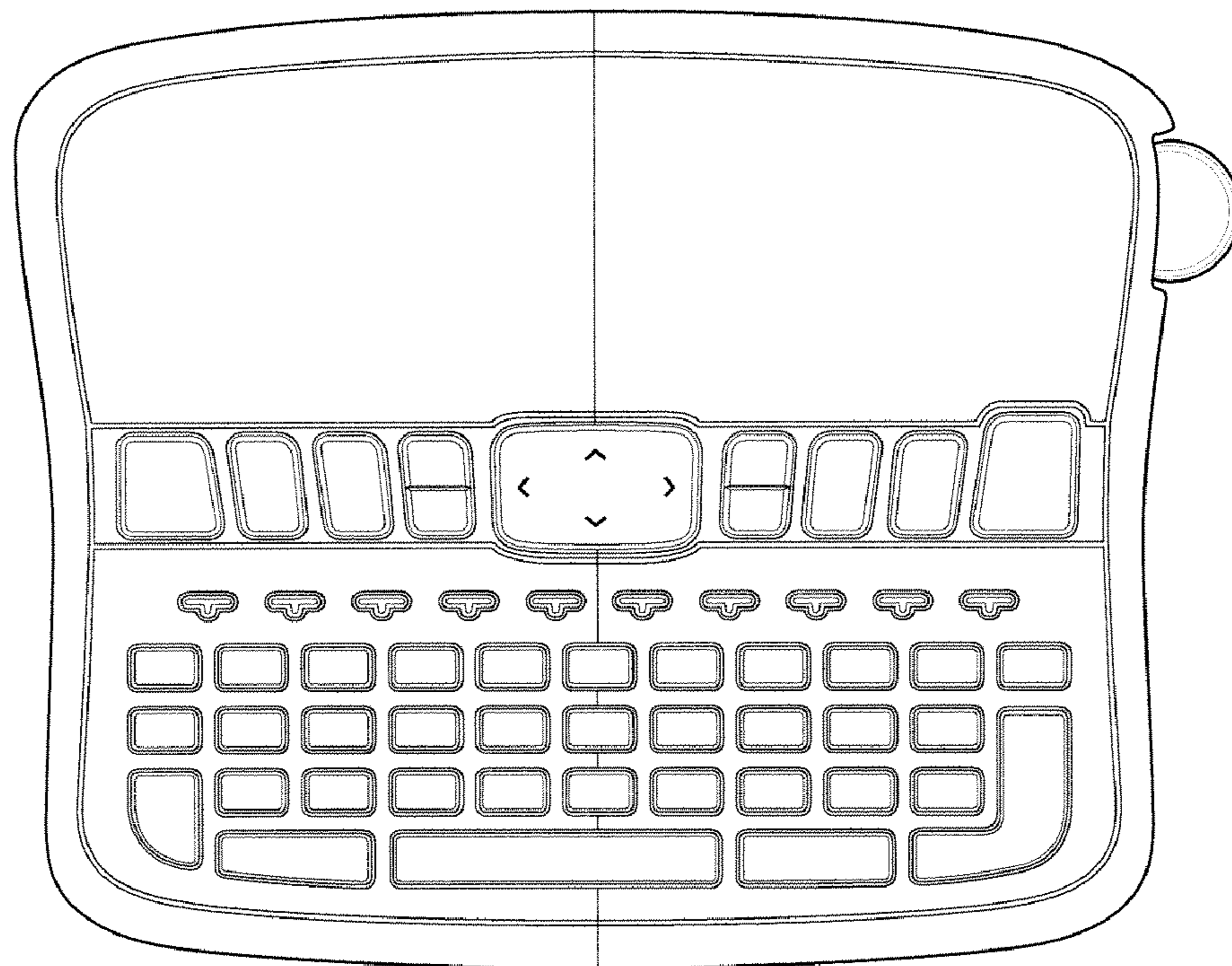
**FIG. 1**



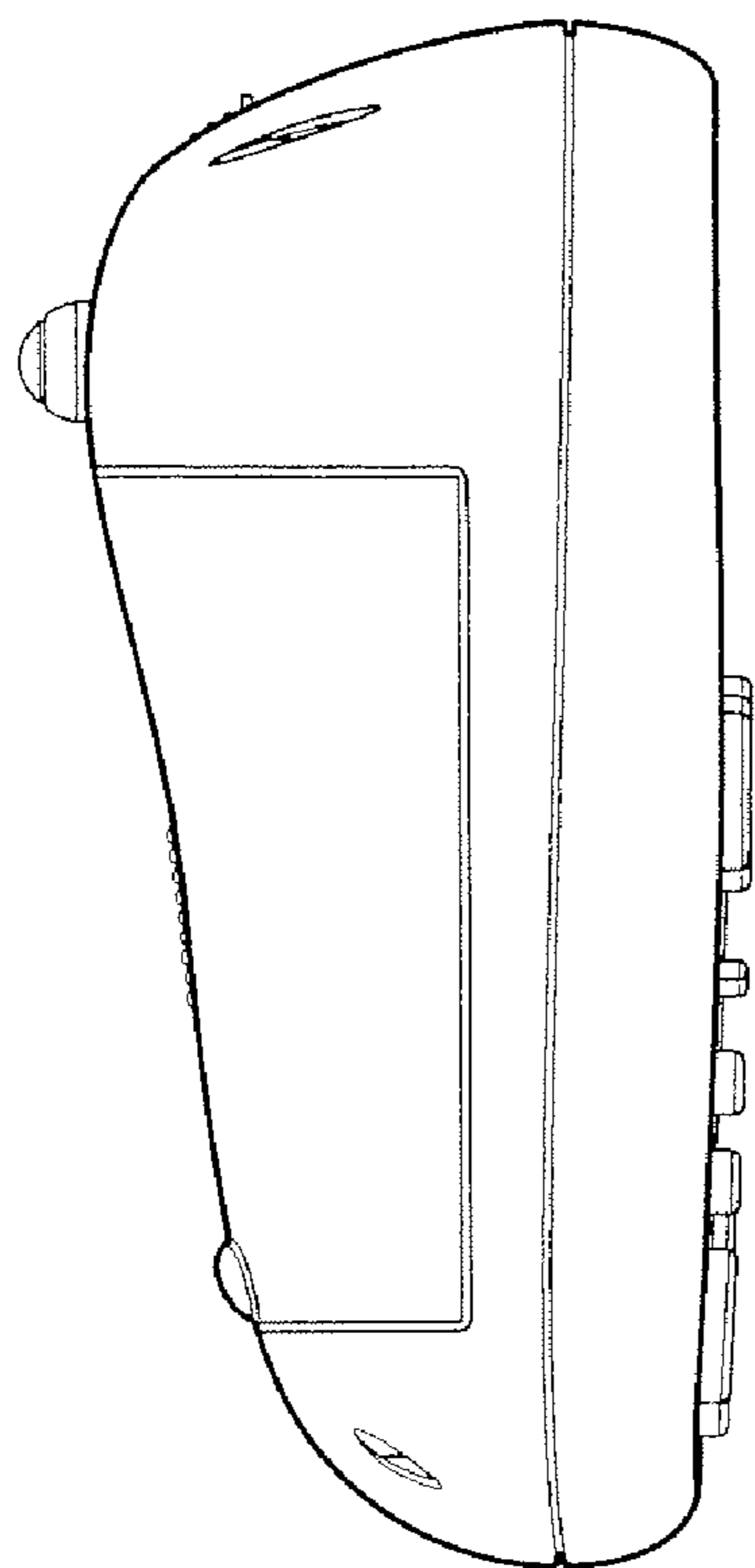
**FIG. 2**



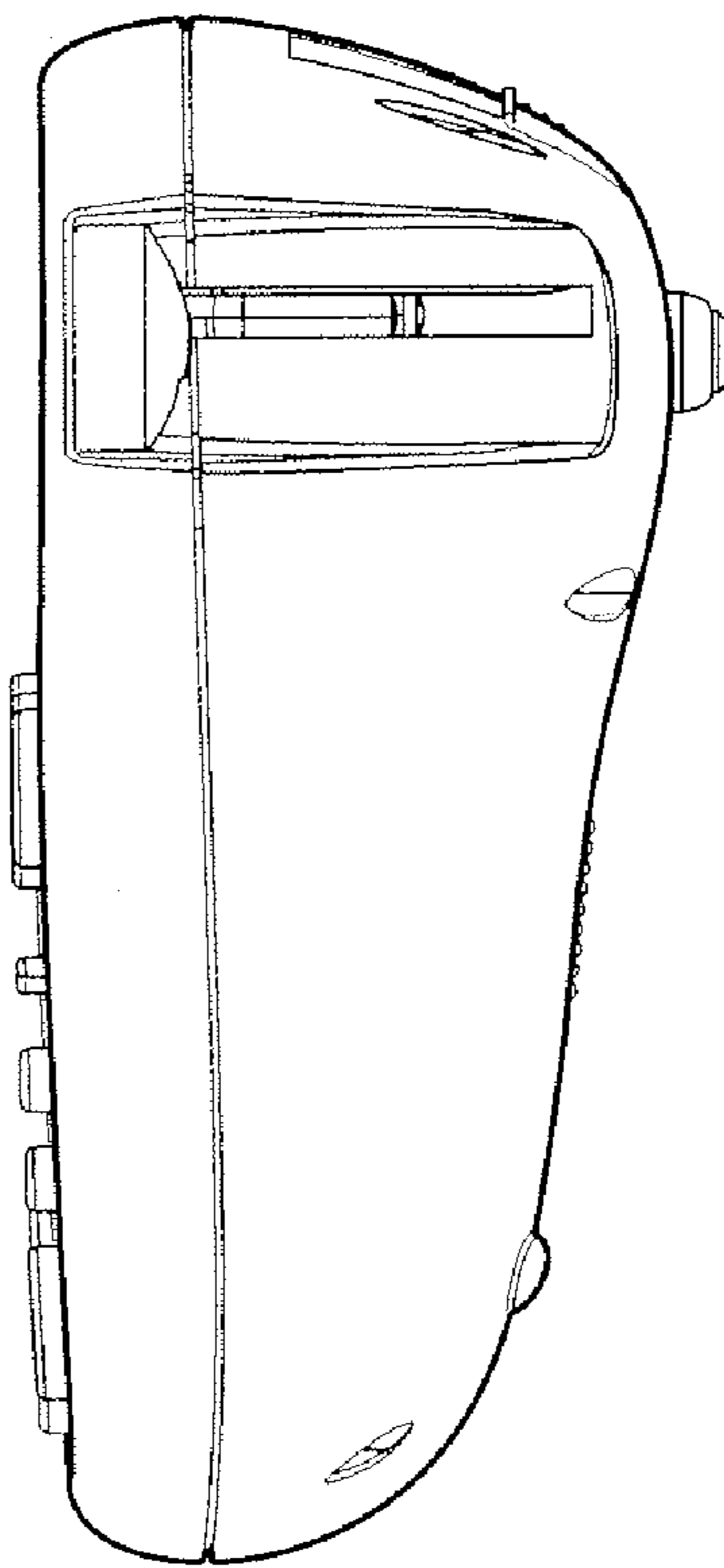
**FIG. 3**



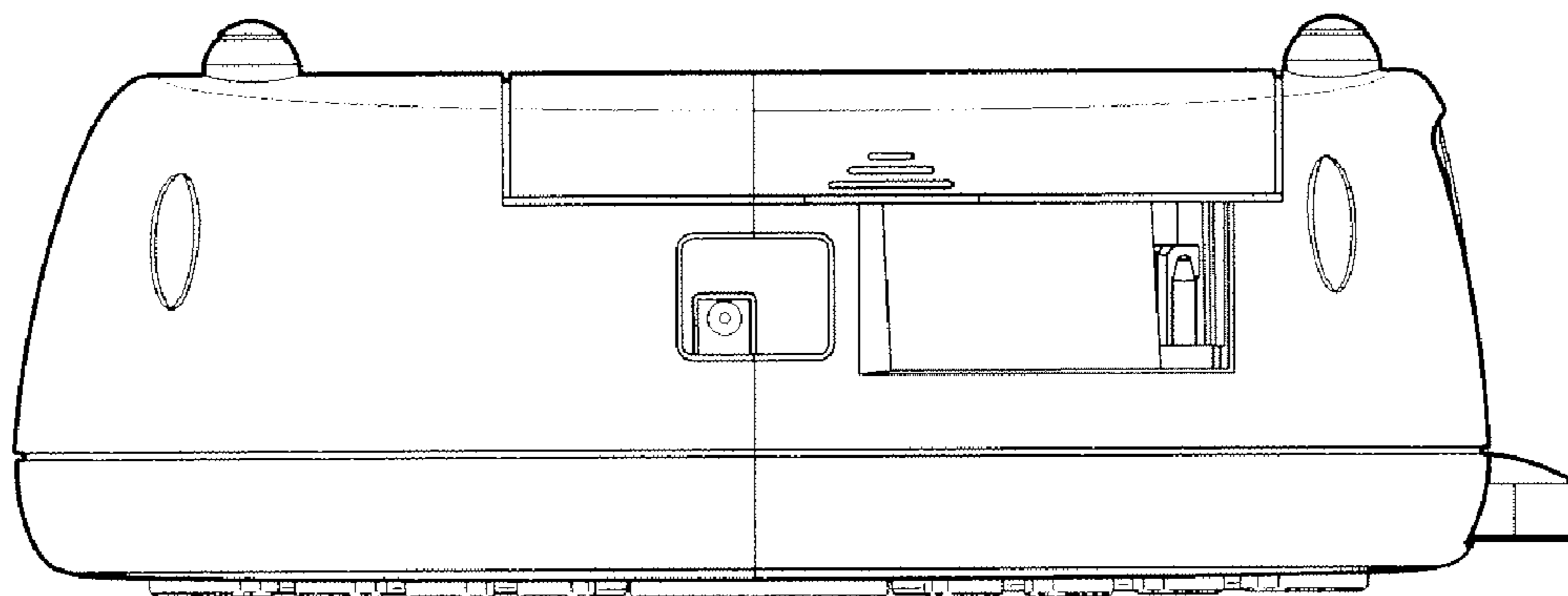
**FIG. 4**



**FIG. 5**



**FIG. 6**



**FIG. 7**