



US00D632328S

(12) **United States Design Patent**
Dahl

(10) **Patent No.:** **US D632,328 S**

(45) **Date of Patent:** **** Feb. 8, 2011**

(54) **SHELL FOR A POINT OF SALE TERMINAL**

(75) Inventor: **Oyvind Dahl**, Zug (CH)

(73) Assignee: **PointPay International AG**, Zug (CH)

(**) Term: **14 Years**

(21) Appl. No.: **29/359,022**

(22) Filed: **Apr. 5, 2010**

(51) **LOC (9) Cl.** **18-01**

(52) **U.S. Cl.** **D18/12**

(58) **Field of Classification Search** D14/336,
D14/371-376, 387; D18/3.1-3.3, 4.1-4.6,
D18/6-8, 11, 12, 12.1-12.3; D21/324, 329,
D21/332; D99/28, 34-36, 43; 235/1 I, 2,
235/7 R, 12, 22, 33, 51, 52; 705/12, 15-18,
705/43

See application file for complete search history.

(56) **References Cited**

U.S. PATENT DOCUMENTS

D364,386 S * 11/1995 Bramlett et al. D14/387
D414,163 S * 9/1999 Hesselbach D14/387
D502,727 S * 3/2005 Slinckx D18/4.6
D504,147 S * 4/2005 Slinckx D18/4.6

D561,243 S * 2/2008 Dahl D18/4.6

* cited by examiner

Primary Examiner—Caron Veynar

Assistant Examiner—Garth Rademaker

(74) *Attorney, Agent, or Firm*—Holland & Knight LLP; Brian J. Colandreo, Esq.; Elizabeth R. Burkhard, Esq.

(57) **CLAIM**

The ornamental design for a shell for a point of sale terminal, as shown and described.

DESCRIPTION

FIG. 1 is front perspective view of a shell for a point of sale terminal;

FIG. 2 is front elevational view thereof;

FIG. 3 is a rear elevational view thereof;

FIG. 4 is a left side elevational view thereof;

FIG. 5 is a right side elevational view thereof;

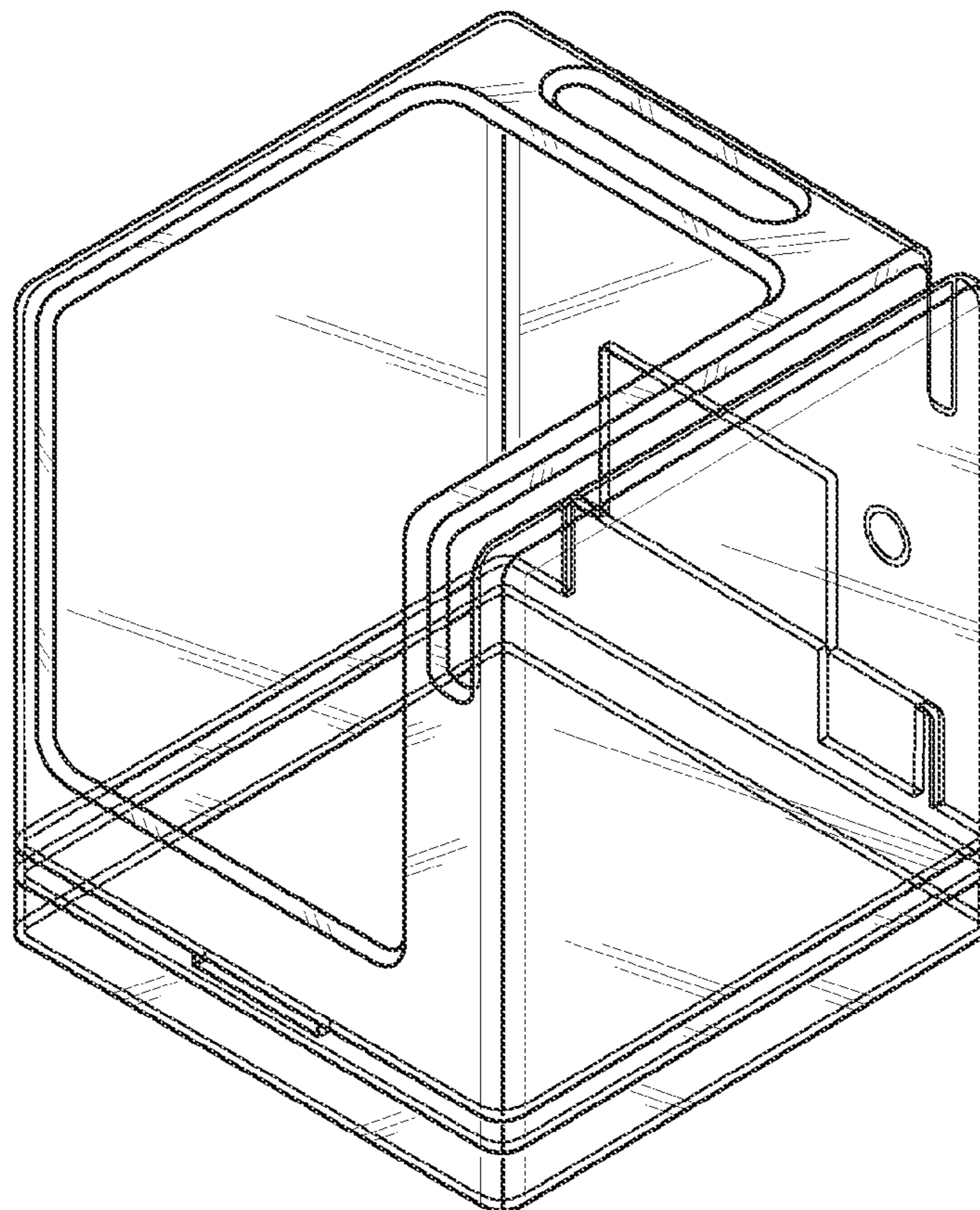
FIG. 6 is a top plan view thereof;

FIG. 7 is bottom plan view thereof;

FIG. 8 is an exploded top, front perspective view thereof; and,

FIG. 9 is an exploded bottom, rear perspective view thereof.

1 Claim, 6 Drawing Sheets



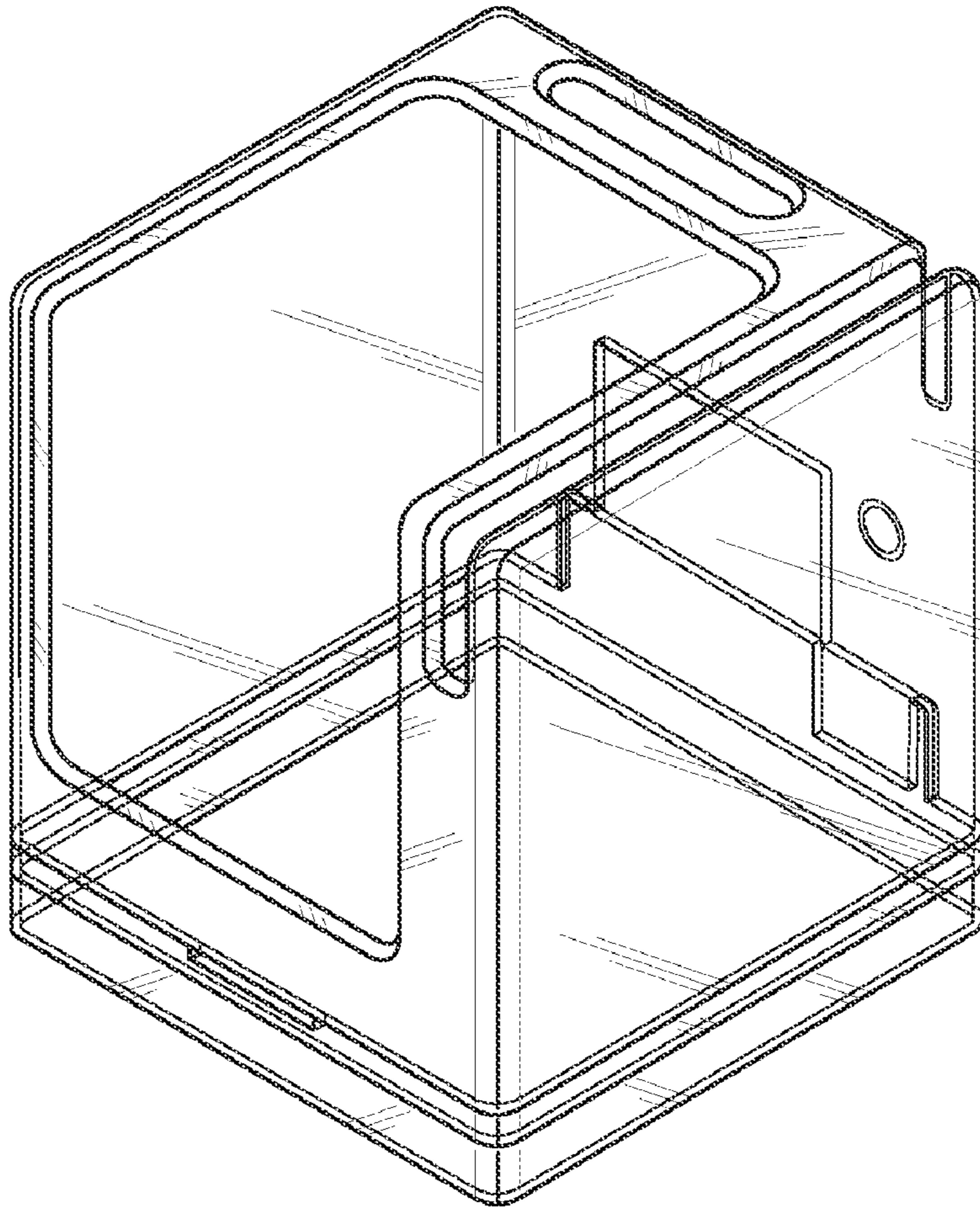


FIG. 1

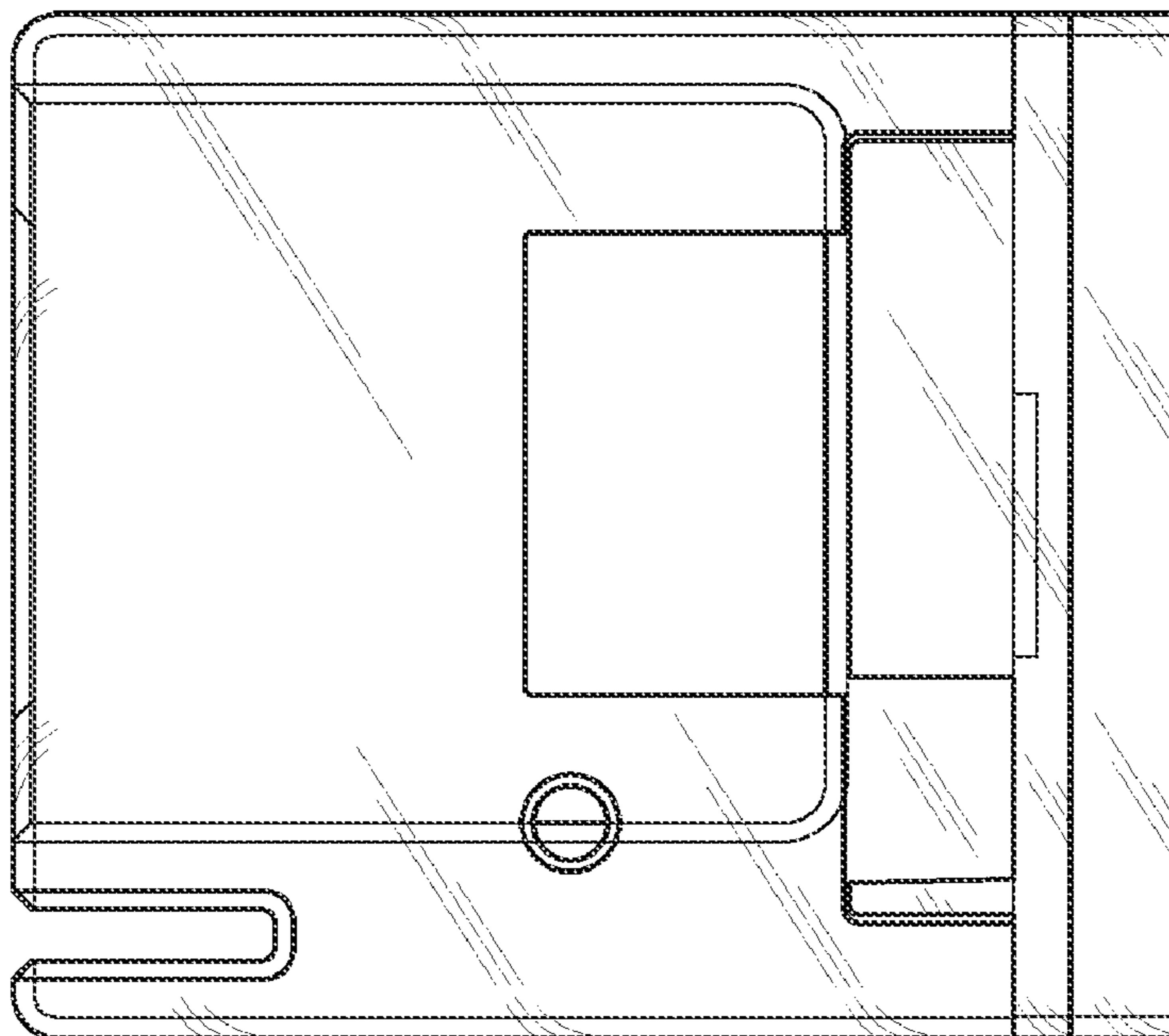


FIG. 3

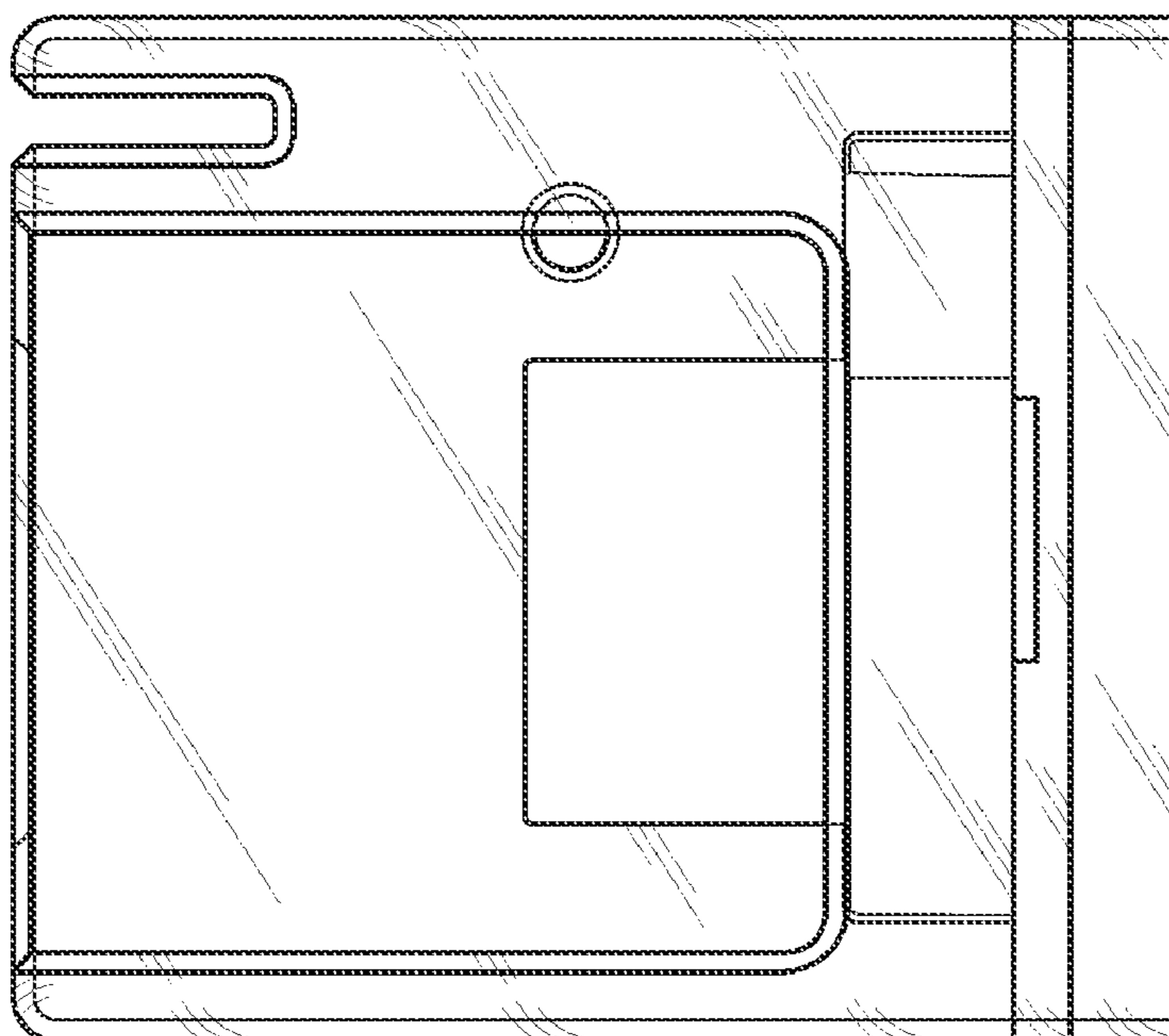


FIG. 2

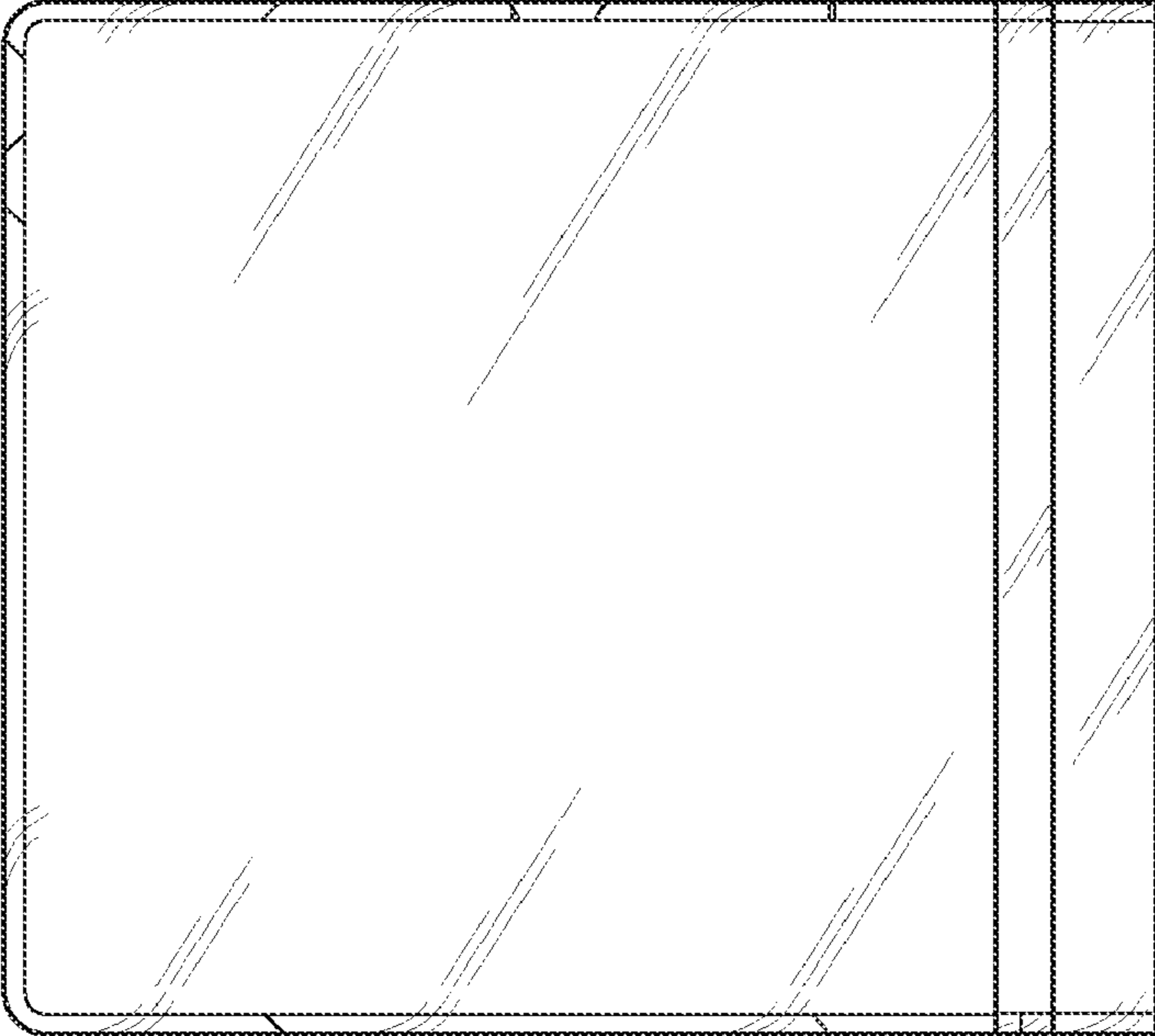


FIG. 5

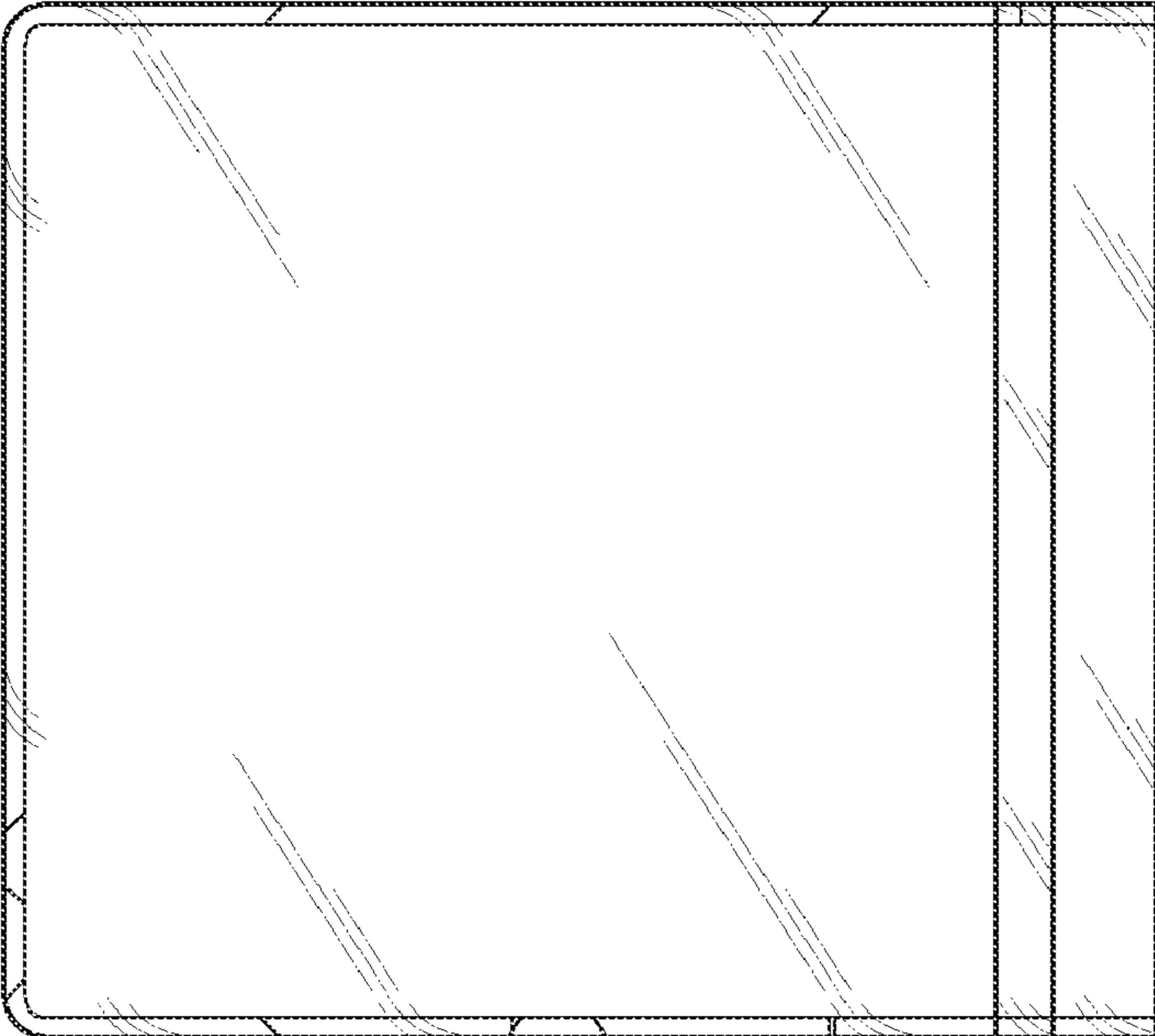


FIG. 4

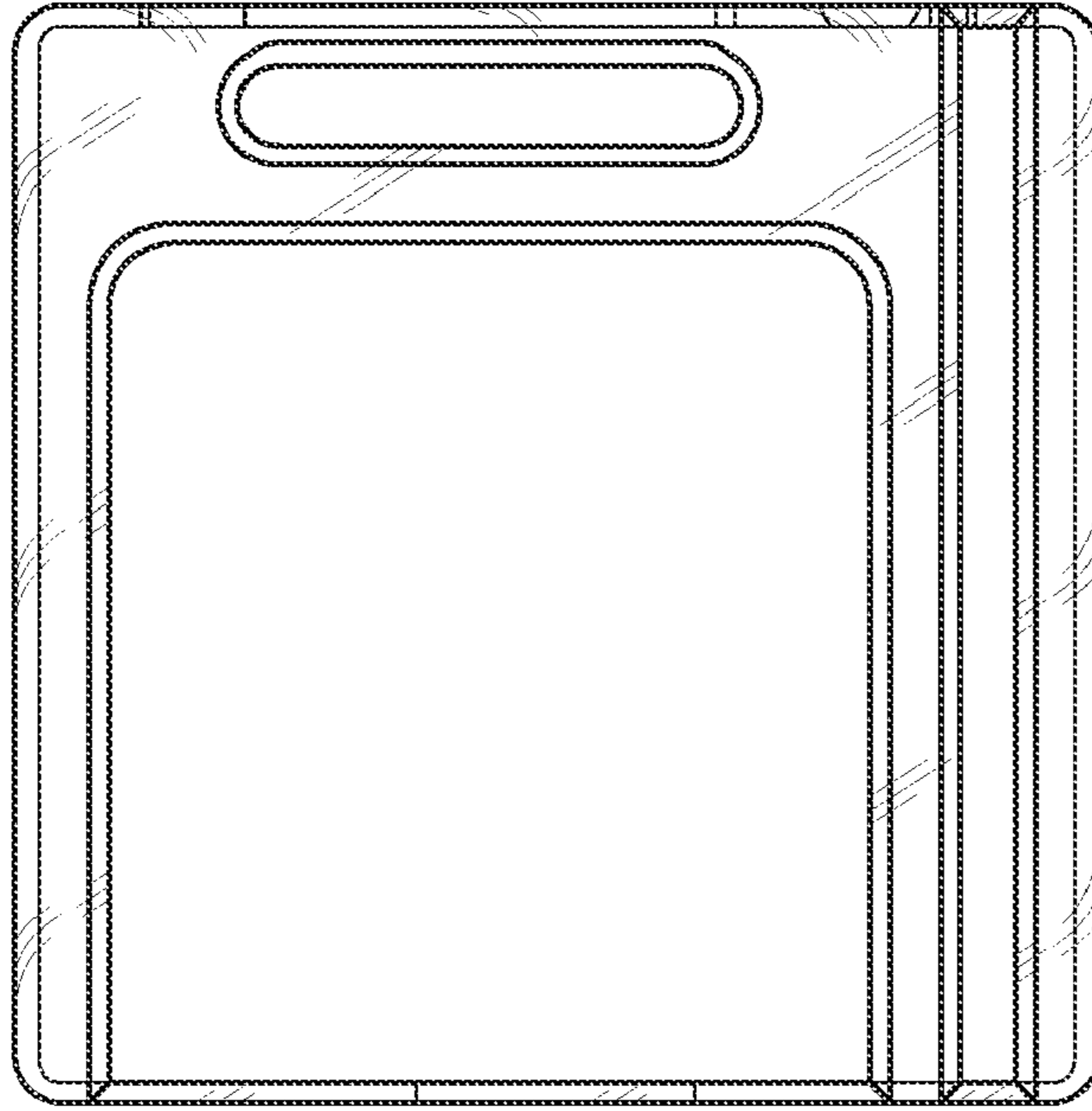


FIG. 6

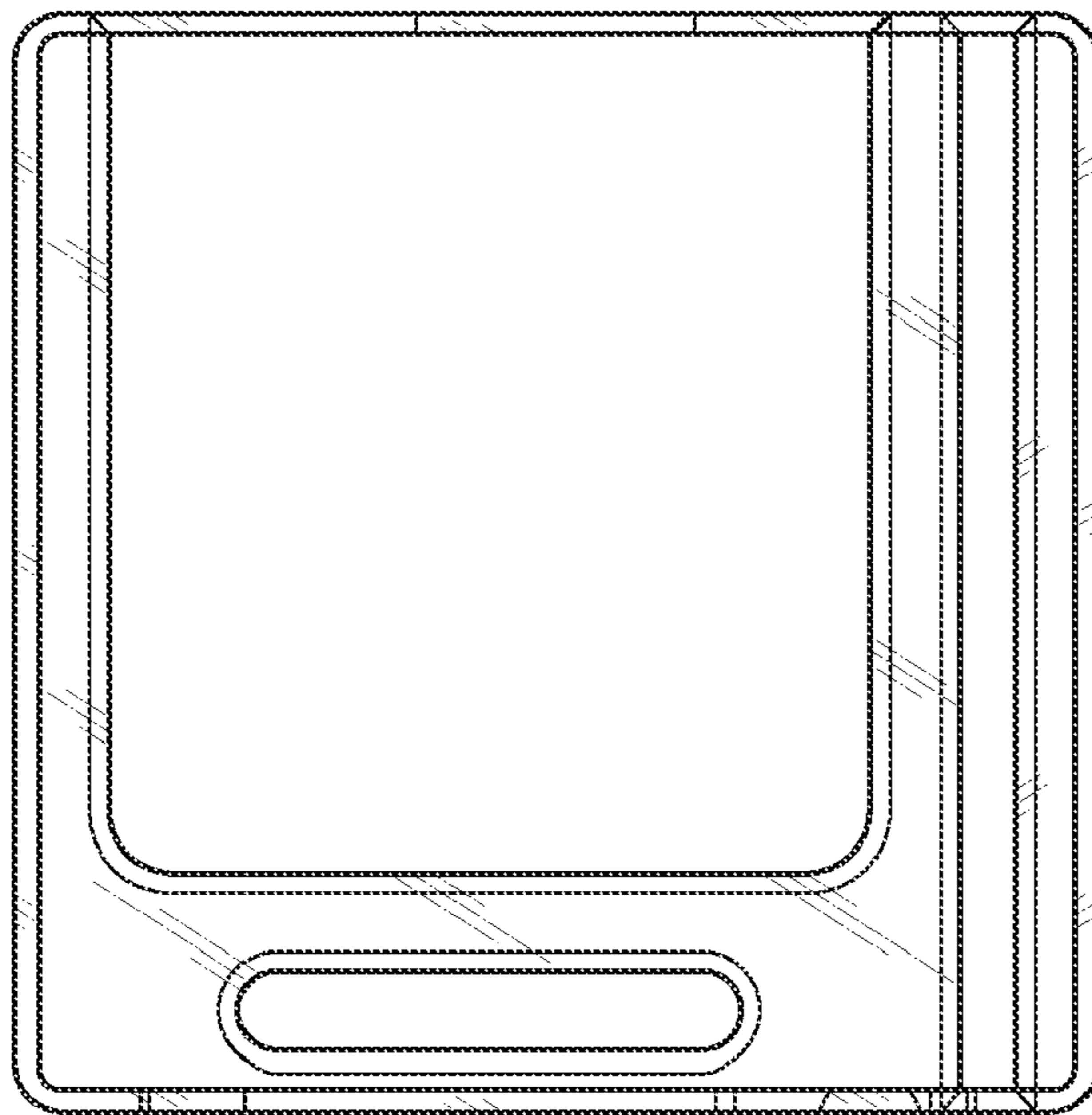


FIG. 7

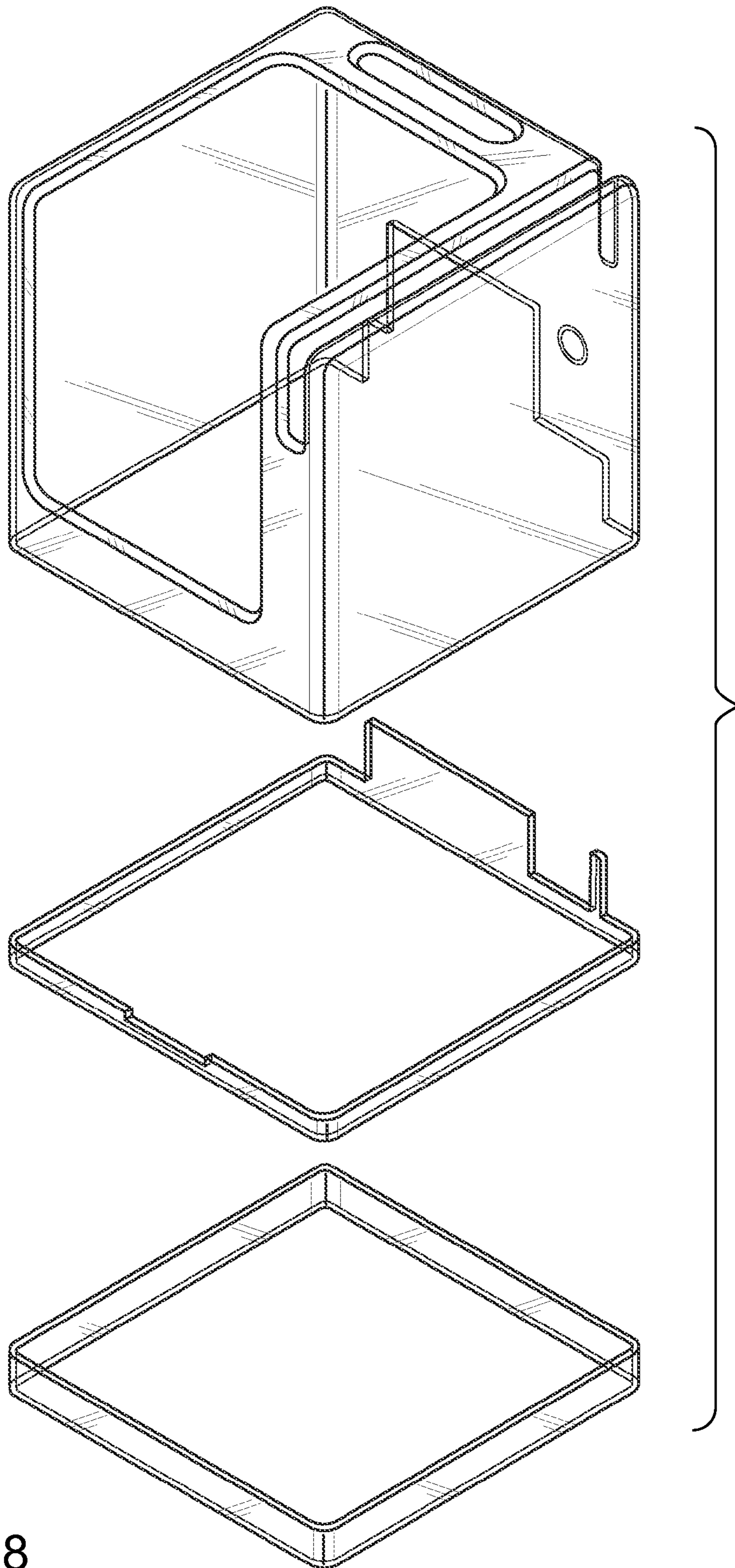


FIG. 8

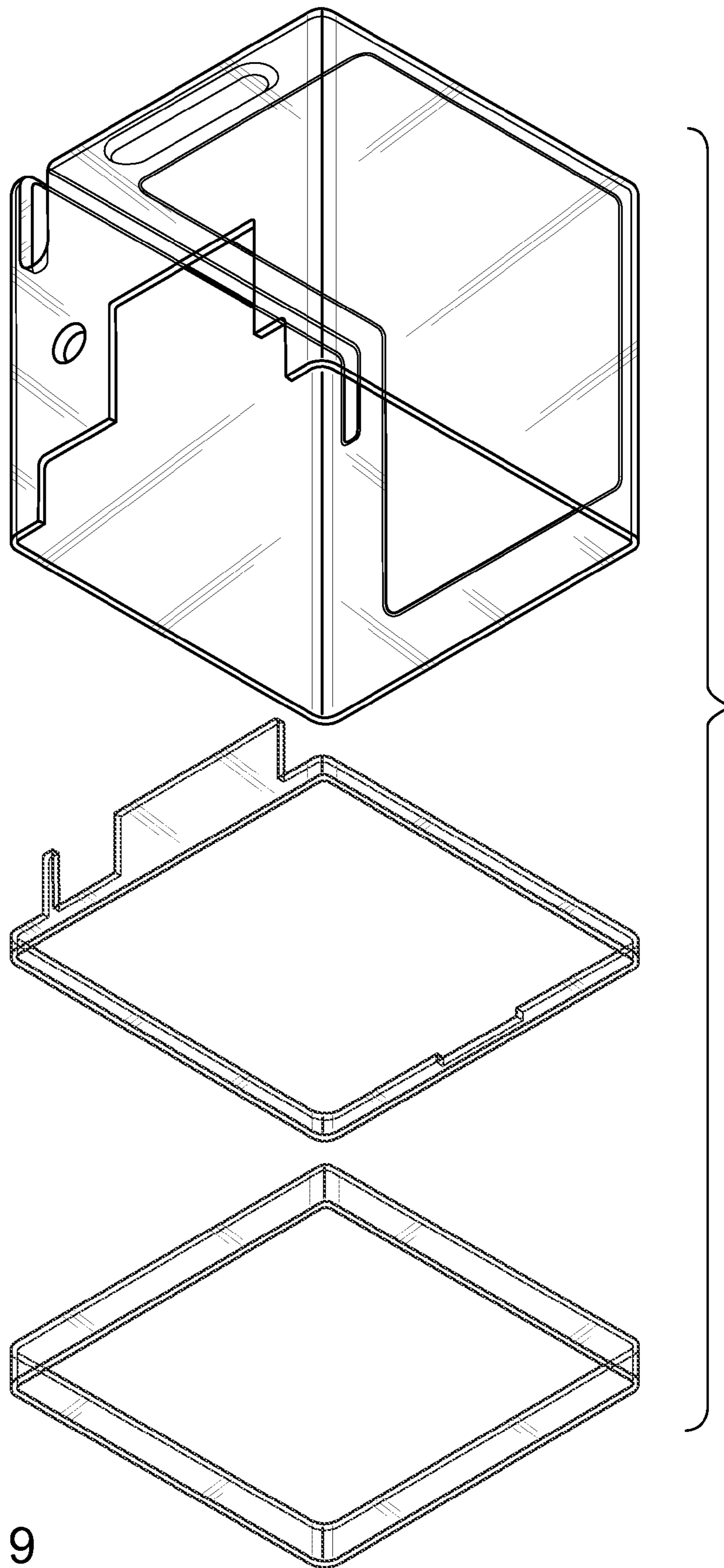


FIG. 9