



US00D632325S

(12) **United States Design Patent**
Jang et al.

(10) **Patent No.:** **US D632,325 S**

(45) **Date of Patent:** **** Feb. 8, 2011**

(54) **CAMCORDER**

(75) Inventors: **Young-Sang Jang**, Annyang-si (KR);
Tomohiro Harata, Tokyo (JP)

(73) Assignee: **Samsung Electronics Co., Ltd.**,
Maetan-dong, Yeongtong-gu, Suwon-si,
Gyeonggi-do (KR)

(**) Term: **14 Years**

(21) Appl. No.: **29/358,592**

(22) Filed: **Mar. 30, 2010**

(51) **LOC (9) Cl.** **16-01**

(52) **U.S. Cl.** **D16/203**

(58) **Field of Classification Search** D16/200–205,
D16/208, 218; 348/373–376; 358/906; 396/427,
396/535–541

See application file for complete search history.

(56) **References Cited**

U.S. PATENT DOCUMENTS

6,683,654	B1 *	1/2004	Haijima	348/374
D529,063	S *	9/2006	Cheng	D16/203
D584,753	S *	1/2009	Chung et al.	D16/202
D584,754	S *	1/2009	Chung et al.	D16/202
D600,731	S *	9/2009	Lee et al.	D16/203

D618,717	S *	6/2010	Frank et al.	D16/203
2007/0153120	A1 *	7/2007	Kajikawa et al.	348/373
2008/0111914	A1 *	5/2008	Takahashi et al.	348/373

* cited by examiner

Primary Examiner—Adir Aronovich

(74) *Attorney, Agent, or Firm*—Lexyoume IP Group, PLLC.

(57) **CLAIM**

The ornamental design for a camcorder, as shown and described.

DESCRIPTION

FIG. 1 is a front and right side perspective view of a camcorder showing our new design;

FIG. 2 is a front elevational view thereof;

FIG. 3 is a rear elevational view thereof;

FIG. 4 is a left side elevational view thereof;

FIG. 5 is a right side elevational view thereof;

FIG. 6 is a top plan view thereof;

FIG. 7 is a bottom plan view thereof; and,

FIG. 8 is rear elevational view of a camcorder thereof, with the display being in an open position.

1 Claim, 8 Drawing Sheets

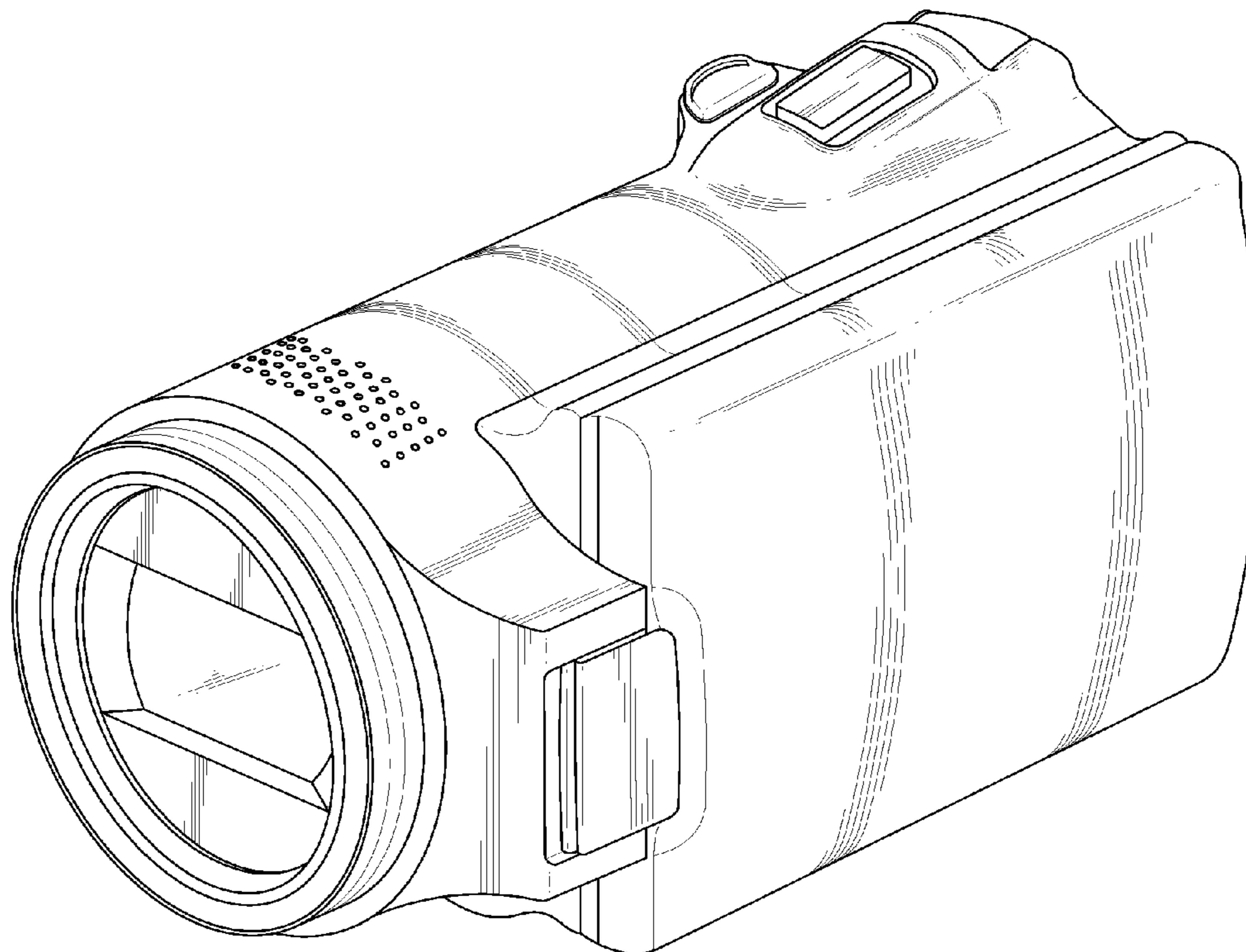


FIG. 1

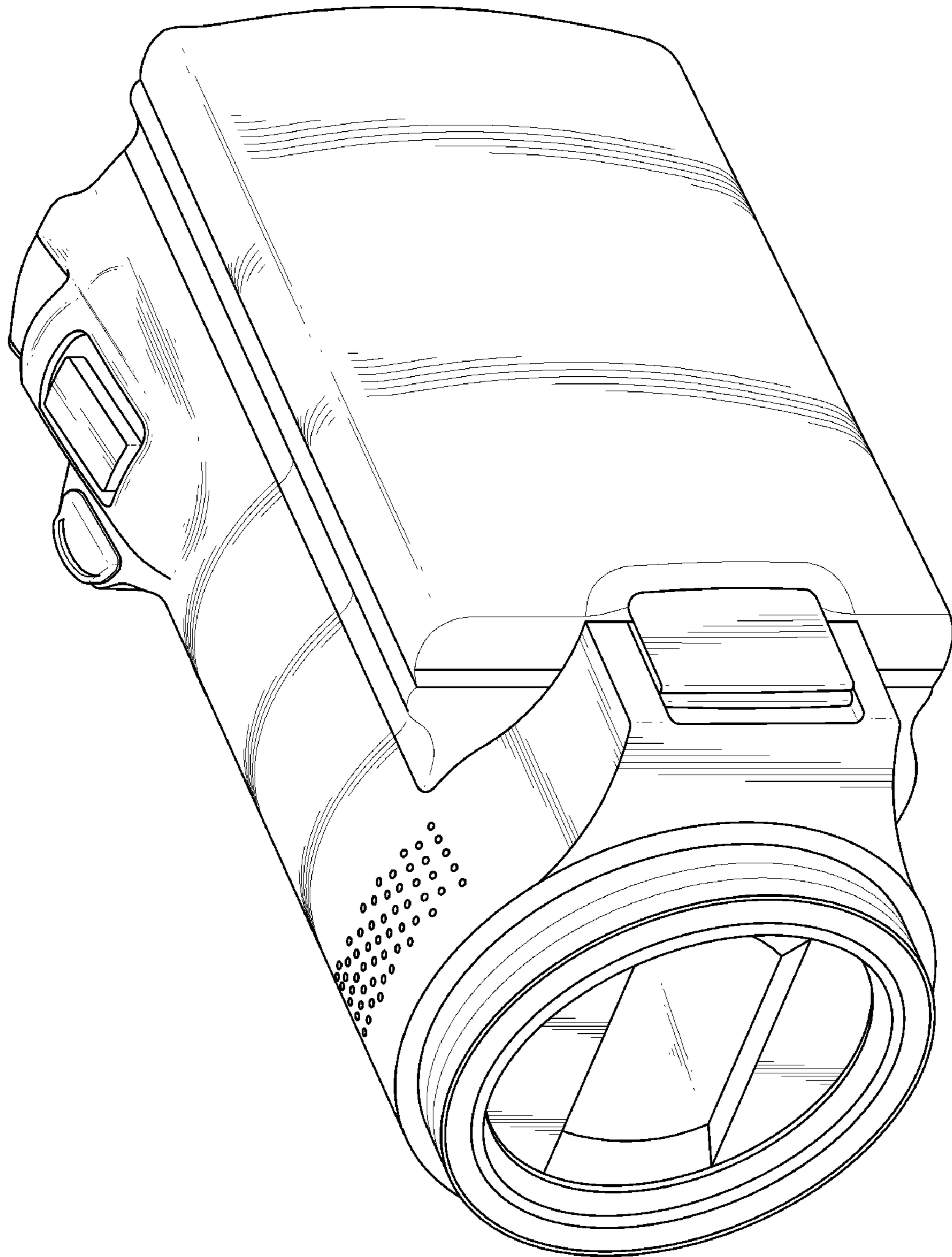


FIG.2

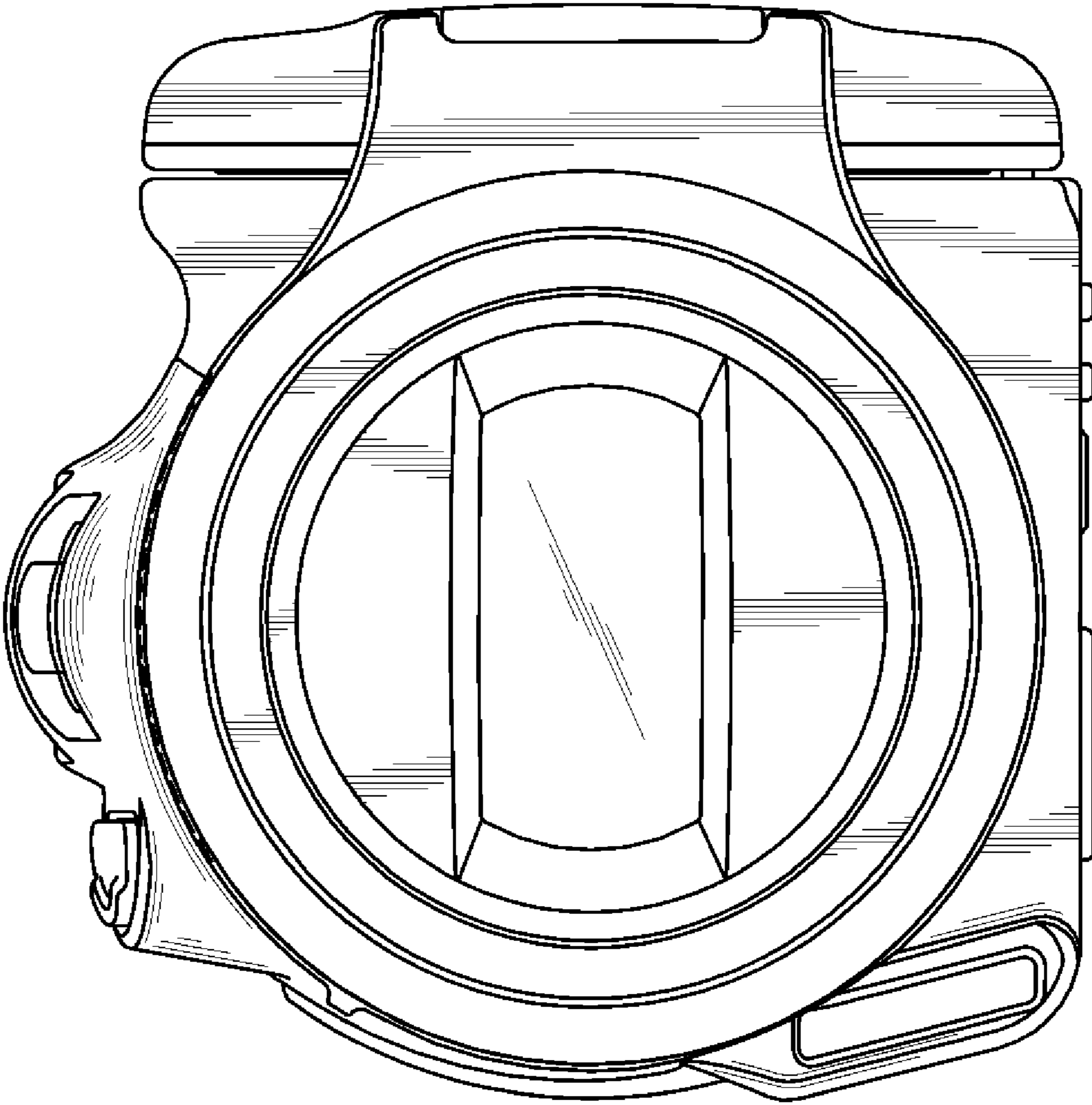


FIG.3

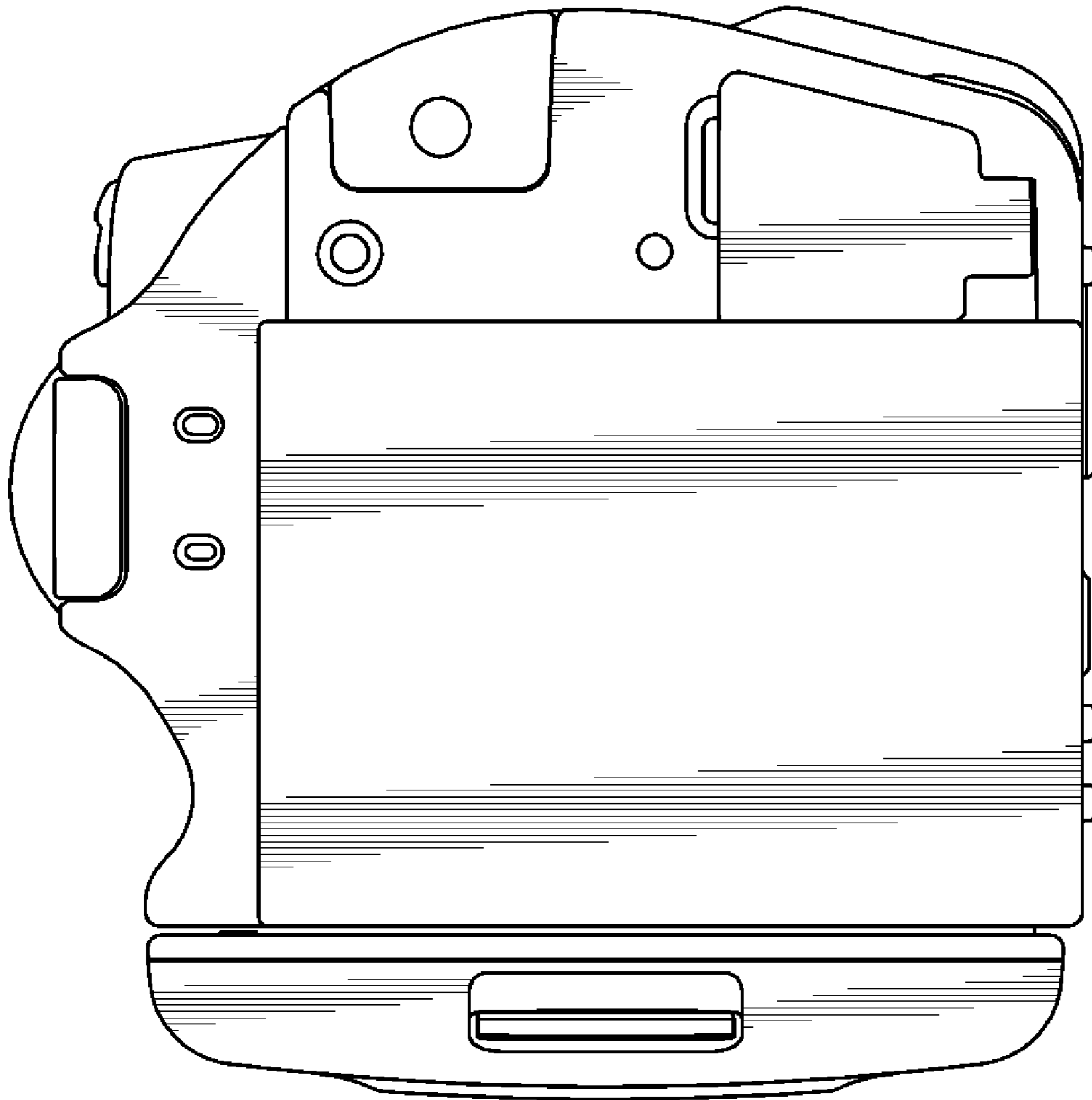


FIG.4

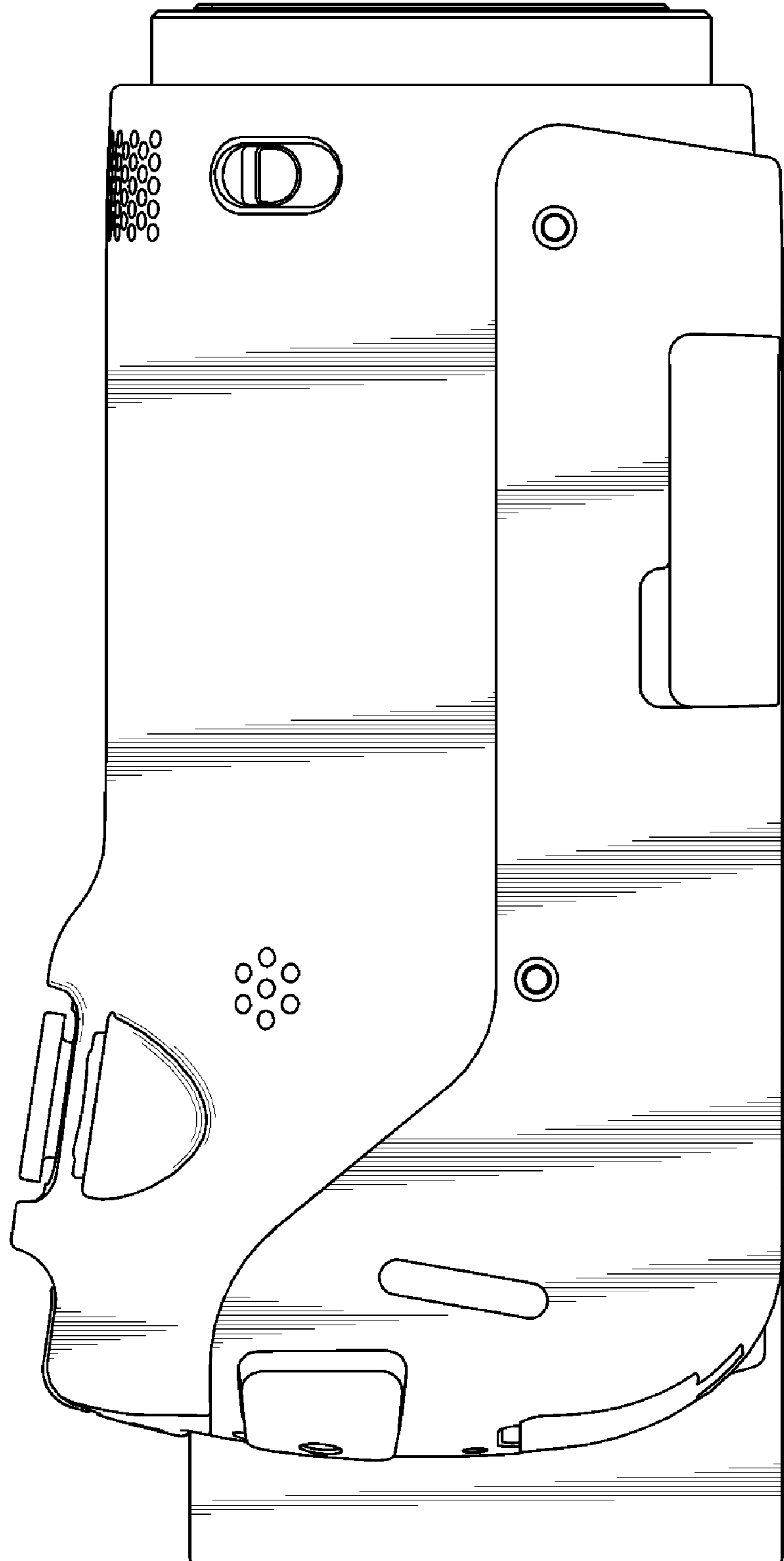


FIG.5

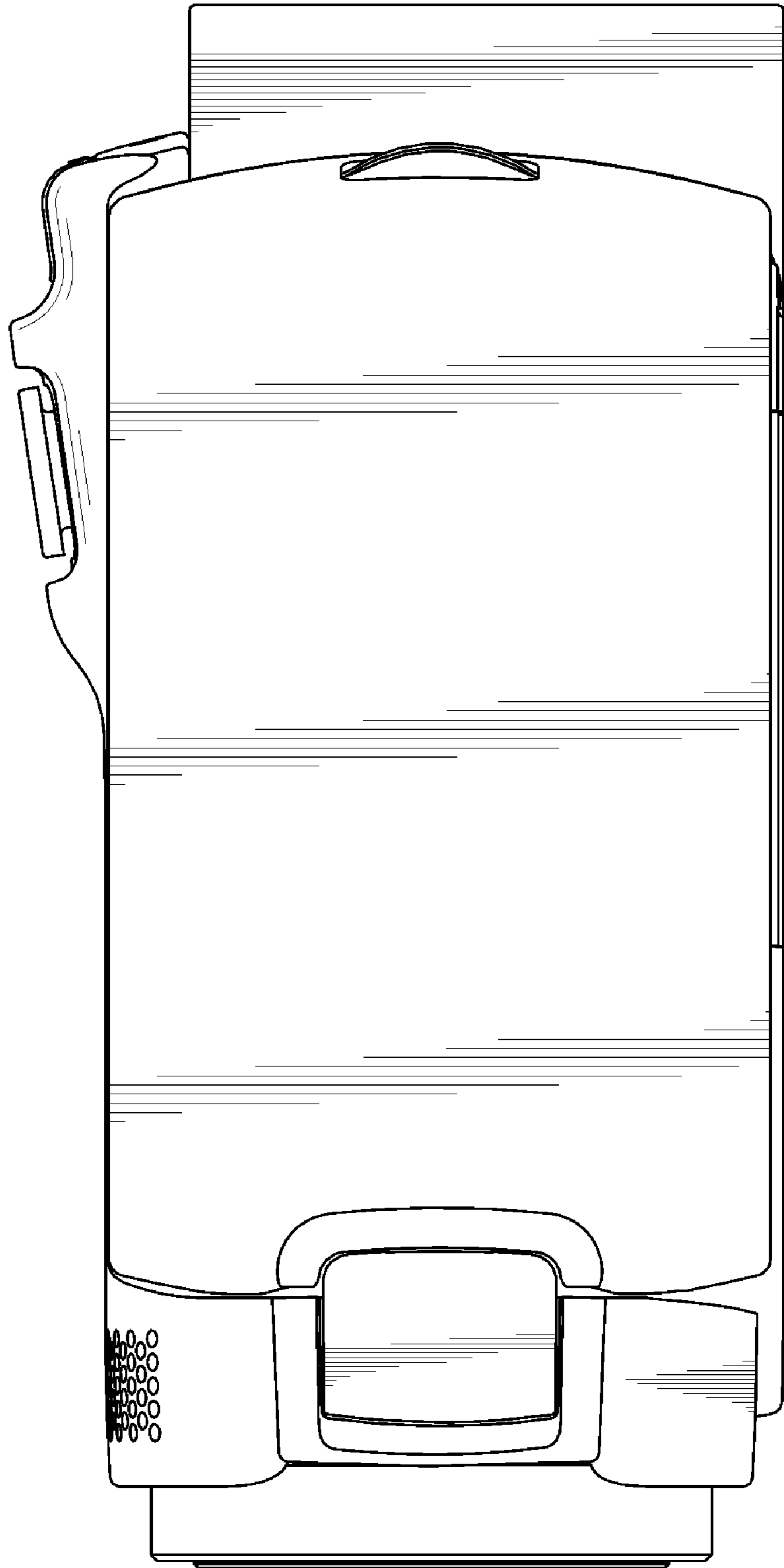


FIG.6

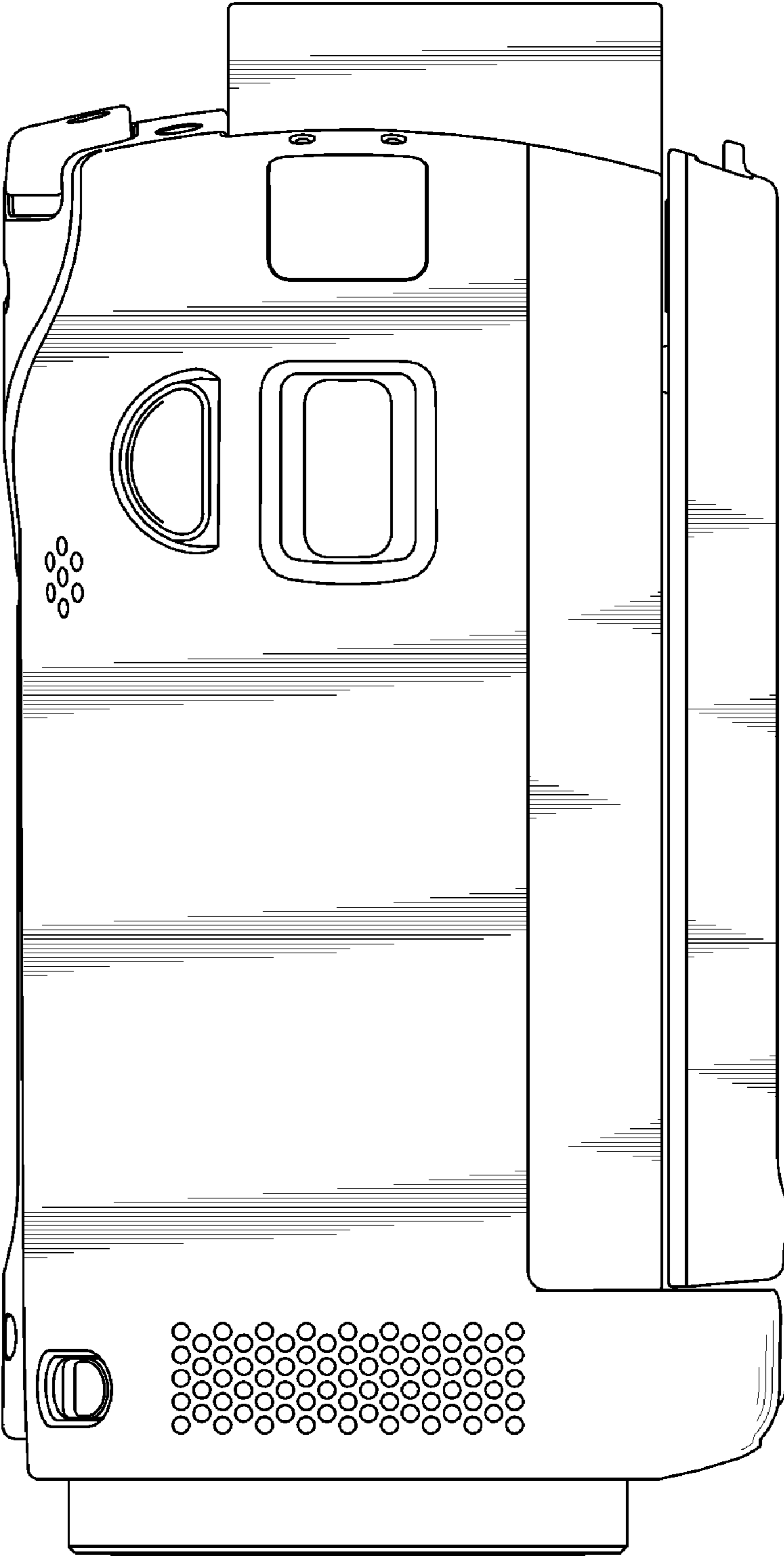


FIG. 7

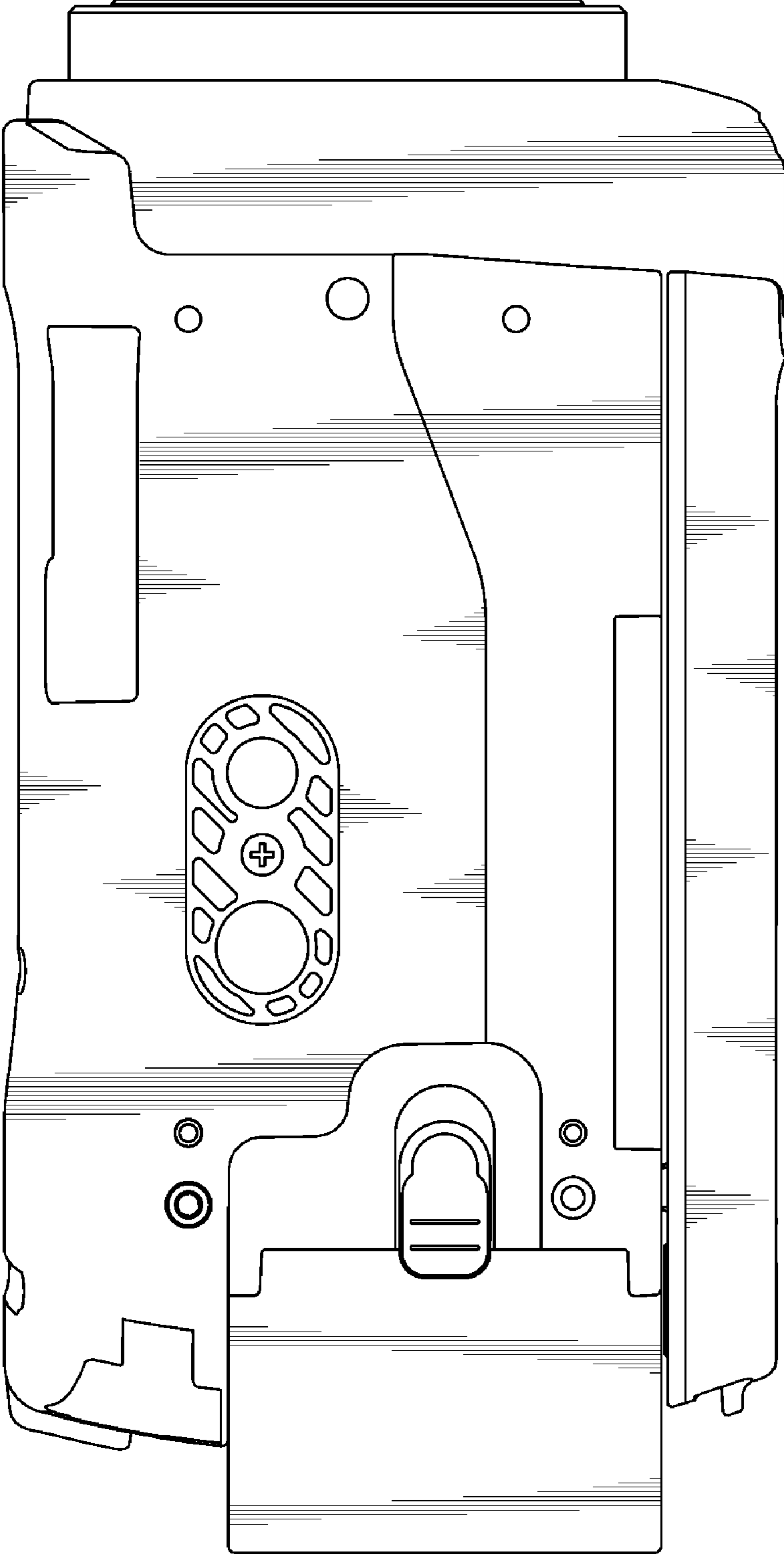


FIG. 8

