



US00D632323S

(12) **United States Design Patent**
Oonuma et al.

(10) **Patent No.:** **US D632,323 S**

(45) **Date of Patent:** **** *Feb. 8, 2011**

(54) **ELECTRON MICROSCOPE**

(75) Inventors: **Mitsuru Oonuma**, Tokyo (JP); **Akira Omachi**, Komae (JP); **Masahiko Ajima**, Hitachinaka (JP); **Tomohisa Ohtaki**, Hitachinaka (JP)

(73) Assignee: **Hitachi High-Technologies Corporation**, Tokyo (JP)

(*) Notice: This patent is subject to a terminal disclaimer.

(**) Term: **14 Years**

(21) Appl. No.: **29/356,731**

(22) Filed: **Mar. 2, 2010**

(30) **Foreign Application Priority Data**

Sep. 30, 2009 (JP) 2009-022636

(51) **LOC (9) Cl.** **16-06**

(52) **U.S. Cl.** **D16/131**

(58) **Field of Classification Search** D16/130, D16/131, 221, 234; D24/186, 232, 216; D7/390; D10/81; D13/184; 250/311; 359/383, 359/384, 385, 389, 390, 368, 370, 371, 372
See application file for complete search history.

(56) **References Cited**

U.S. PATENT DOCUMENTS

- D141,832 S * 7/1945 Holley D16/131
- 2,424,791 A * 7/1947 Bachman et al. 250/311
- D172,780 S * 8/1954 Briskin et al. D16/234
- D173,282 S * 10/1954 Pike D16/131
- D182,583 S * 4/1958 Goldberg D16/234
- D182,698 S * 4/1958 Wells D13/184
- 3,202,047 A * 8/1965 Lawler 359/384
- 3,551,019 A * 12/1970 Michel 356/326
- D223,669 S * 5/1972 Nishino D16/131

- D225,580 S * 12/1972 Reinecke D24/186
- 4,210,384 A * 7/1980 Meyer et al. 359/363
- D299,861 S * 2/1989 Hunsdale et al. D24/186
- 4,812,029 A * 3/1989 Onanhian 359/383
- D303,267 S * 9/1989 Takahashi et al. D16/131
- D332,616 S * 1/1993 Hashimoto et al. D16/131
- D491,272 S * 6/2004 Alden et al. D24/216
- D516,121 S * 2/2006 Suzuki et al. D18/55
- D572,464 S * 7/2008 Koshiishi D3/7
- D574,280 S * 8/2008 Wakamatsu et al. D10/81
- D591,864 S * 5/2009 Schmidt D24/216
- D607,569 S * 1/2010 Yukikado et al. D24/186
- D623,211 S * 9/2010 Oonuma et al. D16/131

OTHER PUBLICATIONS

U.S. Patent Application of Oonuma et al., U.S. Appl. No. 29/343,661, filed Sep. 17, 2009.

* cited by examiner

Primary Examiner—Paula Greene

(74) *Attorney, Agent, or Firm*—Antonelli, Terry, Stout & Kraus, LLP.

(57) **CLAIM**

We claim the ornamental design for an electron microscope, as shown and described.

DESCRIPTION

FIG. 1 is front, top and right side perspective view of an electron microscope showing our new design;

FIG. 2 is a front elevational view thereof;

FIG. 3 is a rear elevational view thereof;

FIG. 4 is a left side elevational view thereof;

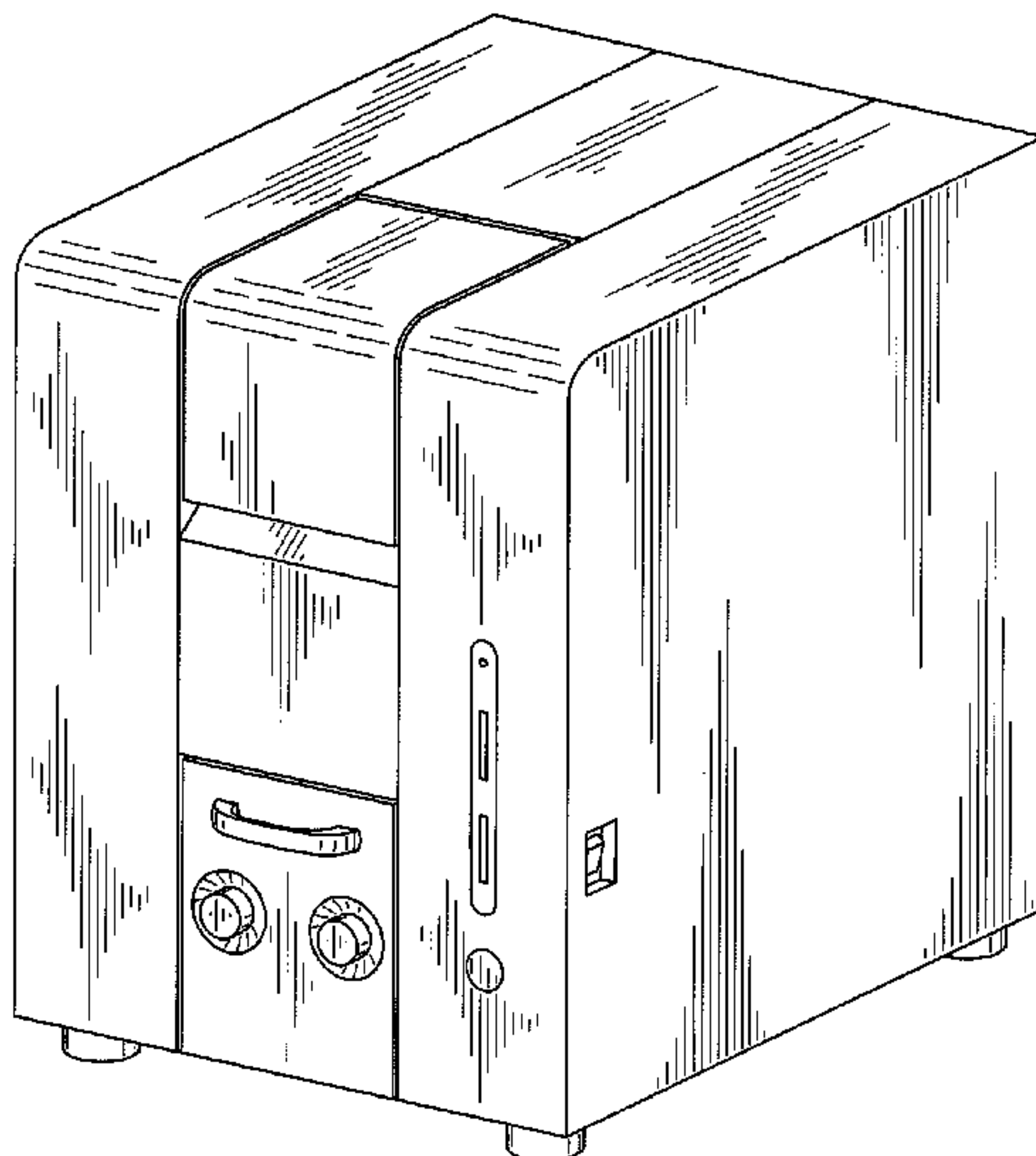
FIG. 5 is a right side elevational view thereof;

FIG. 6 is a top plan view thereof; and,

FIG. 7 is a bottom plan view thereof.

The broken lines form no part of the claimed design.

1 Claim, 7 Drawing Sheets



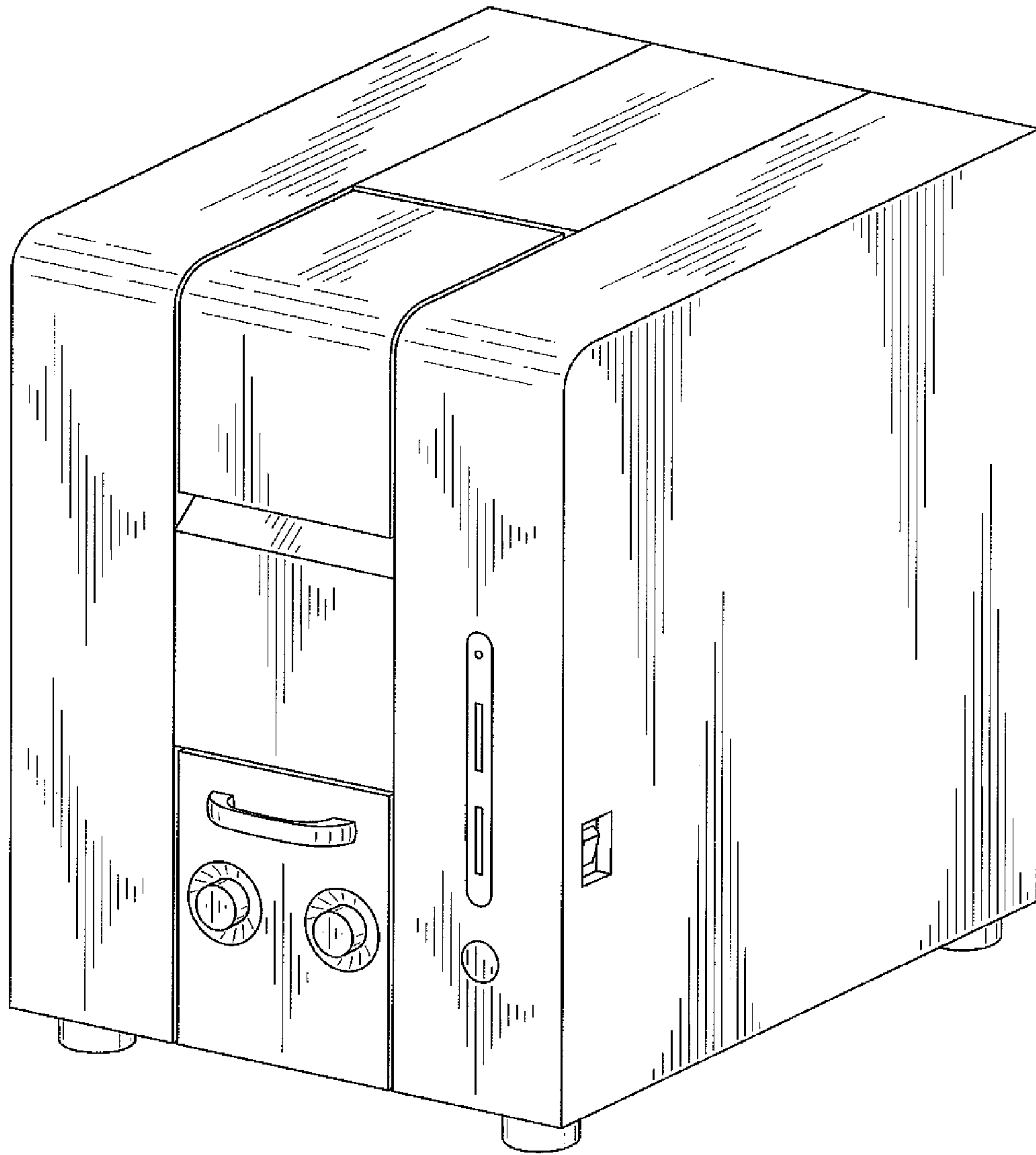


FIG. 1

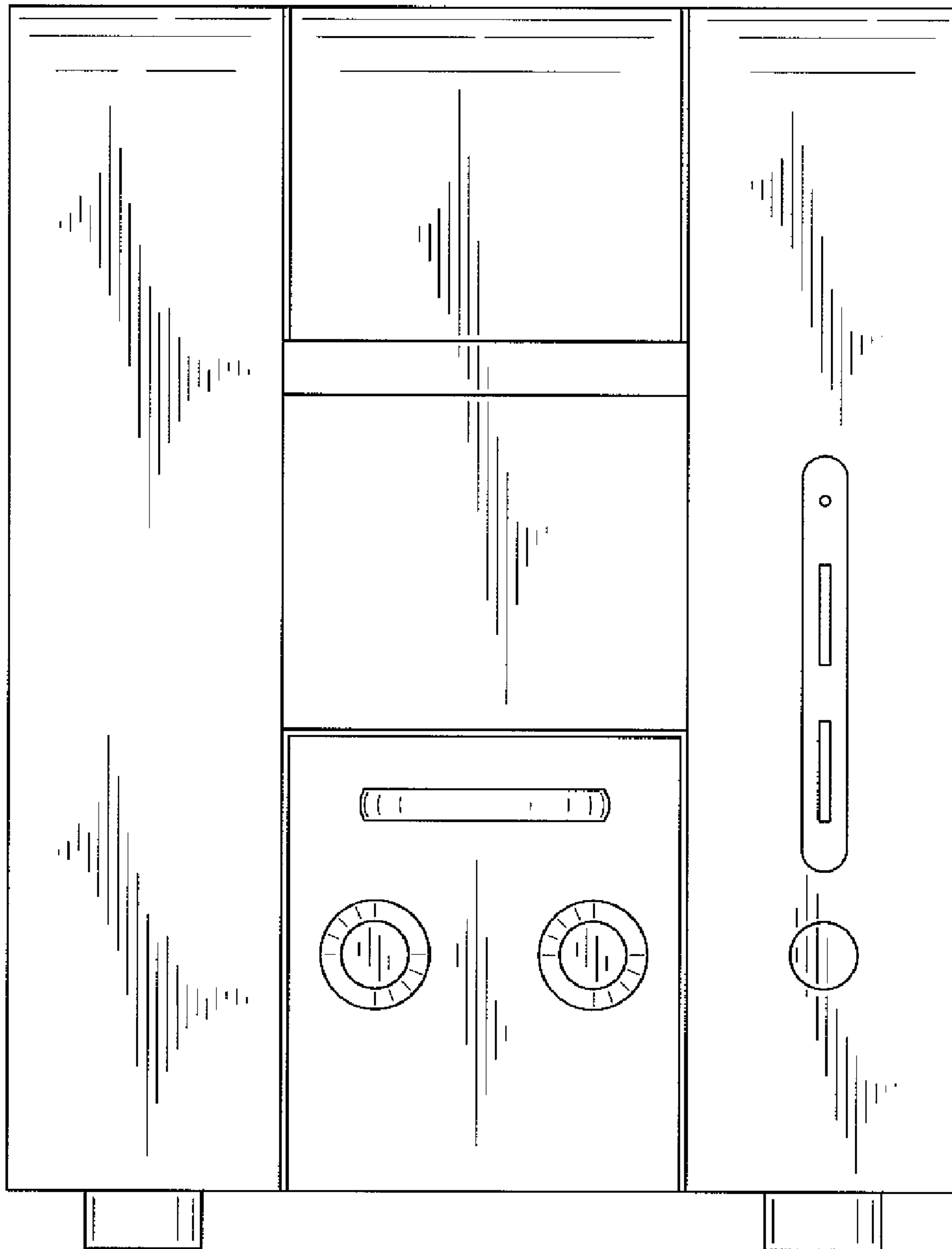


FIG. 2

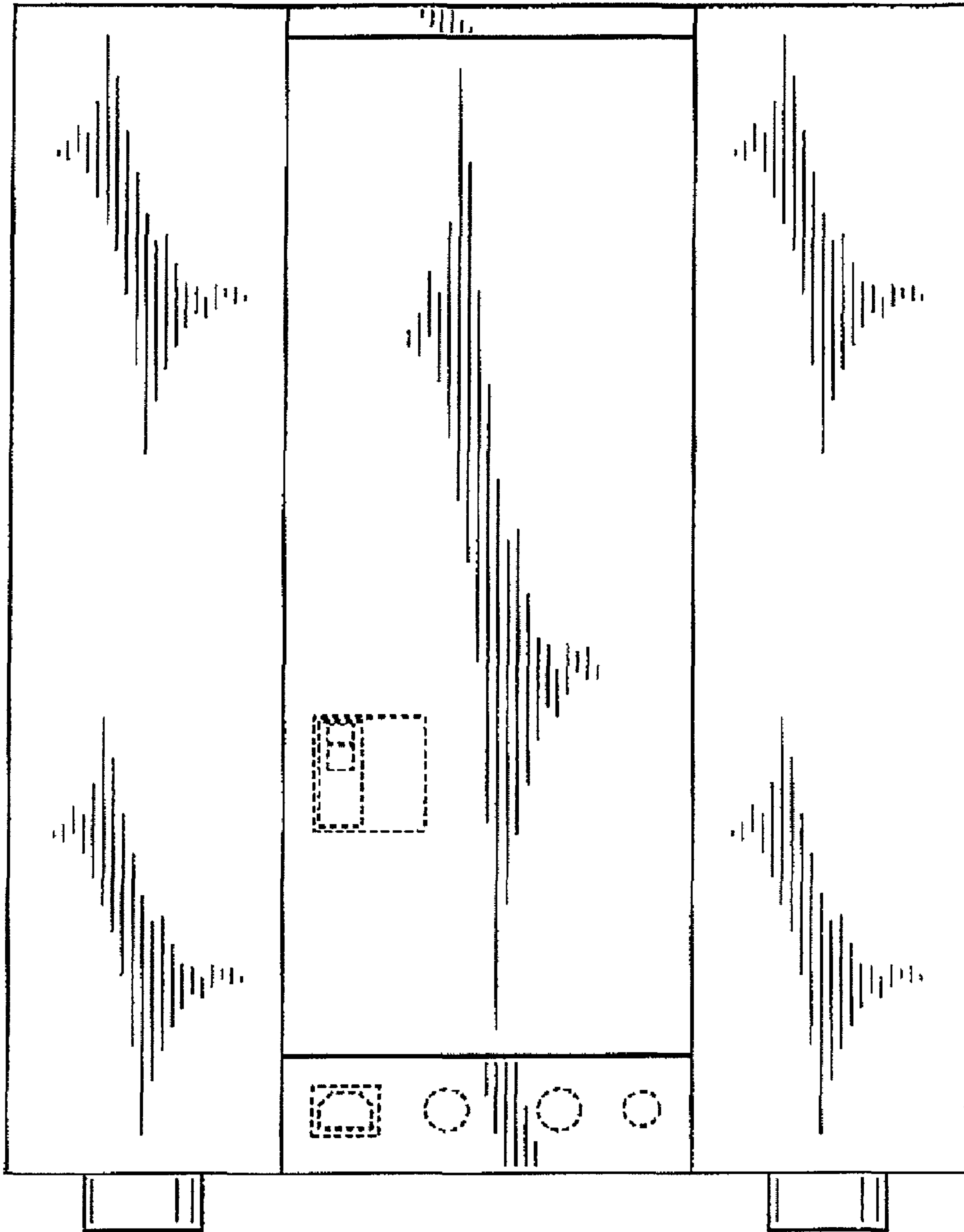


FIG. 3

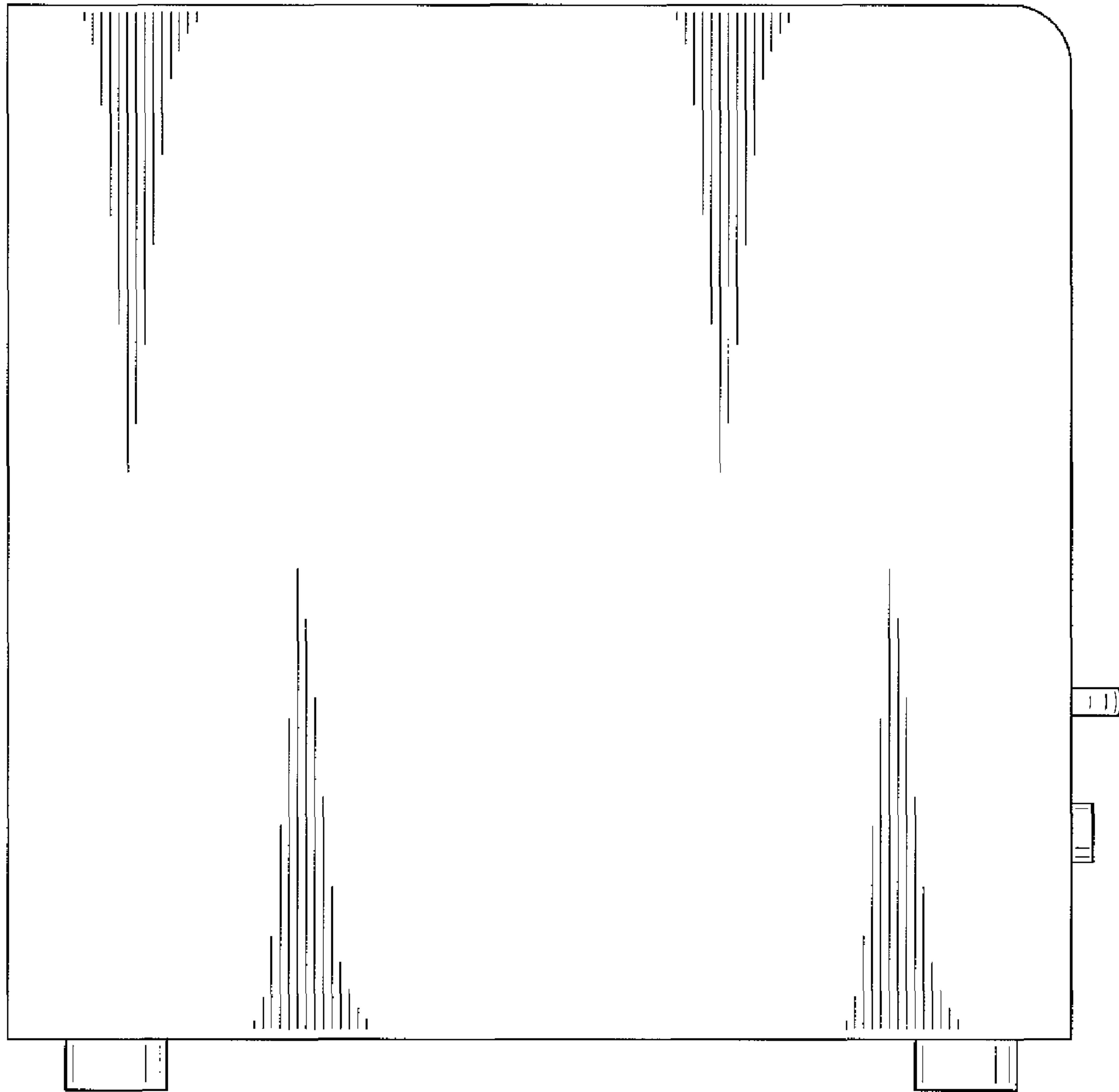


FIG. 4

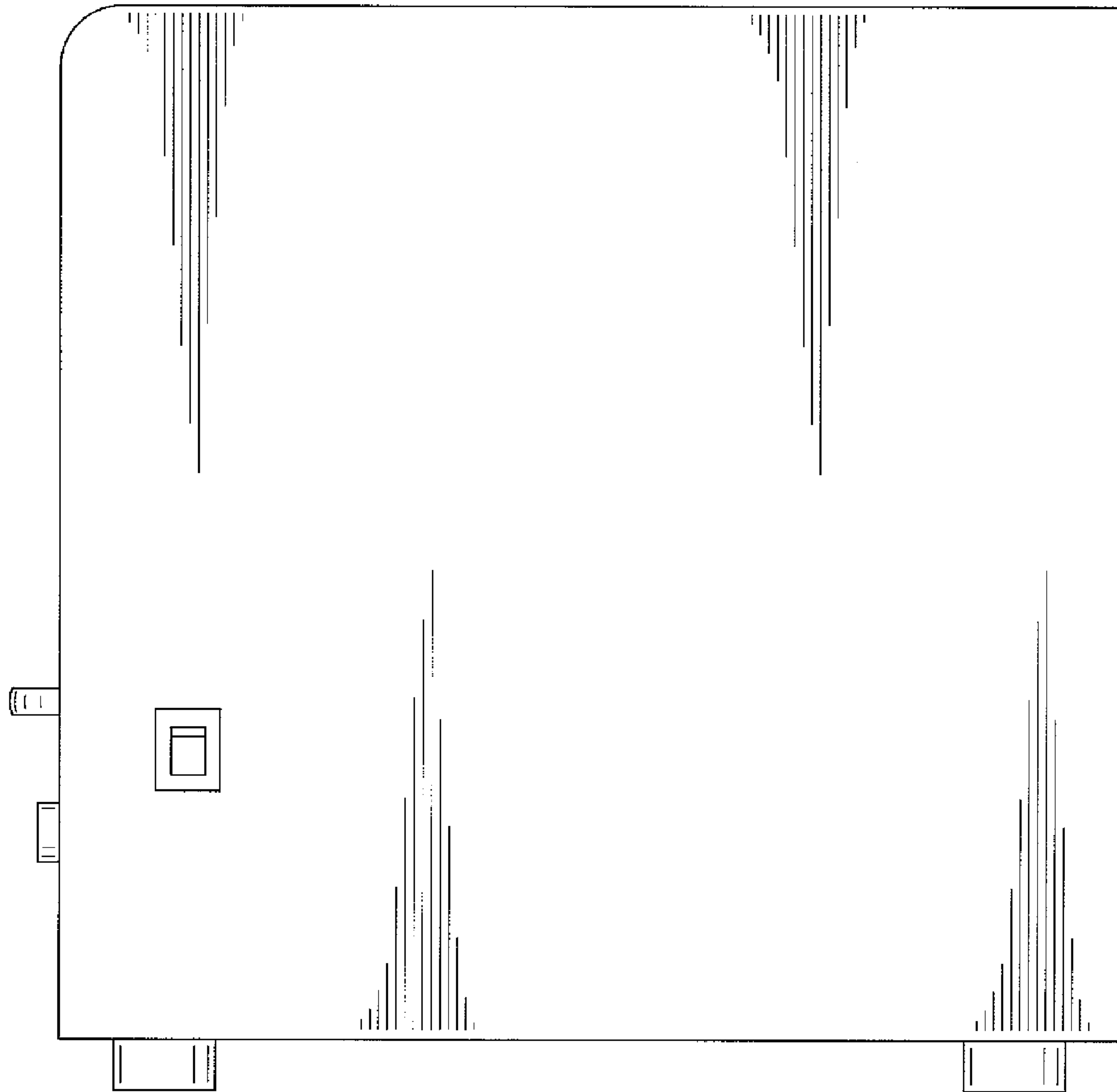


FIG. 5

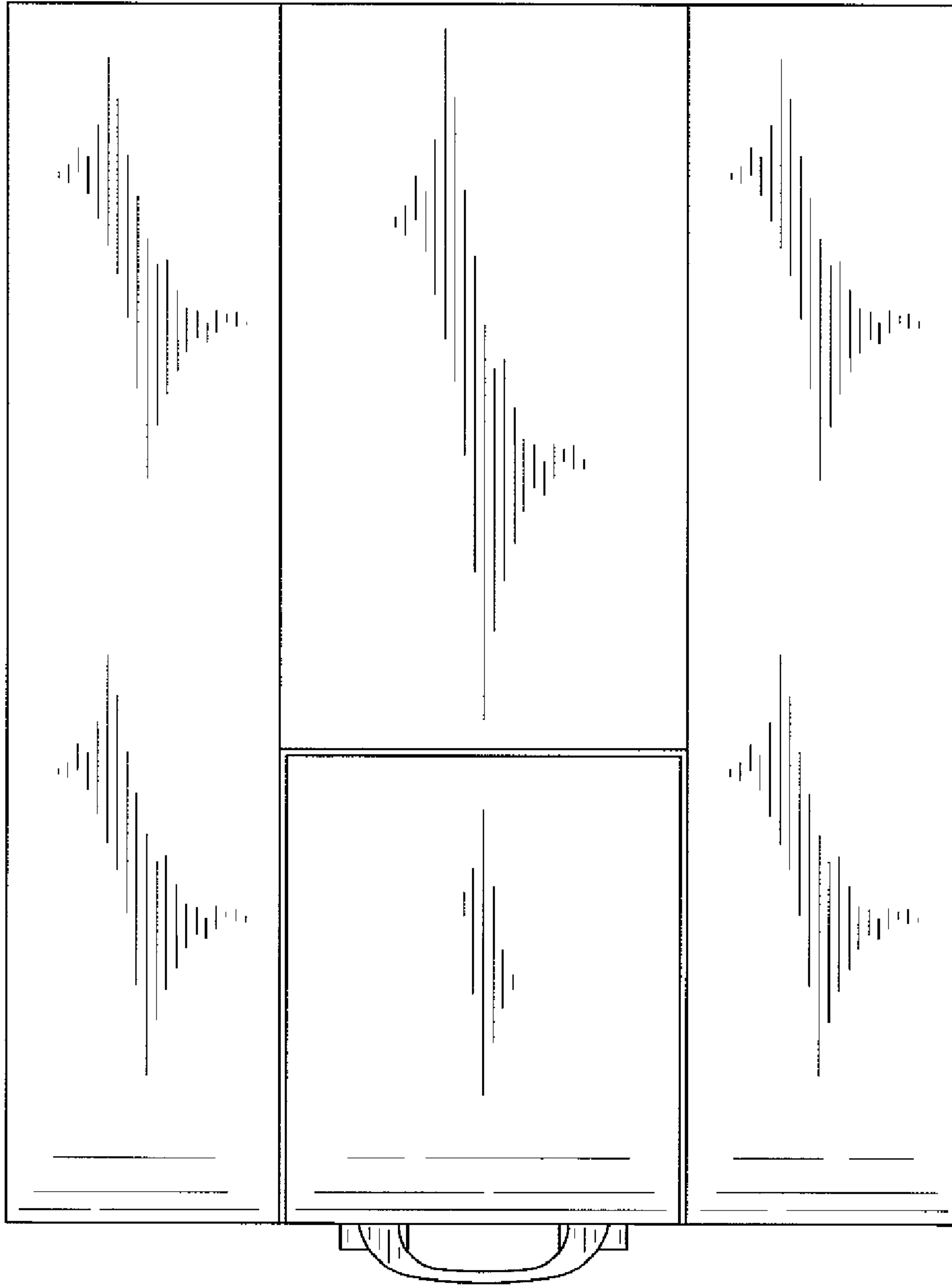


FIG. 6

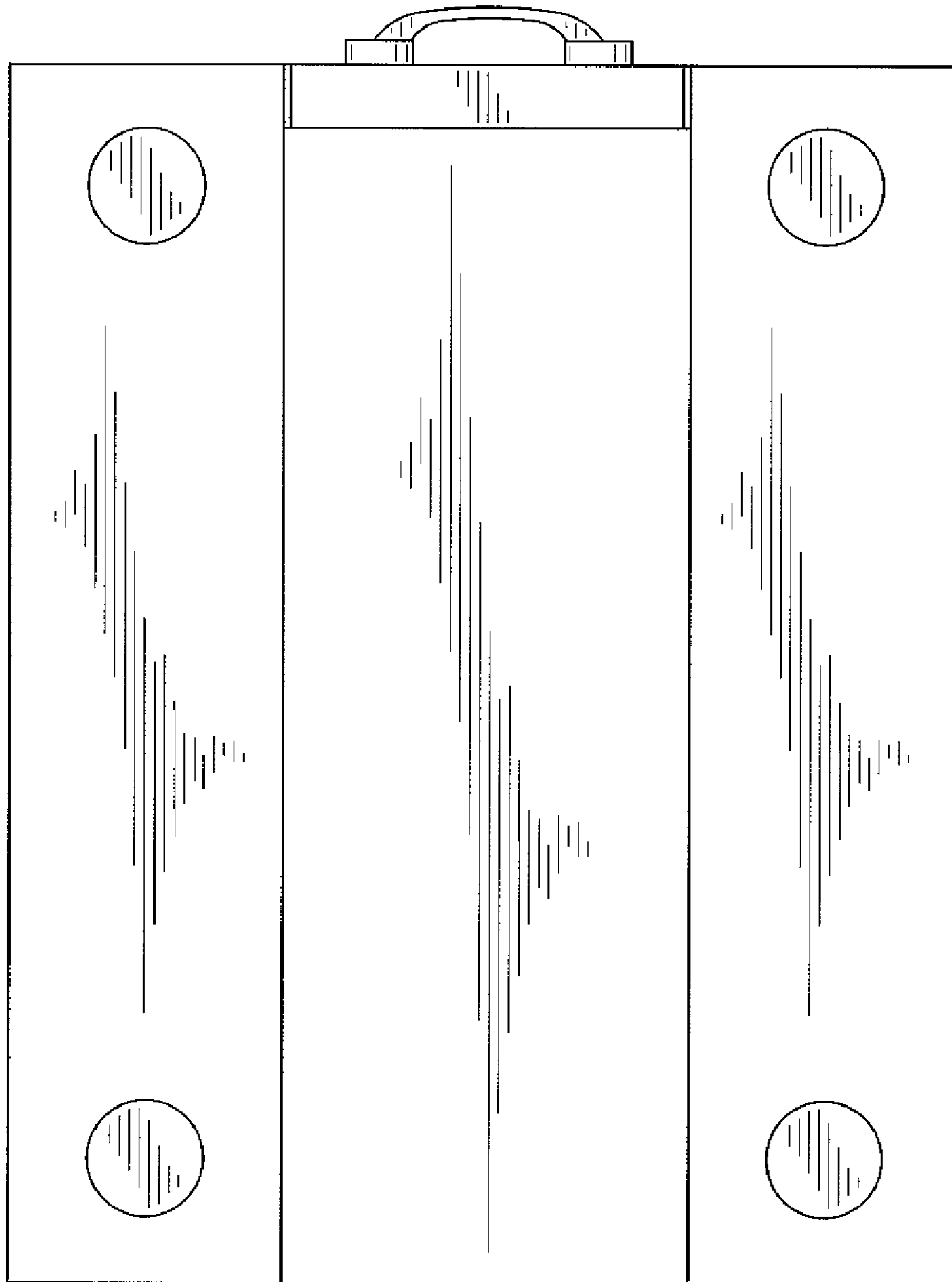


FIG. 7