

US00D632322S

(12) **United States Design Patent**
Chiang et al.

(10) **Patent No.:** **US D632,322 S**
(45) **Date of Patent:** **** Feb. 8, 2011**

(54) **OPTICAL LENS**

2008/0316761 A1* 12/2008 Minano et al. 359/627

(75) Inventors: **Jen-Ta Chiang**, Tucheng (TW);
Chia-Hao Liang, Tucheng (TW)

FOREIGN PATENT DOCUMENTS

(73) Assignee: **Everlight Electronics Co., Ltd.**,
Tucheng, Taipei County (TW)

JP	2002-84003	3/2002
JP	D1361923	6/2009
TW	D124441	8/2008
TW	D127498	2/2009

(**) Term: **14 Years**

OTHER PUBLICATIONS

(21) Appl. No.: **29/360,653**

Taiwan search report mailed Sep. 21, 2010.

(22) Filed: **Apr. 29, 2010**

* cited by examiner

(30) **Foreign Application Priority Data**

Nov. 20, 2009 (TW) 98305528

Primary Examiner—Raphael Barkai

(74) *Attorney, Agent, or Firm*—Thomas, Kayden,
Horstemeyer & Risley, LLP

(51) **LOC (9) Cl.** **16-06**

(57) **CLAIM**

(52) **U.S. Cl.** **D16/101**

The ornamental design for an optical lens, as shown and described.

(58) **Field of Classification Search** D16/101,
D16/300–342; D29/109–110; D24/110.2;
351/41, 44, 51–52, 62, 158, 92, 103–123,
351/140, 153, 45–46; 2/426–432, 447–449,
2/441, 434–437, 13, 15; D21/483, 659–661;
359/619, 627, 628, 742, 743, 708

DESCRIPTION

See application file for complete search history.

FIG. 1 is a perspective view of an optical lens showing the claimed design;

FIG. 2 is a front elevational view thereof; the rear elevational view being a mirror image of the front elevational view;

(56) **References Cited**

U.S. PATENT DOCUMENTS

5,013,144	A *	5/1991	Silverglate et al.	359/709
6,623,150	B2 *	9/2003	Roller et al.	362/520
7,006,306	B2	2/2006	Falicoff et al.		
7,106,523	B2 *	9/2006	McLean et al.	359/708
D556,228	S *	11/2007	Lam	D16/101
2004/0218279	A1 *	11/2004	Bergen	359/627
2007/0121213	A1 *	5/2007	Tseng et al.	359/628
2007/0257610	A1	11/2007	Shen		

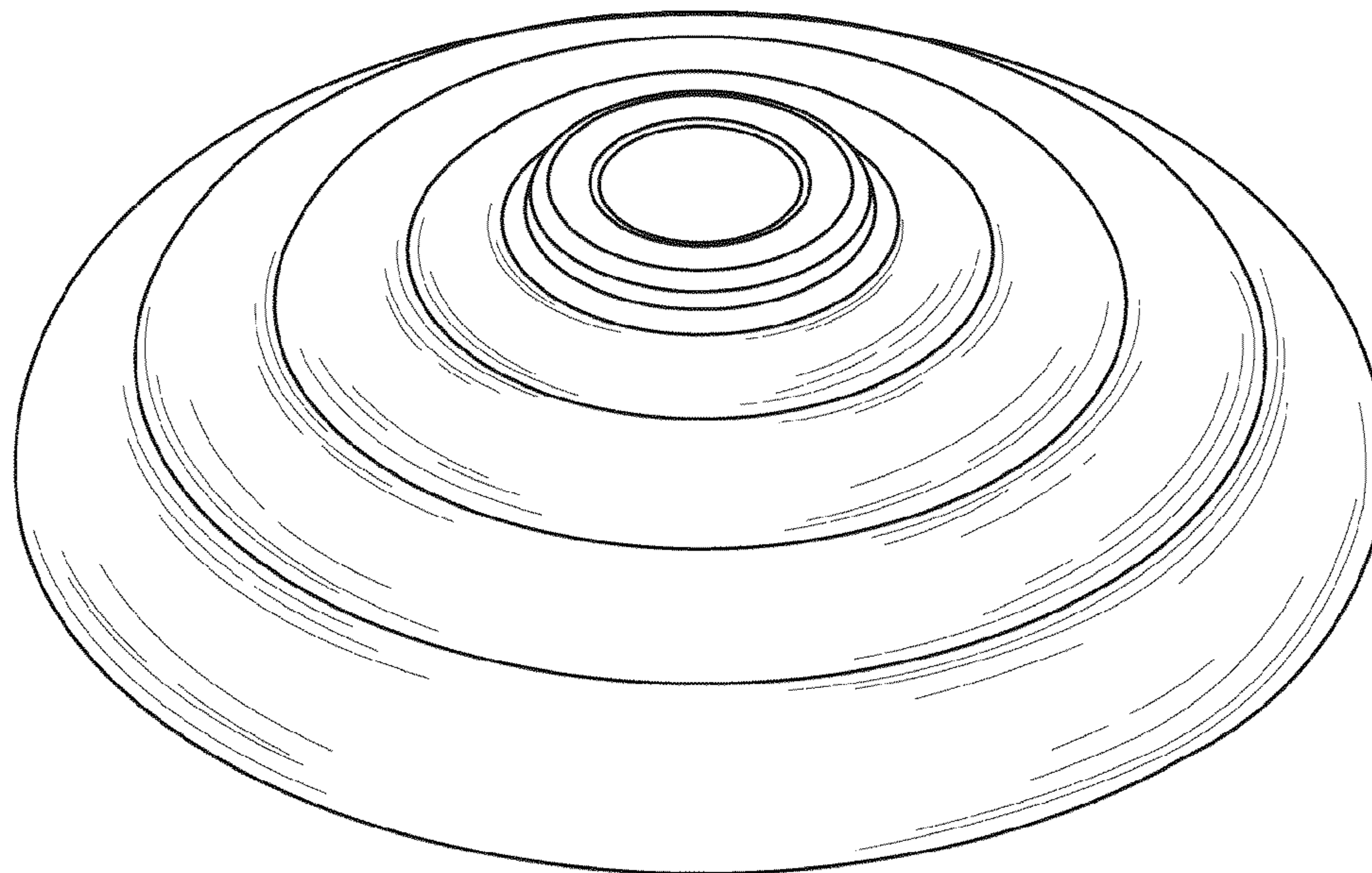
FIG. 3 is a left side elevational view thereof; the right side elevational view being identical to the left side elevational view;

FIG. 4 is a top plan view thereof;

FIG. 5 is a bottom plan view thereof; and,

FIG. 6 is a cross-sectional view taken along Line A—A of FIG. 3.

1 Claim, 6 Drawing Sheets



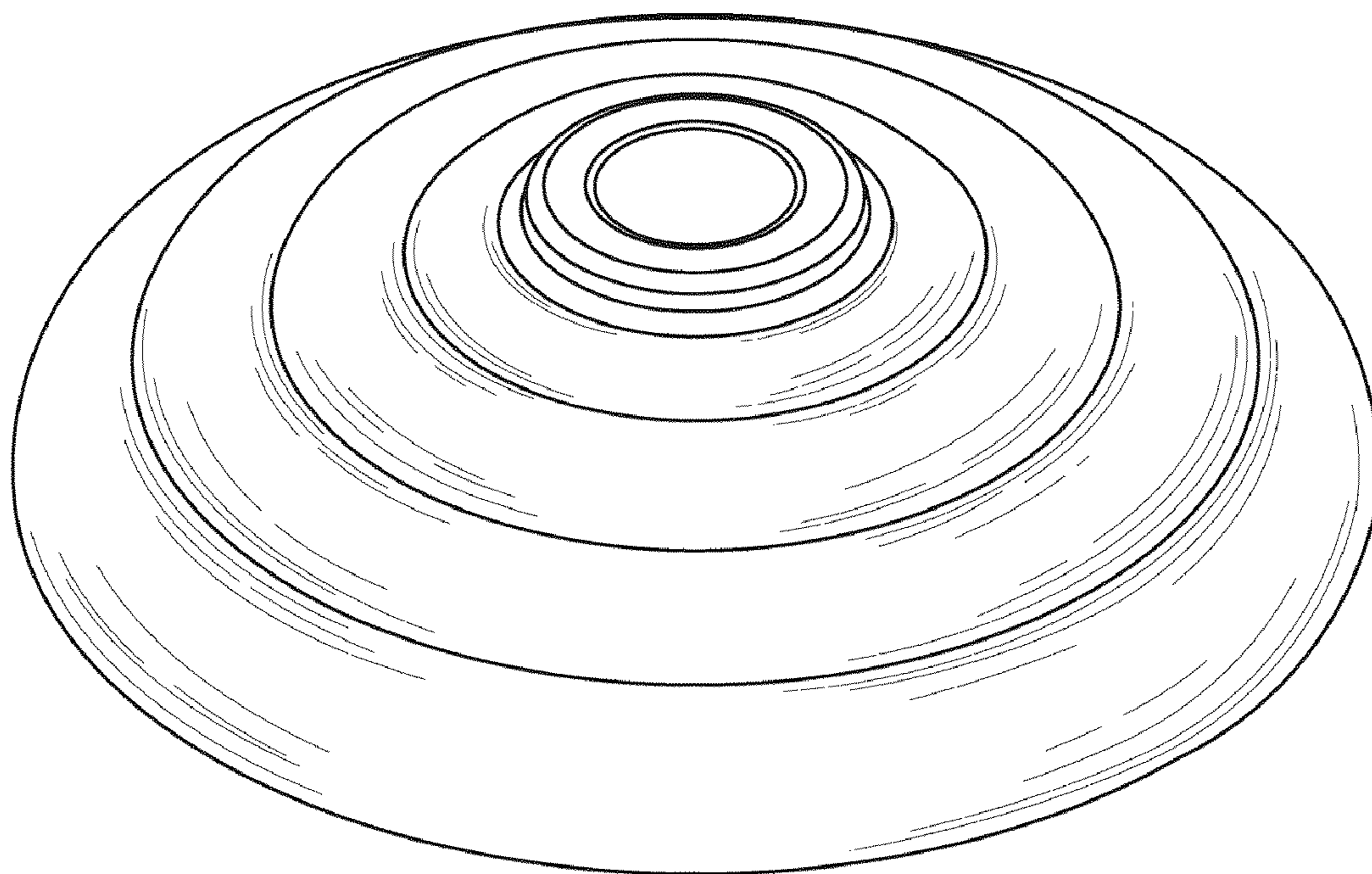


FIG.1

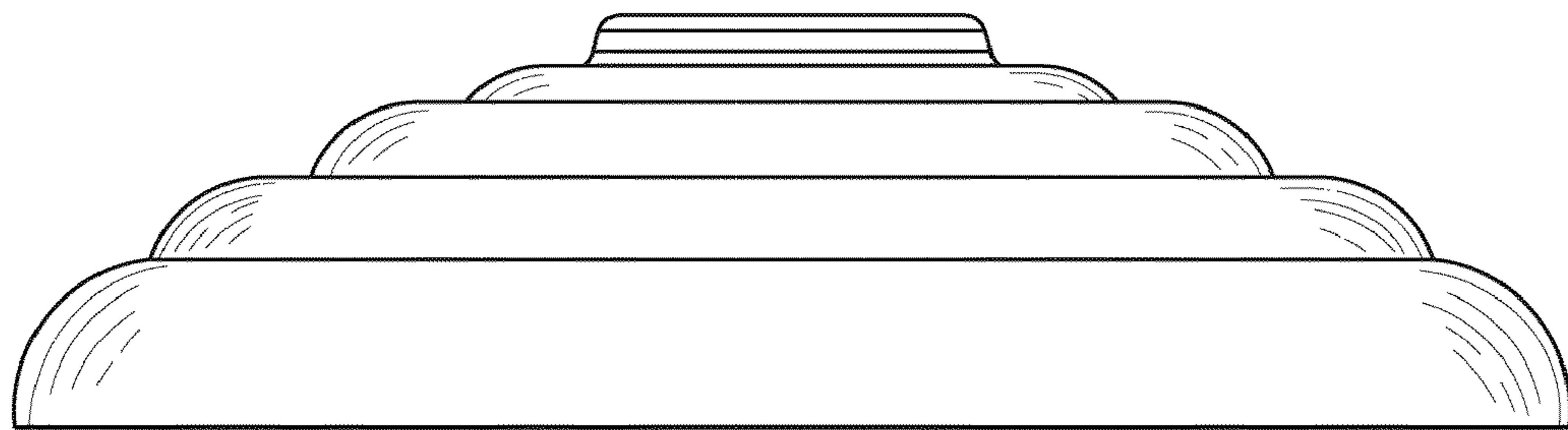


FIG.2

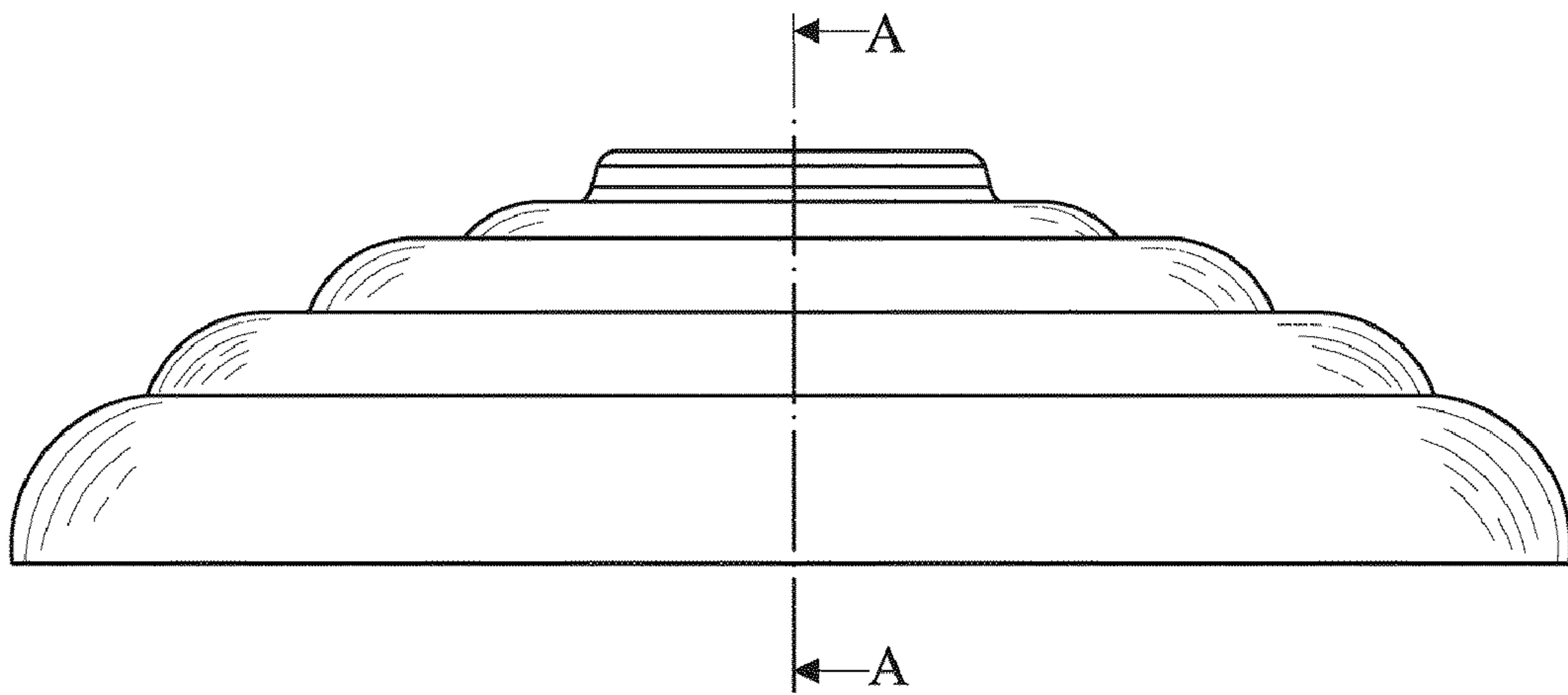


FIG.3

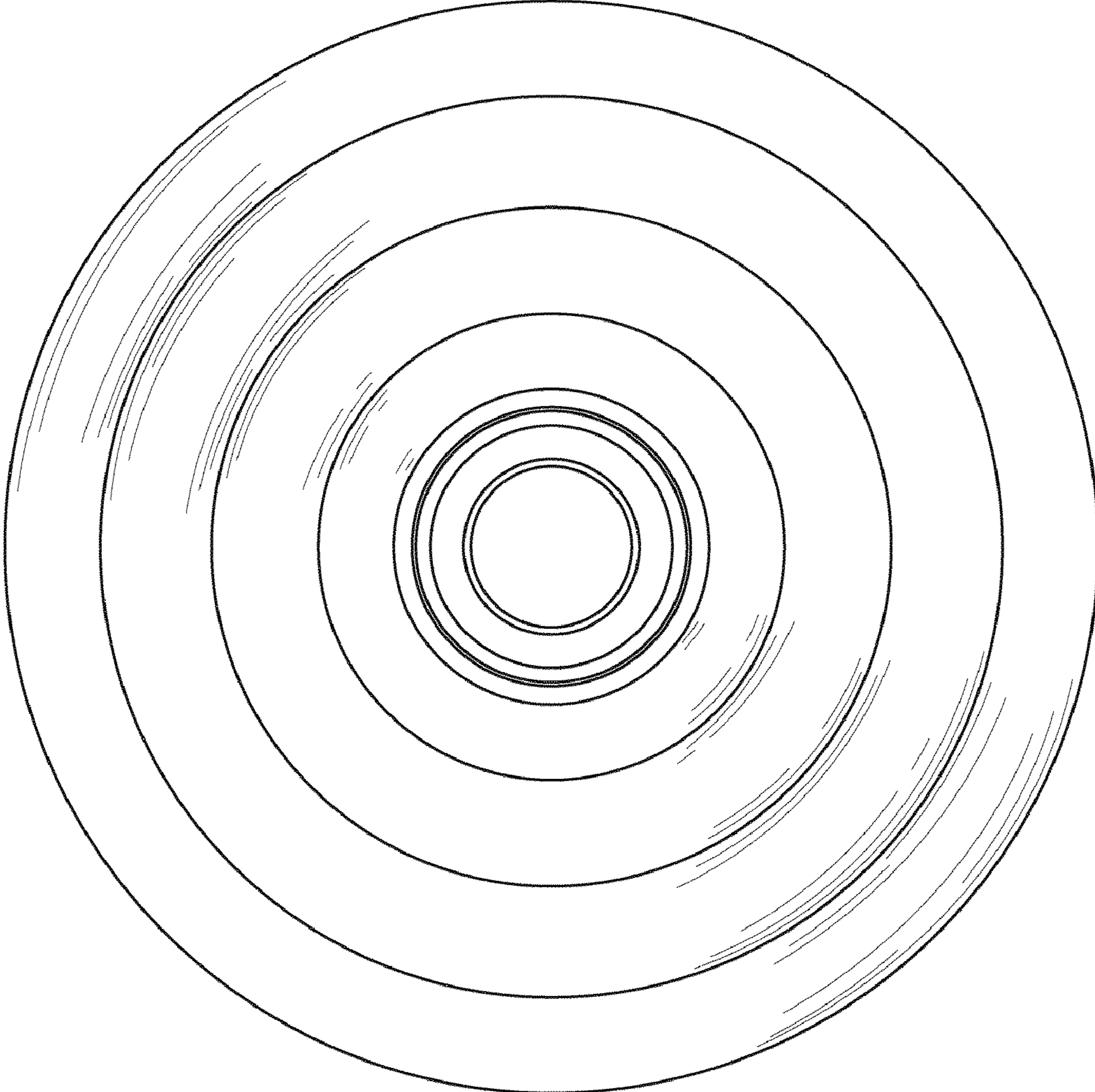


FIG.4



FIG.5

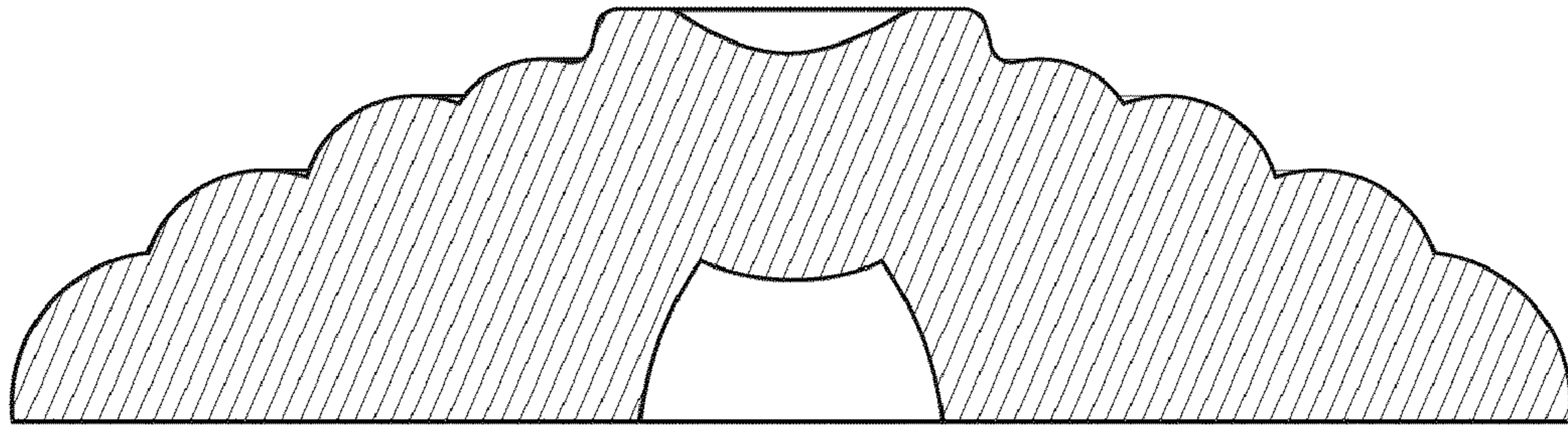


FIG.6