



US00D632321S

(12) **United States Design Patent**
Wu

(10) **Patent No.:** **US D632,321 S**
(45) **Date of Patent:** **** Feb. 8, 2011**

(54) **ELECTRIC CYLINDER**

(75) Inventor: **Chou-Hsin Wu**, Xindian (TW)

(73) Assignee: **Timotion Technology Co. Ltd.**, Taipei (TW)

(**) Term: **14 Years**

(21) Appl. No.: **29/379,034**

(22) Filed: **Nov. 12, 2010**

(51) **LOC (9) Cl.** **15-09**

(52) **U.S. Cl.** **D15/143**

(58) **Field of Classification Search** D13/147,
D13/148, 158; D15/5, 143, 148, 199; D23/233;
74/89.15, 411.5, 490.09; 297/14, 325, 327;
310/20, 80; 319/80; 414/560-569

See application file for complete search history.

(56) **References Cited**

U.S. PATENT DOCUMENTS

6,321,611	B1 *	11/2001	Szu et al.	74/89.37
D458,284	S *	6/2002	Landerholm et al.	D15/143
D514,146	S *	1/2006	Haneball	D15/143
D577,753	S *	9/2008	Lund et al.	D15/143
D589,991	S *	4/2009	Chen	D15/143
D594,487	S *	6/2009	Lund et al.	D15/143
D595,753	S *	7/2009	Tseng	D15/143
D596,652	S *	7/2009	Roither et al.	D15/143
2005/0264109	A1 *	12/2005	Abrahamsen	310/20

* cited by examiner

Primary Examiner—Patricia Palasik

(74) *Attorney, Agent, or Firm*—Chun-Ming Shih; HDLS IPR Services

(57) **CLAIM**

The ornamental design for an electric cylinder, as shown and described.

DESCRIPTION

FIG. 1 is a top, left, front, perspective view of an electric cylinder showing my new design;

FIG. 2 is a front view thereof;

FIG. 3 is a rear view thereof;

FIG. 4 is a left side view thereof;

FIG. 5 is a right side view thereof;

FIG. 6 is a top view thereof;

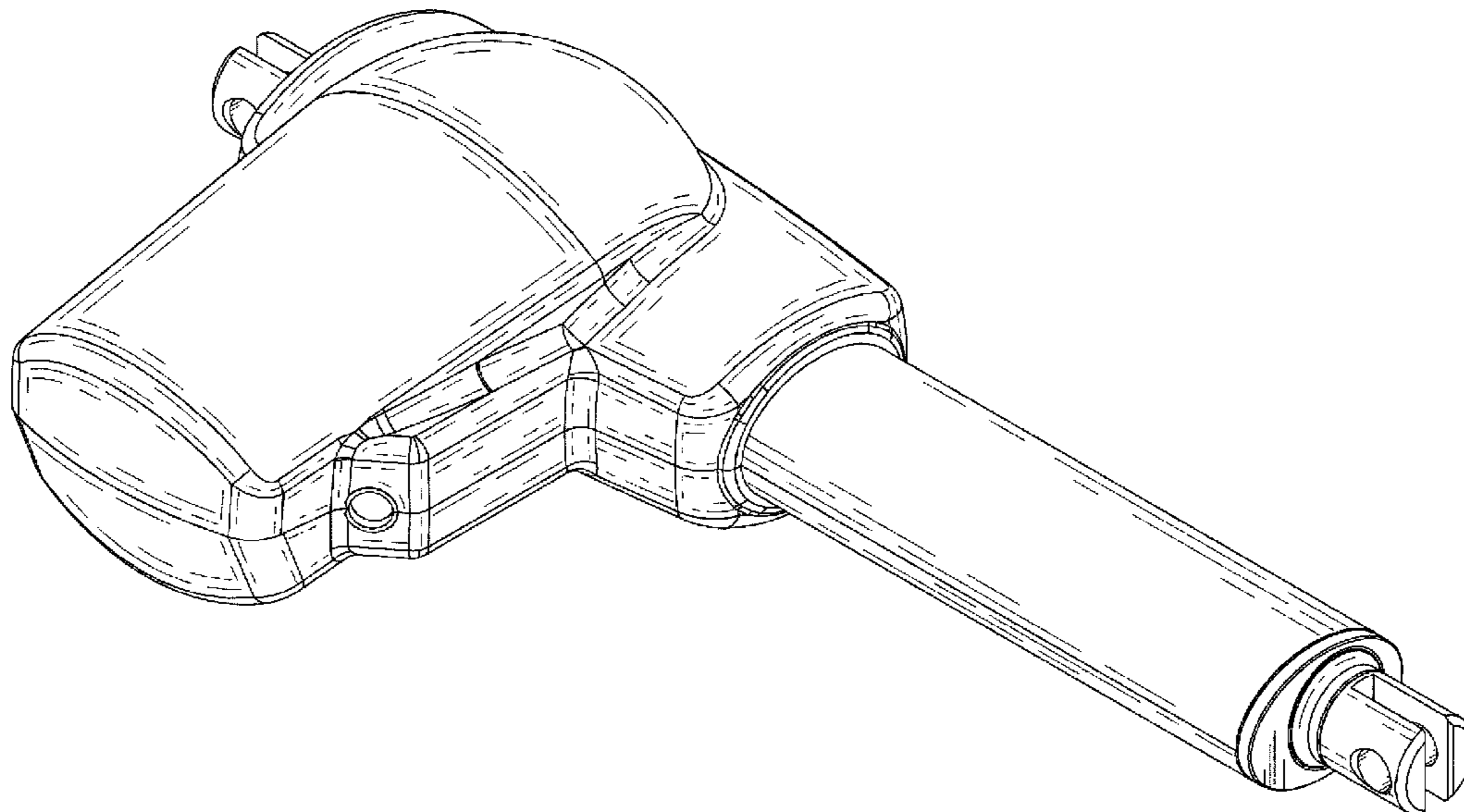
FIG. 7 is a bottom view thereof.

FIG. 8 is a bottom, right, back, perspective view showing the electric cylinder.

FIG. 9 is a bottom, left, back, perspective view showing the electric cylinder; and,

FIG. 10 is a bottom, left, front, perspective view showing the electric cylinder.

1 Claim, 8 Drawing Sheets



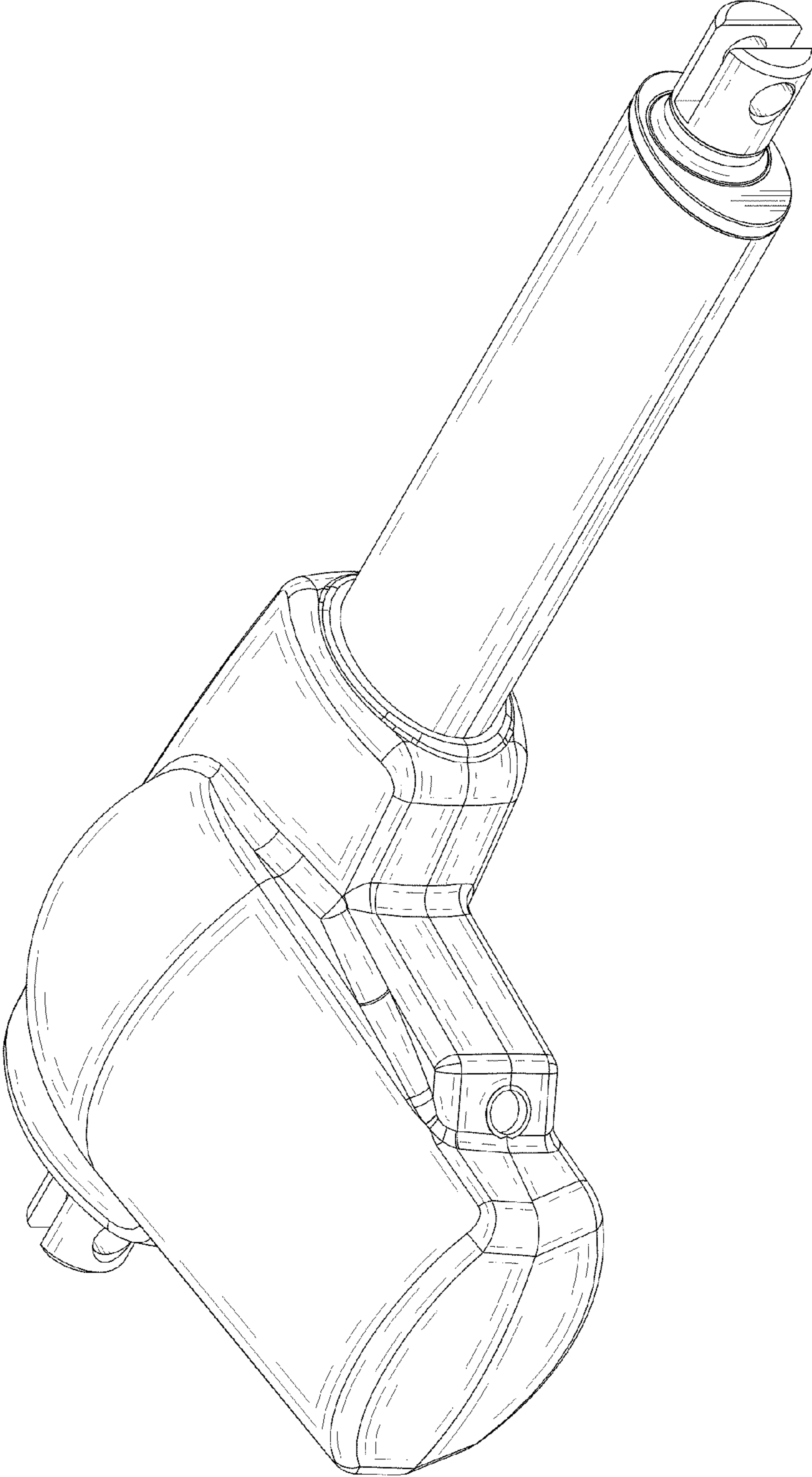


FIG.1

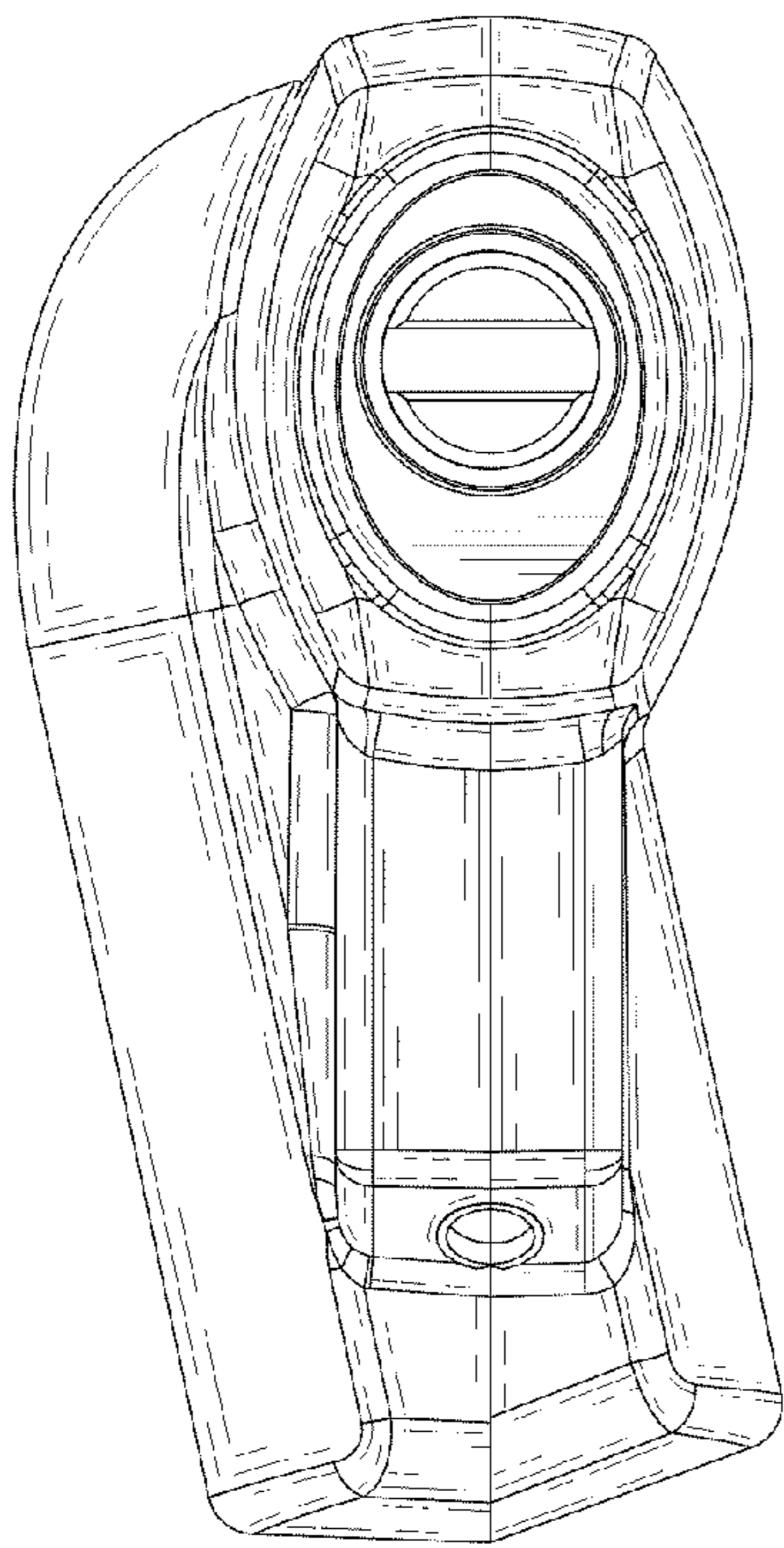


FIG. 2

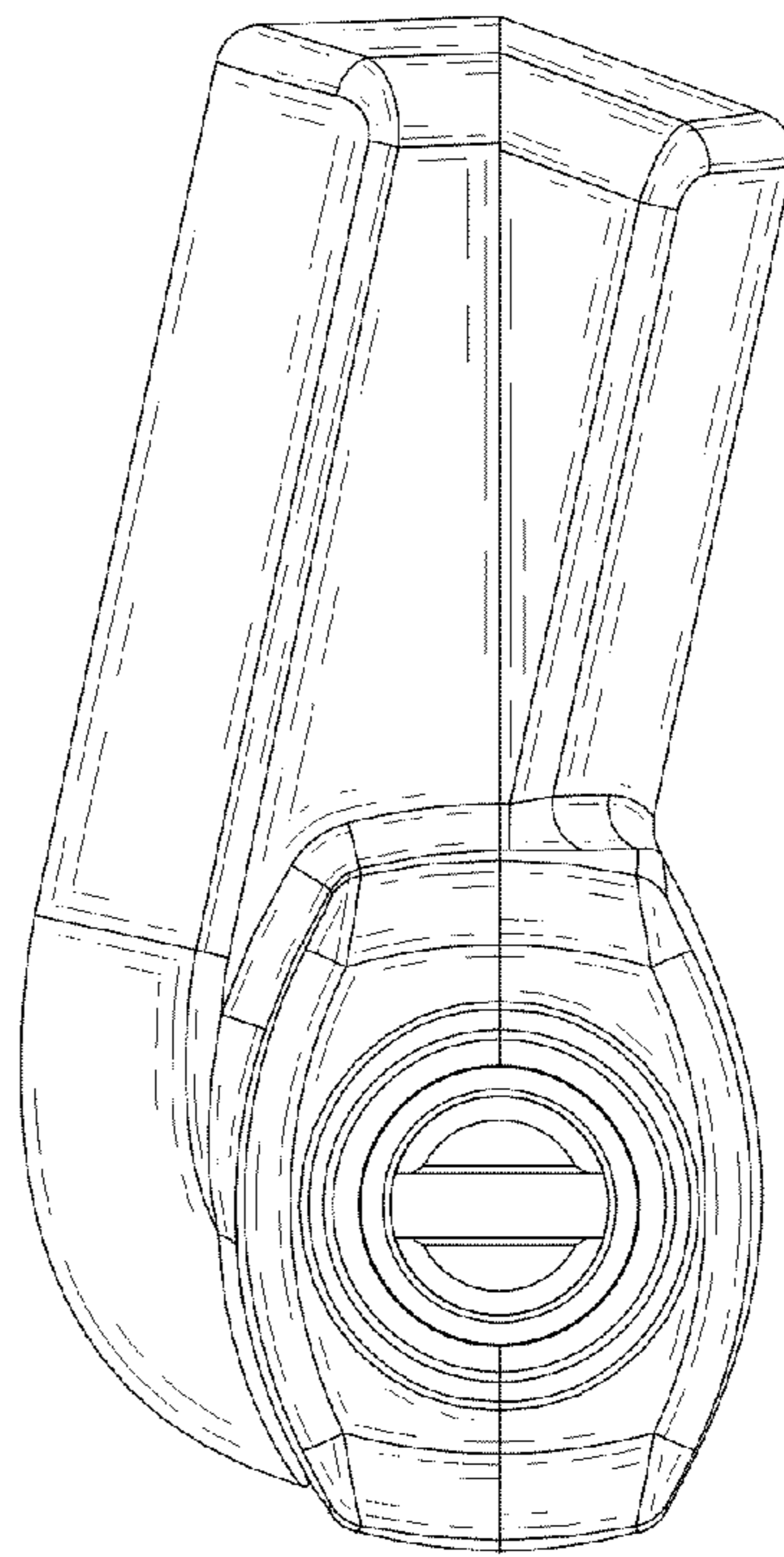


FIG. 3

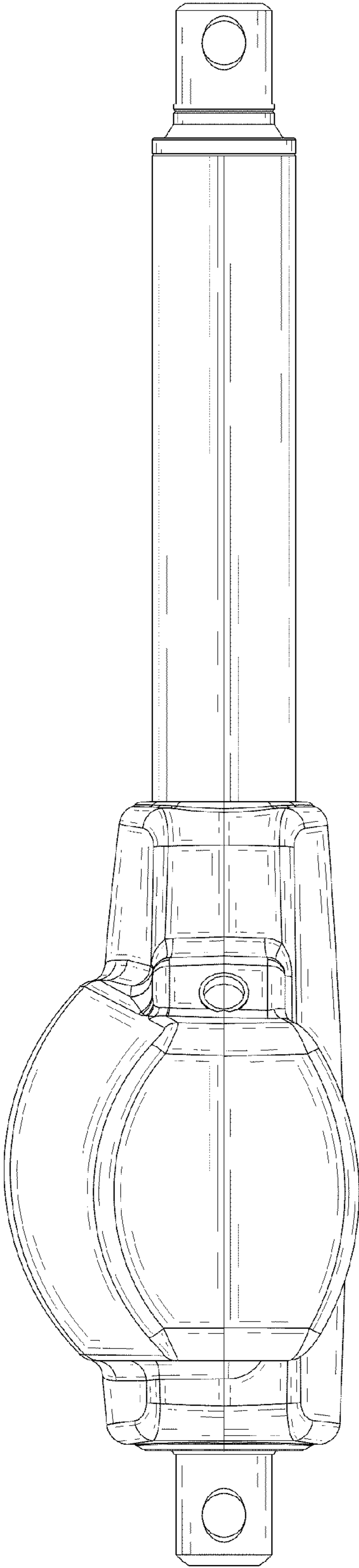


FIG.4

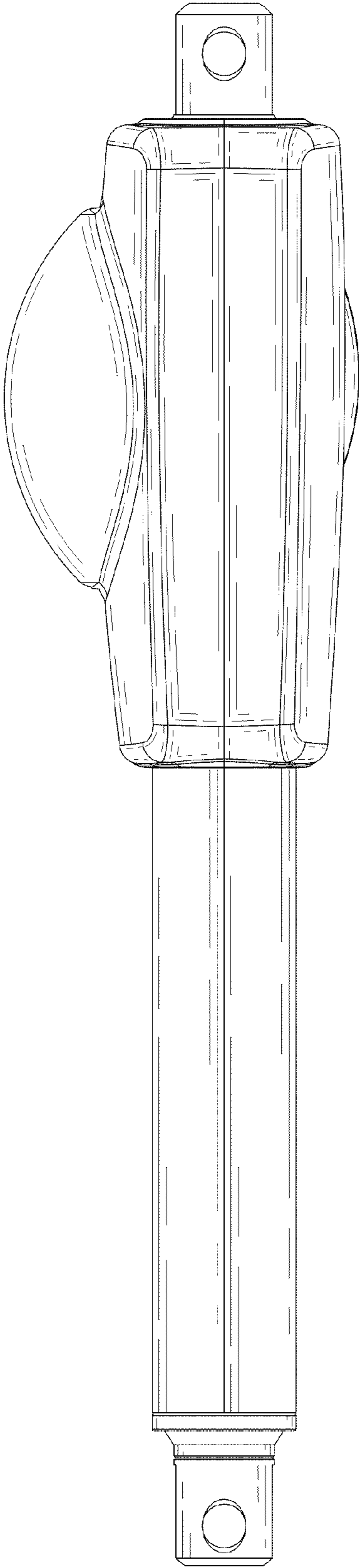


FIG.5

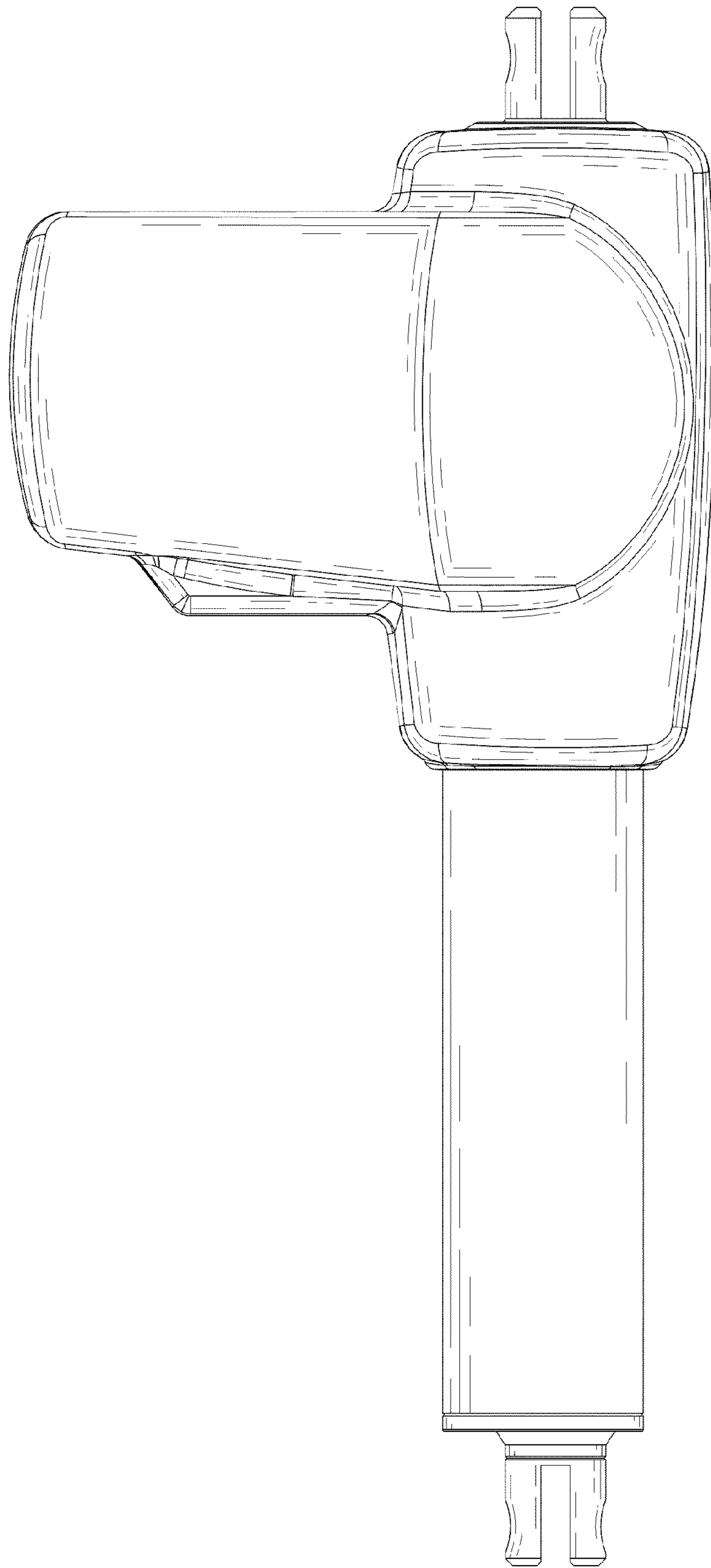


FIG.6

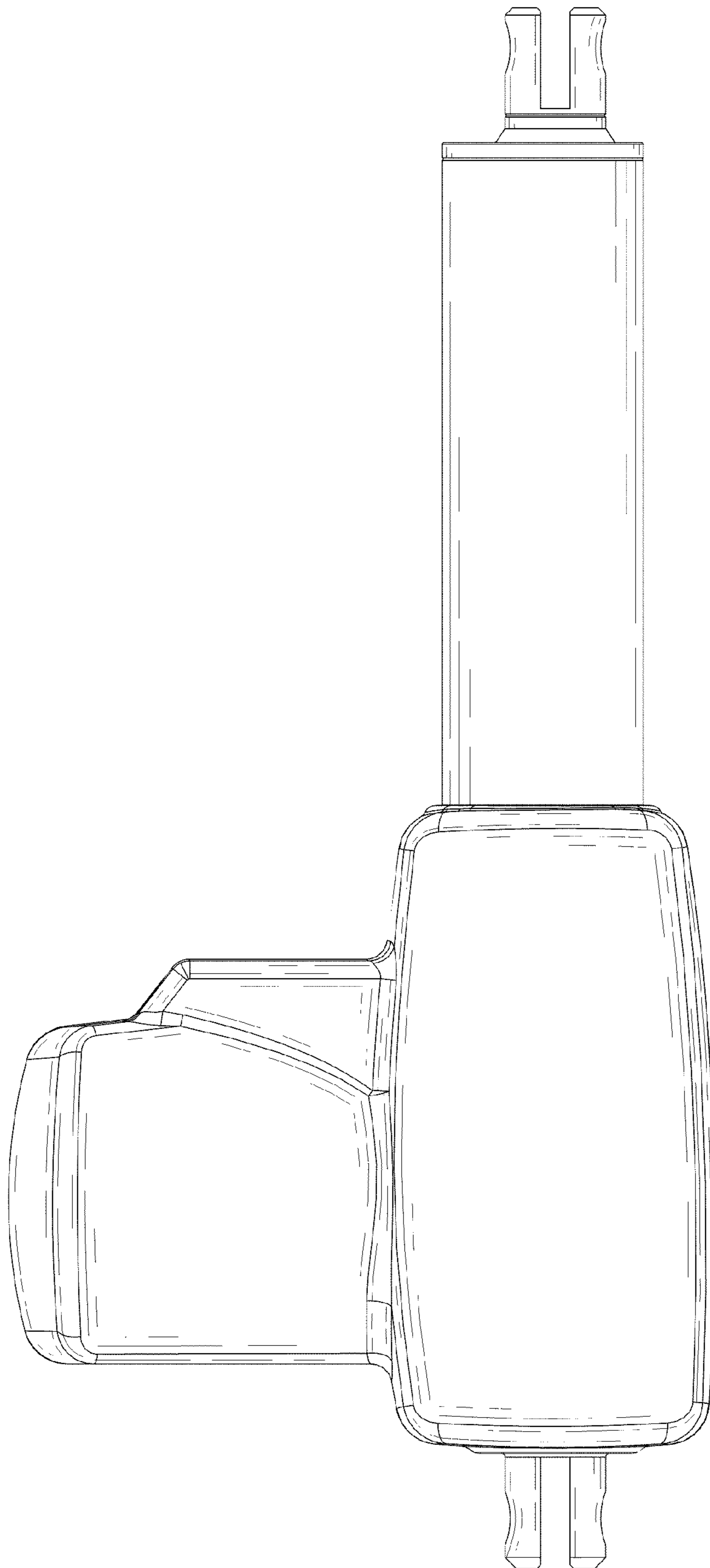


FIG.7

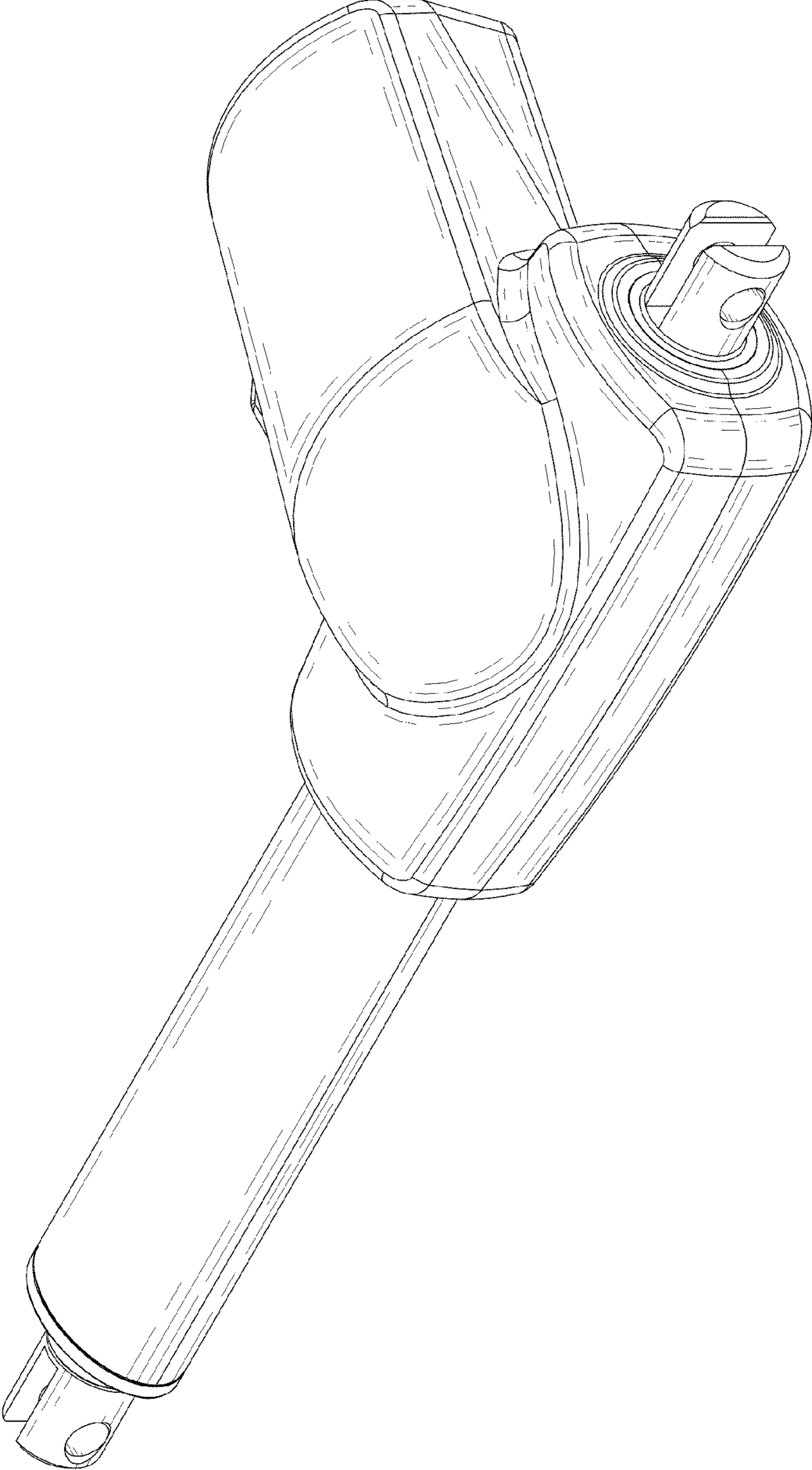


FIG.8

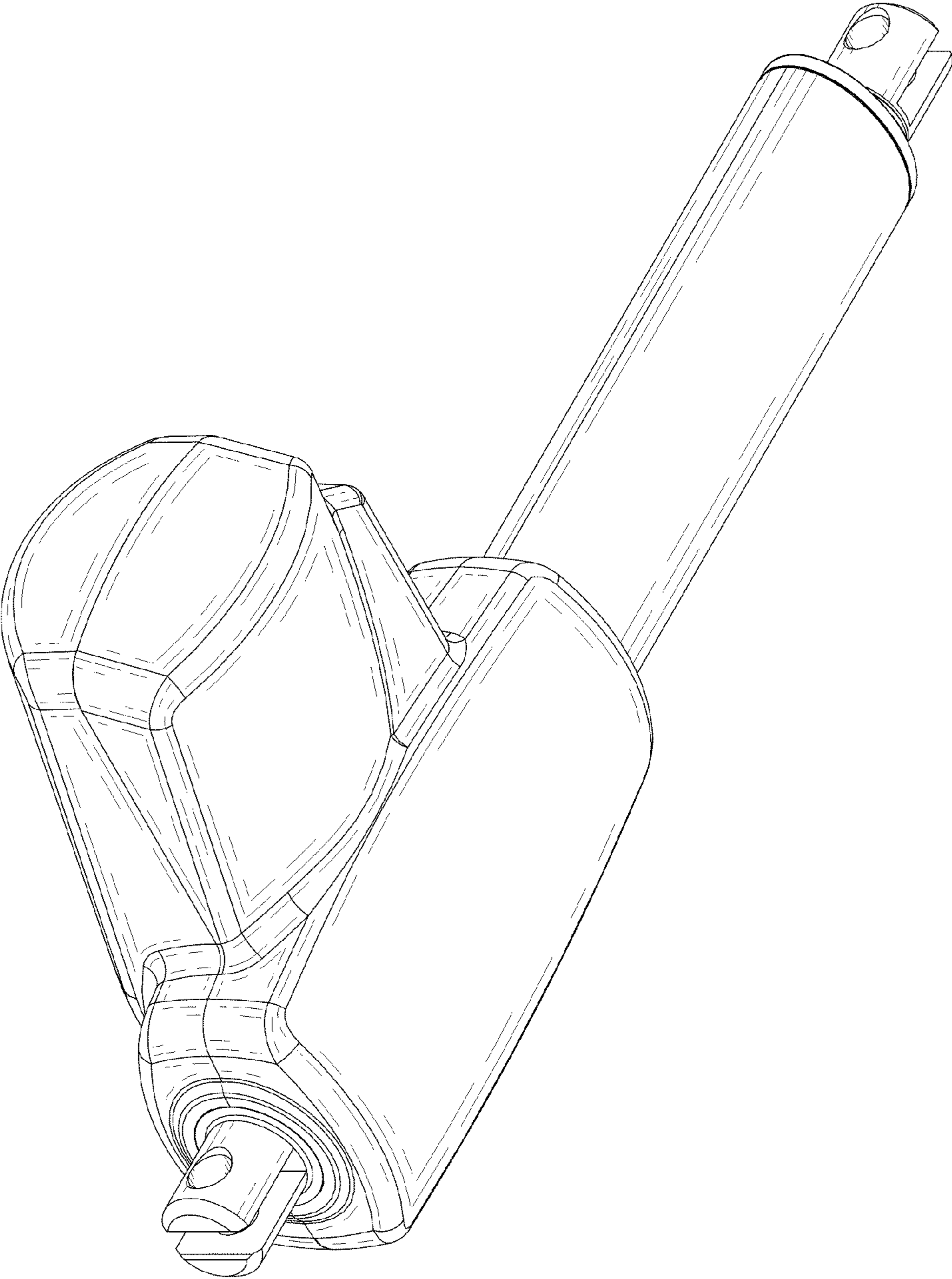


FIG.9

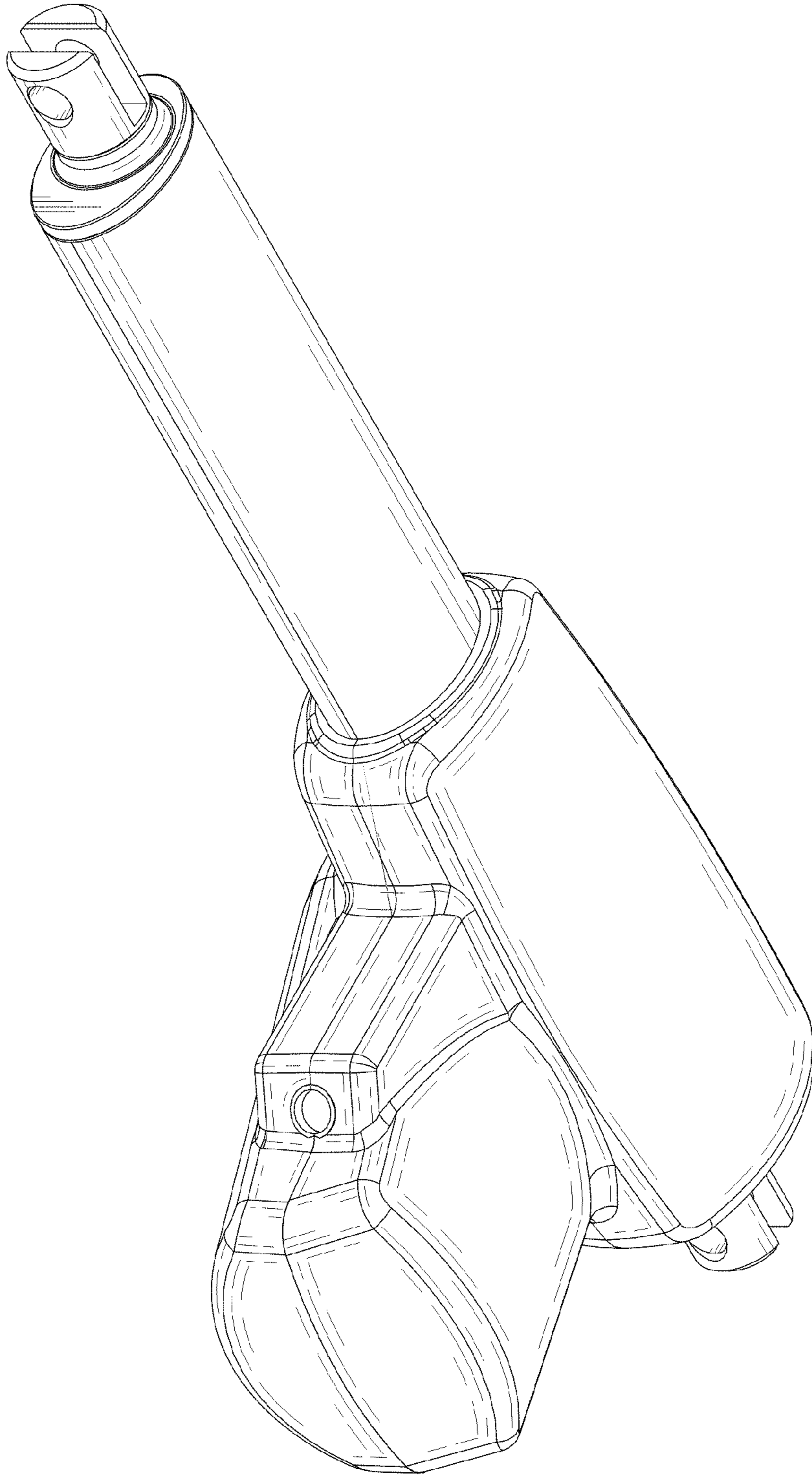


FIG.10