



US00D632318S

(12) **United States Design Patent**  
**Sindlinger**

(10) **Patent No.:** **US D632,318 S**

(45) **Date of Patent:** **\*\* Feb. 8, 2011**

(54) **BENCH RIVETER**

(75) Inventor: **Steven K. Sindlinger**, Apple Creek, OH  
(US)

(73) Assignee: **Weaver Leather, LLC**, Mt. Hope, OH  
(US)

(\*\*) Term: **14 Years**

(21) Appl. No.: **29/375,538**

(22) Filed: **Sep. 23, 2010**

(51) **LOC (9) Cl.** ..... **15-09**

(52) **U.S. Cl.** ..... **D15/128**

(58) **Field of Classification Search** ..... D8/68;  
D15/122, 128; 29/34 B, 243.53, 243, 54,  
29/407.09, 524.1, 525.06; 72/455; 227/51,  
227/61, 62

See application file for complete search history.

(56) **References Cited**

**U.S. PATENT DOCUMENTS**

1,783,445	A *	12/1930	Olson et al.	.....	29/34 B
1,808,041	A *	6/1931	Johnson, Jr. et al.	.....	29/34 B
3,747,193	A *	7/1973	Gregory	.....	29/243.53
D233,911	S *	12/1974	Marsh	.....	D15/123
D253,892	S *	1/1980	Humphreys	.....	D15/128
D274,186	S *	6/1984	Asai et al.	.....	D15/122
6,964,094	B2 *	11/2005	Kondo	.....	29/798
7,290,431	B1 *	11/2007	Spivak	.....	72/452.8
D599,383	S *	9/2009	Tsai	.....	D15/128
2003/0121133	A1 *	7/2003	Yagawa	.....	29/243.53
2006/0090320	A1 *	5/2006	Matthews et al.	.....	29/407.09

2008/0178454 A1 \* 7/2008 Morris et al. .... 29/432.2

**OTHER PUBLICATIONS**

<http://www.hansonrivet.com/w79.htm>, Model 915-1 Bench Riveter,  
2 Pages, 2008.

\* cited by examiner

*Primary Examiner*—Patricia Palasik

(74) *Attorney, Agent, or Firm*—Sand & Sebolt

(57) **CLAIM**

The ornamental design for a bench riveter, as shown and described.

**DESCRIPTION**

FIG. 1 is a perspective view of a bench riveter in accordance with the present invention;

FIG. 2 is a left side view of the bench riveter shown in FIG. 1;

FIG. 3 is a right side view thereof;

FIG. 4 is a top view thereof;

FIG. 5 is a bottom view thereof;

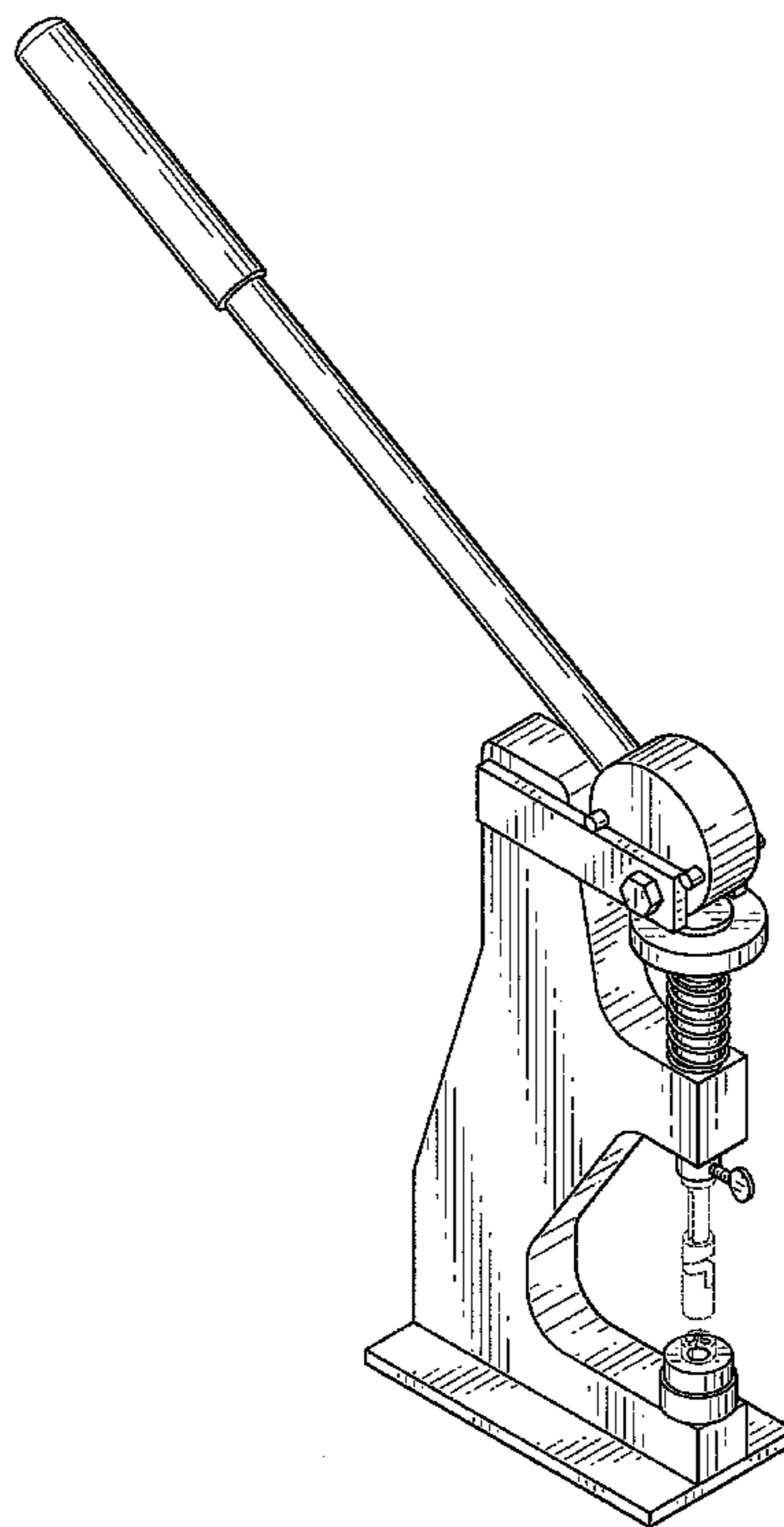
FIG. 6 is a front view thereof; and,

FIG. 7 is a rear view thereof.

The bench riveter is designed to be placed on a workbench and the handle rotated to move a driver downwardly to install a rivet retained by an anvil into a workpiece.

The broken lines showing a driver and an anvil used therewith in the drawings depict unclaimed environmental subject matter and form no part of the claimed design.

**1 Claim, 5 Drawing Sheets**



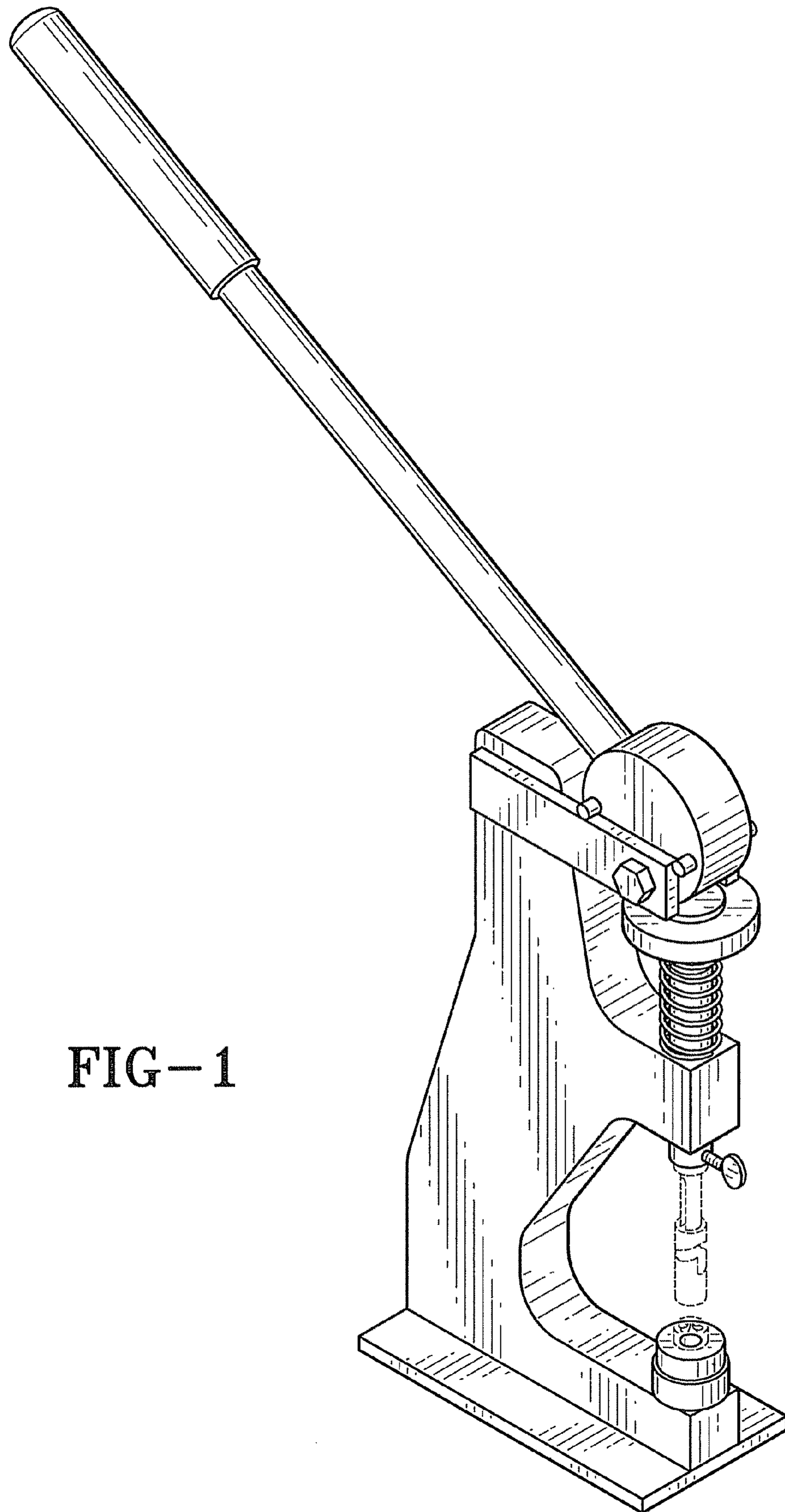


FIG-1

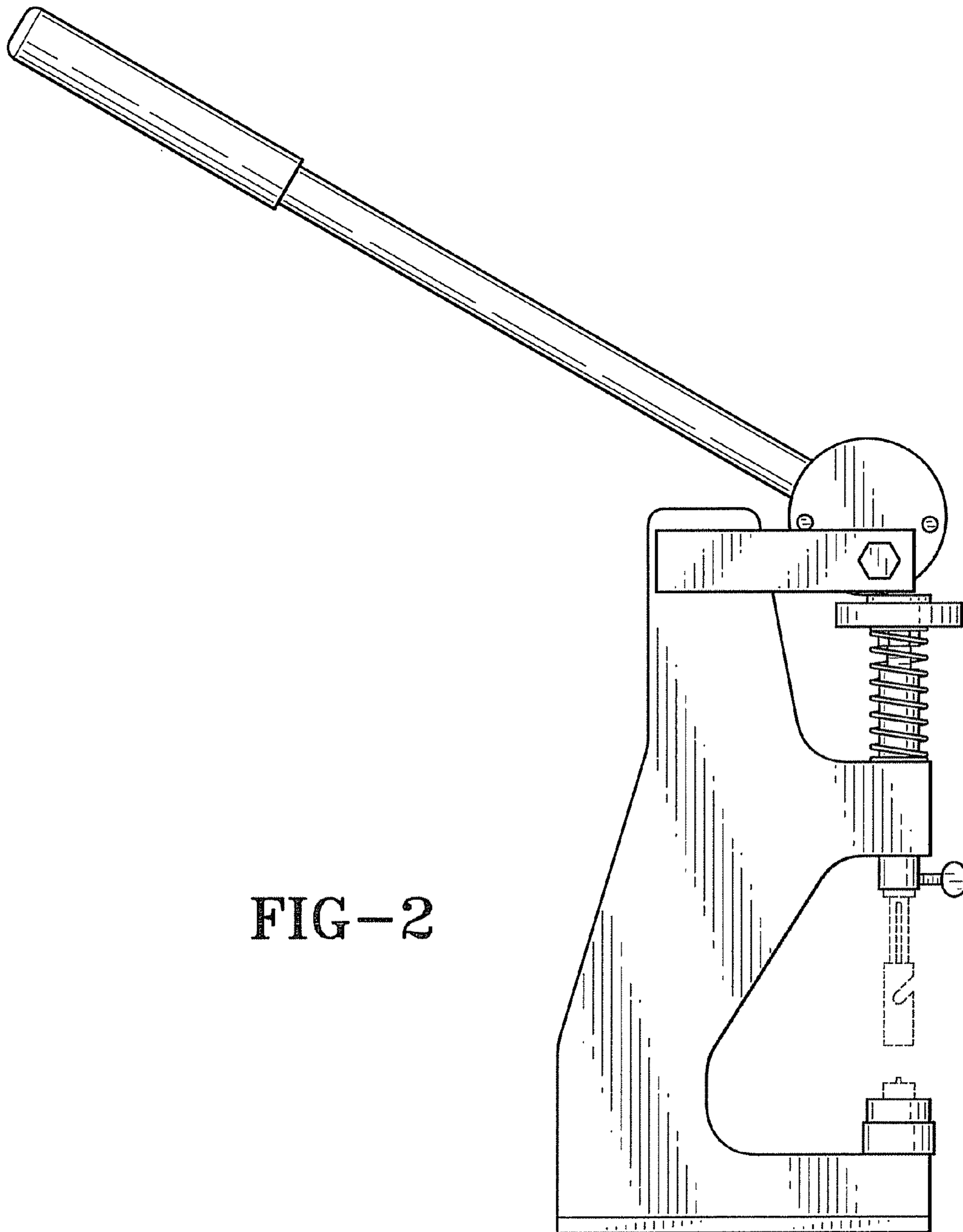


FIG-2

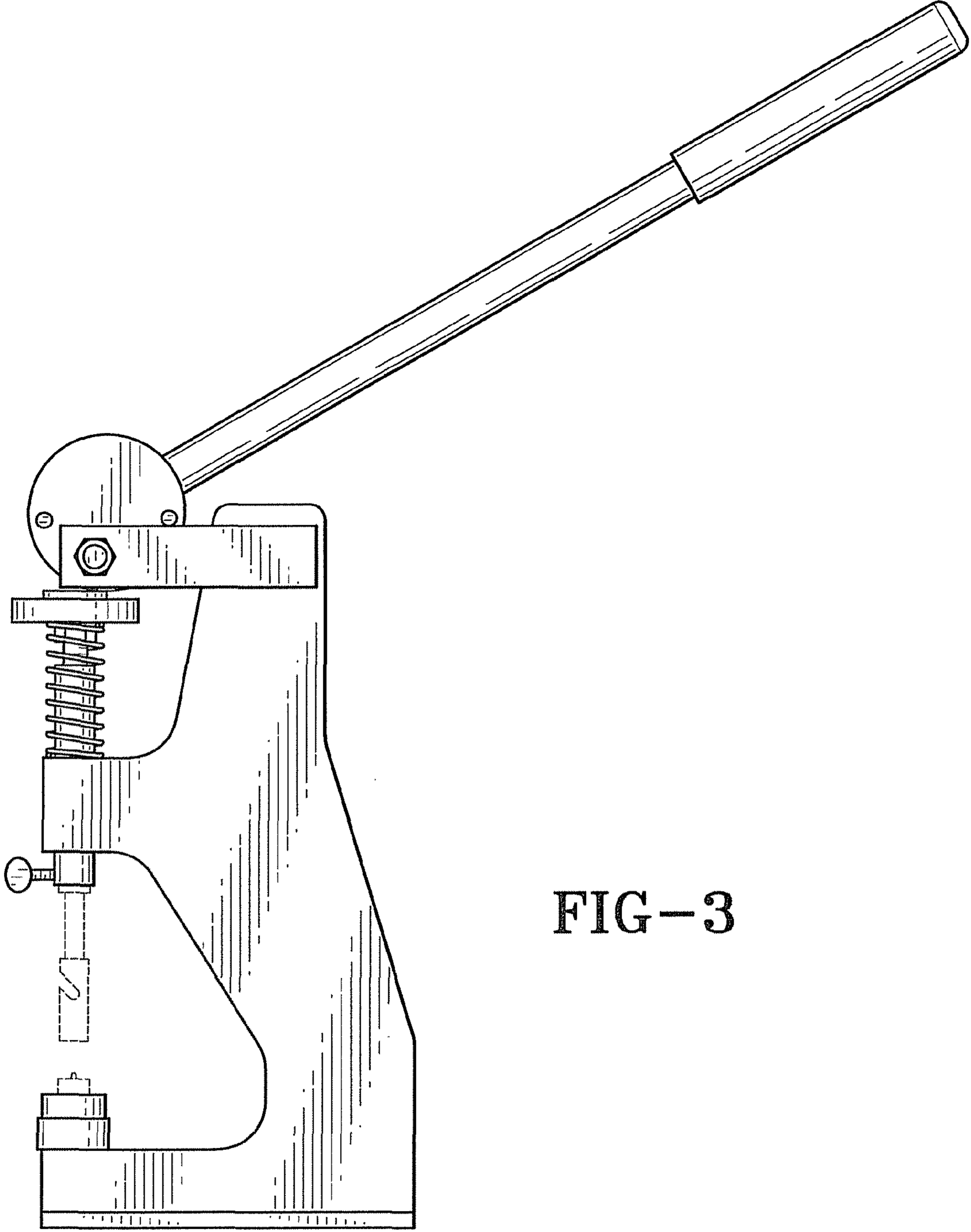


FIG-3



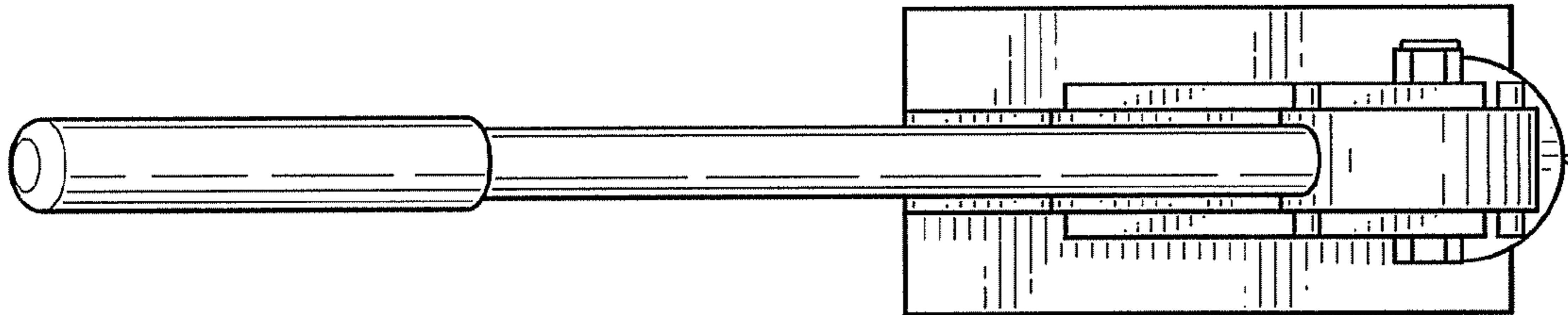


FIG-4

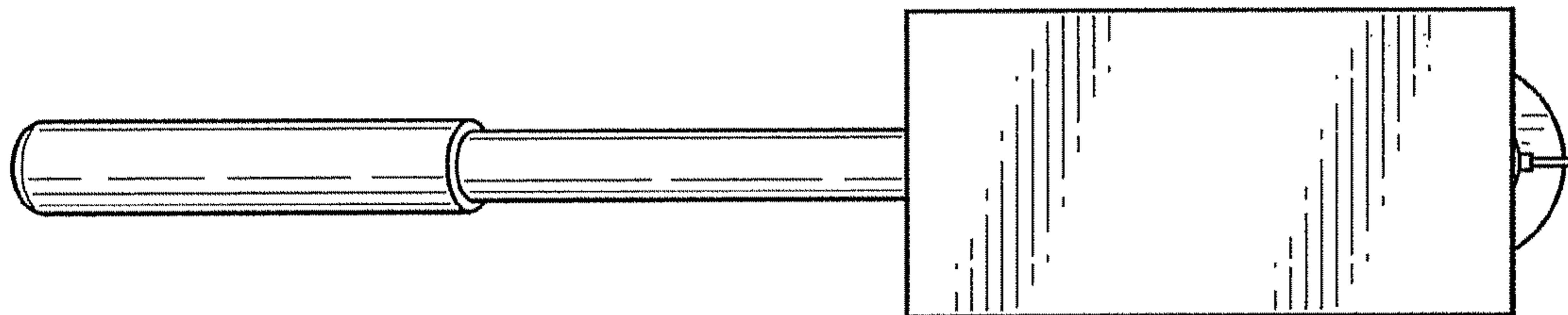


FIG-5

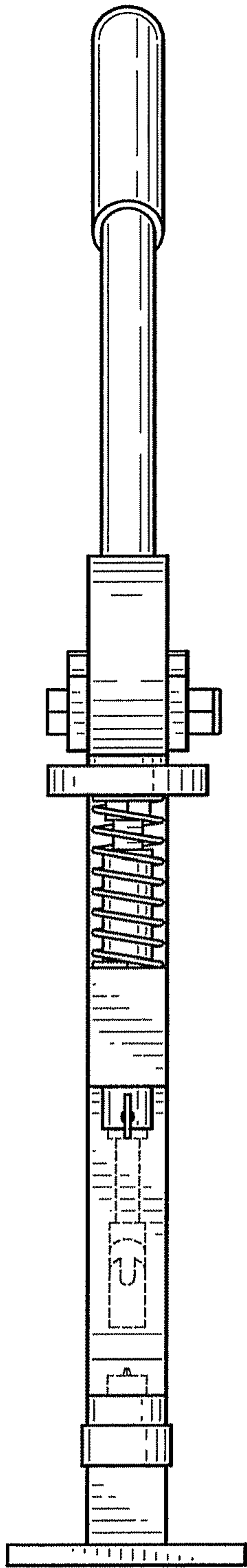


FIG-6

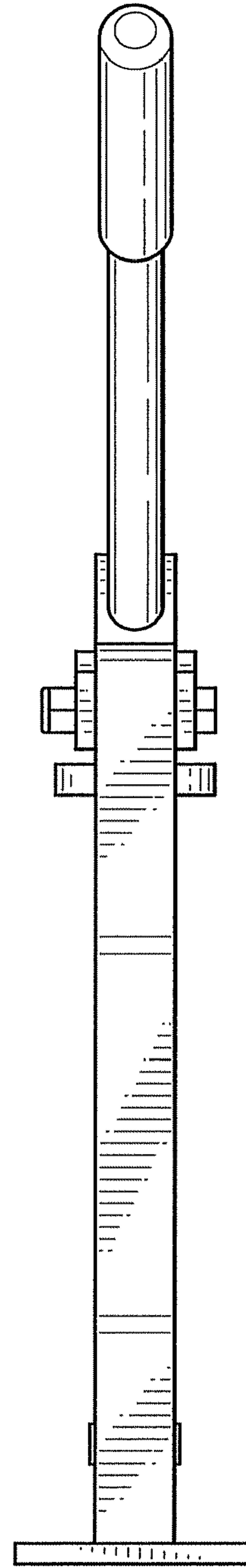


FIG-7