



US00D632317S

(12) **United States Design Patent**
Corcoran et al.

(10) **Patent No.:** **US D632,317 S**

(45) **Date of Patent:** **** Feb. 8, 2011**

(54) **PORTABLE MOTORIZED ROLLER PRESS**

(75) Inventors: **Kevin L. Corcoran**, Mission Viejo, CA (US); **Robert E. Smathers**, Anaheim, CA (US)

(73) Assignee: **Ellison Educational Equipment, Inc.**, Lake Forest, CA (US)

(**) Term: **14 Years**

(21) Appl. No.: **29/370,343**

(22) Filed: **Jul. 1, 2010**

(51) **LOC (9) Cl.** **15-09**

(52) **U.S. Cl.** **D15/125**

(58) **Field of Classification Search** D15/123, D15/128; D18/34.1–34.9, 50, 99; D19/74; 100/176; 101/120, 127.1, 244, 336; 156/495, 156/522, 542, 555–556, 579, DIG. 23, DIG. 33, 156/DIG. 39, DIG. 42, DIG. 48; 242/156, 242/419.9; 452/142

See application file for complete search history.

(56) **References Cited**

U.S. PATENT DOCUMENTS

3,264,978	A *	8/1966	Staley	101/23
4,925,382	A *	5/1990	Bergendahl et al.	425/367
5,542,618	A *	8/1996	Andersen	241/227
D413,203	S *	8/1999	Zurwelle et al.	D3/276
D462,519	S *	9/2002	Gaydos et al.	D3/276
D508,701	S *	8/2005	Corcoran et al.	D15/123
D540,374	S *	4/2007	Corcoran	D18/14
D542,310	S *	5/2007	Corcoran et al.	D15/123
D547,340	S *	7/2007	Ayala et al.	D15/136
D574,423	S *	8/2008	Lee	D18/14
D585,081	S *	1/2009	Corcoran et al.	D15/128
D587,287	S *	2/2009	Corcoran et al.	D15/123
D607,910	S *	1/2010	Corcoran et al.	D15/128

D613,059	S *	4/2010	Horiyama et al.	D3/281
D615,022	S *	5/2010	Schanz et al.	D12/409
2006/0037503	A1 *	2/2006	Winston	101/328
2009/0314868	A1 *	12/2009	Frangenberg et al.	241/278.1

* cited by examiner

Primary Examiner—Patricia Palasik

(74) *Attorney, Agent, or Firm*—Morland C. Fischer

(57) **CLAIM**

The ornamental design for a portable motorized roller press, as shown and described.

DESCRIPTION

FIG. 1 is a perspective view showing the top, front and right side of a portable motorized roller press which forms our new design with rotatable trays at the front and rear thereof rotated to an open position, the broken lines showing finger gripping ridges on a slidable latch in this and FIG. 6 being for illustrative purposes only and forming no part of our design;

FIG. 2 is a left side elevational view thereof;

FIG. 3 is a right side elevational view thereof;

FIG. 4 is a front elevational view thereof;

FIG. 5 is a rear elevational view thereof;

FIG. 6 is a perspective view showing the top, front and right side of the portable motorized roller press shown in FIG. 1 with the rotatable trays at the front and rear thereof rotated to a closed position;

FIG. 7 is a left side elevational view thereof;

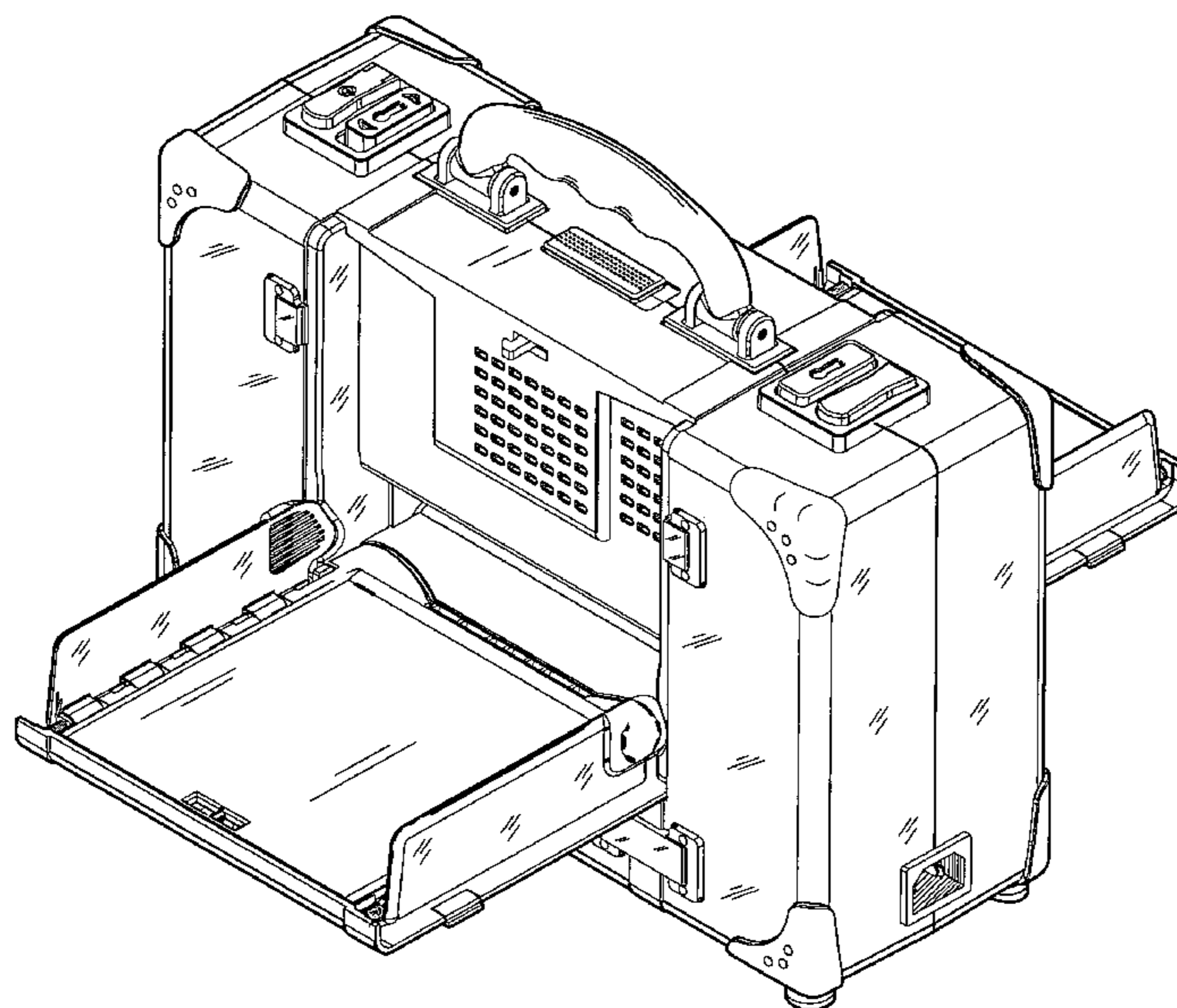
FIG. 8 is a right side elevational view thereof;

FIG. 9 is a front elevational view thereof;

FIG. 10 is a rear elevational view thereof; and,

FIG. 11 is a top plan view thereof.

1 Claim, 7 Drawing Sheets



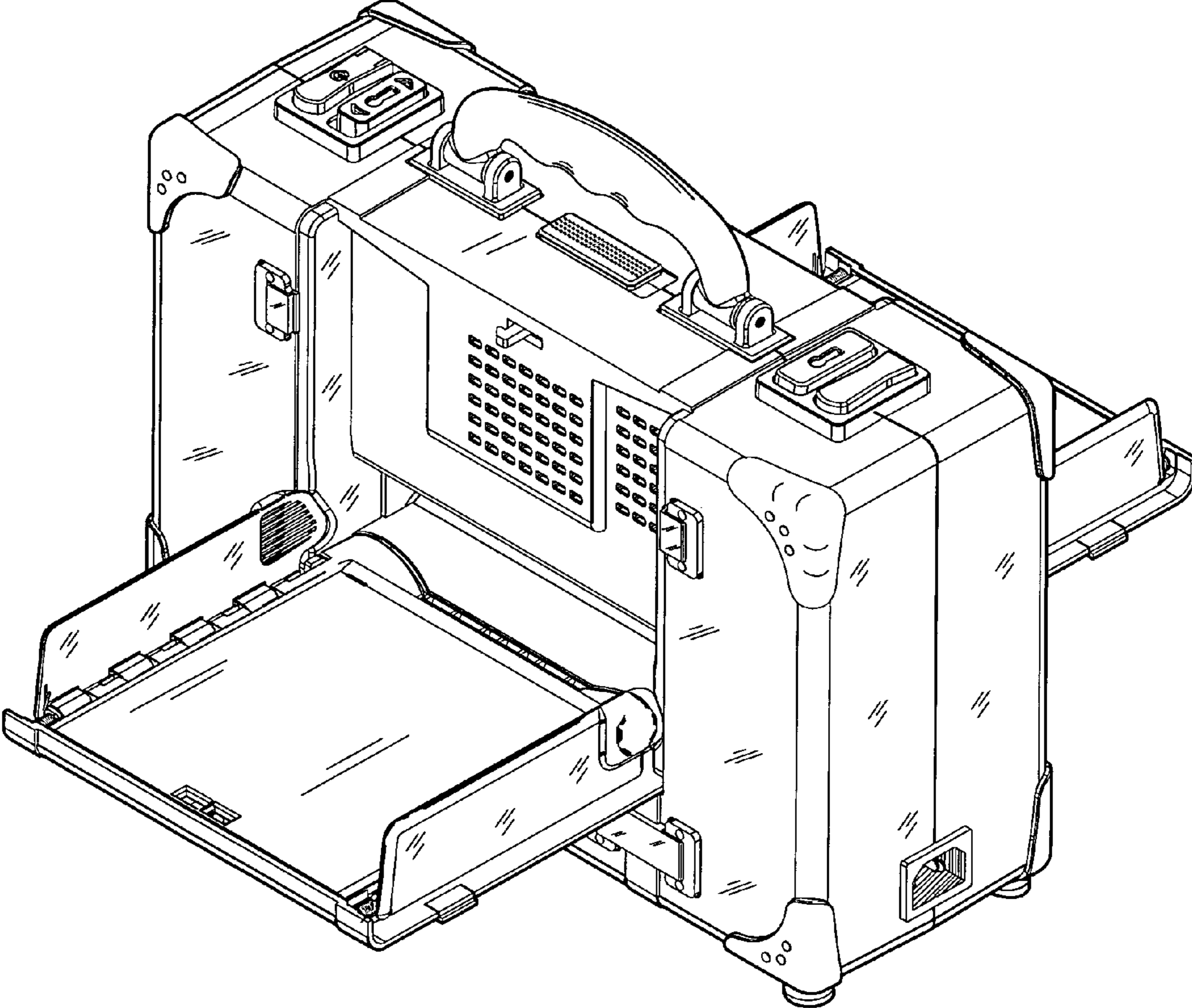


FIG 1

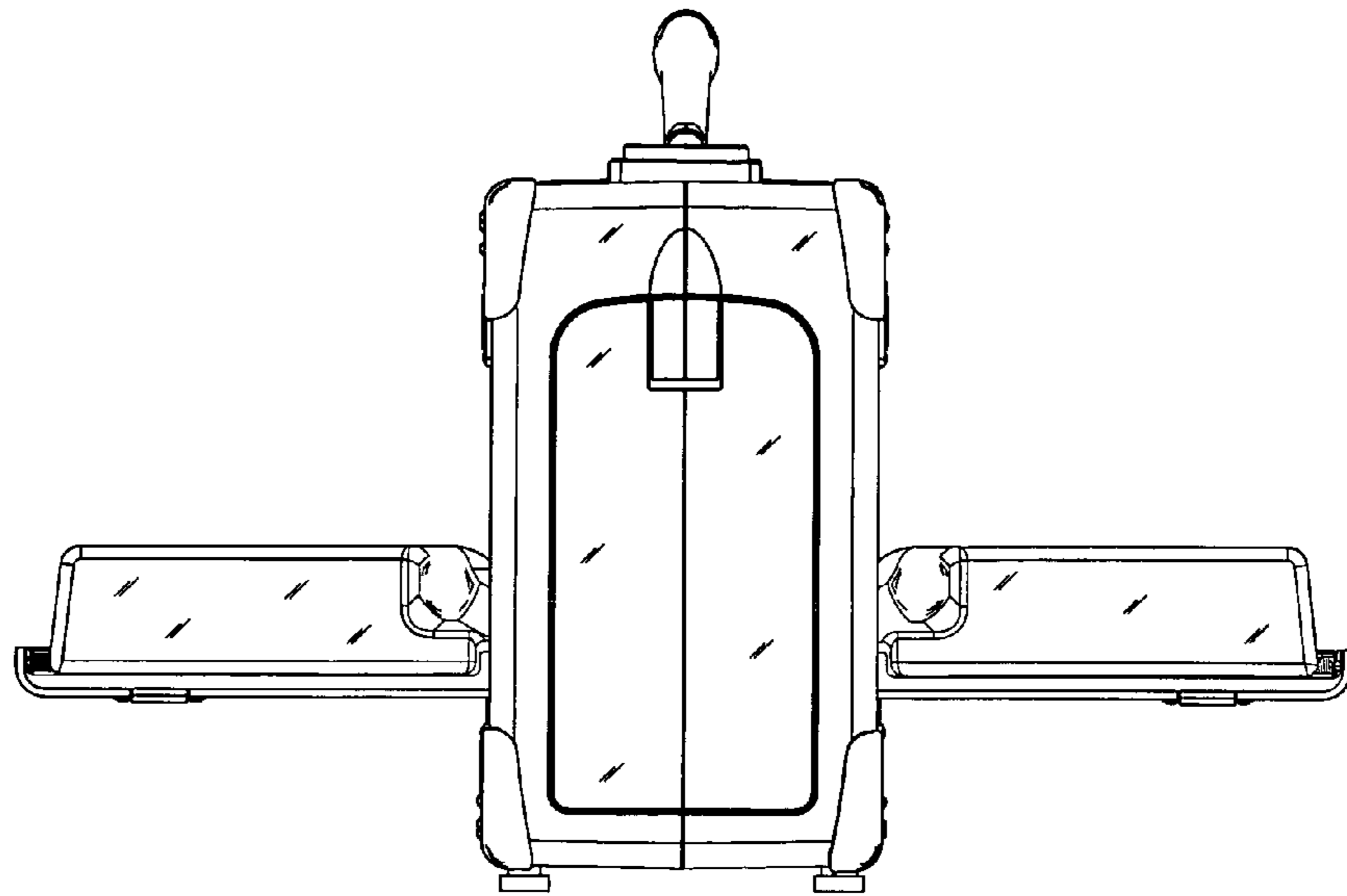


FIG 2

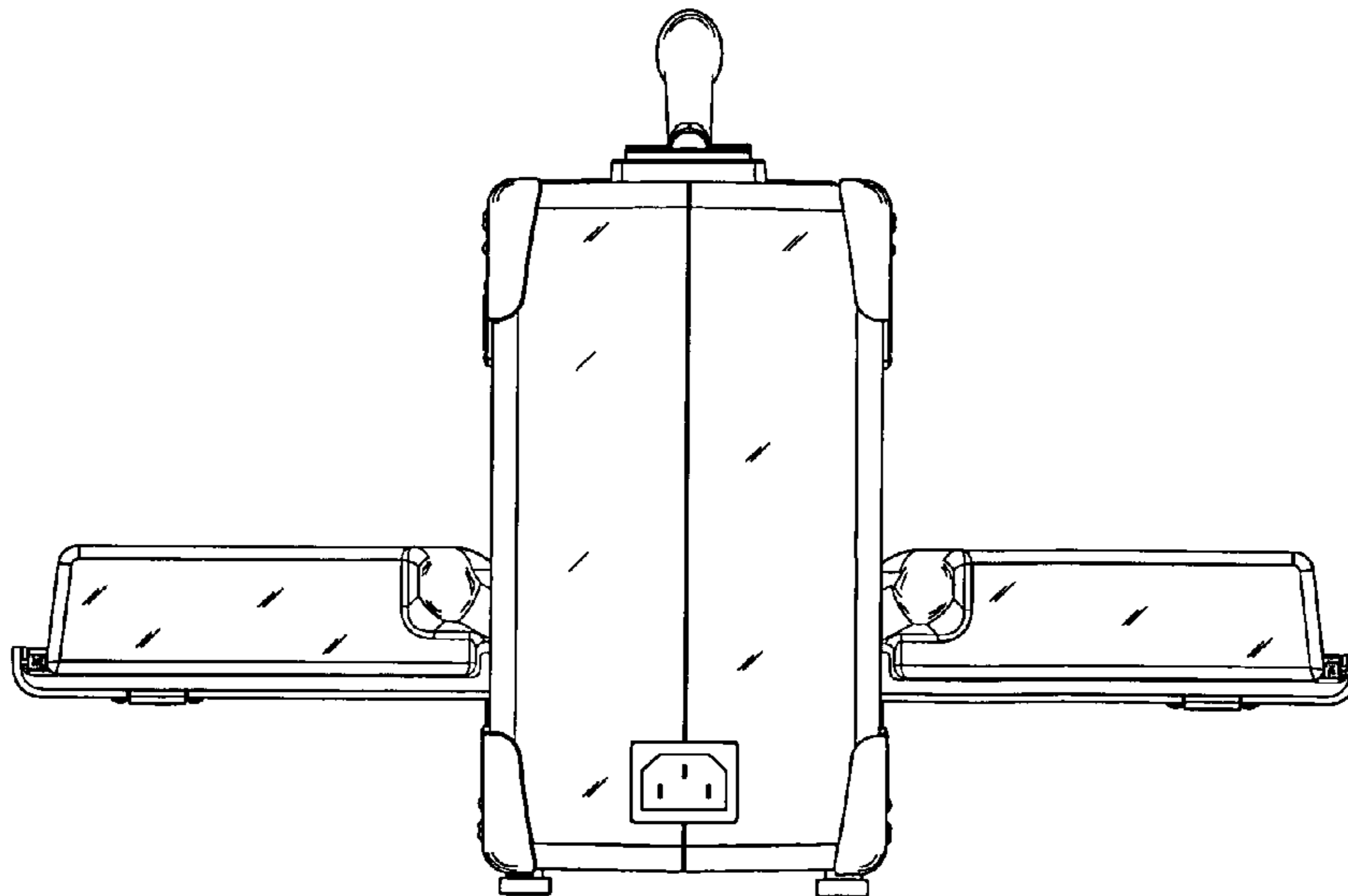


FIG 3

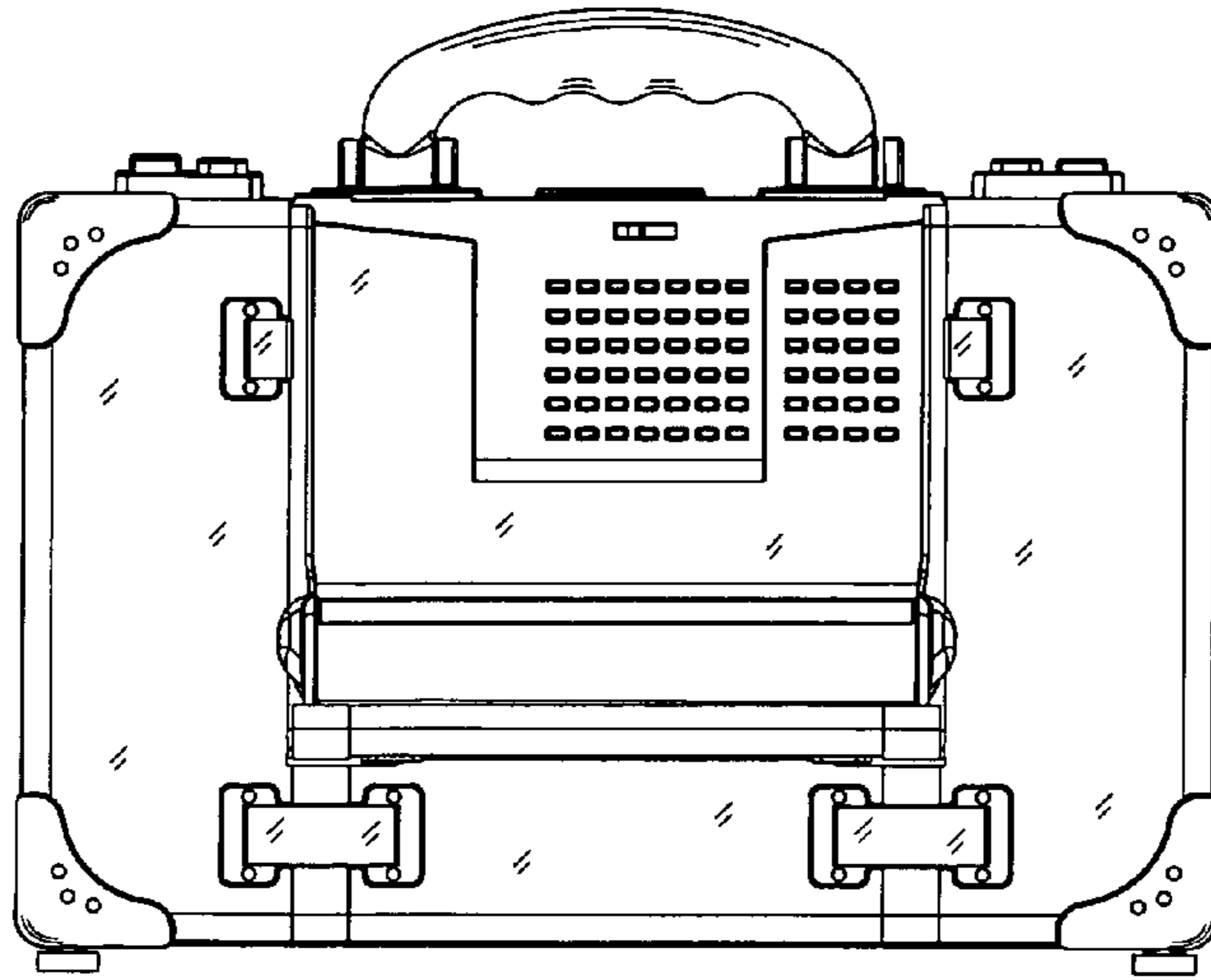


FIG 4

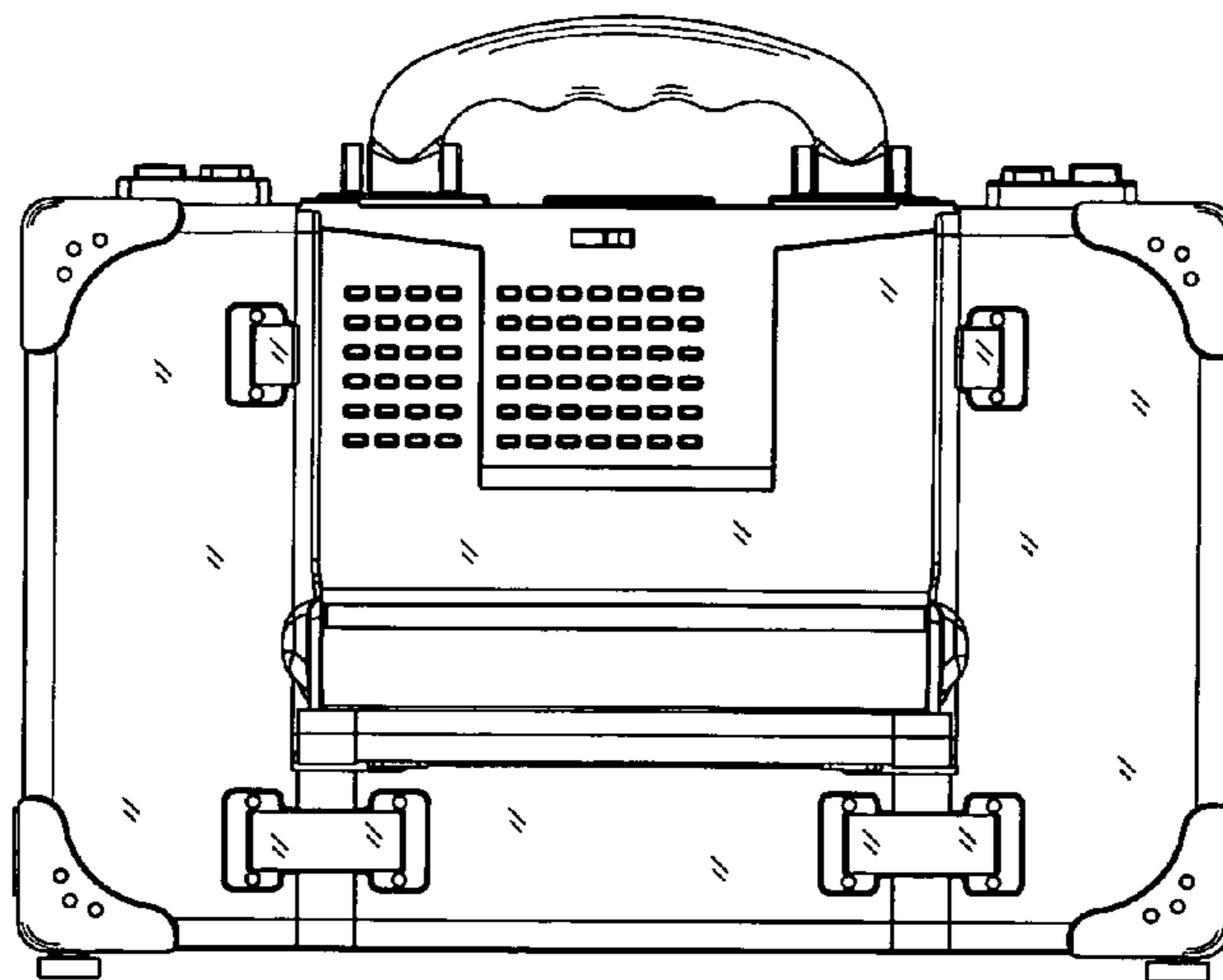


FIG 5

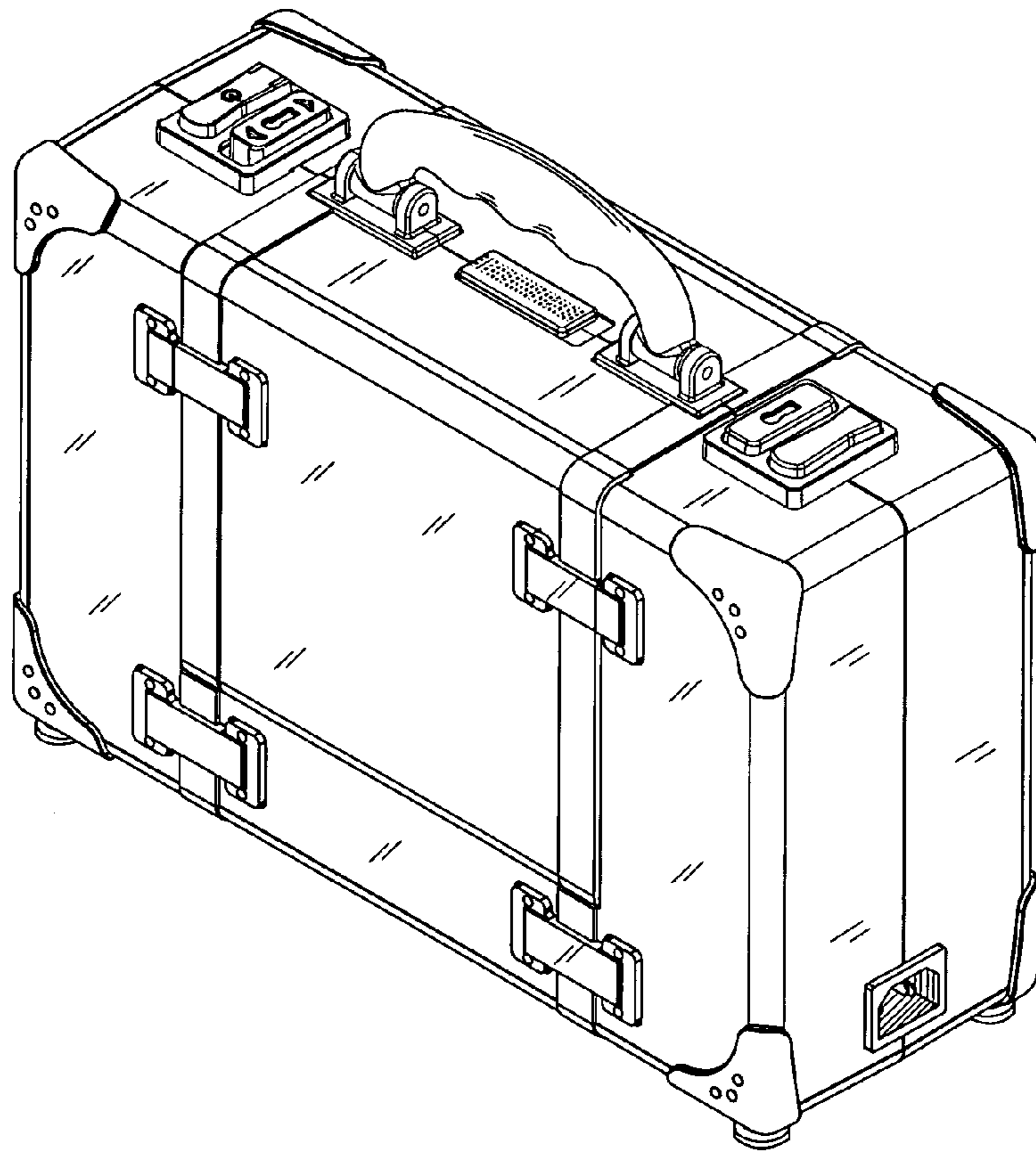


FIG 6

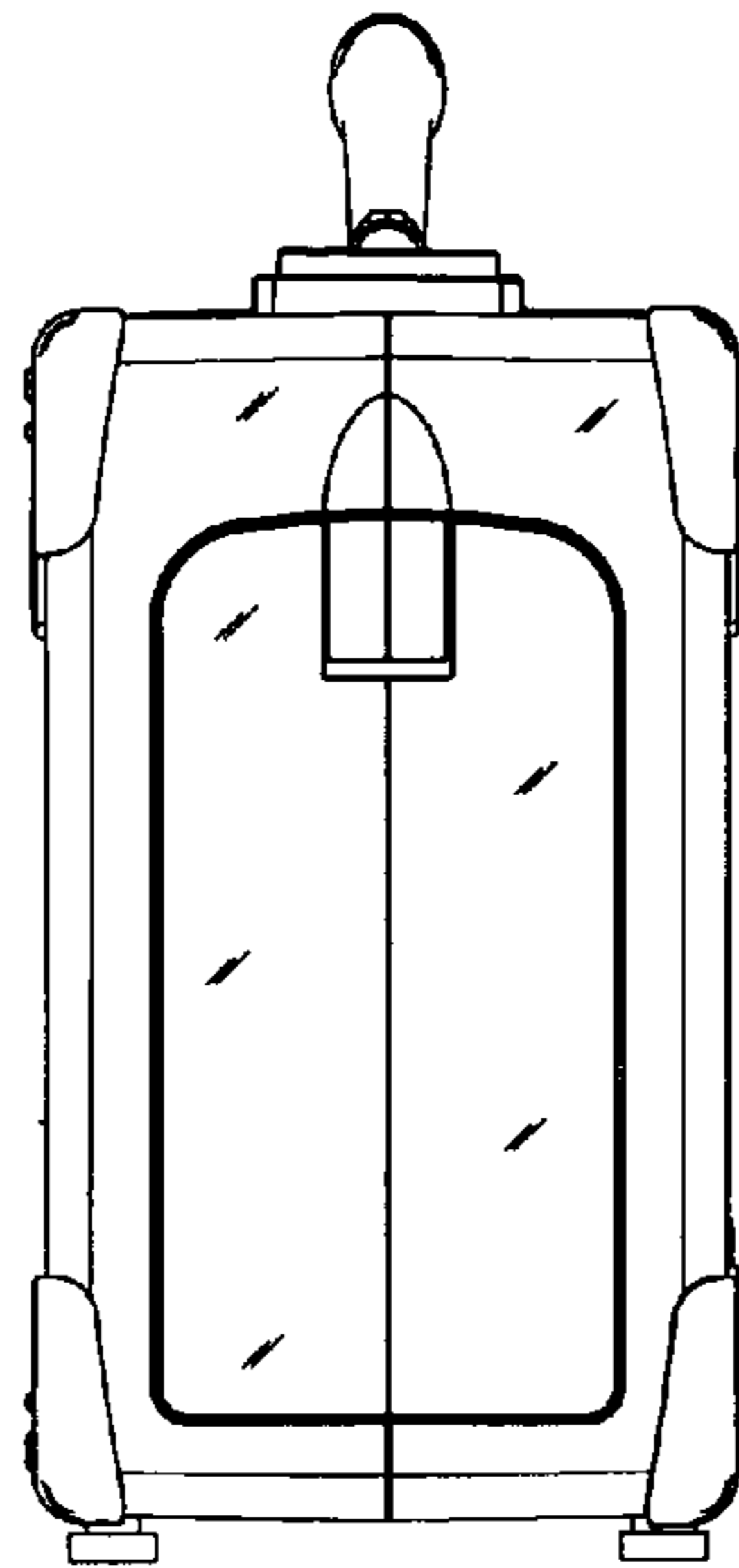


FIG 7

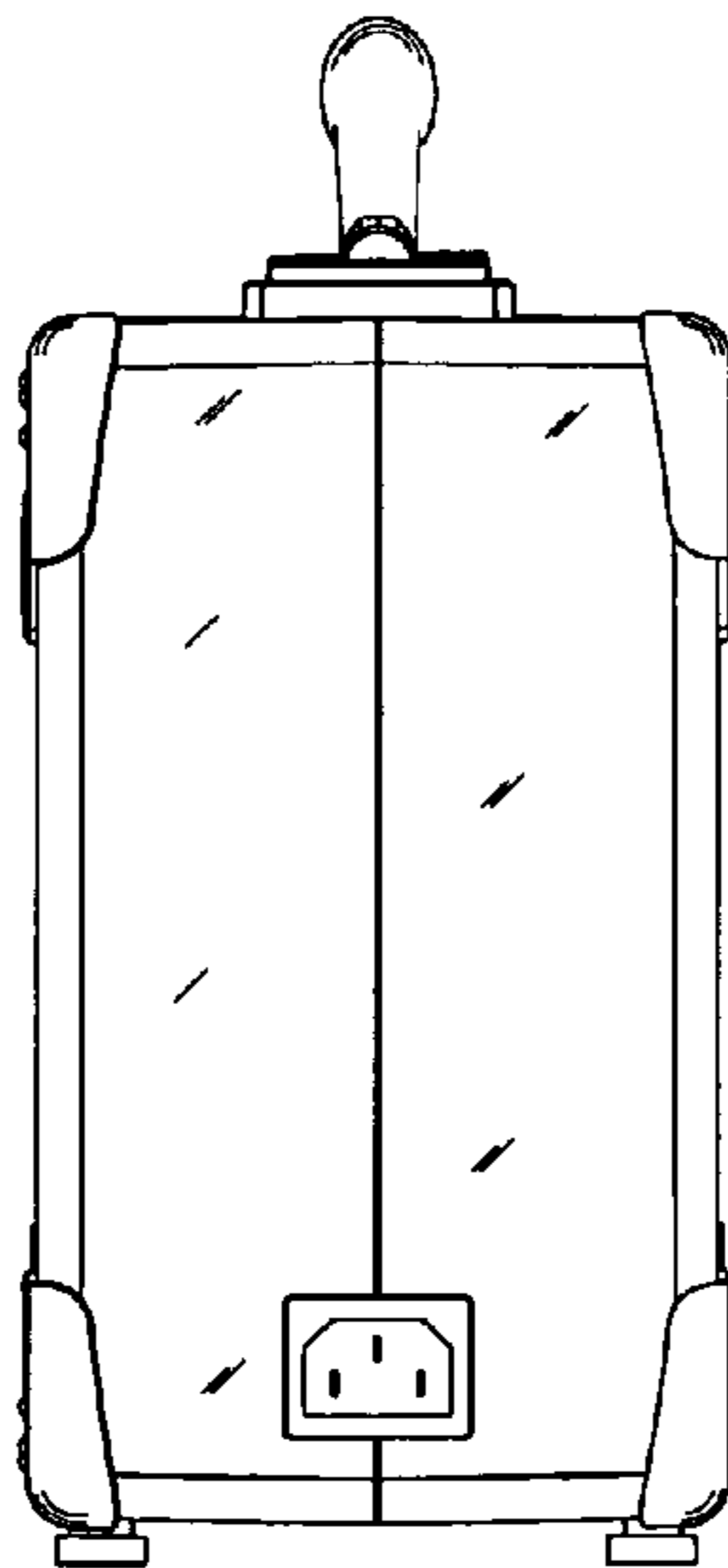


FIG 8

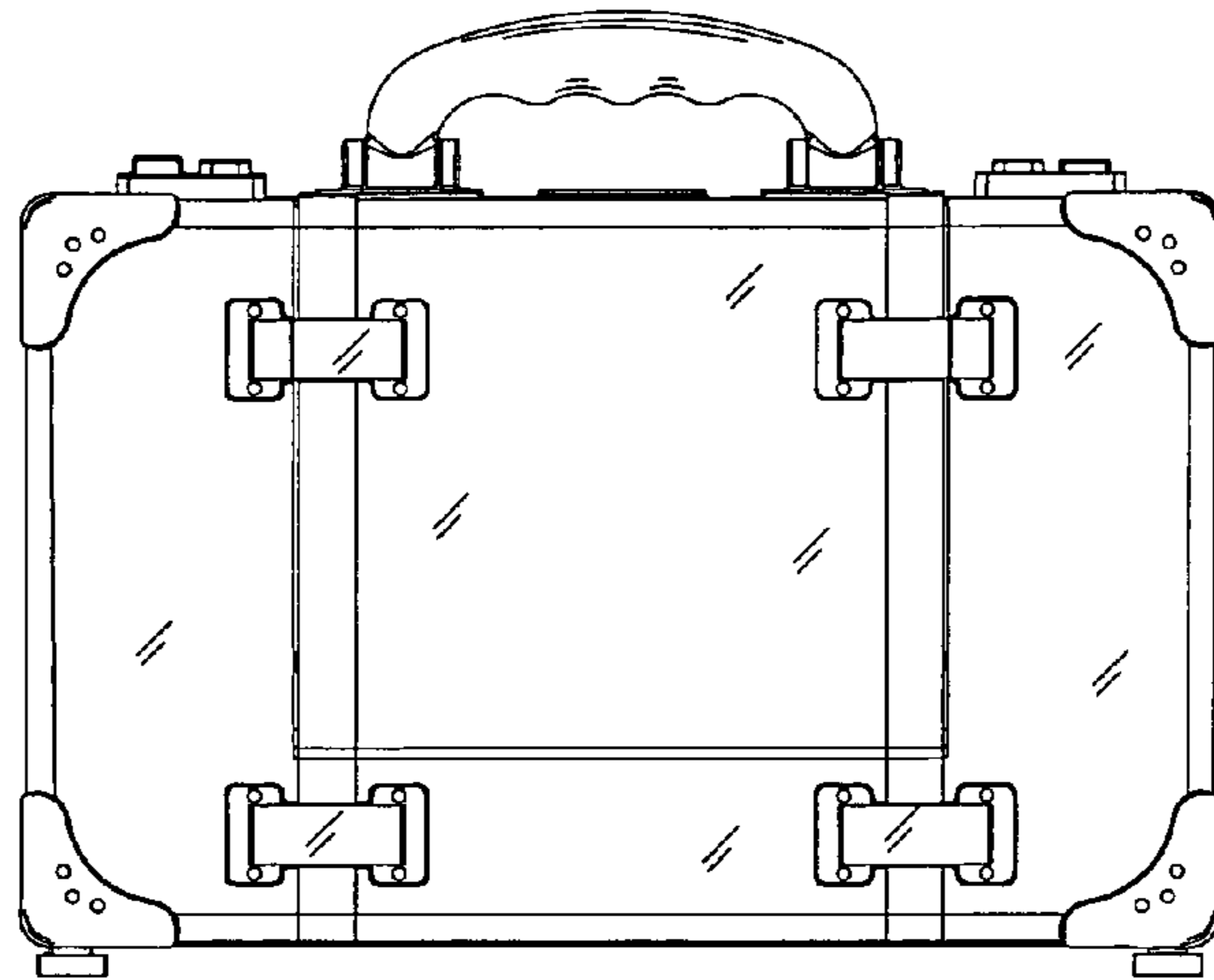


FIG 9

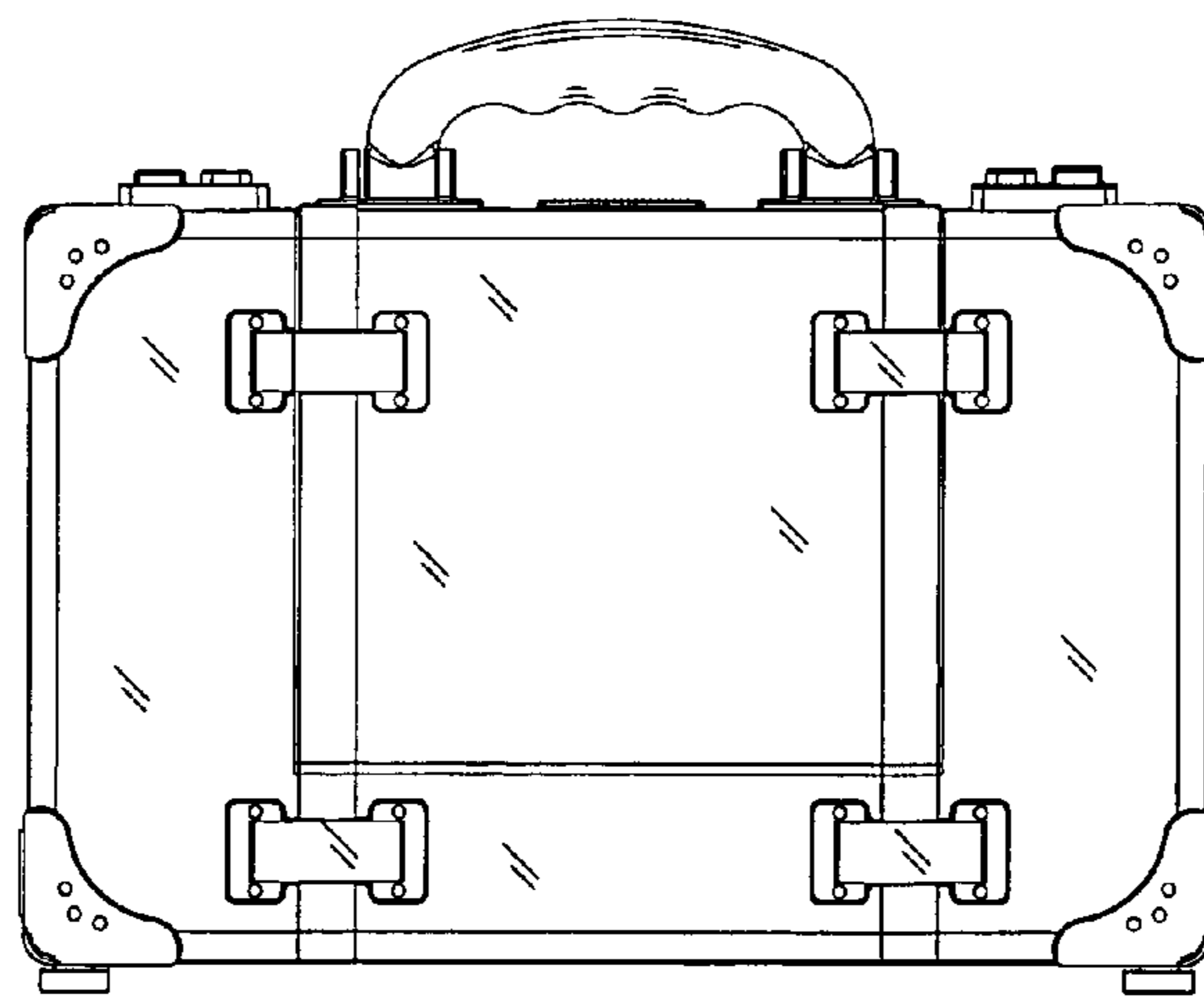


FIG 10

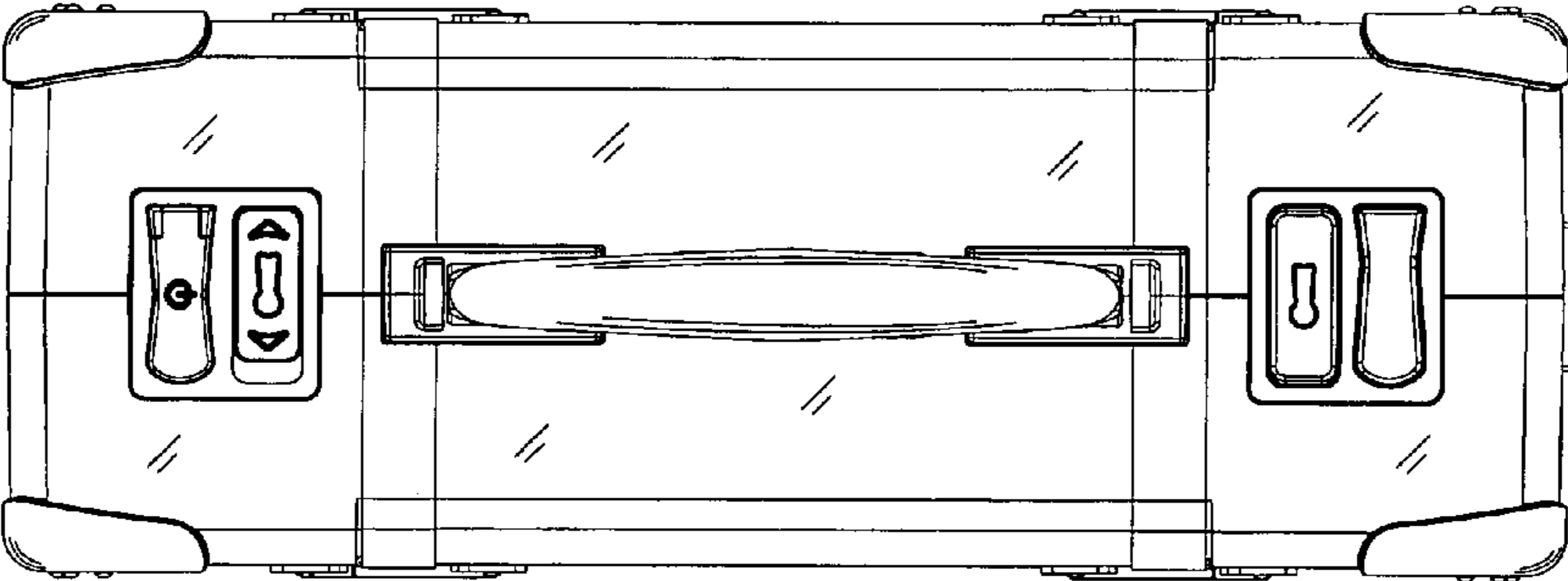


FIG 11