



US00D632314S

(12) **United States Design Patent**
Kristiansen et al.

(10) **Patent No.:** **US D632,314 S**

(45) **Date of Patent:** **** Feb. 8, 2011**

(54) **REFRIGERATOR**

(75) Inventors: **Keith Kristiansen**, Edgewater, NJ (US);
Roland Charriez, Edgewater, NJ (US);
David Demar, Edgewater, NJ (US)

(73) Assignee: **LG Electronics Inc.**, Seoul (KR)

(**) Term: **14 Years**

(21) Appl. No.: **29/340,395**

(22) Filed: **Jul. 17, 2009**

(51) **LOC (9) Cl.** **15-07**

(52) **U.S. Cl.** **D15/86; D15/87**

(58) **Field of Classification Search** D15/79,
D15/81, 85, 86, 87, 88; 312/400-408; 62/3.6,
62/3.61-6.64, 236, 246, 440, 531
See application file for complete search history.

(56) **References Cited**

U.S. PATENT DOCUMENTS

D495,719	S	*	9/2004	Kirchner et al.	D15/86
D508,059	S	*	8/2005	Seok et al.	D15/86
D508,925	S	*	8/2005	Seok et al.	D15/86
D508,926	S	*	8/2005	Seok et al.	D15/86
D522,540	S	*	6/2006	Cho et al.	D15/86
D556,223	S	*	11/2007	Wang et al.	D15/86
D557,292	S	*	12/2007	Lee et al.	D15/86
D570,884	S	*	6/2008	Yang et al.	D15/86
D594,886	S	*	6/2009	Wang et al.	D15/86
D614,208	S	*	4/2010	Seo et al.	D15/86
D615,109	S	*	5/2010	Yang et al.	D15/86

* cited by examiner

Primary Examiner—Shanda C Hill

(74) *Attorney, Agent, or Firm*—Morgan, Lewis & Bockius LLP

(57) **CLAIM**

The ornamental design for a refrigerator, as shown and described.

DESCRIPTION

FIG. 1 is a perspective view of a refrigerator showing our new design;

FIG. 2 is a front view thereof;

FIG. 3 is a rear view thereof;

FIG. 4 is a left side view thereof;

FIG. 5 is a right side view thereof;

FIG. 6 is a top plan view thereof;

FIG. 7 is a bottom plan view thereof;

FIG. 8 is a perspective view thereof, shown in a first alternate position;

FIG. 9 is a perspective view thereof, shown in a second alternate position; and,

FIG. 10 is a perspective view thereof, shown in third alternate position.

The broken lines shown in the drawing disclosure are for illustrative purposes only and form no part of the claimed design.

1 Claim, 9 Drawing Sheets

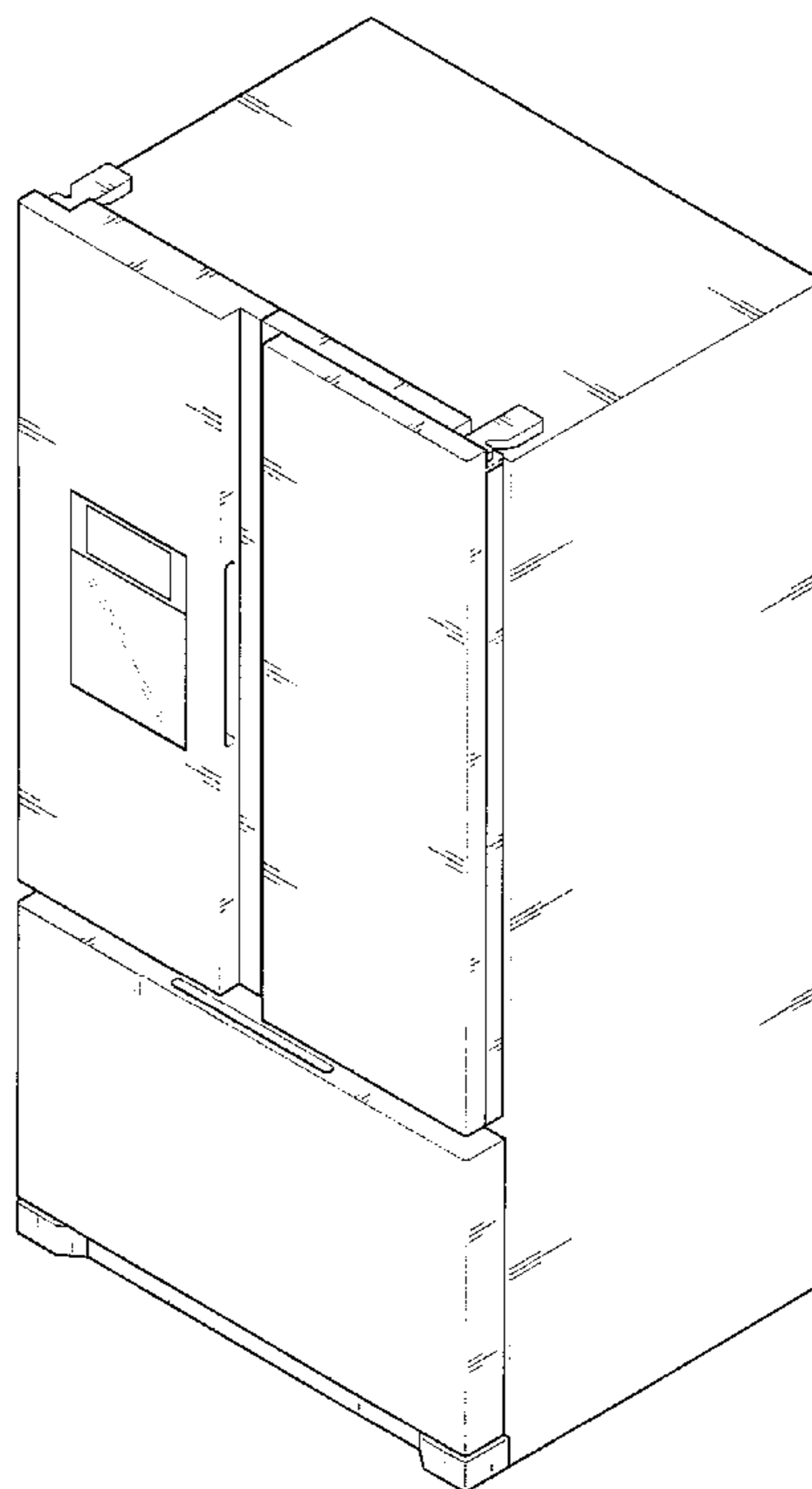


FIG. 1

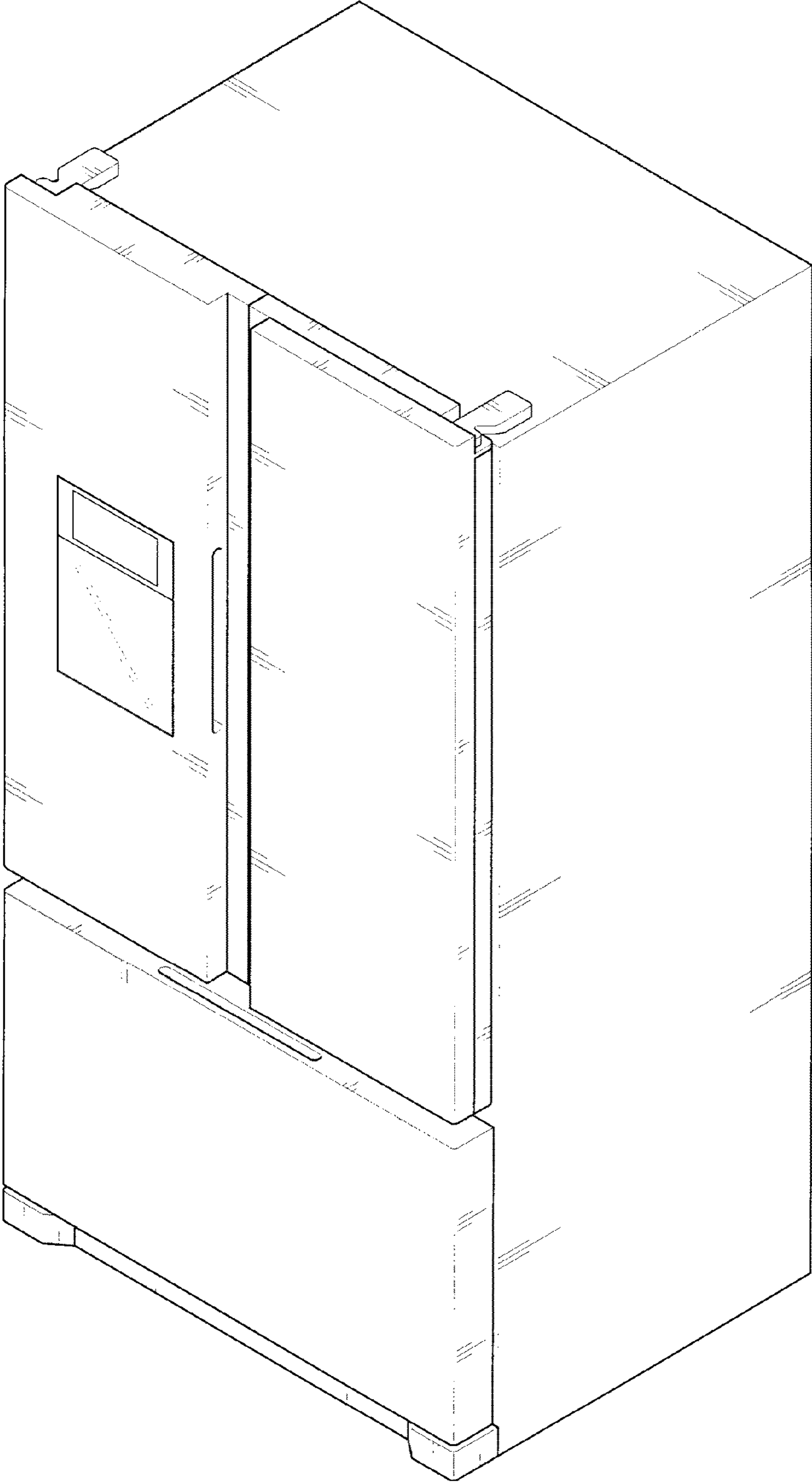


FIG. 2

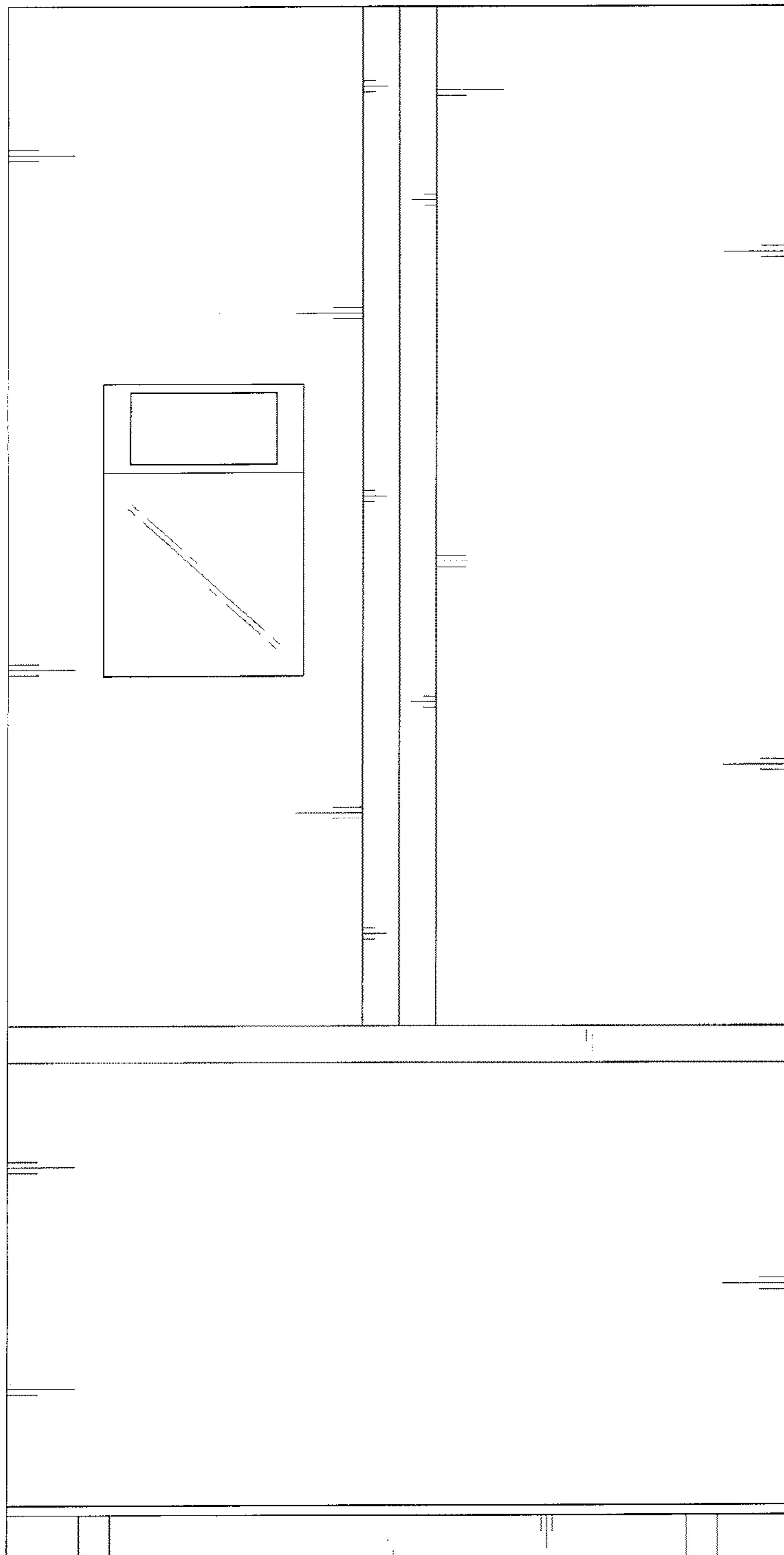


FIG. 3

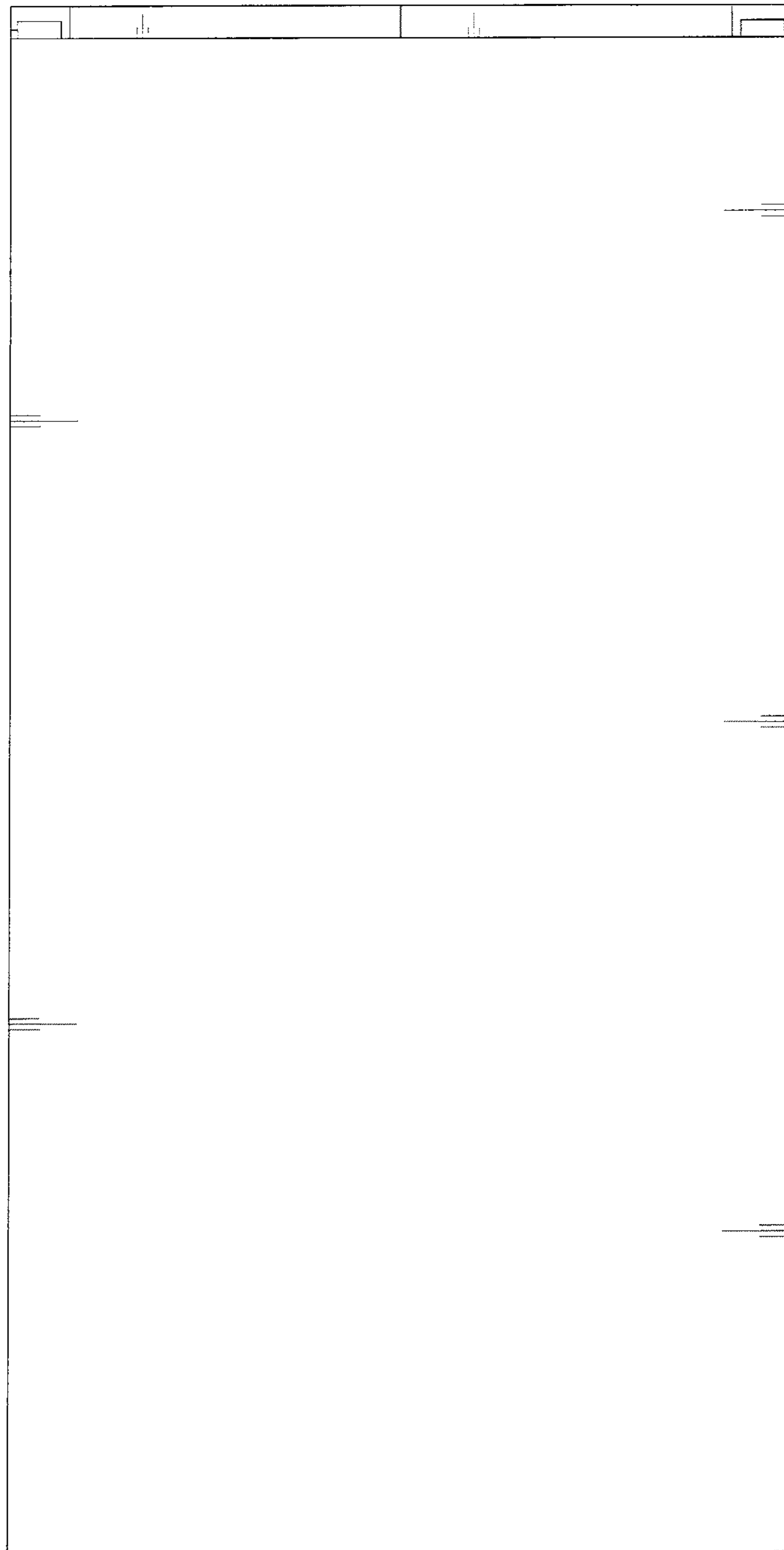


FIG. 4

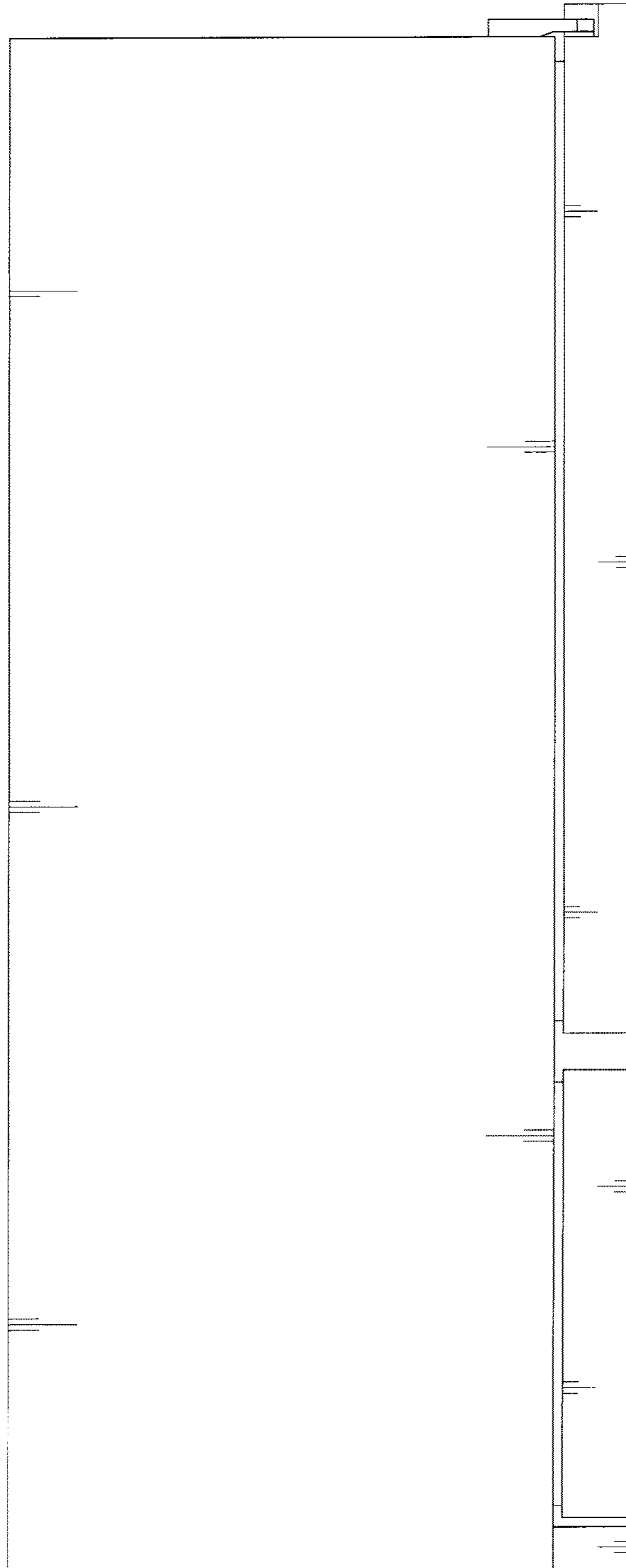


FIG. 5

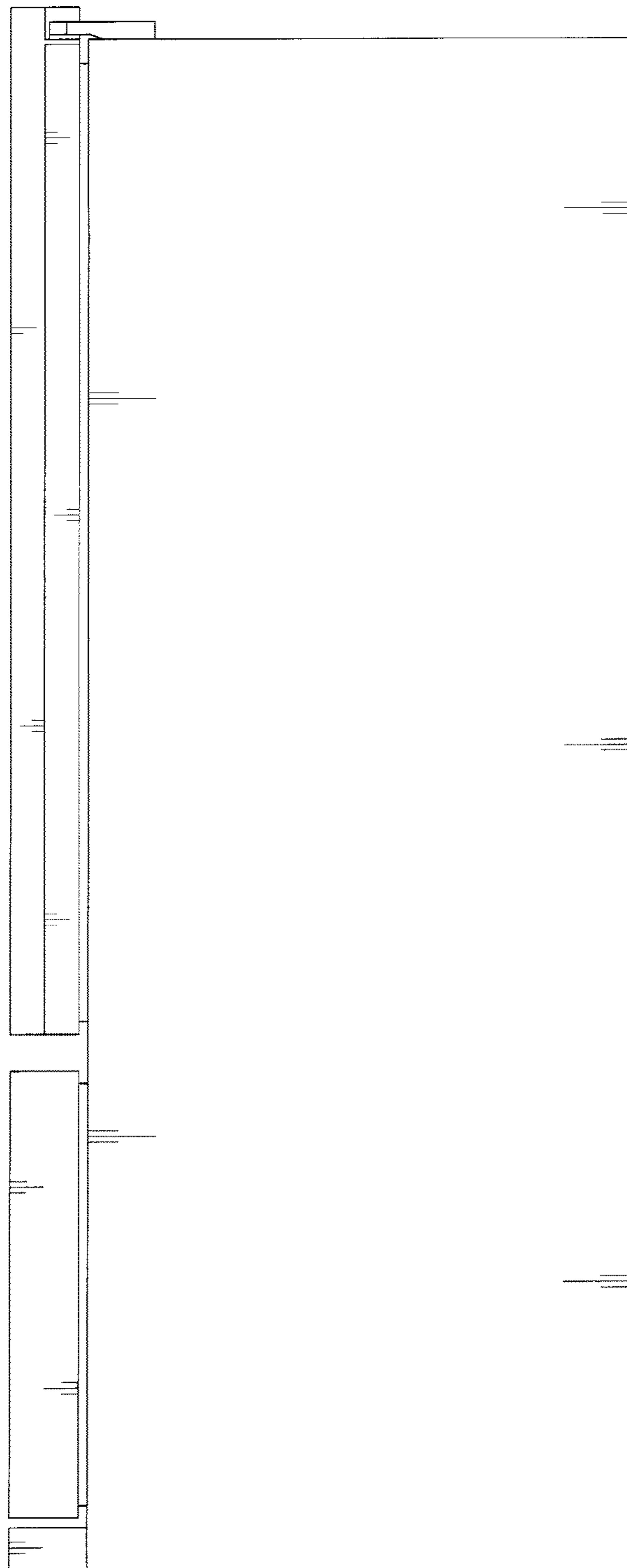


FIG. 6

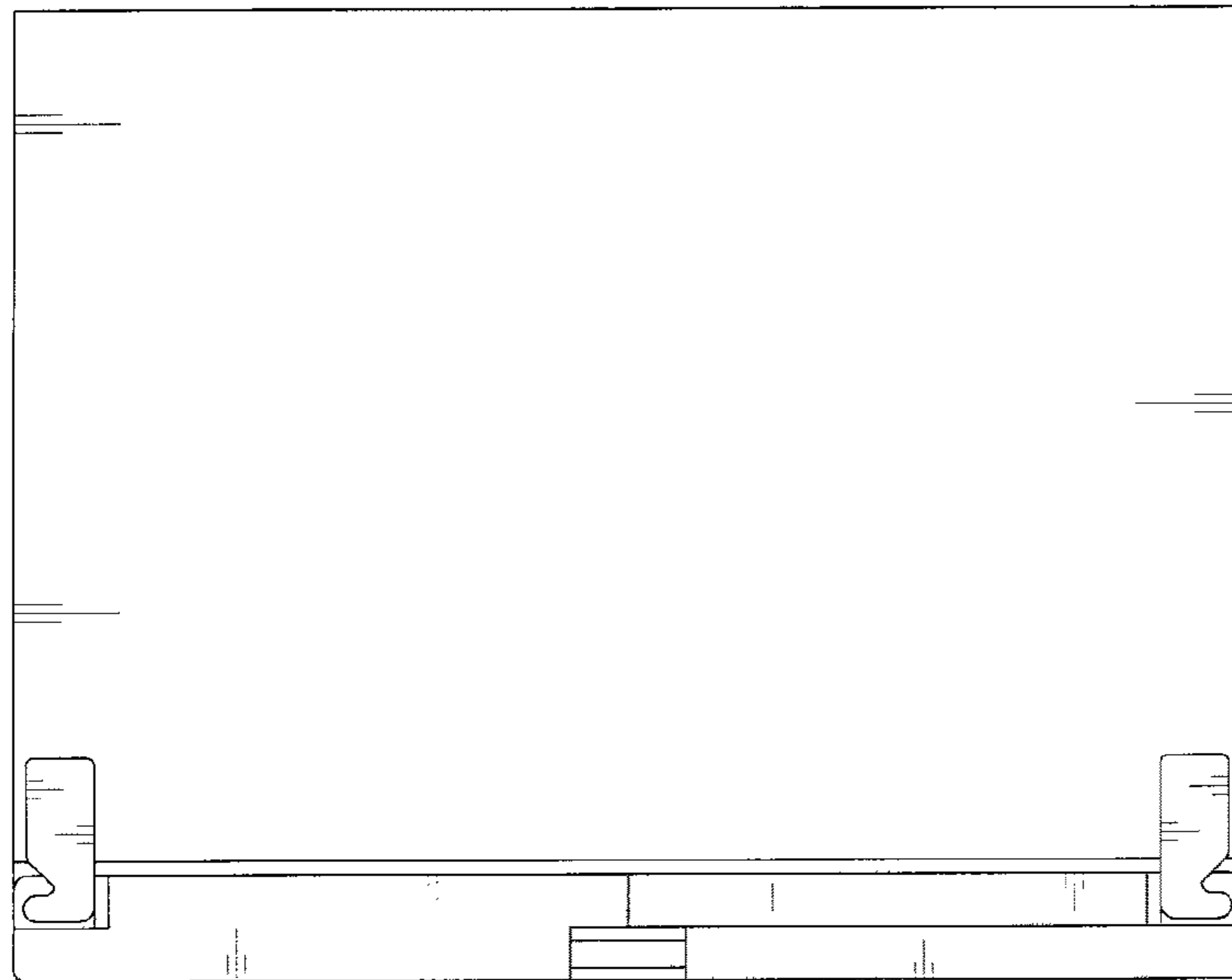


FIG. 7

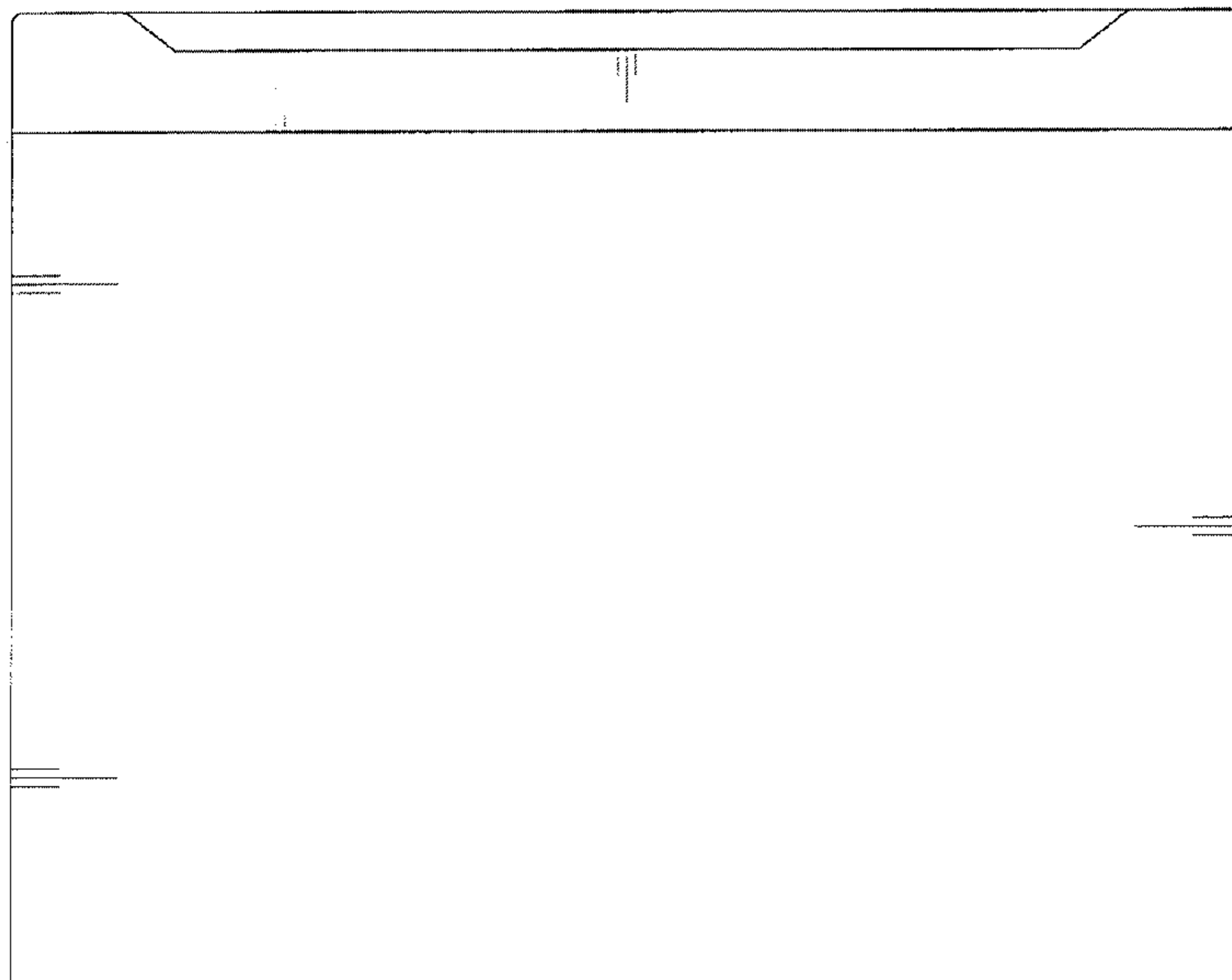


FIG. 8

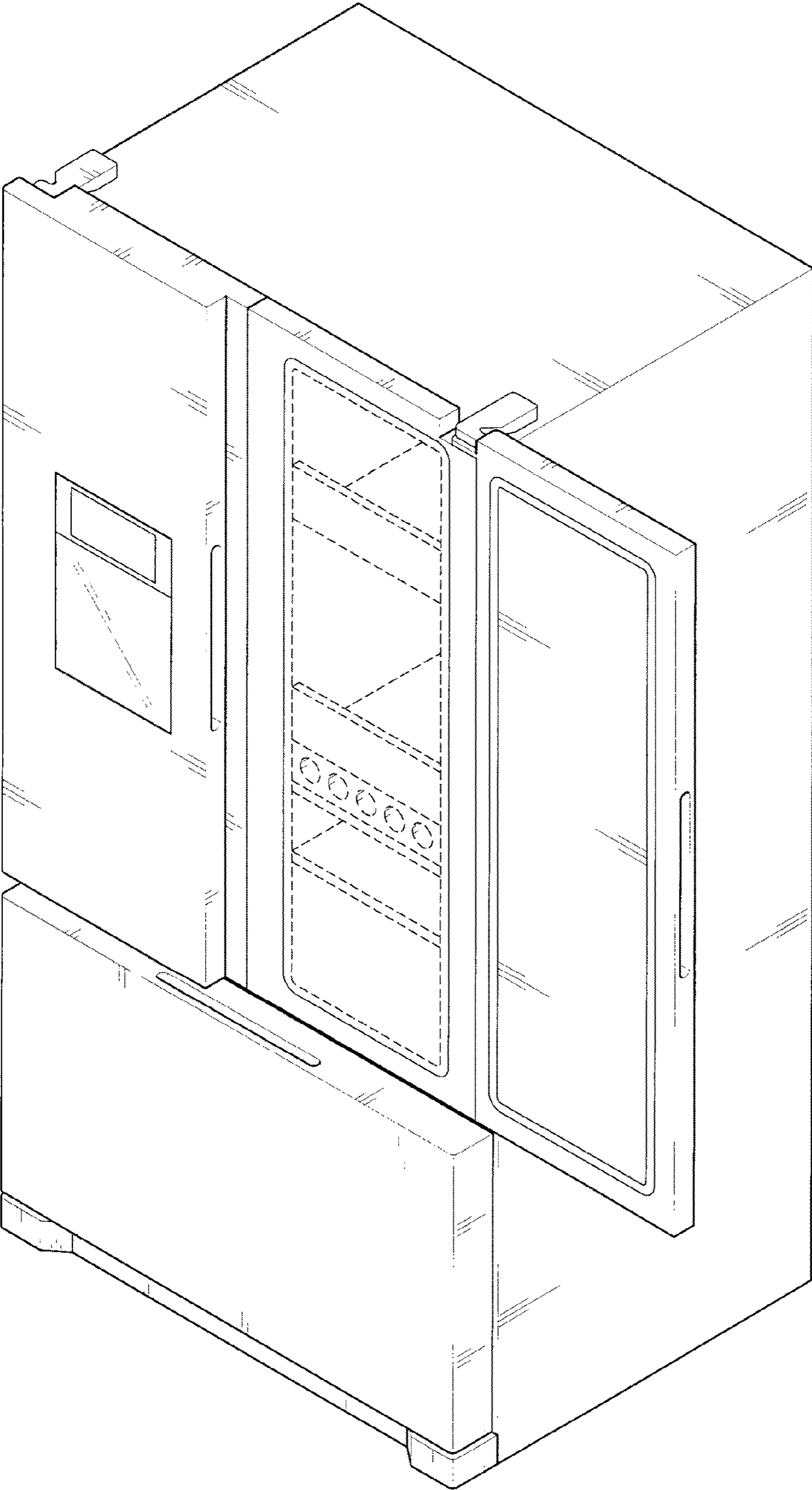


FIG. 9

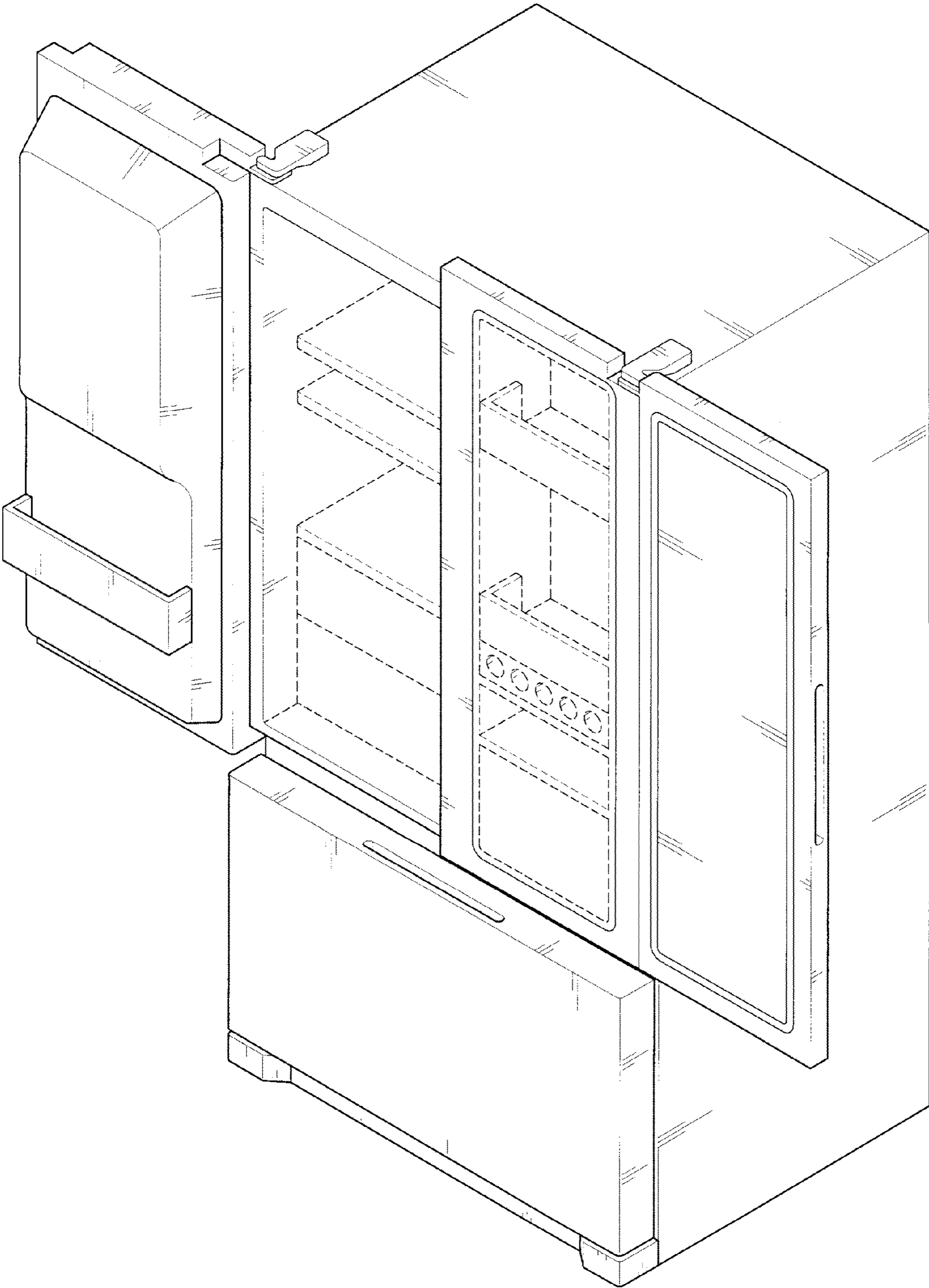


FIG. 10

