



US00D632311S

(12) **United States Design Patent**  
**Labbe et al.**

(10) **Patent No.:** **US D632,311 S**  
(45) **Date of Patent:** **\*\* Feb. 8, 2011**

(54) **SPREADER**  
(75) Inventors: **David Labbe**, Acton Vale (CA); **Vincent Alie**, St-Jean Richelieu (CA)

(73) Assignee: **117197 Canada Ltee**,  
Saint-Valerien-de-Milton (CA)

(\*\*) Term: **14 Years**

(21) Appl. No.: **29/358,609**

(22) Filed: **Mar. 30, 2010**

(51) **LOC (9) Cl.** ..... **15-03**

(52) **U.S. Cl.** ..... **D15/27**

(58) **Field of Classification Search** ..... D15/13,  
D15/27, 10; 239/146, 176, 661, 671, 672,  
239/165

See application file for complete search history.

(56) **References Cited**

**U.S. PATENT DOCUMENTS**

3,105,693	A *	10/1963	Ferris	.....	239/658
D197,240	S *	12/1963	Tyler	.....	D15/13
4,438,873	A *	3/1984	Kaercher, Jr.	.....	222/616
4,473,184	A *	9/1984	Martin	.....	239/7
D296,789	S *	7/1988	Larsson	.....	D15/13
5,108,038	A *	4/1992	Palladino et al.	.....	239/661

5,501,403	A *	3/1996	van Vooren	.....	239/662
5,501,404	A *	3/1996	Meyer et al.	.....	239/676
D402,670	S *	12/1998	Becker	.....	D15/13
6,149,079	A *	11/2000	Kinkead et al.	.....	239/668
2005/0184174	A1 *	8/2005	Bailey et al.	.....	239/672

\* cited by examiner

*Primary Examiner*—Mark A Goodwin

(74) *Attorney, Agent, or Firm*—Baker & Hostetler LLP

(57) **CLAIM**

The ornamental design for a spreader, as shown and described.

**DESCRIPTION**

FIG. 1 is a top front perspective view of a spreader showing our new design;

FIG. 2 is a rear perspective view thereof;

FIG. 3 is a side view thereof;

FIG. 4 is an opposite side view thereof;

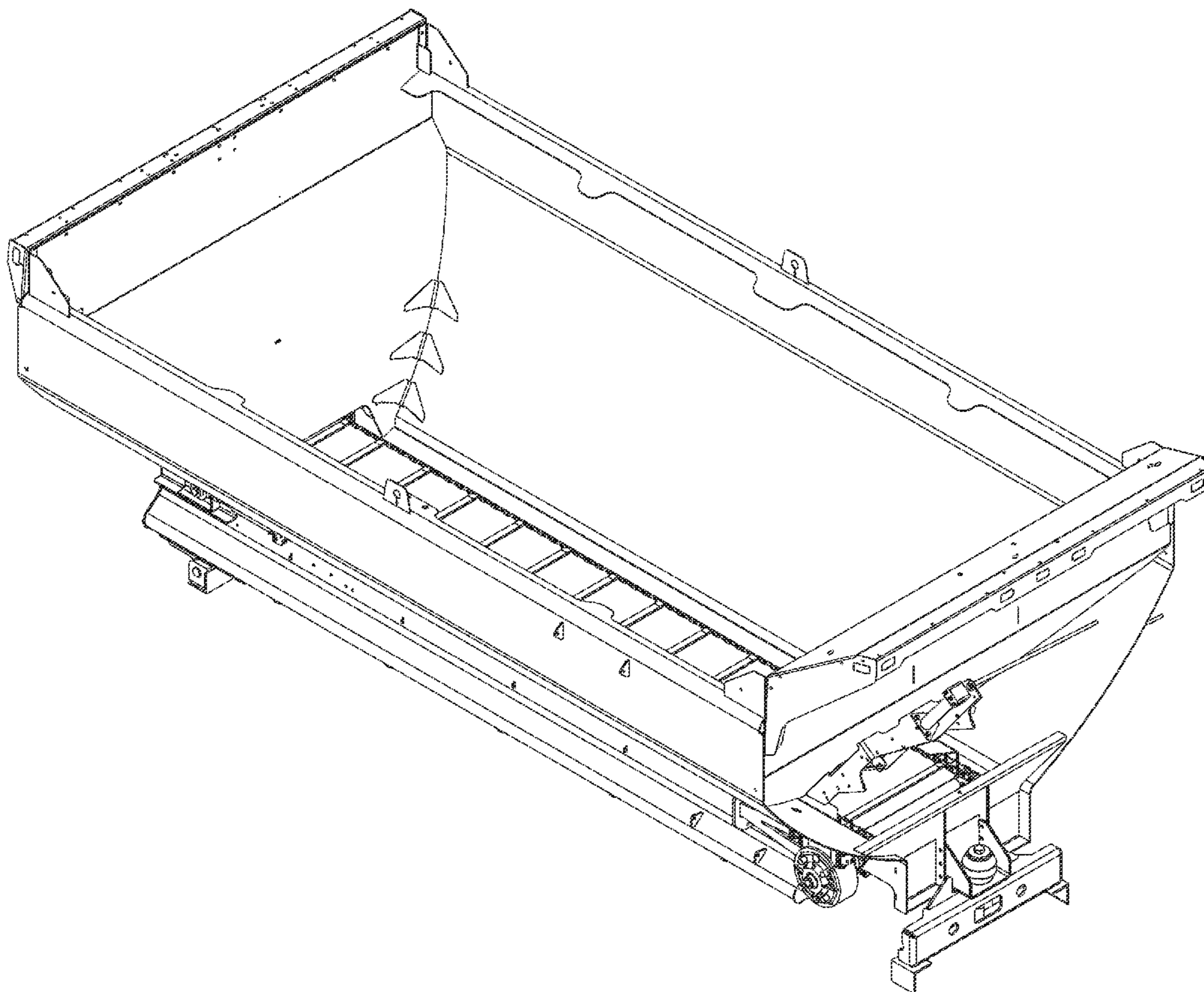
FIG. 5 is a rear view thereof;

FIG. 6 is a front view thereof;

FIG. 7 is a top view thereof; and,

FIG. 8 is a bottom view thereof.

**1 Claim, 8 Drawing Sheets**



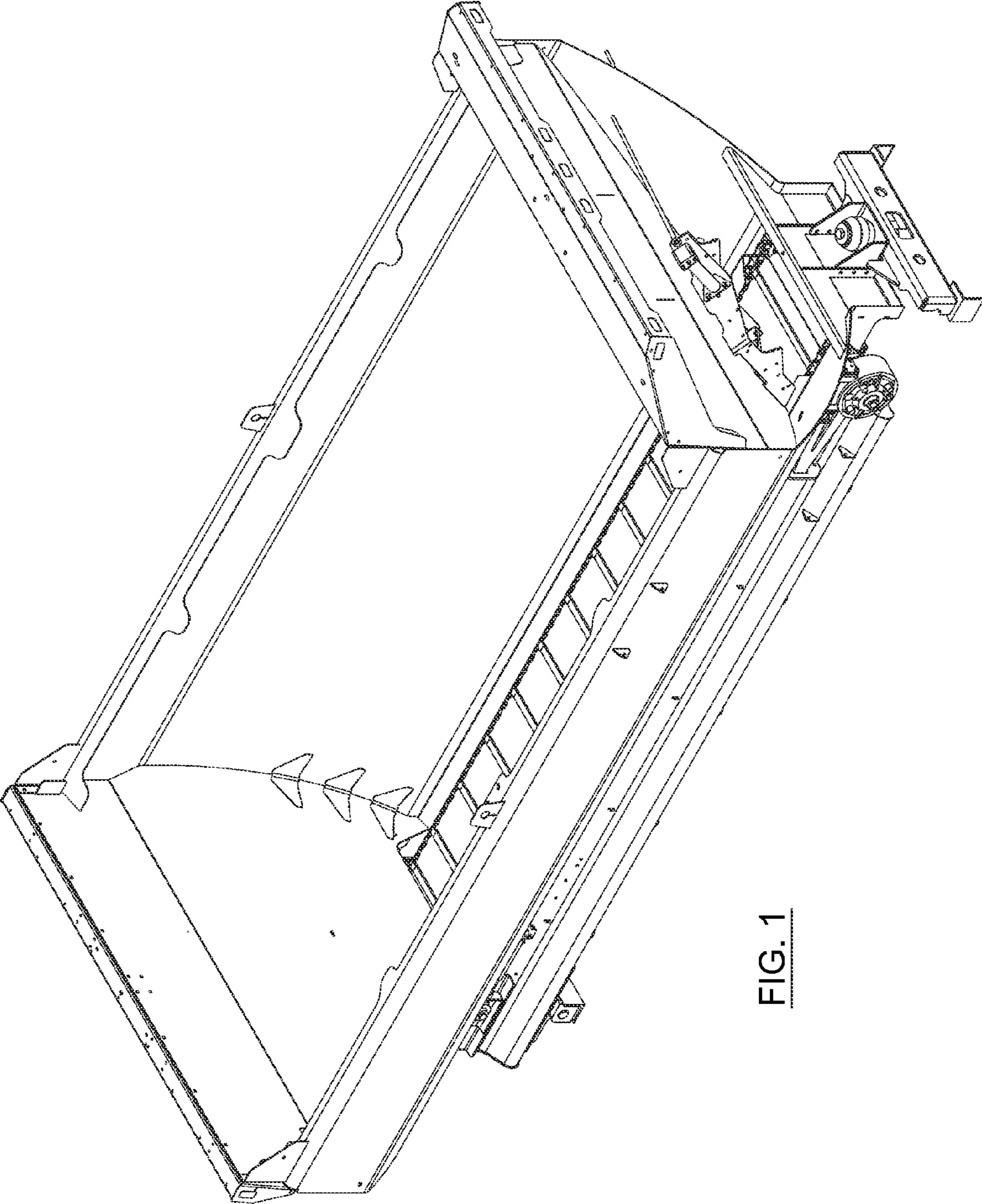


FIG. 1

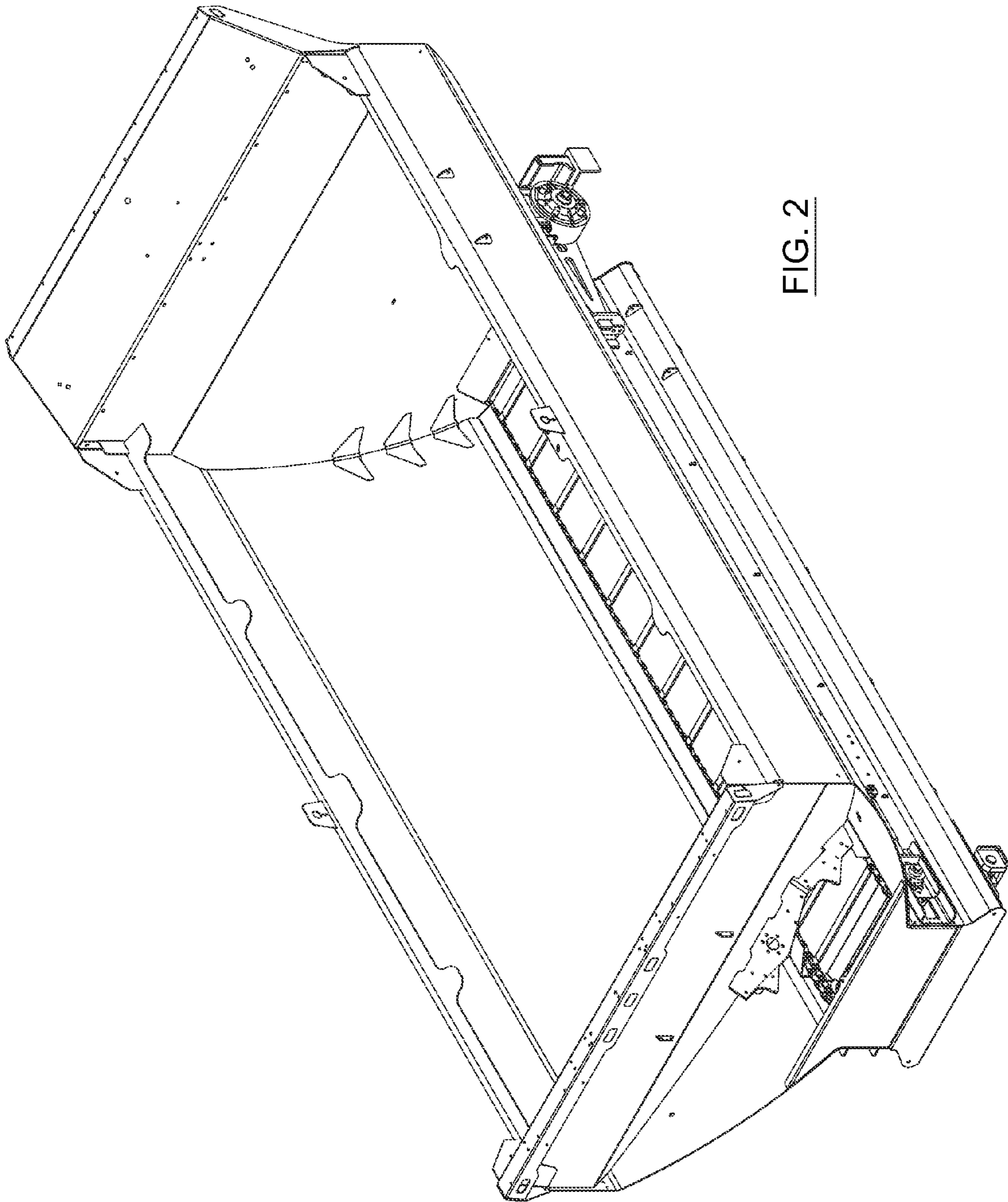


FIG. 2

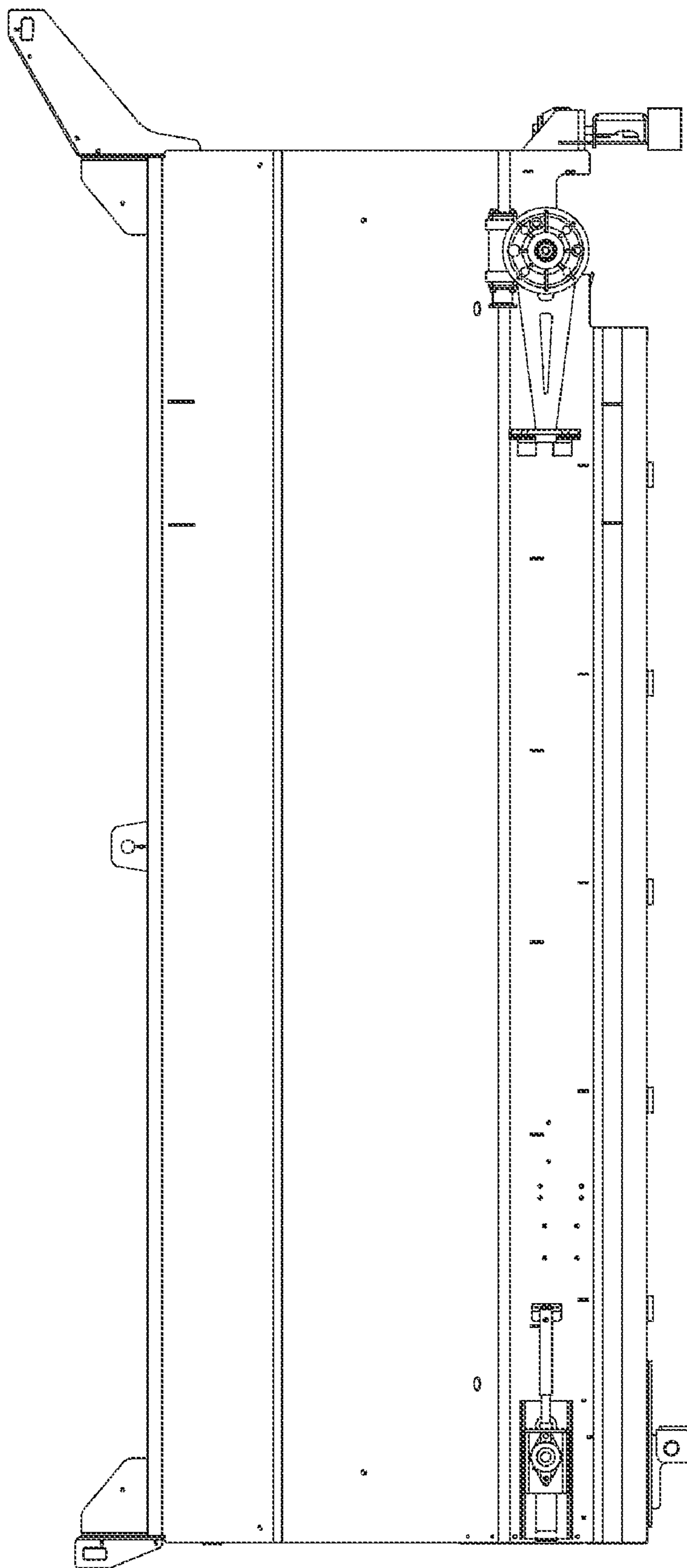


FIG. 3

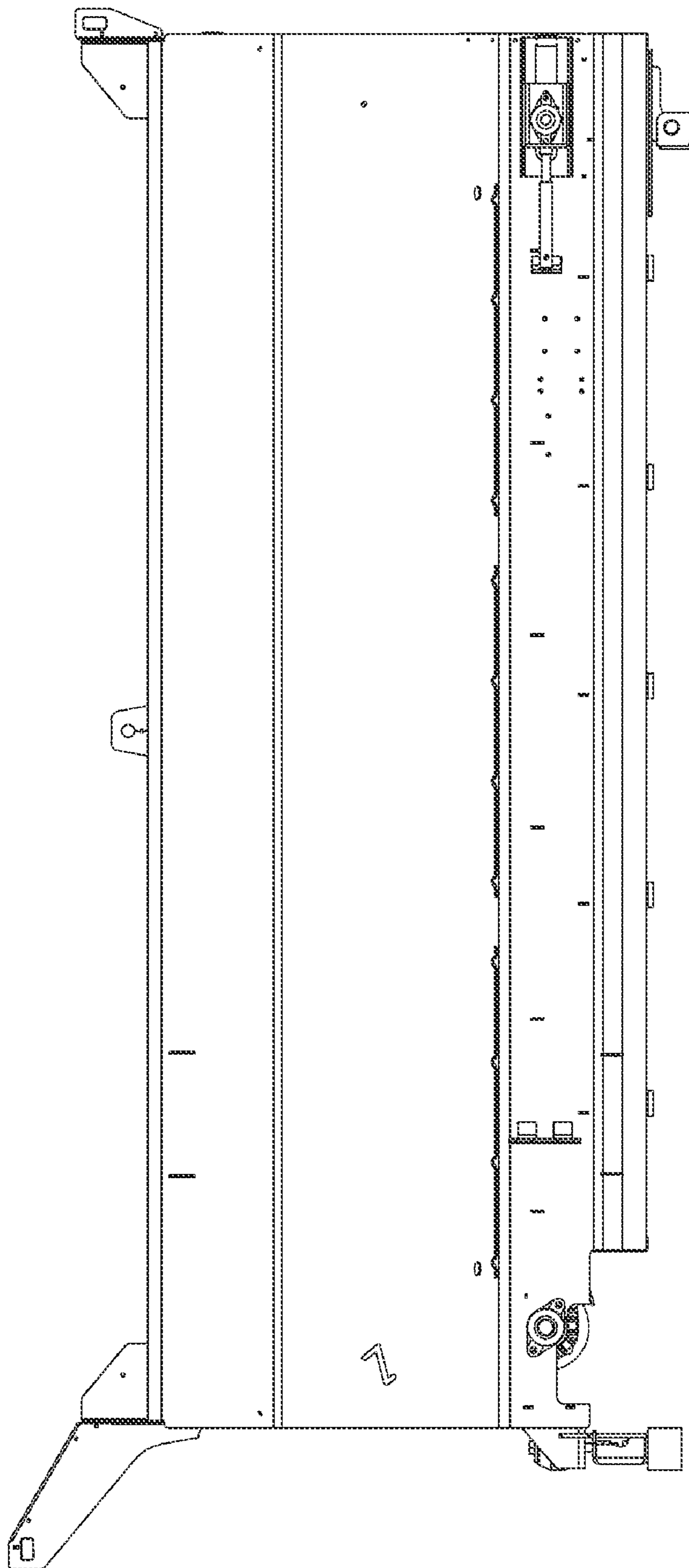


FIG. 4

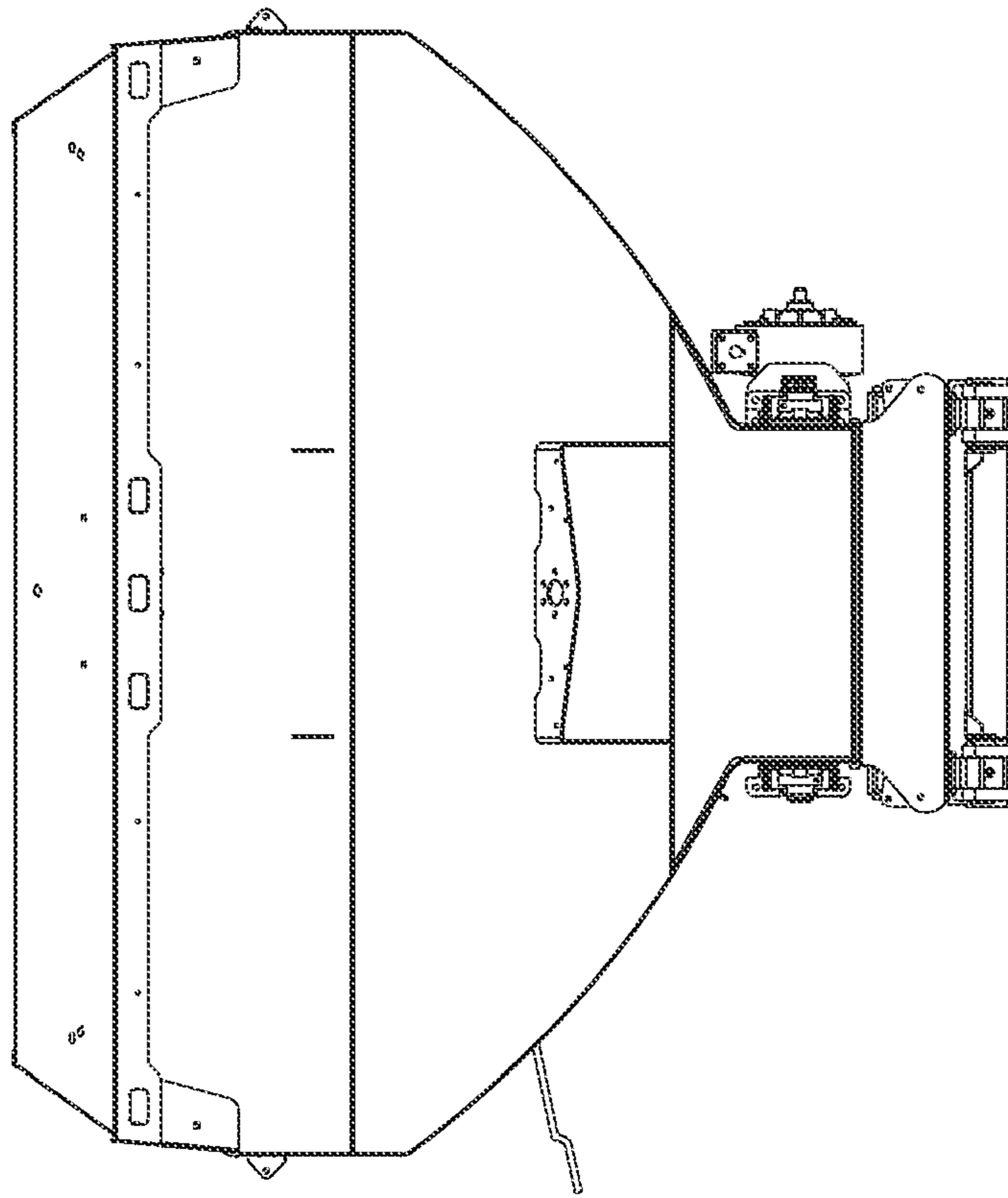


FIG. 5

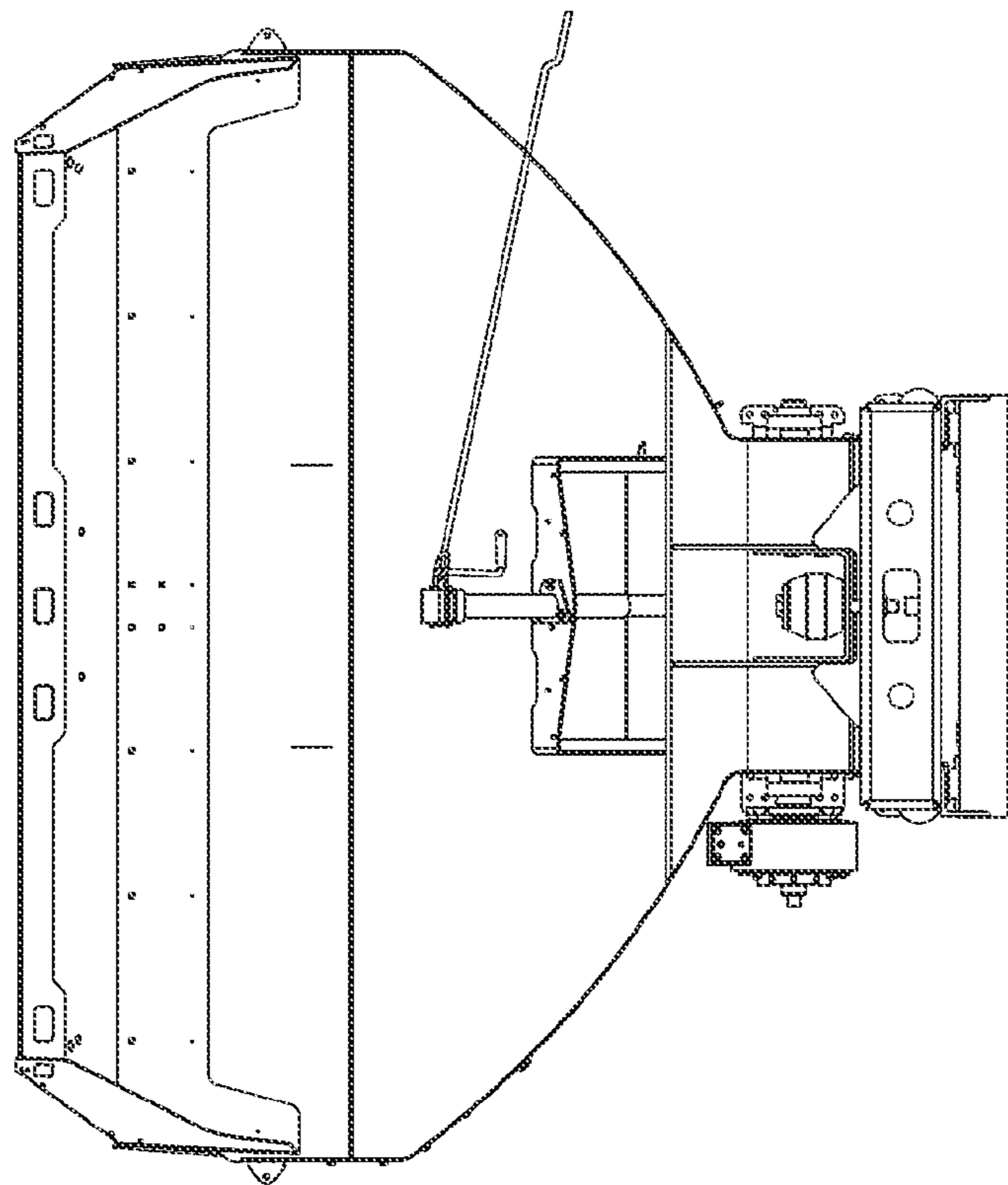


FIG. 6

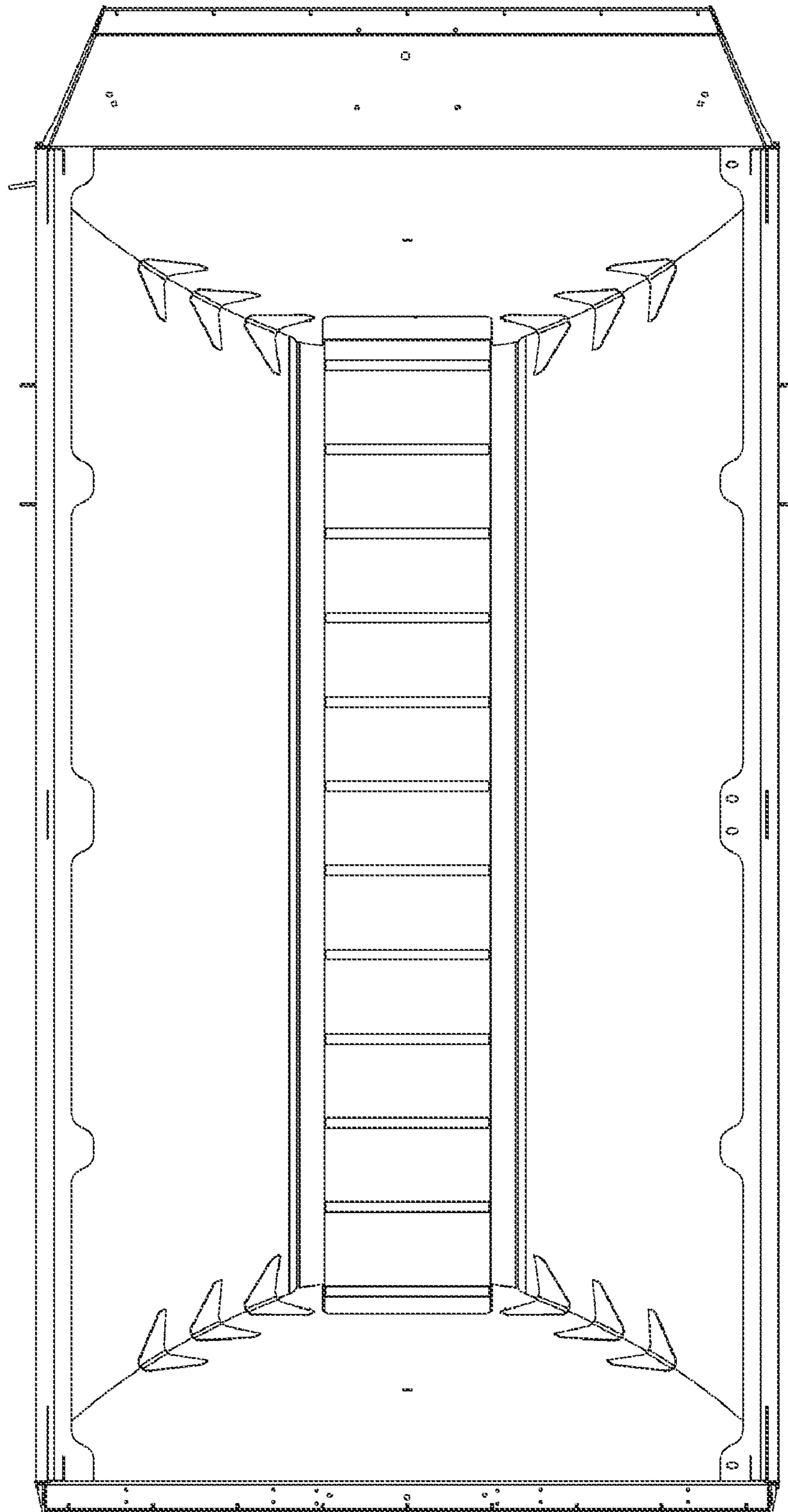


FIG. 7



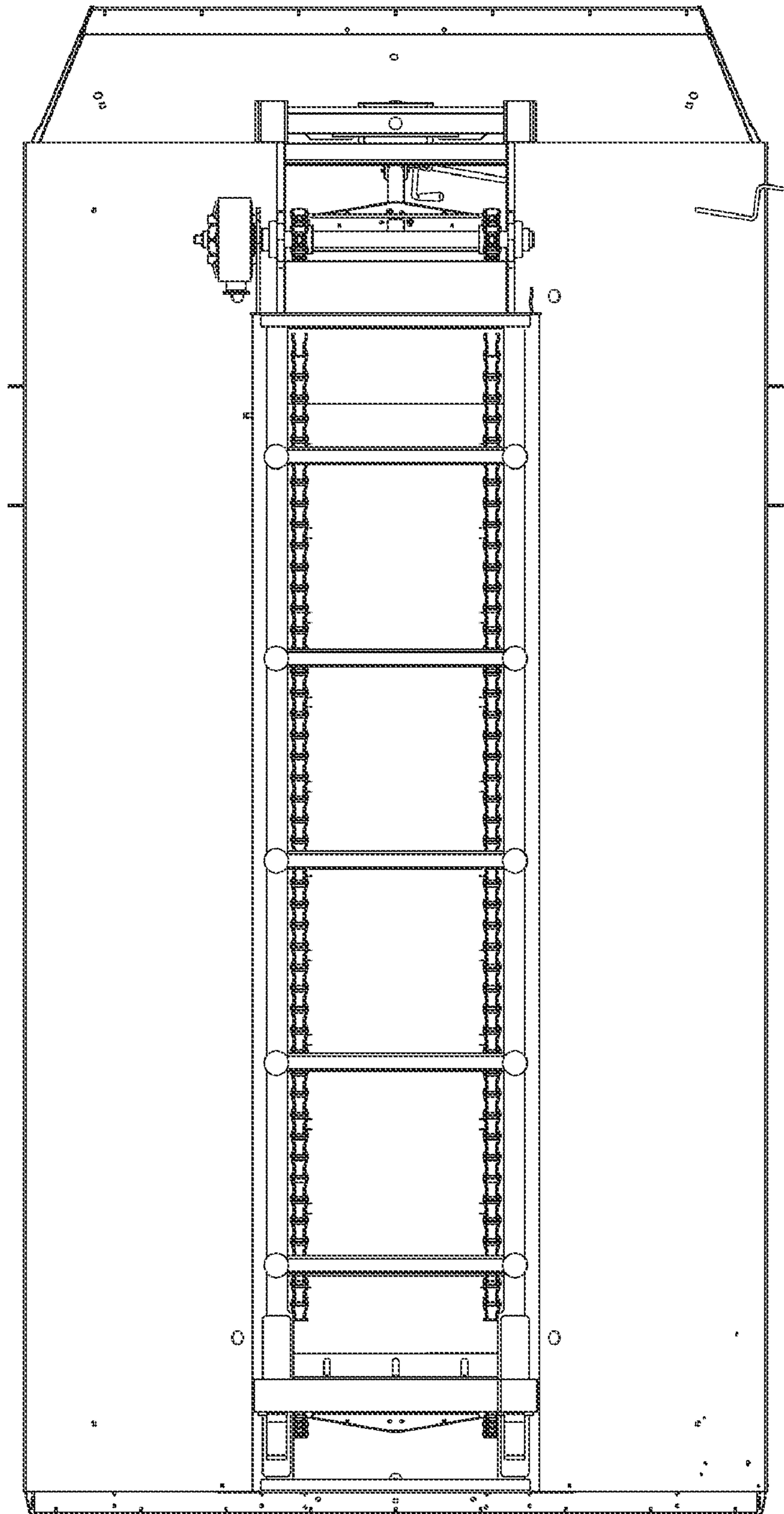


FIG. 8