



US00D632310S

(12) **United States Design Patent**  
**Coyle, Jr.**

(10) **Patent No.:** **US D632,310 S**  
(45) **Date of Patent:** **\*\* Feb. 8, 2011**

(54) **DOWNHOLE BRUSH TOOL**  
(75) Inventor: **William E. Coyle, Jr.**, Houma, LA (US)  
(73) Assignee: **Bilco Tools, Inc.**, Houma, LA (US)  
(\*\*) Term: **14 Years**  
(21) Appl. No.: **29/361,622**  
(22) Filed: **May 13, 2010**  
(51) **LOC (9) Cl.** ..... **15-03**  
(52) **U.S. Cl.** ..... **D15/21**  
(58) **Field of Classification Search** ..... D15/21;  
175/57, 325.1, 320, 327, 424; 15/104.05,  
15/104.09, 104.2, 181, 122  
See application file for complete search history.

2005/0205251 A1\* 9/2005 Tulloch et al. .... 166/173  
2005/0205252 A1\* 9/2005 Tulloch et al. .... 166/173  
2005/0252686 A1\* 11/2005 Bloom et al. .... 175/51  
2005/0274524 A1\* 12/2005 Silguero ..... 166/311  
2006/0048934 A1\* 3/2006 Charabin ..... 166/177.7  
2006/0081375 A1\* 4/2006 Ruttley ..... 166/311  
2006/0201670 A1\* 9/2006 Stewart ..... 166/241.6  
2006/0207796 A1\* 9/2006 Stewart ..... 175/57  
2007/0181305 A1\* 8/2007 McGavern et al. .... 166/298  
2009/0065206 A1\* 3/2009 Russell ..... 166/276  
2009/0126933 A1\* 5/2009 Telfer ..... 166/301  
2009/0169319 A1\* 7/2009 Hart ..... 408/227  
2010/0071909 A1\* 3/2010 Winn ..... 166/381

(Continued)

(56) **References Cited**  
U.S. PATENT DOCUMENTS

2,833,353 A \* 5/1958 Walton et al. .... 166/66.5  
2,833,520 A \* 5/1958 Owen ..... 175/379  
3,310,113 A \* 3/1967 Maness ..... 166/173  
4,501,322 A \* 2/1985 Martin ..... 166/173  
4,572,291 A \* 2/1986 Robison ..... 166/173  
D297,847 S \* 9/1988 Perkin et al. .... D15/21  
D313,025 S \* 12/1990 East ..... D15/21  
5,244,505 A \* 9/1993 Allison et al. .... 134/22.11  
D349,120 S \* 7/1994 Landsberg ..... D15/21  
D362,448 S \* 9/1995 Landsberg ..... D15/21  
D391,349 S \* 2/1998 Chih ..... D23/229  
6,152,221 A \* 11/2000 Carmichael et al. .... 166/174  
6,478,097 B2\* 11/2002 Bloom et al. .... 175/51  
6,523,612 B2\* 2/2003 Reynolds ..... 166/312  
7,143,829 B2\* 12/2006 Booth ..... 166/311  
7,188,675 B2\* 3/2007 Reynolds ..... 166/311  
7,210,529 B2\* 5/2007 Ruttley ..... 166/311  
7,255,164 B2\* 8/2007 Tulloch et al. .... 166/173  
7,753,125 B1\* 7/2010 Penisson ..... 166/312  
2001/0042623 A1\* 11/2001 Reynolds ..... 166/312  
2004/0168806 A1\* 9/2004 Booth ..... 166/311  
2005/0022995 A1\* 2/2005 Martin et al. .... 166/311

Primary Examiner—Mark A Goodwin  
(74) Attorney, Agent, or Firm—Browning Bushman P.C.

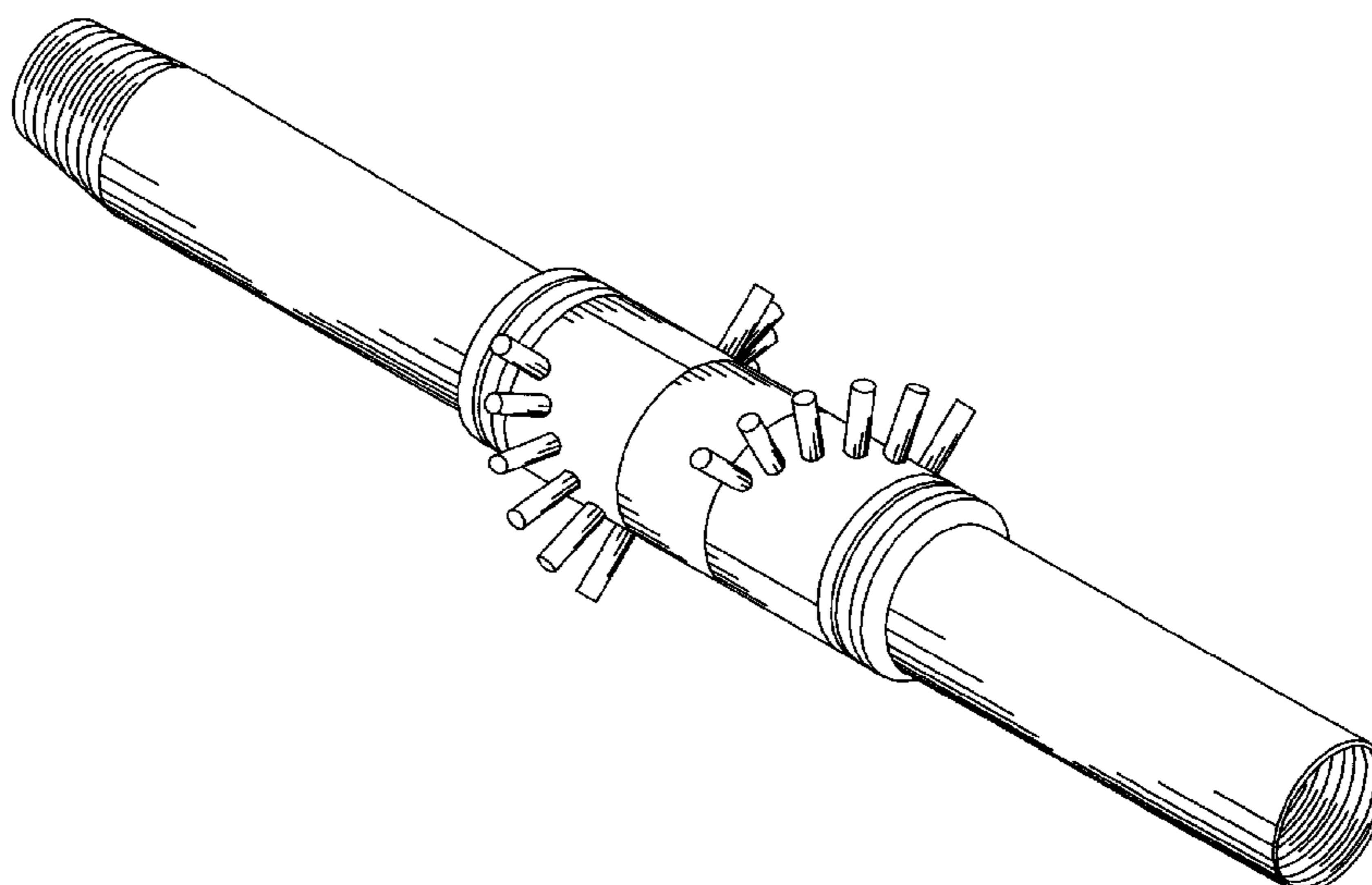
(57) **CLAIM**

The ornamental design for a downhole brush tool, as shown and described.

**DESCRIPTION**

FIG. 1 is a front view of a downhole brush tool showing my new design.  
FIG. 2 is a left side view of the downhole brush tool.  
FIG. 3 is a rear view of the downhole brush tool.  
FIG. 4 is a right side view of the downhole brush tool.  
FIG. 5 is a bottom view of the downhole brush tool.  
FIG. 6 is a top view of the downhole brush tool; and,  
FIG. 7 is an isometric view of the downhole brush tool.

**1 Claim, 4 Drawing Sheets**



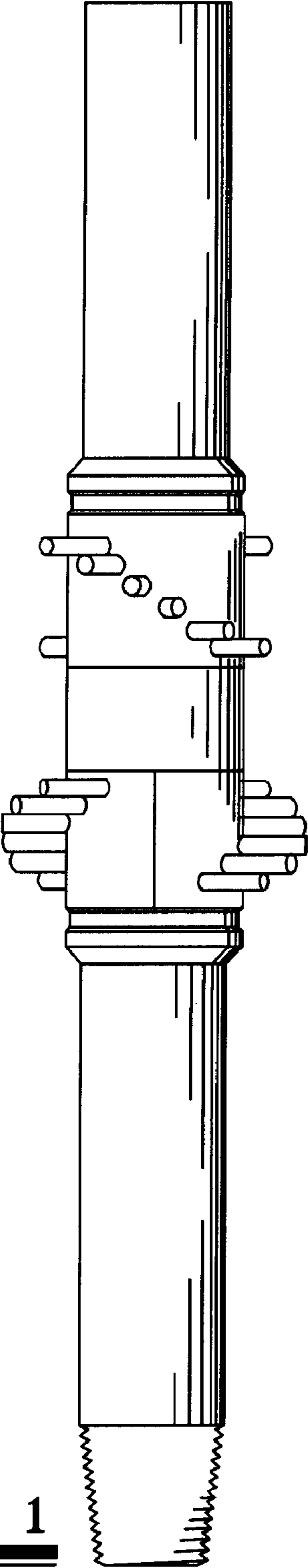
# US D632,310 S

Page 2

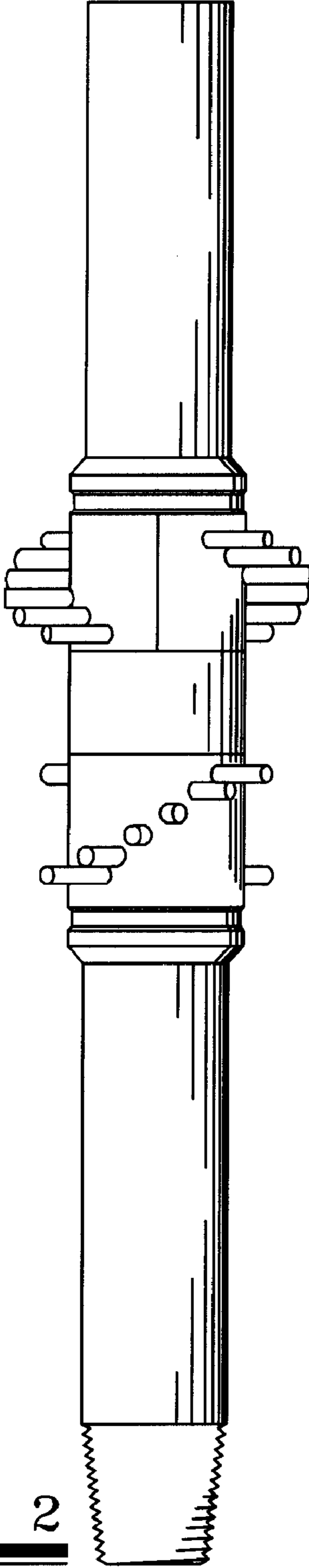
---

U.S. PATENT DOCUMENTS			
2010/0116508	A1 *	5/2010	Oglesby ..... 166/369
2010/0181064	A1 *	7/2010	Knobloch et al. .... 166/99
2010/0186962	A1 *	7/2010	Knobloch et al. .... 166/311
2010/0206551	A1 *	8/2010	Knobloch et al. .... 166/227
2010/0218993	A1 *	9/2010	Wideman et al. .... 175/17

\* cited by examiner



**FIG. 1**



**FIG. 2**

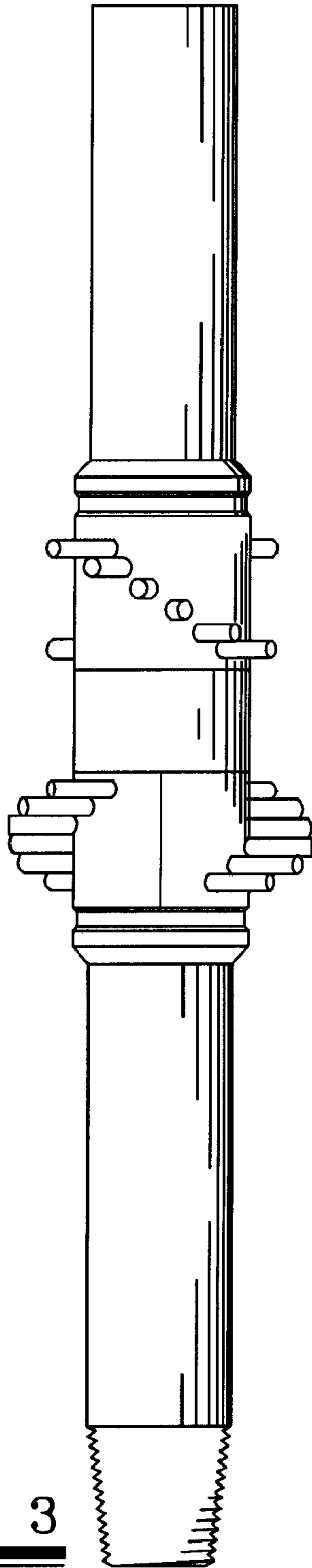


FIG. 3

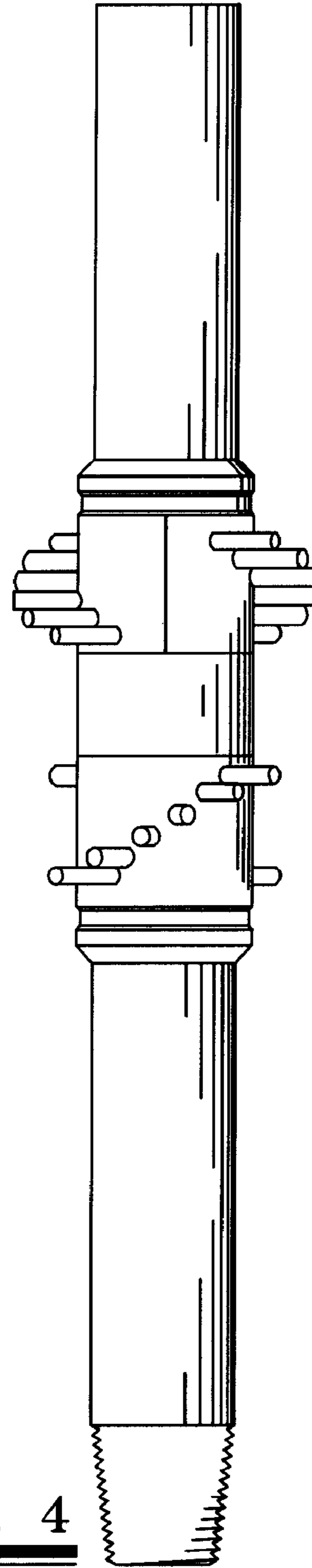


FIG. 4

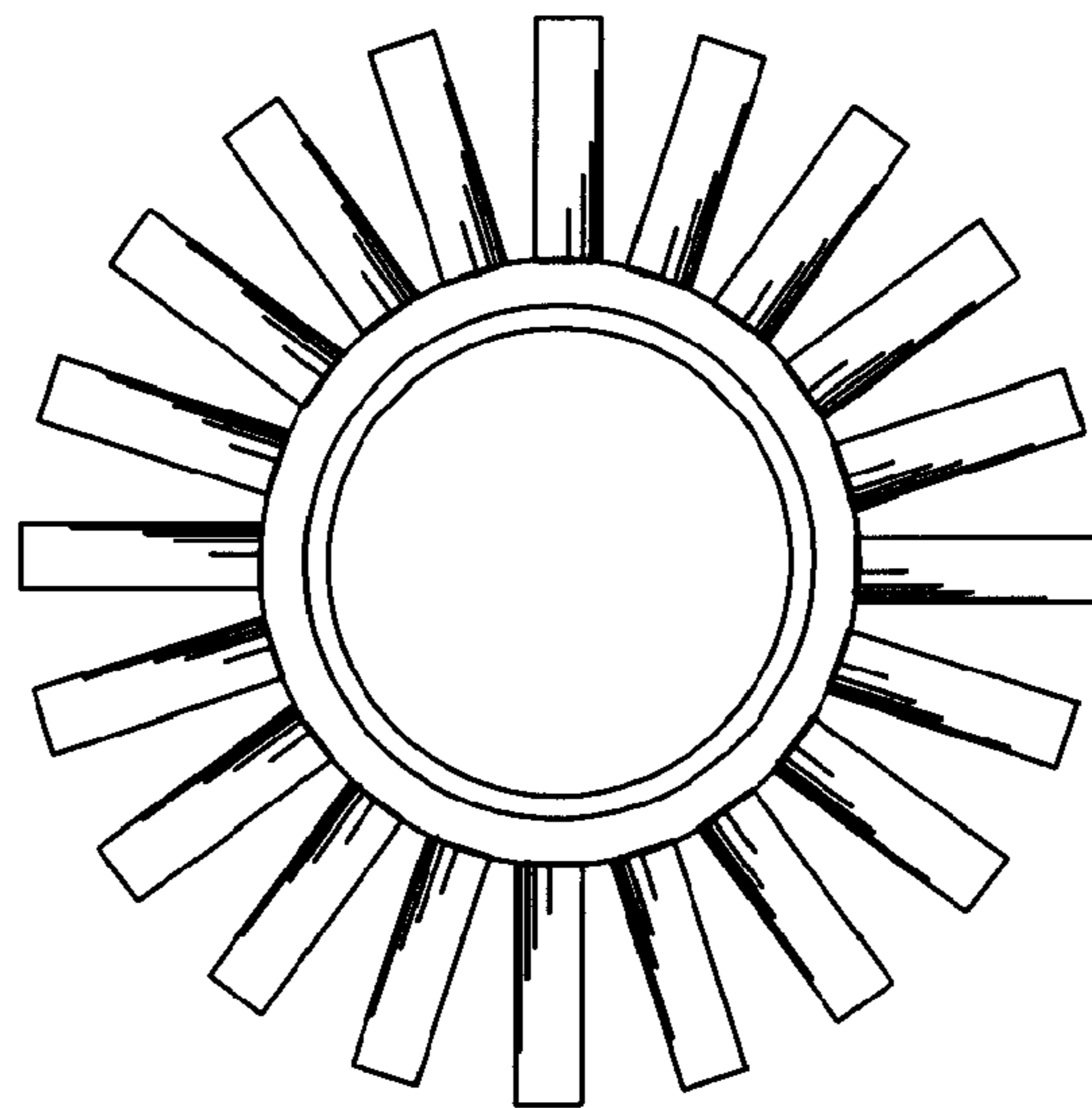


FIG. 5

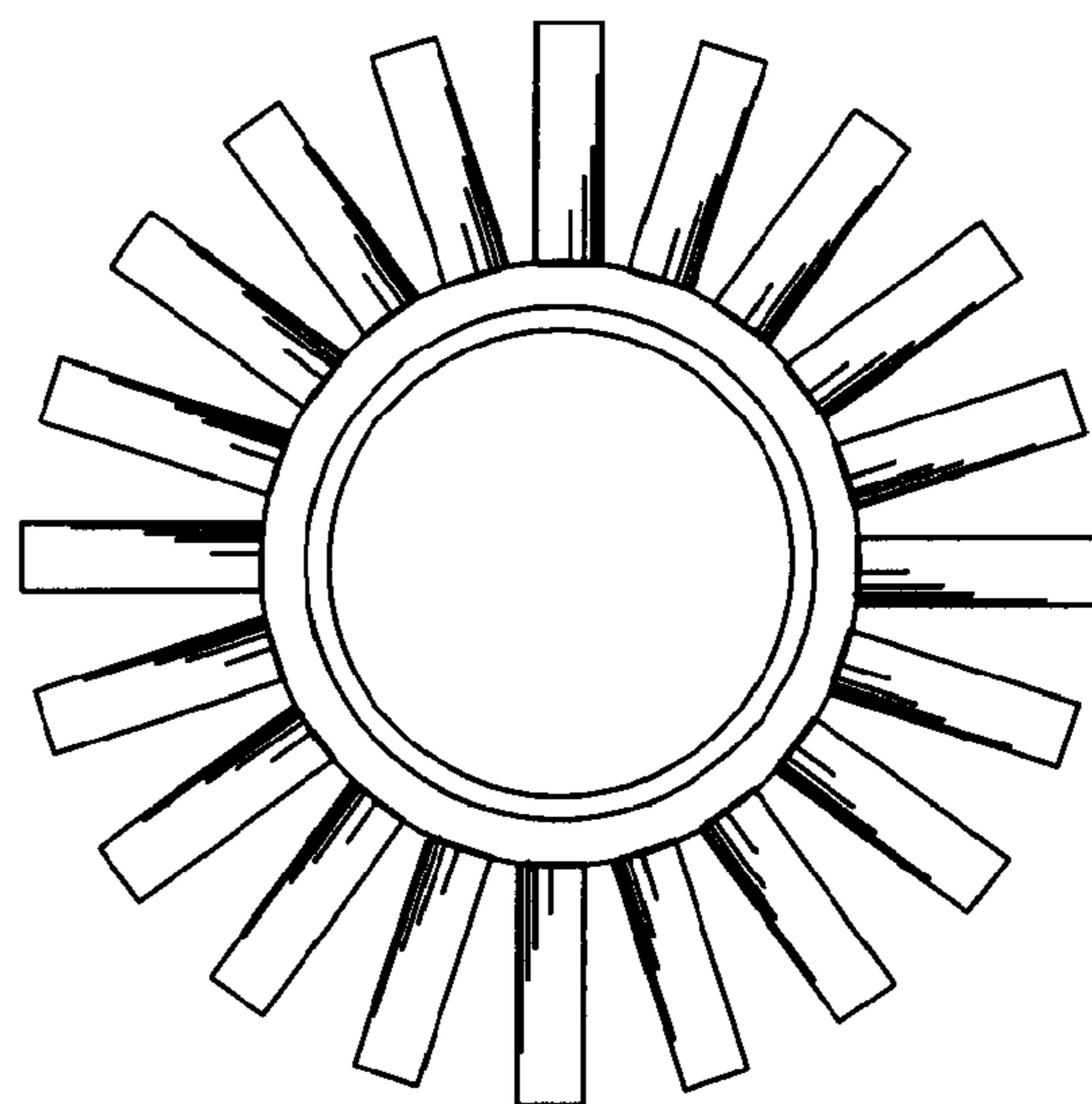
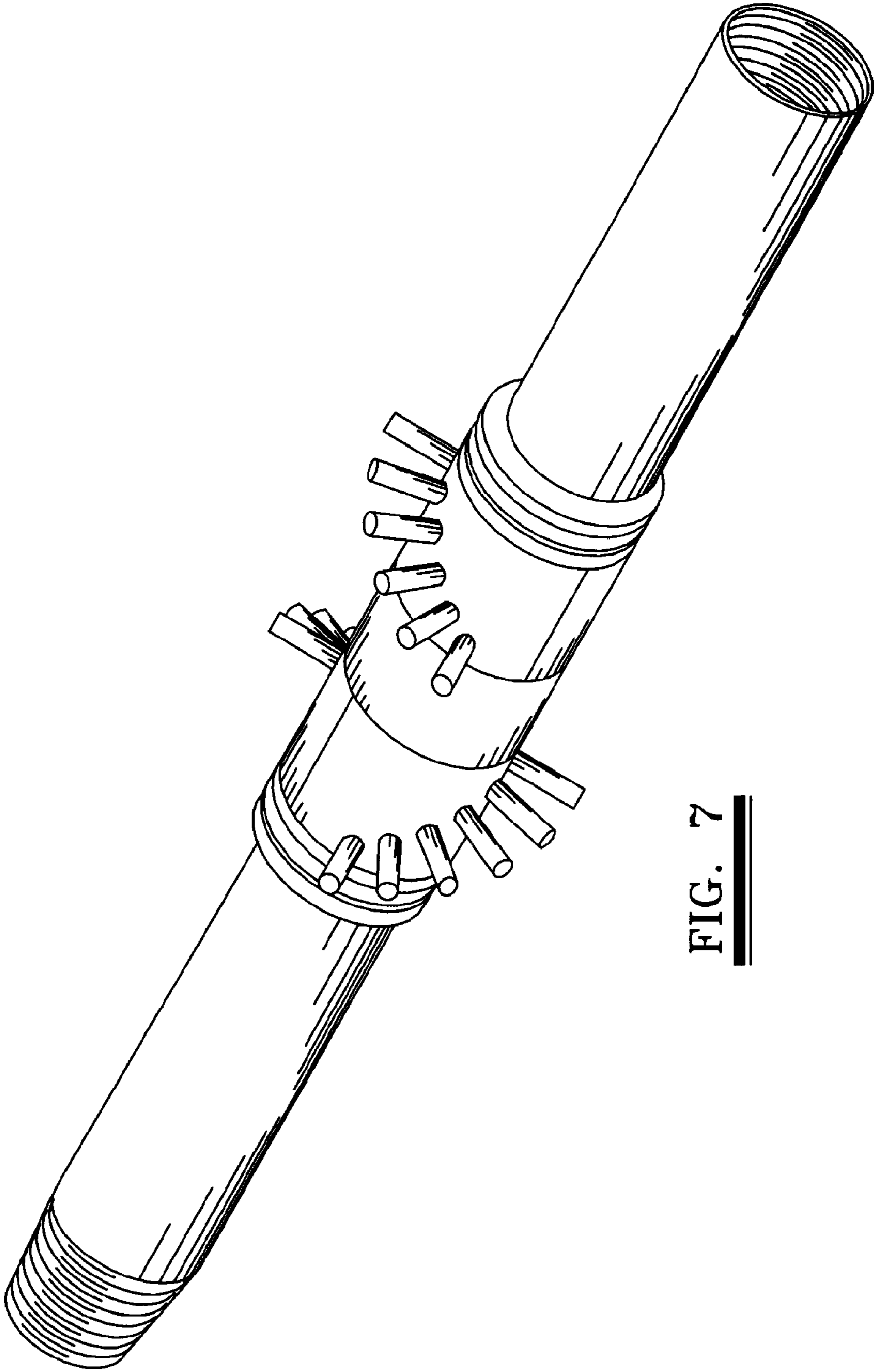


FIG. 6



**FIG. 7**