



US00D632307S

(12) **United States Design Patent**
Wang

(10) **Patent No.:** **US D632,307 S**

(45) **Date of Patent:** **** Feb. 8, 2011**

(54) **HAND OPERATED AIR PUMP**

7,789,638 B2 * 9/2010 Chuang 417/429

(76) Inventor: **Wei-Chi Wang**, 17-1 Fl., No. 457,
Cheng-Kung Rd., Tainan City (TW)

* cited by examiner

Primary Examiner—Ralf Seifert
(74) *Attorney, Agent, or Firm*—Rabin & Berdo, P.C.

(**) Term: **14 Years**

(21) Appl. No.: **29/366,103**

(57) **CLAIM**

(22) Filed: **Jul. 20, 2010**

The ornamental design for a hand operated air pump, as shown and described.

(51) **LOC (9) Cl.** **15-02**

(52) **U.S. Cl.** **D15/7**

(58) **Field of Classification Search** D15/7-9;
D23/231, 232, 225, 213; 417/410.1, 359,
417/415-416, 234, 321, 265, 405, 429
See application file for complete search history.

DESCRIPTION

FIG. 1 is a perspective view of a hand operated air pump, showing my new design;

FIG. 2 is a front view thereof;

FIG. 3 is a rear view thereof;

FIG. 4 is a left view thereof;

FIG. 5 is a right view thereof;

FIG. 6 is a top view thereof;

FIG. 7 is a rear perspective view thereof; and,

FIG. 8 is a bottom perspective view thereof.

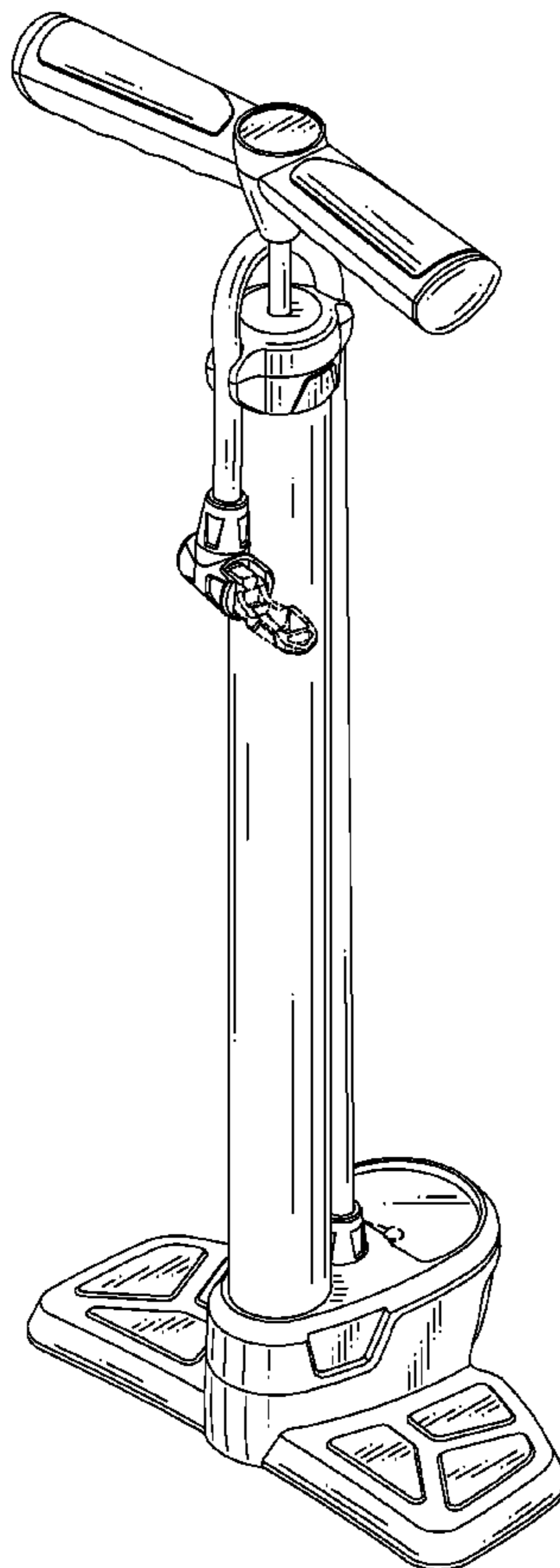
The broken lines on the drawings are shown for illustrative purposes only and form no part of the claimed design.

(56) **References Cited**

U.S. PATENT DOCUMENTS

3,786,730	A *	1/1974	Linderholm	92/169.1
D323,876	S *	2/1992	Furusawa	D23/231
D343,397	S *	1/1994	Wang	D15/7
D351,896	S *	10/1994	Sundheim et al.	D23/231
D452,726	S *	1/2002	Tsai	D23/231
6,814,552	B2 *	11/2004	Wu	417/440
7,040,355	B2 *	5/2006	Wu	141/38
7,331,768	B2 *	2/2008	Wu	417/63
D596,202	S *	7/2009	van der Blom	D15/7

1 Claim, 8 Drawing Sheets



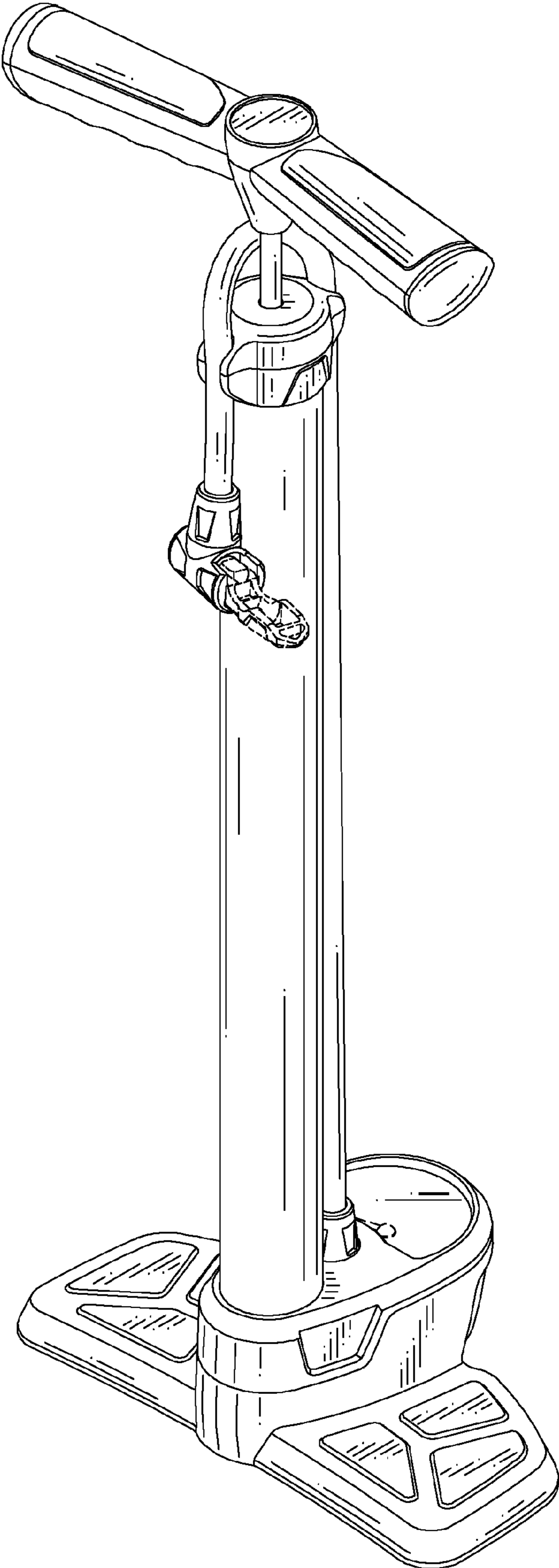


FIG.1

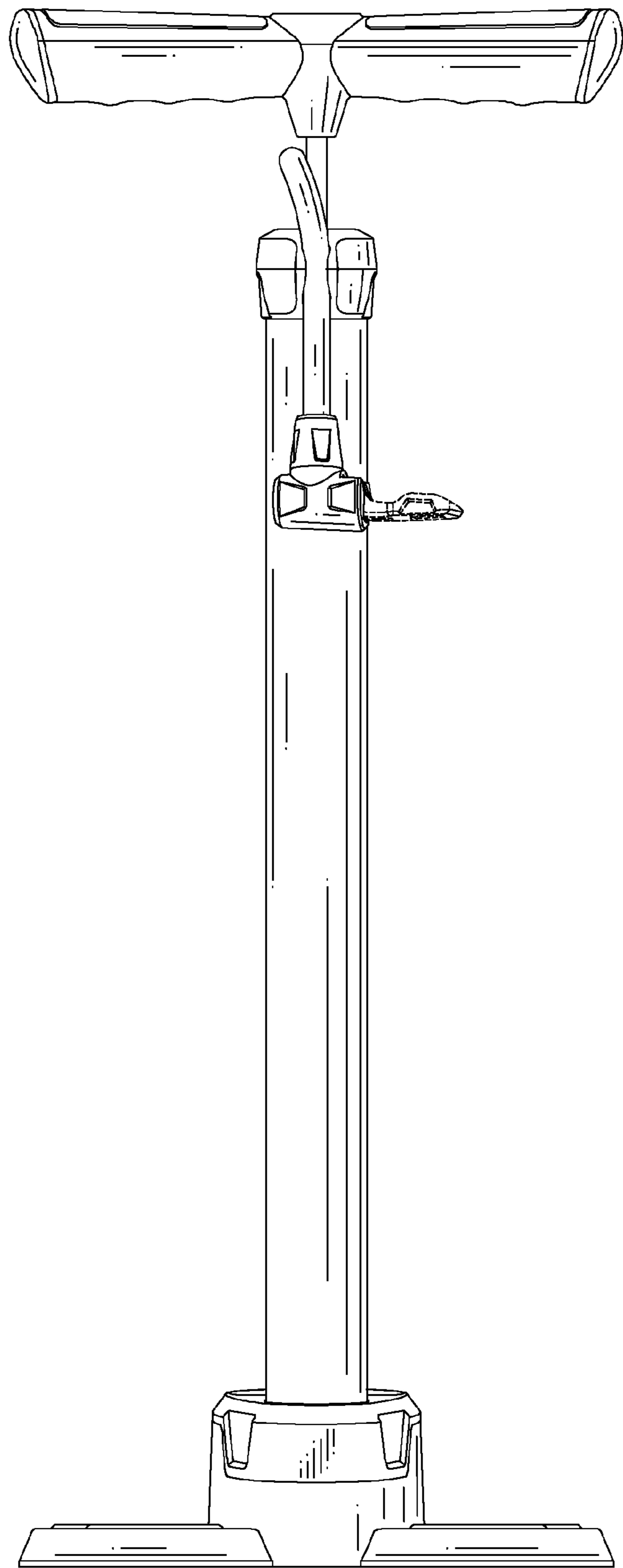


FIG.2

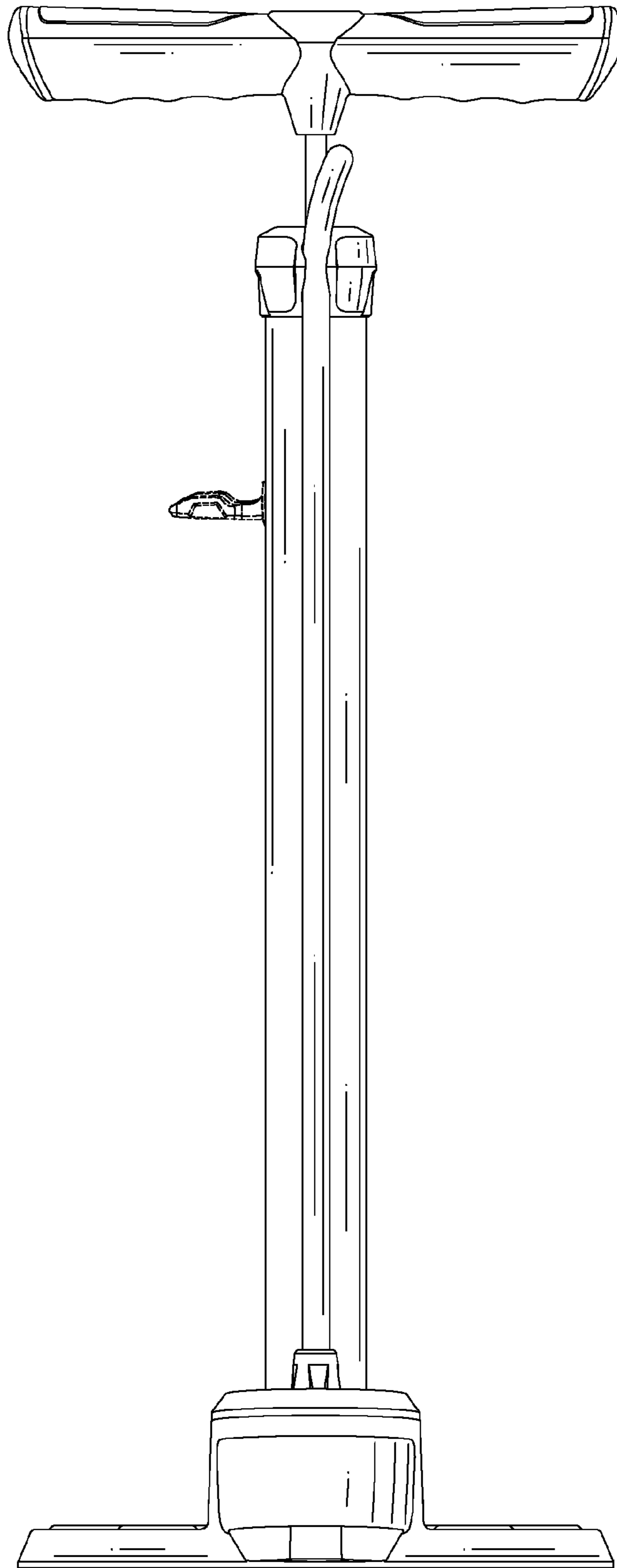


FIG.3

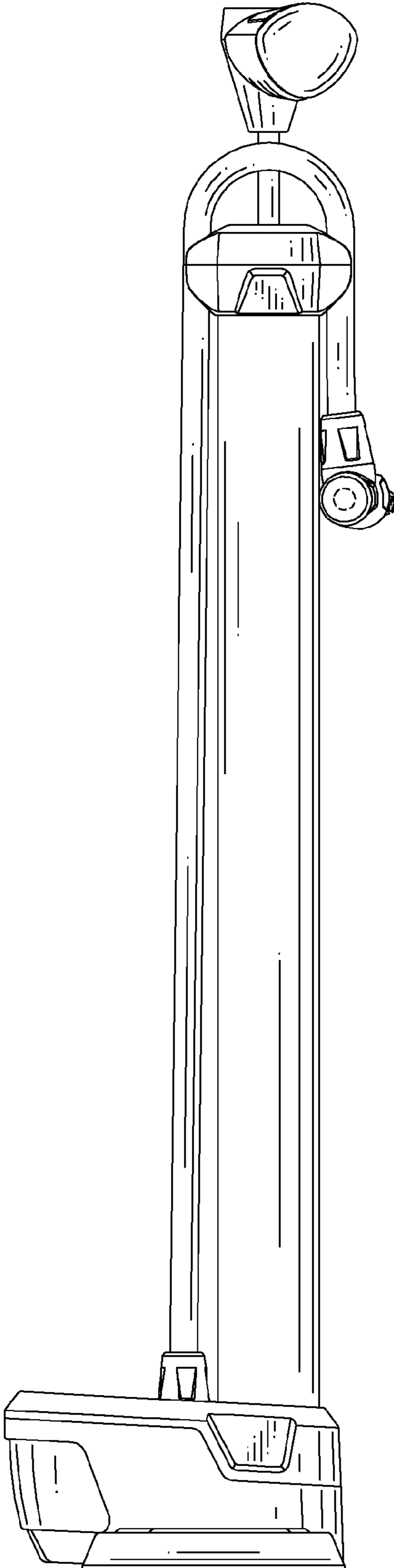


FIG. 4

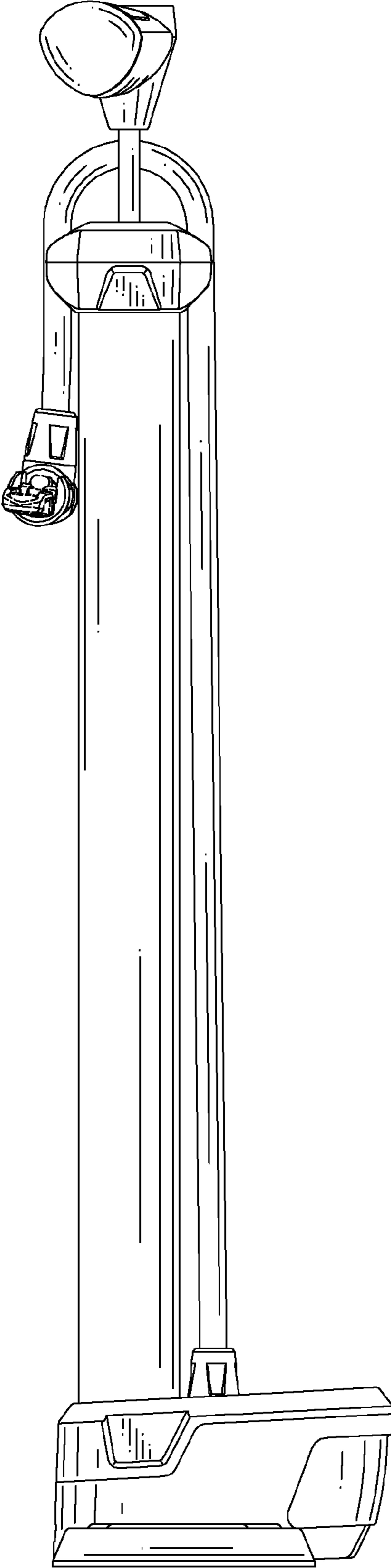


FIG. 5

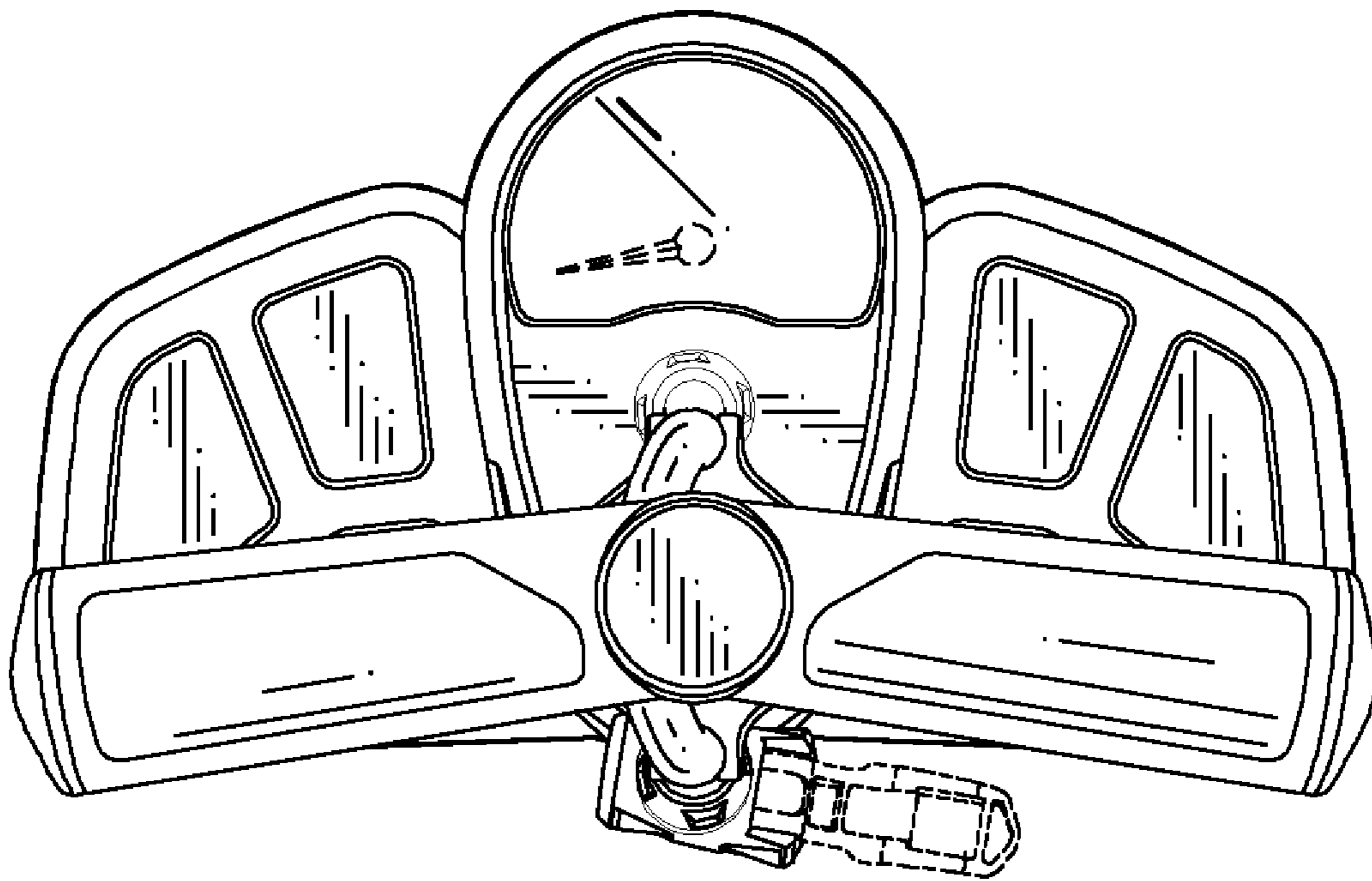


FIG.6

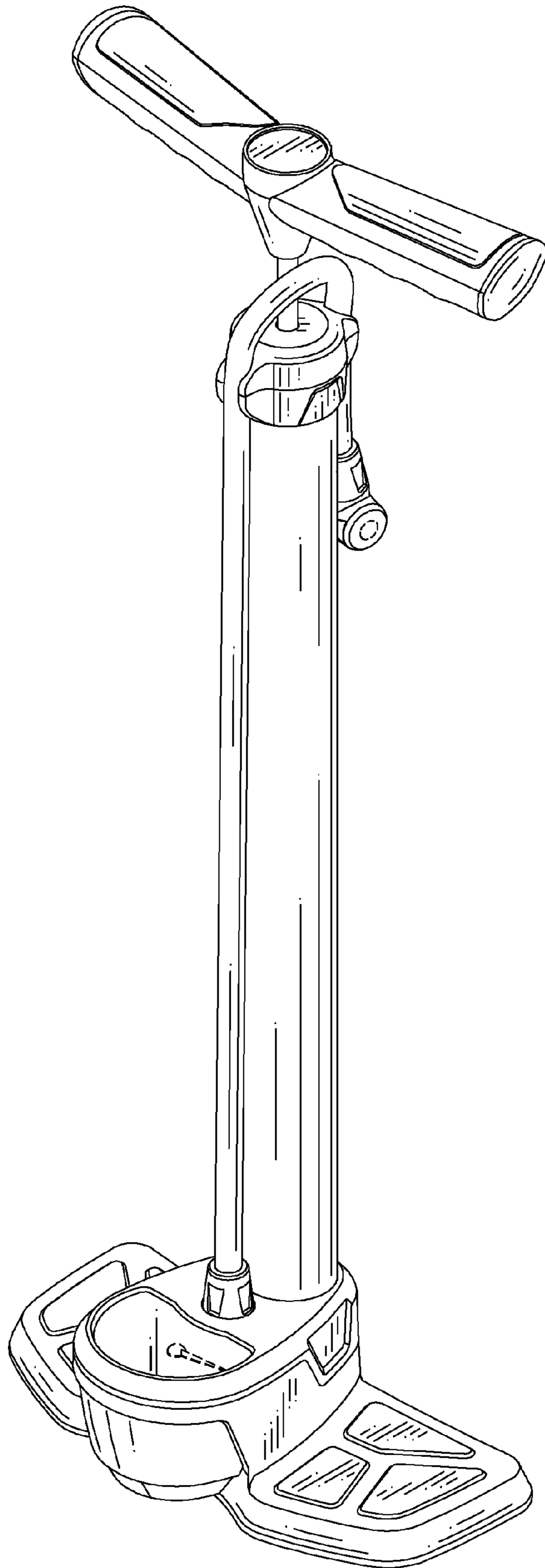


FIG.7

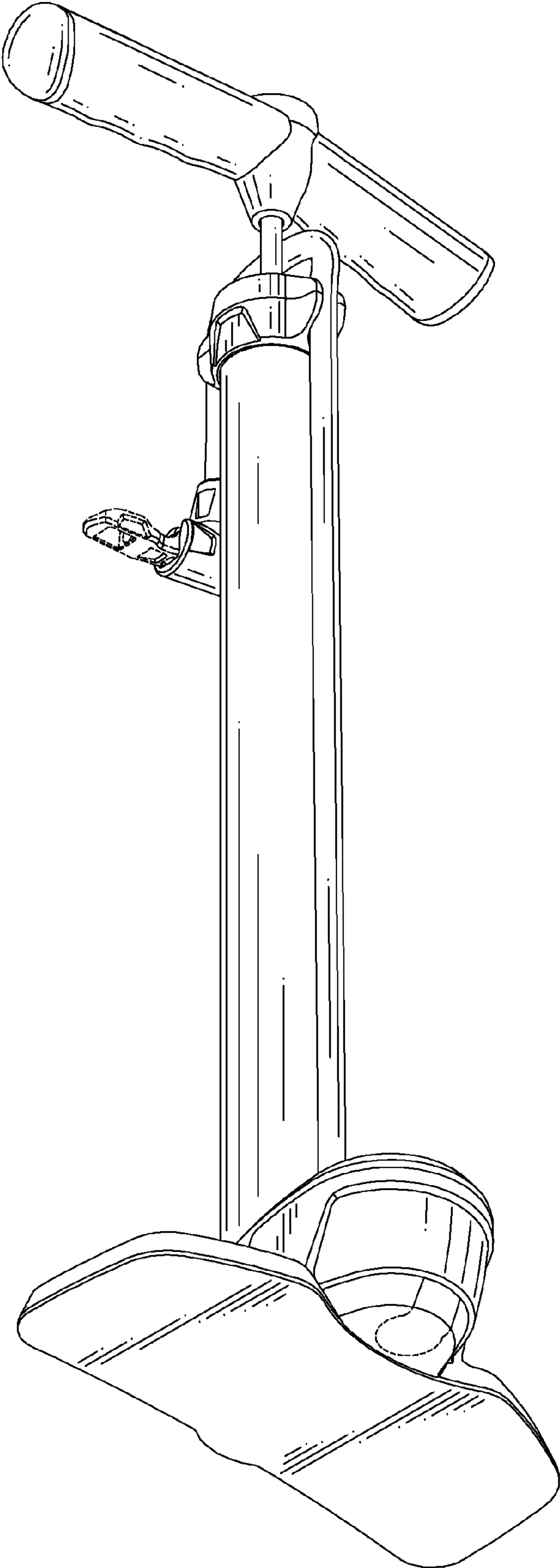


FIG.8